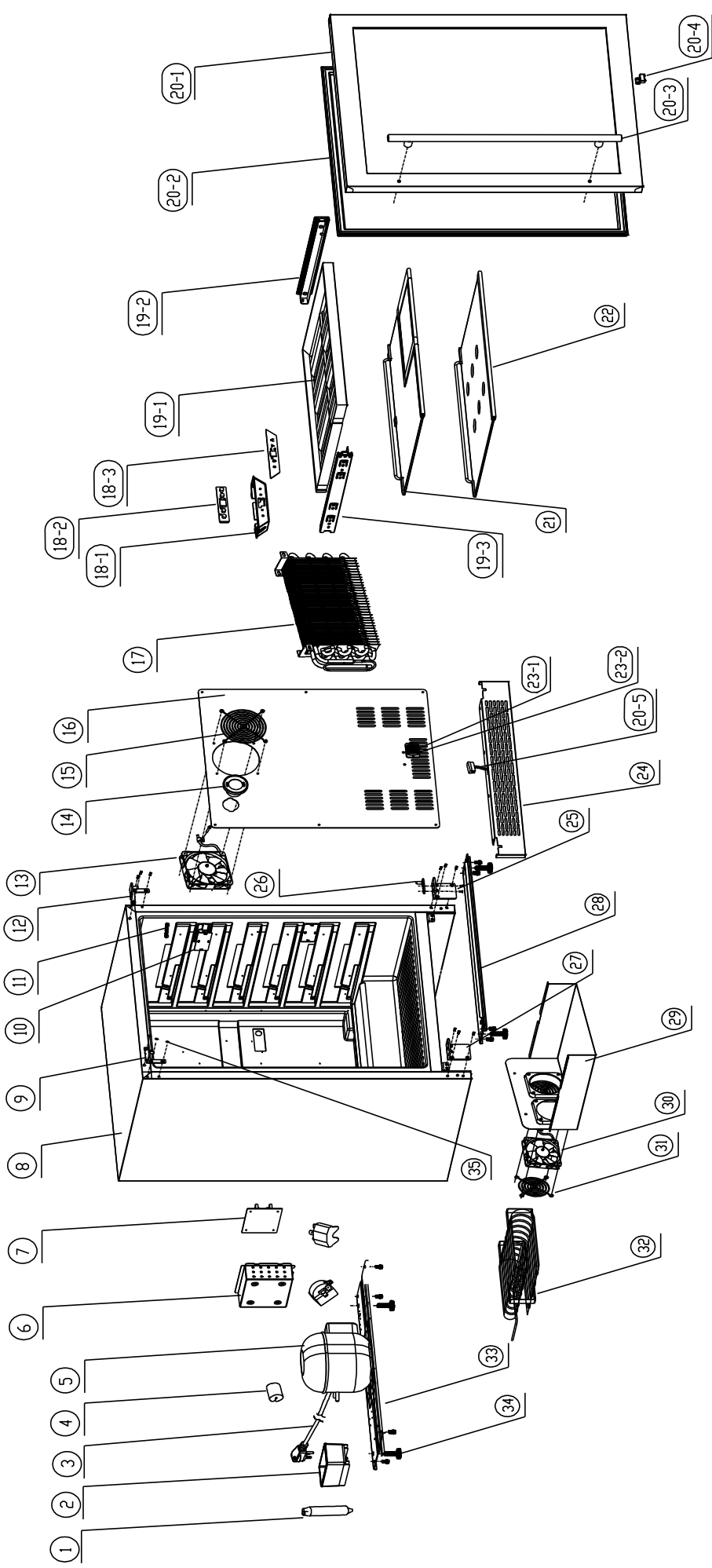


PRB24C01BG

Presrv™ Single Zone Beverage Cooler

ZEPHYR



PRB24C01BG

Ref #	Part #	Description	Qty.
1	56030007	Dryer Filter	1
2	56130037	Drip Tray	1
3	11030135	Power Cord	1
4	56220042	Anti-Vibration Gasket	1
5-1	12160009	Compressor	1
5-2	11050016	Compressor Relay (SN10 - SN14)	1
5-2	11050024	Compressor Relay (SN15)	1
5-3	11050017	Compressor Starter (SN10 - SN14)	1
5-3	11050025	Compressor Starter (SN15)	1
6	56200102	Main PCB Box	1
7	11010146	Main Power Control Board	1
9	54180012	Upper Left Hinge (SN10)	1
9	54180040	Upper Left Hinge (SN11+)	1
10	52150013	LED Light Cover	5
11	12010010	Tri Color LED Light	5
12	54180013	Upper Right Hinge (SN10)	1
12	54180041	Upper Right Hinge (SN11+)	1
13	12130036	Fan	1
14	Z0F-C004	Carbon Filter	1
15	54210021	Fan Cover	1
16	50140167	Rear Internal Panel	1
17-1	54240009	Evaporator	1
17-2	11050022	Sensor NTC3	1
18-1	56200103	Display Box	1
18-2	11010105	Display Control Board	1
18-3	52050018	Display Cover	1
19-1	50150017	Wooden Shelf w/Stainless Trim (7 Bottle)	1
19-2	50320050	Sliding Rail, Right	1

19-3	50320051	Sliding Rail, Left	1
20-1	50230008	Door (SN10)	1
20-1	50230016	Door (SN11+)	1
20-2	56220043	Door Gasket	1
20-3	50280006	Door Handle	1
20-4	54220010	Magnet	1
20-5	11040031	Magnet Switch	1
20-6	01020046	Screw, Door Magnet	2
20-7	54140293	Door Stopper (SN11+)	1
21	50150016	Retractable Glass Shelf	1
22	50150015	Glass Shelf w/Trim	1
23-1	11050023	Sensor NTC1 & NTC2	2
23-2	54210022	Sensor Cover	1
24	50260006	Kick Panel	1
25	54180014	Lower Right Hinge (SN10)	1
25	54180048	Lower Right Hinge (SN11+)	1
26	54190055	Door Axis Plate (SN10)	1
26	54190090	Door Axis Plate (SN11+)	1
27	54180015	Lower Left Hinge (SN10)	1
27	54180049	Lower Left Hinge (SN11+)	1
28	54140272	Cabinet Bracket	1
29	56210087	Condensor Cover	1
30	12130037	Fan	2
31	54210023	Fan Cover	2
32	54270003	Condensor	1
33	54140273	Compressor Bracket	1
34	50350006	Leveling Leg	4
35	56210088	Decorative Hole Cover	3
	01020047	Lower Hinge Screw, Hex Head, M5*10mm	2
	01020048	Lower Hinge Screw, Hex Head, M5*16mm	6