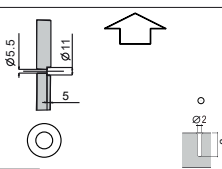
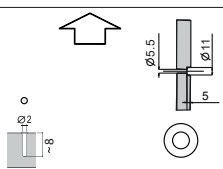
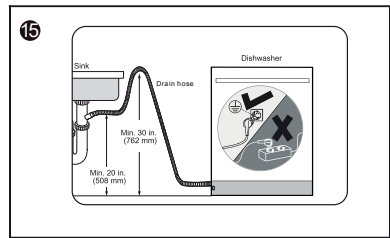
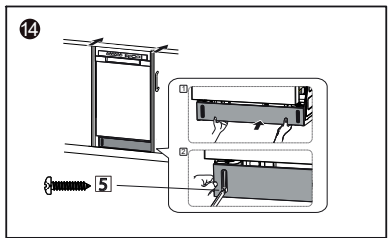
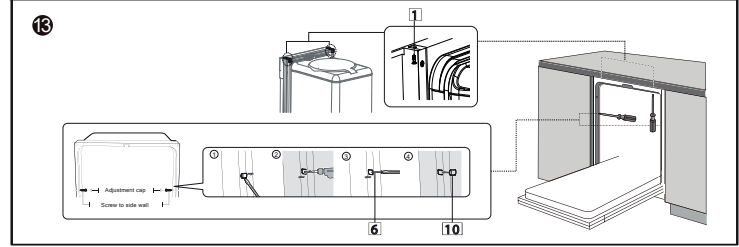
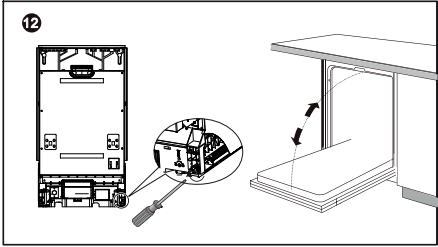
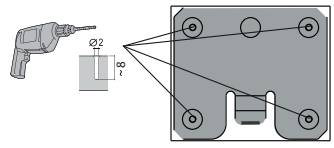
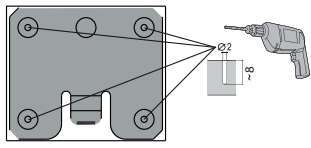
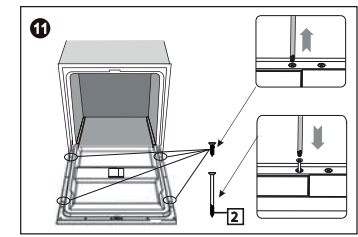
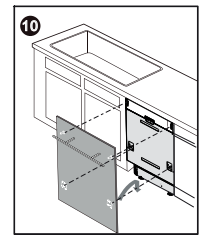
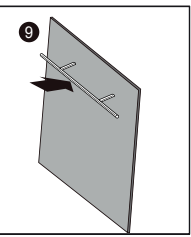
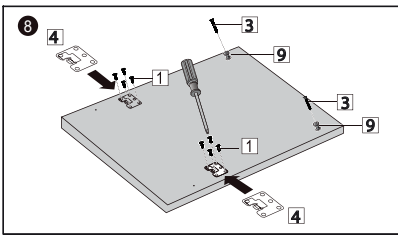
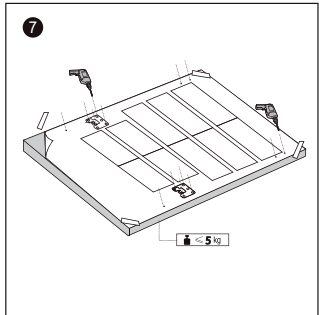
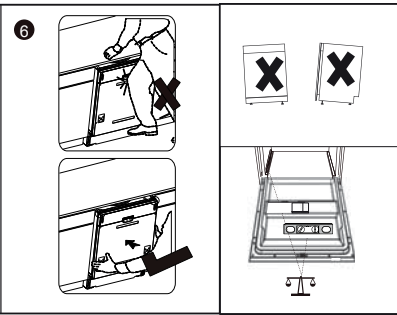
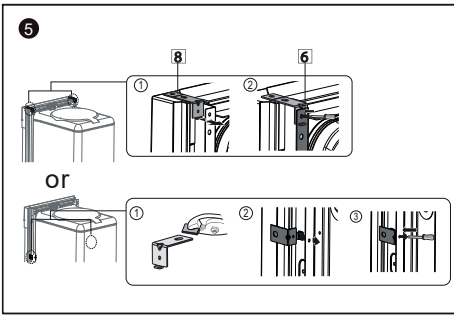
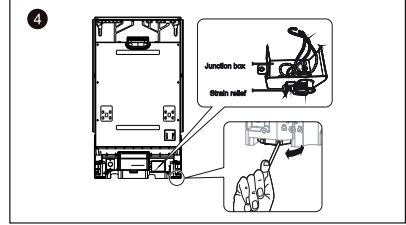
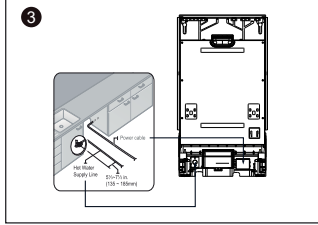
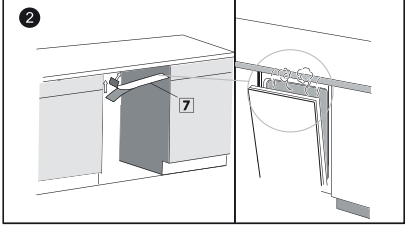
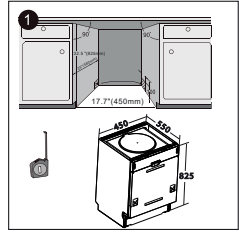


434 ± 1 mm



- |   |          |     |    |   |   |  |
|---|----------|-----|----|---|---|--|
| 1 | ST4X14   | X10 | 7  | X | 1 |  |
| 2 | ST3.5X45 | X4  | 8  | X | 2 |  |
| 3 | ST3.5X25 | X2  | 9  | X | 2 |  |
| 4 |          |     | 10 | X | 2 |  |
| 5 | ST3.9X13 | X2  | 11 | X | 1 |  |
| 6 | ST3.5X9  | X2  |    |   |   |  |



720 ± 1 mm

3071095

680mm

690mm

700mm

710mm