

## PREMIERE DESIGNER SERIES

### Topmount Single Bowl Model PMS-2522



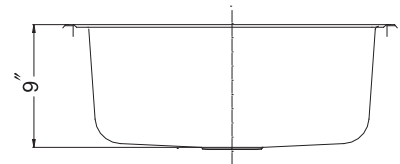
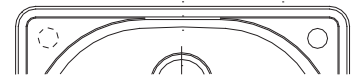
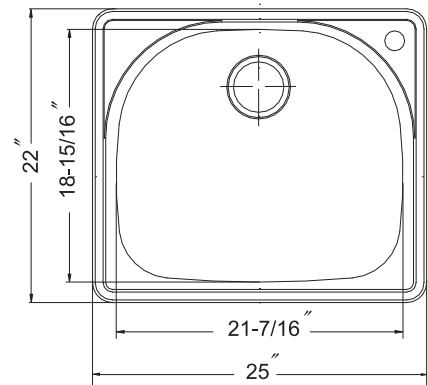
PMS-2522

#### FEATURES

- Premium grade T-304 stainless steel
- 9" depth • 18 gauge
- 1 hole standard, optional 2 holes
- StoneGuard™ undercoating over Super-Silencer pad
- Lustrous satin with highlighted rim
- Fits 36" sink base • 3-1/2" drain opening
- Supplied with fasteners and instructions
- Complies with ASME A112.19.3-2000, UPC®
- Lifetime Limited Warranty



ASME A112.19.3-2000



#### OPTIONAL ACCESSORIES

Bottom Grid: BG-2400

Cutting Board : CB-2400

Rinsing Basket: RB-2400

Strainer: 190-9180

OVERALL DIMENSIONS	EACH BOWL	CUTOUT SIZE	PACKAGING*	WEIGHT*
25" x 22"	21-7/16" x 18-15/16"	24-1/4" x 21-1/4"	1/16/20pcs.	18/300/340 lbs.

\*Standard packaging: Single boxed /Pallet of single boxed/Pallet of bulk pack.  
All dimensions are in inches. Specifications subject to change without notice.

Project/Job name \_\_\_\_\_

Architect/Engineer \_\_\_\_\_

Contractor \_\_\_\_\_

Model \_\_\_\_\_ Q'ty \_\_\_\_\_

Notes \_\_\_\_\_

#### Installation profile

