

**PREMIERE DESIGNER SERIES**

**Topmount 70/30 Double Bowl**

**Model PMC-3322SR** as shown

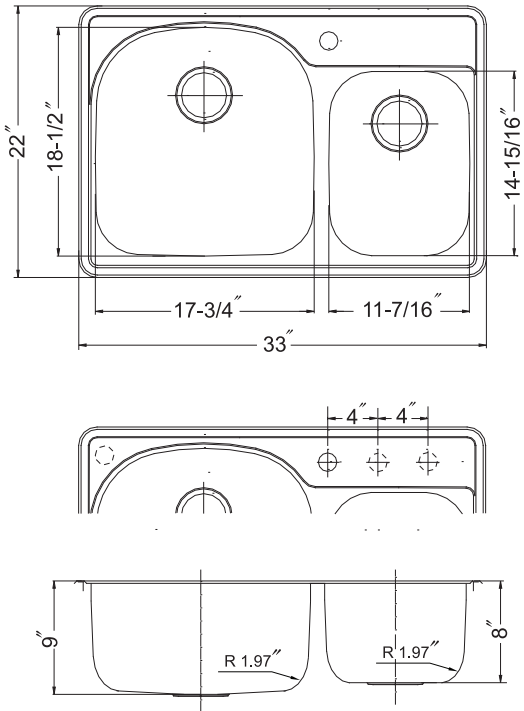
**PMC-3322SL** small bowl left



**FEATURES**

- Premium grade T-304 stainless steel
- 9" & 8" depth • 18 gauge
- 1 hole standard, optional 2, 3, or 4 holes
- StoneGuard™ undercoating over Super-Silencer pad
- Lustrous satin with highlighted rim
- Fits 36" sink base • 3-1/2" drain opening
- Supplied with fasteners and instructions
- Complies with ASME A112.19.3-2000, UPC®
- Lifetime Limited Warranty

PMC-3322SR



**OPTIONAL ACCESSORIES**

- Bottom Grid: BG-1400 & BG-3200
- Colander : CL-1420
- Cutting Board : CB-3200
- Strainer: 190-9180

OVERALL DIMENSIONS	EACH BOWL	CUTOUT SIZE	PACKAGING*	WEIGHT*
33" x 22"	17-3/4" x 18-1/2" 11-7/16" x 14-15/16"	32-1/4" x 21-1/4"	1/14/12 pcs.	25/400/300 lbs.

\*Standard packaging: Single boxed /Pallet of single boxed/Pallet of bulk pack.  
All dimensions are in inches. Specifications subject to change without notice.

Project/Job name \_\_\_\_\_

Architect/Engineer \_\_\_\_\_

Contractor \_\_\_\_\_

Model \_\_\_\_\_ Q'ty \_\_\_\_\_

Notes \_\_\_\_\_

**Installation profile**

