

# ELKAY® SPECIFICATIONS

## Pursuit™ Laundry/Utility Free Standing Sink Model PLA8136

### GENERAL

Highest quality sink formed of #14 gauge, type 316 nickel bearing stainless steel. Free standing.

### DESIGN FEATURES

Bowl Depth: 14".

Coved Corners: 1/4" vertical and horizontal radius.

Finish: Exposed surfaces are hand blended to a lustrous satin finish.

Underside: Sound dampening pad applied to underside.

Backsplash: Full length 8" high, 2" thick.

Support: 304 stainless steel, 1-5/8" O.D. tubular legs, #16 gauge wall thickness. With adjustable bullet feet.

### OTHER

Drain Opening: 3-1/2".

NOTE: Unless otherwise specified, sink is furnished with 2 1-1/2" diameter faucet holes as shown.

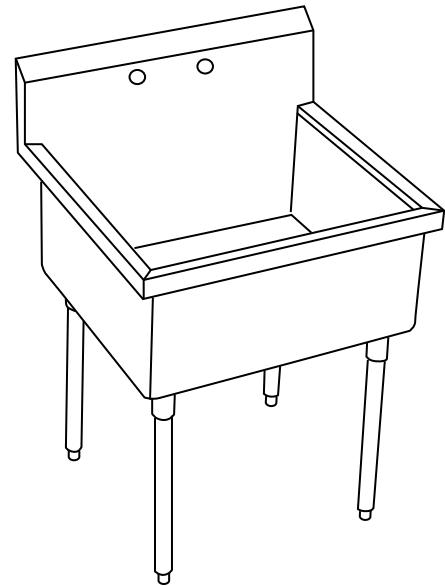
NOTE: Professional installation recommended.

### OPTIONAL ACCESSORIES

Drains: LK335, LK372.

Rinsing Basket: LKWERBSS.

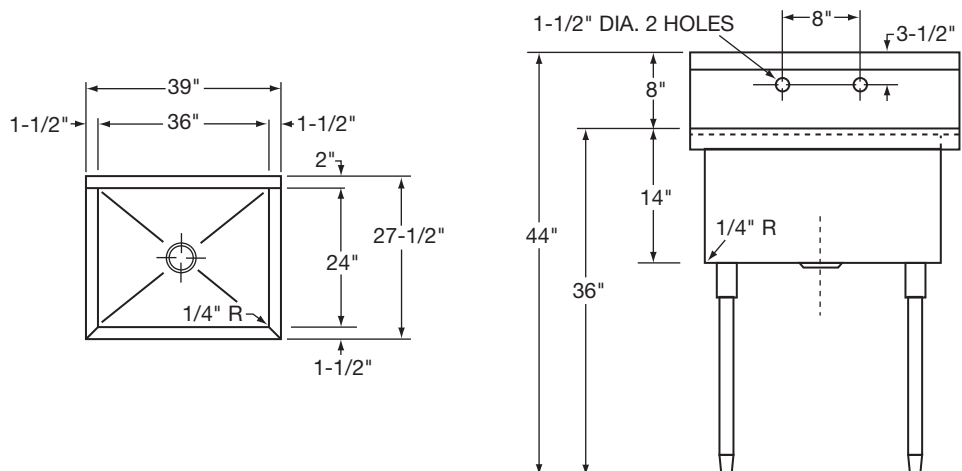
Utensil Caddy for Rinsing Basket: LKWUCSS.



### SINK DIMENSIONS (INCHES)\*

Model Number	Overall		Inside Compartment		
	L	W	L	W	D
PLA8136	39	27 1/2	36	24	14

\*Length is left to right. Width is front to back.



**INDICATE NUMBER OF FAUCET HOLES WHEN PLACING ORDER. (NON-STANDARD FAUCET AND OVERFLOW DRILLING LOCATIONS ARE AVAILABLE. SPECIFY ON DRAWING ABOVE.)**

ALL DIMENSIONS IN INCHES, TO CONVERT TO MILLIMETERS MULTIPLY BY 25.4.

In keeping with our policy of continuing product improvement, Elkay reserves the right to change product specifications without notice.

This specification describes an Elkay product with design, quality and functional benefits to the user. When making a comparison of other producers' offerings, be certain these features are not overlooked.

**Elkay**

elkayusa.com

2222 Camden Court  
Oak Brook, IL 60523

Printed in U.S.A.  
©2007 Elkay

(12/07)

1-290