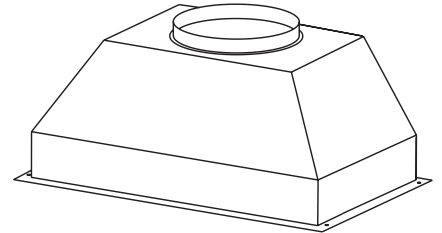


PKEX22 RANGE HOOD



Exterior blower provides higher exhaust options, ranging from 600 to 1500 CFM (purchased separately).

Specially designed to be installed in custom canopy hoods for use over residential commercial-style cooking surfaces.

FEATURES

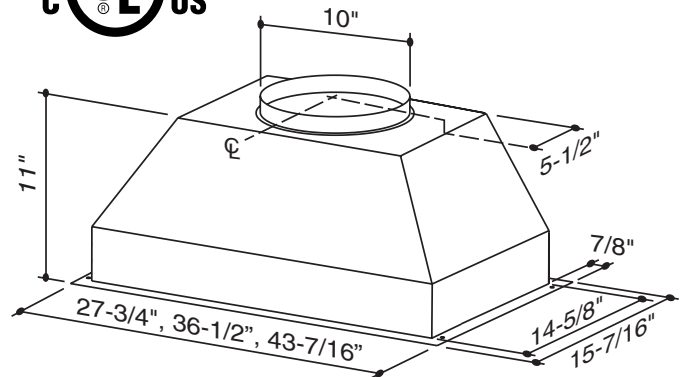
- Italian design
- Cabinet mount – custom application
- Finish: 430 Stainless Steel
- Width: 36-1/2", 43-7/16"
- 10" round duct connector/backdraft damper
- Halogen lighting (2 bulbs on PKEX2239 or 3 bulbs on PKEX2245, included. Type GU10, MR16 shielded, 120 volt, 50 watts max.)
- Electronic, push-button controls with 4 speeds, 3 light settings, 10-minute delay off and 24-hour filter clean indicator
- Exterior mounted blower available in either 600, 900, 1200, or 1500 CFM, (purchased separately)
- Easily accessible, dishwasher-safe aluminum/stainless steel hybrid baffle filters
 - Less restrictive than traditional baffle filters
 - Less mess/dripping than mesh filters
- For indoor use only

OPTIONS (Not included with hood. Purchase separately.)

- 10" to 8" reducer (Model 472)
- 8" to 10" transition (Model 414)
- Stainless liner (Model Nos. AL3036, AL3042, AL3948, AL3954, AL4554, AL4560)
- Ambient light panel (Model Nos. ALP36, ALP42, ALP48, ALP54, ALP60)
- Interior blower version (PK22) available, providing 1100 CFM of exhaust
- Remote control (Model ACR2 or ACR3)

SPECIFICATIONS

WITH OPTIONAL BLOWER MODELS	BLOWER CFM	VOLTS	AMPS	DUCT
EB6	600 max.	120	1.4 (lights only) + 6.0 max. (blower only)	10-in. round at the hood. See blower specs for duct requirements.
EB9	900 max.			
EB12	1200 max.			
EB15	1500 max.			
ILB3	280 max.			
ILB6	600 max.	attic installed inline blowers		
ILB9	800 max.			
ILB11	1100 max.			



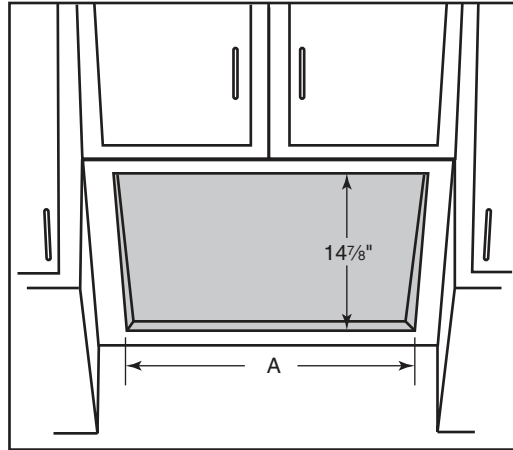
Mount range hood so bottom of hood is 24" to 30" above cooking surface.

BEST Hartford, Wisconsin www.BestRangeHoods.com 800-558-1711
 BEST Drummondville, QC, Canada www.BestRangeHoods.com 866-737-7770

REFERENCE	QTY.	REMARKS	Project
			Location
			Architect
			Engineer
			Contractor
			Submitted by Date

PKEX22 SERIES CABINET CUTOUT DIMENSIONS

POWER PACK WIDTH	A
30"	26 $\frac{3}{16}$ "
39"	34 $\frac{15}{16}$ "
45"	41 $\frac{7}{8}$ "



PKEX22 SERIES SUPPORT AND MOUNTING SCREWS

Two of the six no. 8-18 x 1 $\frac{1}{4}$ " provided chrome plated screw can be used to support the hood during installation.

Place the power pack inside the custom hood and insert both side screws.

The power pack can now be secured to the custom hood without having to hold it in place.

