

PHS700AYFS

GE Profile™ ENERGY STAR® 30" Smart Slide-In Induction and Convection Range with No Preheat Air Fry and EasyWash™ Oven Tray

DIMENSIONS AND INSTALLATION INFORMATION (IN INCHES)

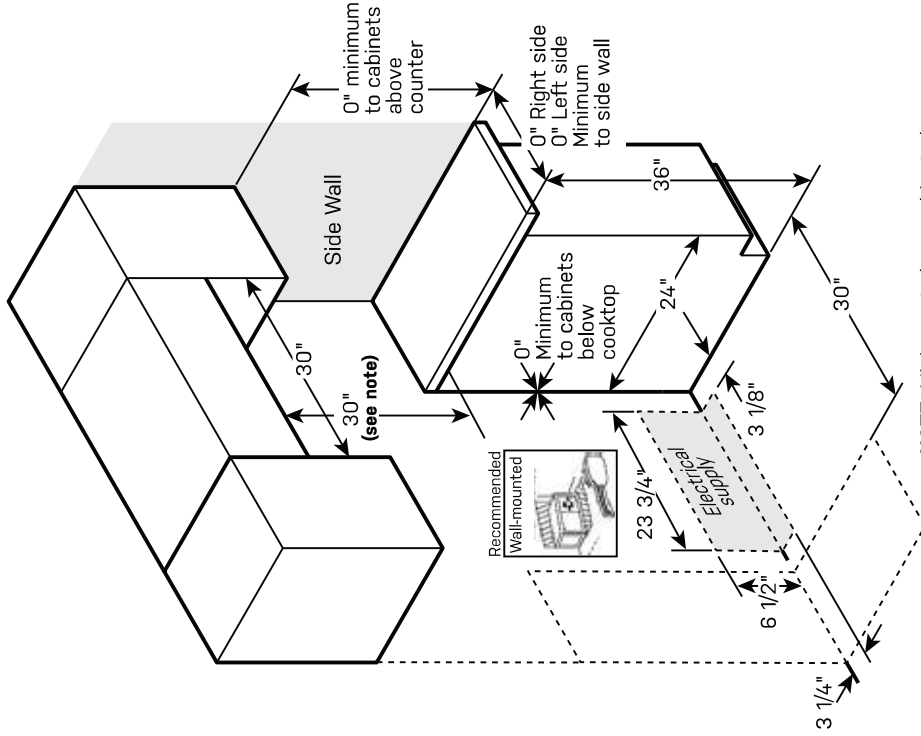
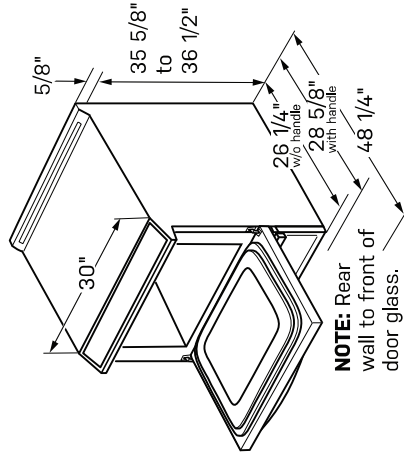
RECEPTACLE LOCATIONS: Locally approved flexible service cord or conduit must be used because terminals are not accessible after range installation. See shaded area in drawing for location of electrical outlet box. Recommended outlet locations allow range to be installed directly against rear wall.

NOTE: This appliance has been approved for 0" spacing to adjacent surfaces above the cooktop. However, a 6" minimum spacing to surfaces less than 15" above the cooktop and adjacent cabinet is recommended to reduce exposure to steam, grease splatter and heat.

INSTALLATION INFORMATION: Before installing, consult installation instructions for current dimensional data and additional requirements.

KW RATING	
240V	12.3
208V	10.1
BREAKER SIZE	
240V	40 Amps†
208V	40 Amps†

†NOTE: Check local codes for required breaker size.



For answers to your Monogram, Café™, GE Profile™ or GE Appliances product questions, visit our website at geappliances.com or call GE Answer Center® Service, 800.626.2000.



PHS700AYFS

GE Profile™ ENERGY STAR® 30" Smart Slide-In Induction and Convection Range with No Preheat Air Fry and EasyWash™ Oven Tray

FEATURES AND BENEFITS

INDUCTION COOKTOP – Enjoy fast, efficient and responsive cooking with induction, which directly heats the pan, allowing for more precise temperature control while keeping the surrounding glass surface cooler and easier to clean.

BUILT-IN WIFI, POWERED BY SMARTHQ™ APP – Connect, control and manage your oven from anywhere with your smartphone or tablet (select features require WiFi connection).

NO PREHEAT AIR FRY – Cook healthier, crispier versions of your favorite foods in less time, thanks to an air fryer right in your oven that doesn't require preheating.

EASYWASH™ OVEN TRAY – Revolutionize oven cleaning with the EasyWash™ Oven Tray. This enameled tray can be effortlessly removed for quick rinsing in the sink, or for larger messes, fits in our GE Profile™ or GE Appliances dishwashers.

GRIDDLE ZONE – Create the perfect place for a griddle, grill or other large cookware with two burners that work together to create a heated griddle zone right on the cooktop.

POWERBOIL™ ELEMENTS – Boil water faster thanks to induction elements that immediately heat your pan, not the cooktop surface.

CONVECTION – This convection oven has a rear fan that circulates hot air, ensuring more even browning and cooking results.

EXPRESS PREHEAT – Get food on the table quicker thanks to a fast-preheat oven. In just 7 minutes*, you have a preheated oven.

NO PREHEAT FRESH REHEAT – Perfect for leftovers from the night before, the to-go box from your favorite restaurant or refreshing soggy fries to ideal crispiness, this no preheat mode saves you time and delivers flawless results.

NO PREHEAT PIZZA – Specifically designed to cook your frozen pizza, this no preheat option saves time and ensures perfect pizza from the crust to the toppings.

GE PROFILE CONNECT+ – Keep your oven up to date with GE Profile Connect+. Download software upgrades to ensure you always have the latest features, like new Air Fry modes, giving you access to continuous improvements and enhanced cooking experiences.

COOKWARE DETECTION – This induction cooktop detects when your cookware is removed from the cooking surface and automatically shuts off the active burner, helping you stay worry free.

FIT GUARANTEE – Replace your old 30" free-standing range with a new 30" slide-in model. Profile slide-in ranges are guaranteed for an exact fit or GE Appliances will pay up to \$300 toward modifications.

DUAL ELEMENT OVEN – Produce great results with every bake thanks to upper and lower elements that provide rapid, even heat.

OVEN STORAGE DRAWER – The removable oven storage drawer offers convenient storage for cookware and other kitchen accessories.

PHS700AYFS – Fingerprint Resistant Stainless Steel



*Preheats oven in just 7 minutes, bake mode to preheat beep, 350 degrees, one standard rack.

