

# PHB915SD

## GE Profile™ 30" Free-Standing Induction Range with Warming Drawer

### Dimensions and Installation Information (in inches)

KW Rating	
240V	12.2
208V	9.2
Breaker Size	
40 Amps†	

†**Note:** Check local codes for required breaker size.

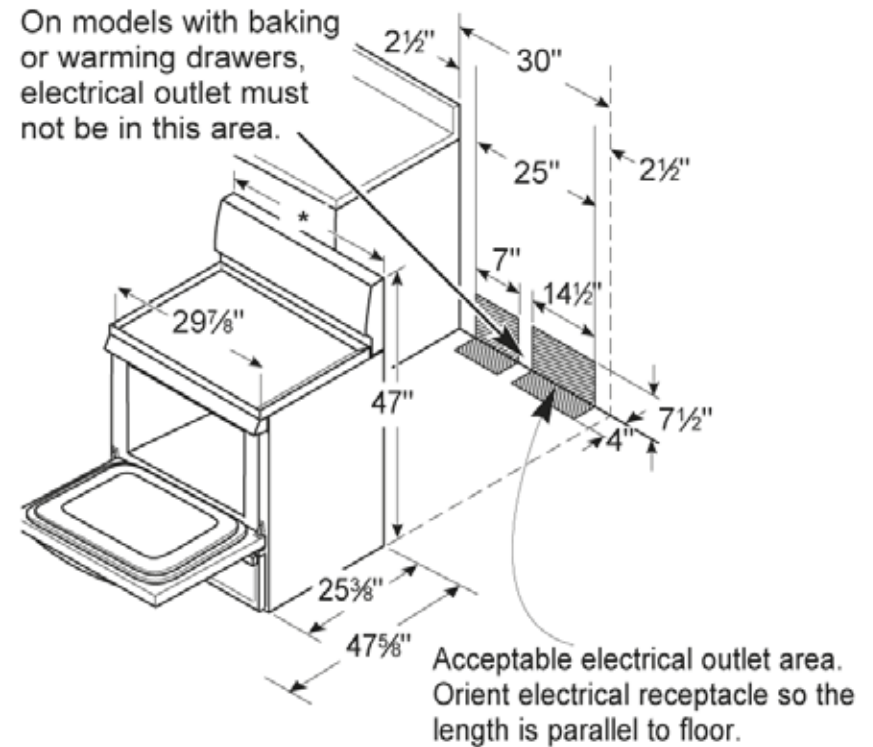
Effective January 1, 1996, the National Electrical Code requires that new construction (not existing) utilize a 4-conductor connection to an electric range.

#### Receptacle Locations

Locally approved flexible service cord or conduit must be used because terminals are not accessible after range installation. See shaded area in drawing for location of electrical outlet box. Recommended outlet locations allow range to be installed directly against wall.

**Note:** 30" ranges conform to U.L. requirements for 0" spacing from adjacent walls below countertops. To reduce possibility of scorching walls, engineering recommends a minimum of 1-1/2" spacing to allow for possible extended, high-heat, no-load heating element operation.

**Installation Information:** Before installing, consult installation instructions packed with product for current dimensional data.



**NOTE:** Use a 4' power cord to prevent interference with the storage drawer. Power cords 4 1/2' to 6' long may have to be dressed to allow for proper drawer closing.

For answers to your Monogram®, GE Profile™ or GE® appliance questions, visit our website at [geappliances.com](http://geappliances.com) or call GE Answer Center® service, 800.626.2000.



All GE ranges are equipped with an Anti-Tip device. The installation of this device is an important, required step in the installation of the range.



Listed by Underwriters Laboratories

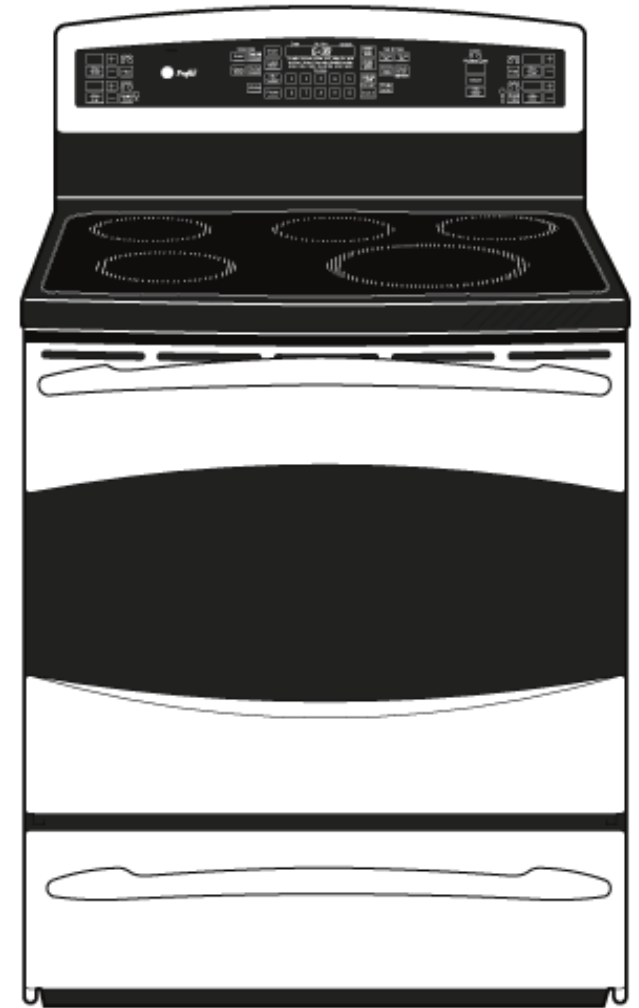


# PHB915SD

## GE Profile™ 30" Free-Standing Induction Range with Warming Drawer

### Features and Benefits

- Induction cooktop technology - Innovative, fast, efficient cooking
- PreciseAir™ convection system - A reversing fan circulates heat and air for evenly browned and baked foods
- Warming drawer - The convenient drawer keeps foods warm and ready to serve
- Heavy-duty roller rack - Provides easy access to oven interior
- Self-clean with steam clean option - Gives you two easy ways to clean baked-on food and spills, so you can pick the one that fits your lifestyle
- NextStep controls - Knob-free controls illuminate to lead through the control setting process
- Slow cook mode - Provides ideal conditions for slow cook meals
- Warm mode - Help keep just-cooked foods warm and at the ideal serving temperature
- 5.3 cu. ft. oven capacity - Enough room to cook an entire meal at once
- Black gloss oven interior - Adds a stylish touch to the kitchen
- Model PHB915SDSS - Stainless steel



For answers to your Monogram®, GE Profile™ or GE® appliance questions, visit our website at [geappliances.com](http://geappliances.com) or call GE Answer Center® service, 800.626.2000.



imagination at work



All GE ranges are equipped with an Anti-Tip device. The installation of this device is an important, required step in the installation of the range.