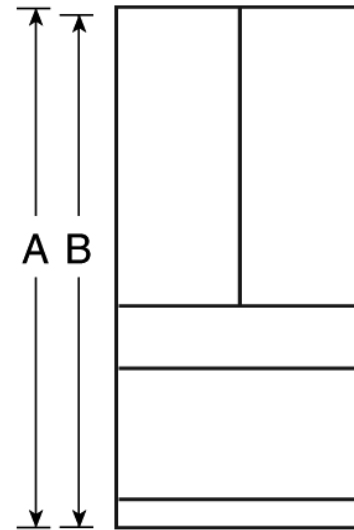


PGSS5PJZ

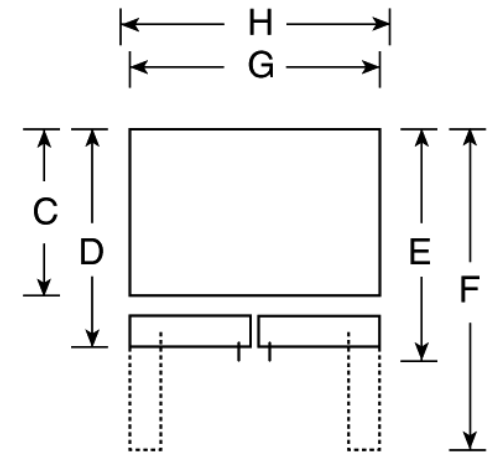
GE Profile™ 24.9 Cu. Ft. French Door Refrigerator with Double Freezer Drawers and External Dispenser

Dimensions and Installation Information (in inches)

Overall Dimensions	Height to top of hinge (in.) A	69-5/8
	Height to top of case (in.) B	69
	Case depth without door (in.) C	28
	Case depth less door handle (in.) D	32-1/8
	Case depth with door handle (in.) E	35
	Depth with fresh food door open 90° (in.) F	47-1/2
	Width (in.) G	35-3/4
Air Clearances	Width with door open 90° inc. door handle (in.) H	40-7/8
	Each side (in.)	1/8
	Top (in.)	1
	Back (in.)	1



Front View



Top View

For answers to your Monogram,® GE Profile™ or GE® appliance questions, visit our website at ge.com or call GE Answer Center® service, 800.626.2000.



imagination at work

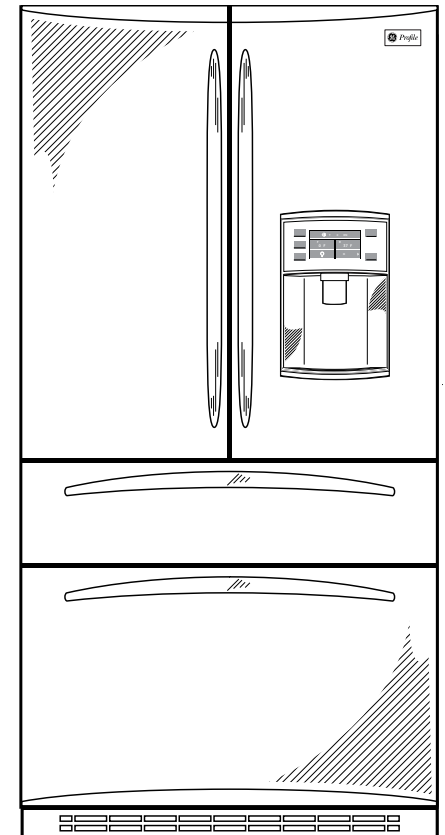


PGSS5PJZ

GE Profile™ 24.9 Cu. Ft. French Door Refrigerator with Double Freezer Drawers and External Dispenser

Features and Benefits

- Stainless steel doors with top and bottom bevels - Step up to a striking finish with contoured doors that accentuates kitchen décor
- Armoire style double drawer freezer system - Two freezer drawers make it simple to find exactly what you're looking for
- External water dispenser with LCD controls - Dispenses filtered water and makes it easy to monitor all the functions of the refrigerator
- ClimateKeeper™™ system - Electronic controls, multiple electronic sensors and a multi-flow air system help provide even cooling
- Ramp-up LED lighting - Find exactly what you've been looking for under crisp, clear lighting
- Factory-installed icemaker with water filtration system - Refrigerator comes ready to automatically create filtered ice
- Freshness Center™ with full-width drawer - Maintain fresh tastes with two humidity-controlled crispers and a full-width drawer
- In-the-door condiment bin and beverage rack - Cans and condiments are chilled and ready without taking up valuable shelf space
- QuickSpace™ shelf - Tall containers area snap with a quick slide of the retractable shelf
- Multi-level Slide 'n Store™ system - You'll have instant access to frozen foods in three full-extension baskets
- TurboCool™ setting - Restores proper temperature to the refrigerator after frequent door openings
- Secure-close door system - Self-closing doors maintain food freshness and peace of mind
- Adjustable spillproof glass shelves - Raised edges keep small spills from becoming big messes
- Adjustable gallon door bins - Offers ideal space for storing gallon containers in the door
- NeverClean™ condenser - Encased coils take the dirty work out of maintaining your refrigerator
- Model PGSS5PJZSS - Stainless steel



imagination at work