

PGS950SEF

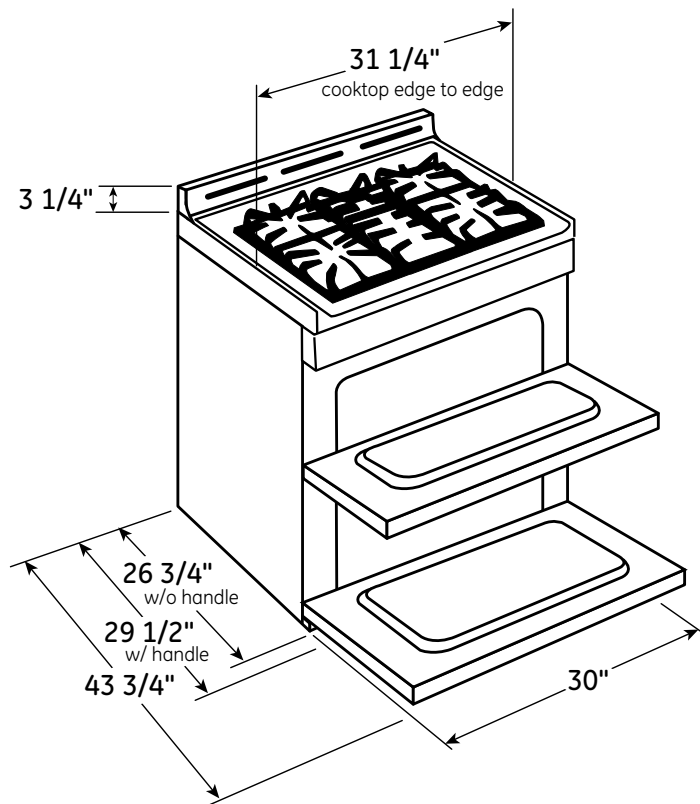
GE Profile™ Series 30" Slide-In Double Oven Gas Range

Dimensions and Installation Information (in inches)

Note: Door handle protrudes 3" from door face. Cabinets and drawers on adjacent 45° and 90° walls should be placed to avoid interference with the handle.

Note: Cabinets installed adjacent to slide-in ranges must have an adhesion spec of at least 194° temperature rating.

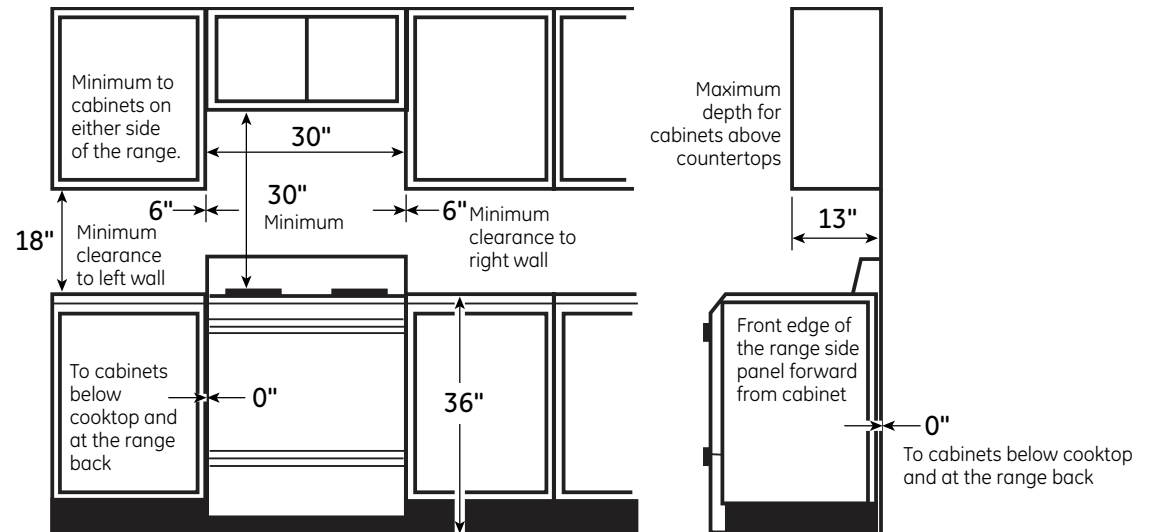
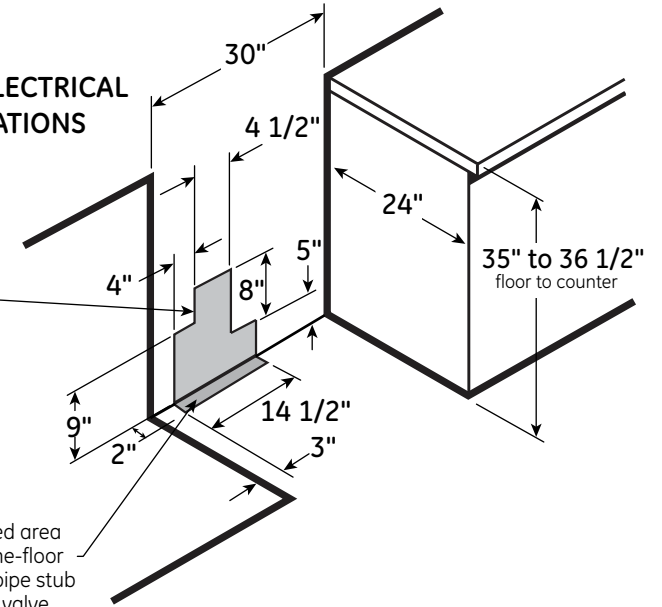
Installation Information: Before installing, consult installation instructions packed with product for current dimensional data.



GAS PIPE AND ELECTRICAL OUTLET LOCATIONS

Recommended area for 120V outlet on rear wall and area for through-the-wall connection of pipe stub and shut-off valve.

Recommended area for through-the-floor connection of pipe stub and shut-off valve.



For answers to your Monogram® or GE® appliance questions, visit our website at geappliances.com or call GE Answer Center® service, 800.626.2000.



*ADA qualified based on Uniform Federal Accessibility Standards



All GE ranges are equipped with an Anti-Tip device. The installation of this device is an important, required step in the installation of the range.

PGS950SEF

GE Profile™ Series 30" Slide-In Double Oven Gas Range

Features and Benefits

- Double Oven 6.8 cu. ft. Total Capacity - Large capacity is ideal for big meals
- 20,000 BTU Tri-Ring Burner - Offers the flexibility of three different burners
- Center Oval Burner - Large oval fifth burner is ideal for griddle or odd-size cookware
- Reversible Cast-Iron Griddle/Grill - Two great ways to cook
- Precise Simmer Burner - Delicate foods don't burn with low, even heat
- Stainless Steel, Deep-Recessed Cooktop - Contains spills for quick and easy cleaning
- Gas Convection Oven - Circulates heat for high-quality results
- Heavy-Duty Self-Clean Roller Rack - Easily access items with racks that glide smoothly
- Dual Broil - Meats and veggies broil evenly
- Black Gloss Oven Interior - Enjoy a clean and sleek appearance
- Model PGS950SEFSS - Stainless steel



imagination at work