

PGF75SCU3



Gas Cooktop, 72 cm (approx. 28"),
Stainless Steel

Modern exclusive Linear design

5 Gas burners:

Front right: 3,600 BTU burner

Back right: 6,200 BTU rapid burner

Central: 13,700 BTU double inset super burner

Back left: 6,200 BTU rapid burner

Front left: 3,600 BTU burner

AISI 304 Stainless Steel cooktop

Ultra low profile base (2/16")

Ergonomic transparent front control knobs

Heavy duty cast iron grates

Full width grates

Sealed burners

Automatic electronic ignition

Safety valves

LP Gas conversion kit included

Gas Inlet/Power supply location: Back right

Voltage rating: 120V / 60Hz / 0.1Amps

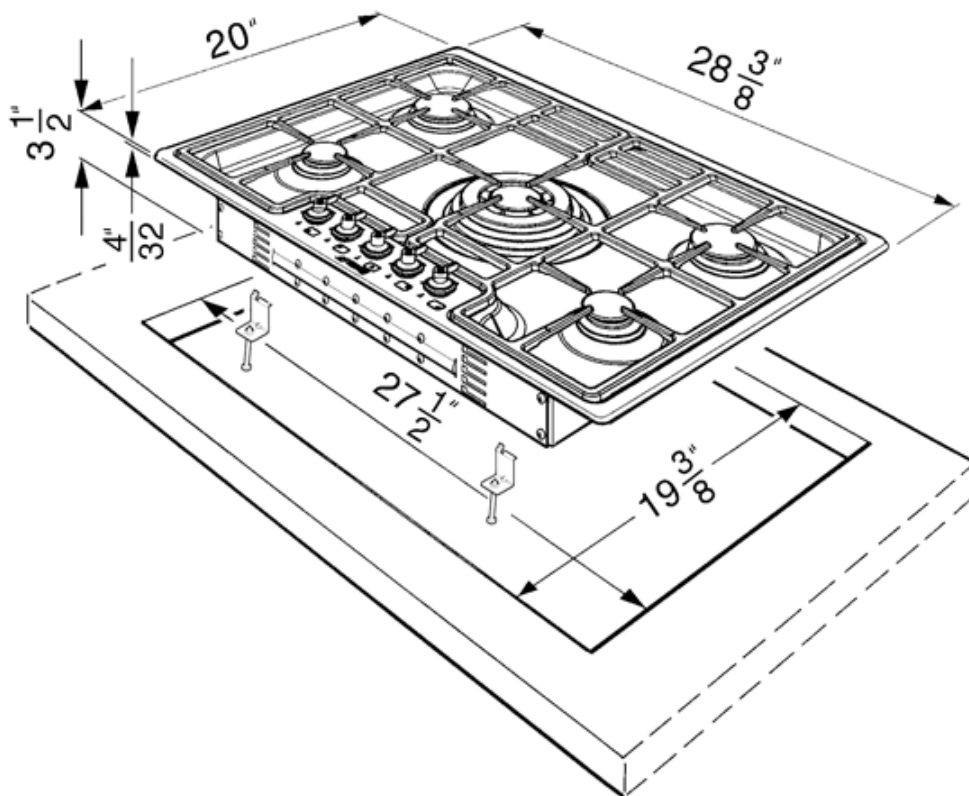
OPTIONS

- WOKGHU - Cast iron wok ring



PGF75SCU3

Gas Cooktop, 72 cm (approx. 28"),
Stainless Steel



SMEG USA INC.
A&D BUILDING
150 EAST 58th STREET
7th FLOOR
NEW YORK, NY, 10155