
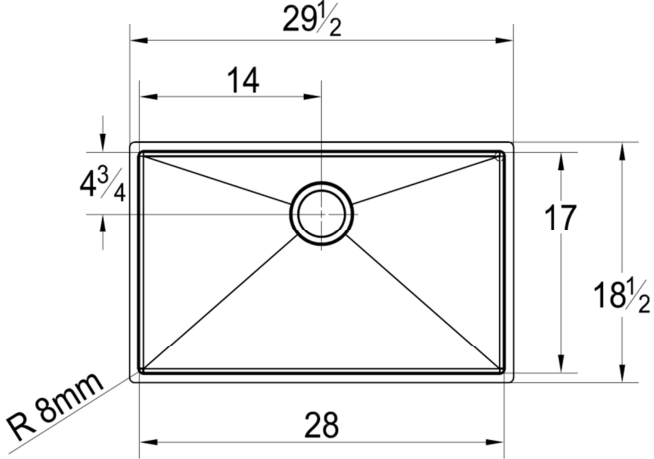
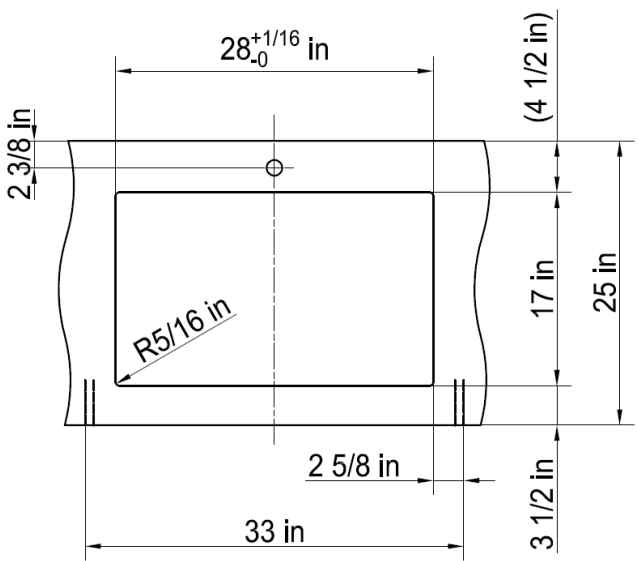


Spec Sheet		PLANAR 8		PEX110-28		FRANKE	
							
Overall Sink Size (OD)	29.5"W x 18.5"D	Bowl Size (ID)	28"W x 17"D				
Bowl Depth (ID)	9.5"	Inside Corner Radius	8mm or 3/8"				
Minimum Cabinet	33"	Material	Type 304, 18GA Stainless Steel 18% Chromium / 10% Nickel				
Installation Type	Undermount	Drain Measurement	3.5"				
Made In	ITALY	Code Approvals	UPC & cUPC				
Weight (lbs)	Packed: 31 lbs Unpacked: 21 lbs	Box Dimensions	39" x 24" x 11.875"				
Optional Accesories	Bottom Grid	PE-28S					
	Cutting Board	PE-40S					
	Colander	PE-70S					
	Strainer Baskets	900 (Chrome) / 900SN (Satin Nickel)					
Sink Includes	Anti-noise pads	11 Pads (adhered to the sink)					
	Clip Fixing System	EL-CLIPS					
	Cut Out Template	 <p><i>For reference only. All templates are meant to be guidelines. It is absolutely critical that you have the sink and any custom sink accessories on site prior to any cut or modification to the countertop. This is the only way to ensure a proper custom cut and installation.</i></p> <p>FRANKE WILL NOT BE RESPONSIBLE FOR ANY ERRORS IN COUNTERTOP PREPARATION AND SINK INSTALLATION.</p>					
Document Revision	July 18, 2014						