
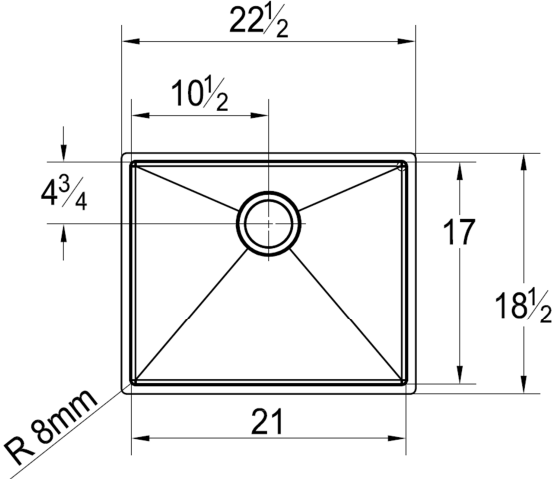
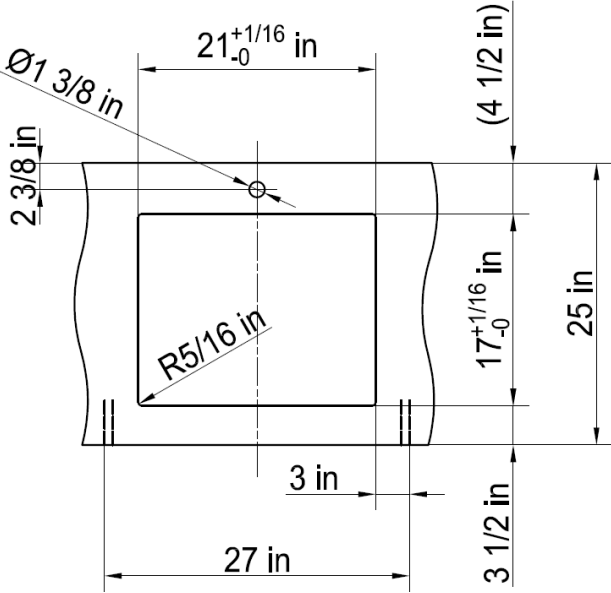


Spec Sheet	PLANAR 8	PEX110-21	FRANKE
			
Overall Sink Size (OD)	22.5"W x 18.5"D	Bowl Size (ID)	21"W x 17"D
Bowl Depth (ID)	9.5"	Inside Corner Radius	8mm or 3/8"
Minimum Cabinet	27"	Material	Type 304, 18GA Stainless Steel 18% Chromium / 10% Nickel
Installation Type	Undermount	Drain Measurement	3.5"
Made In	ITALY	Code Approvals	UPC & cUPC
Weight (lbs)	Packed: 25 lbs Unpacked: 17 lbs	Box Dimensions	28.75" x 24" x 11.875"
Optional Accesories	Bottom Grid	PE-21S	
	Cutting Board	PE-40S	
	Colander	PE-70S	
	Strainer Baskets	900 (Chrome) / 900SN (Satin Nickel)	
Sink Includes	Anti-noise pads	9 Pads (adhered to the sink)	
	Clip Fixing System	EL-CLIPS	
	<p>Cut Out Template</p> <p><i>For reference only. All templates are meant to be guidelines. It is absolutely critical that you have the sink and any custom sink accessories on site prior to any cut or modification to the countertop. This is the only way to ensure a proper custom cut and installation.</i></p> <p>FRANKE WILL NOT BE RESPONSIBLE FOR ANY ERRORS IN COUNTERTOP PREPARATION AND SINK INSTALLATION.</p>		
Document Revision	July 18, 2014		