

# PDWT502PII

## GE Profile™ Dishwasher with SmartDispense™ Technology

Dimensions and Installation Information (in inches)

### Electrical Rating

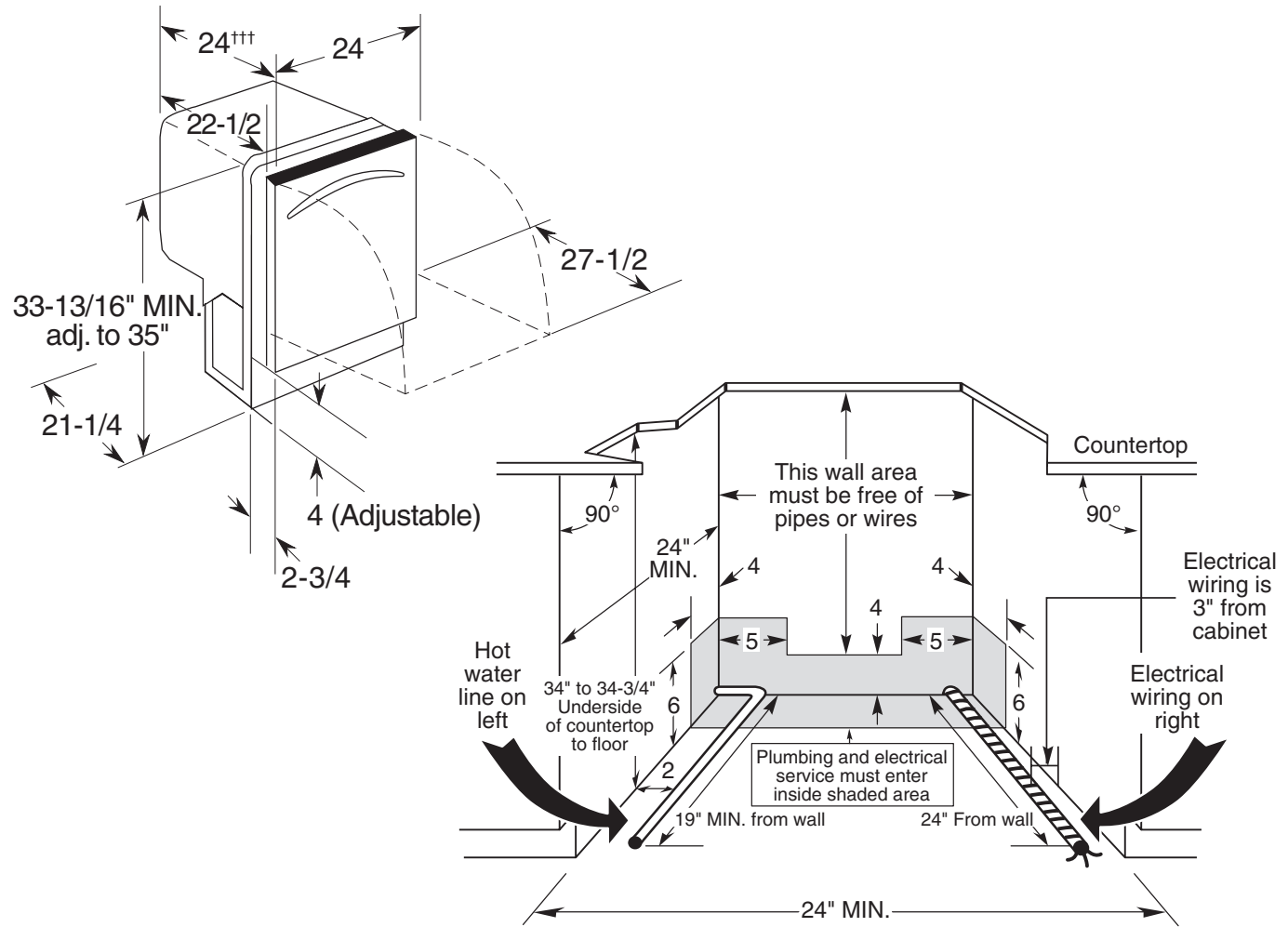
Voltage AC.....	120
Hertz.....	60
Total connected load amperage.....	9.1
Calrod® heater watts max.....	875

For use on adequately wired 120-volt, 15-amp circuit having 2-wire service with a separate ground wire. This appliance must be grounded for safe operation.

Installation Information: Before installing, consult installation instructions packed with product for current dimensional data.

†† Add 3/4" for custom panel and additional room for custom handle

An installation template is packed with these models and may be obtained in advance. Order Pub. No. 5-X063.



For answers to your Monogram® GE Profile™ or GE® appliance questions, visit our website at [ge.com](http://ge.com) or call GE Answer Center® service, 800.626.2000.



imagination at work



Listed by Underwriters Laboratories

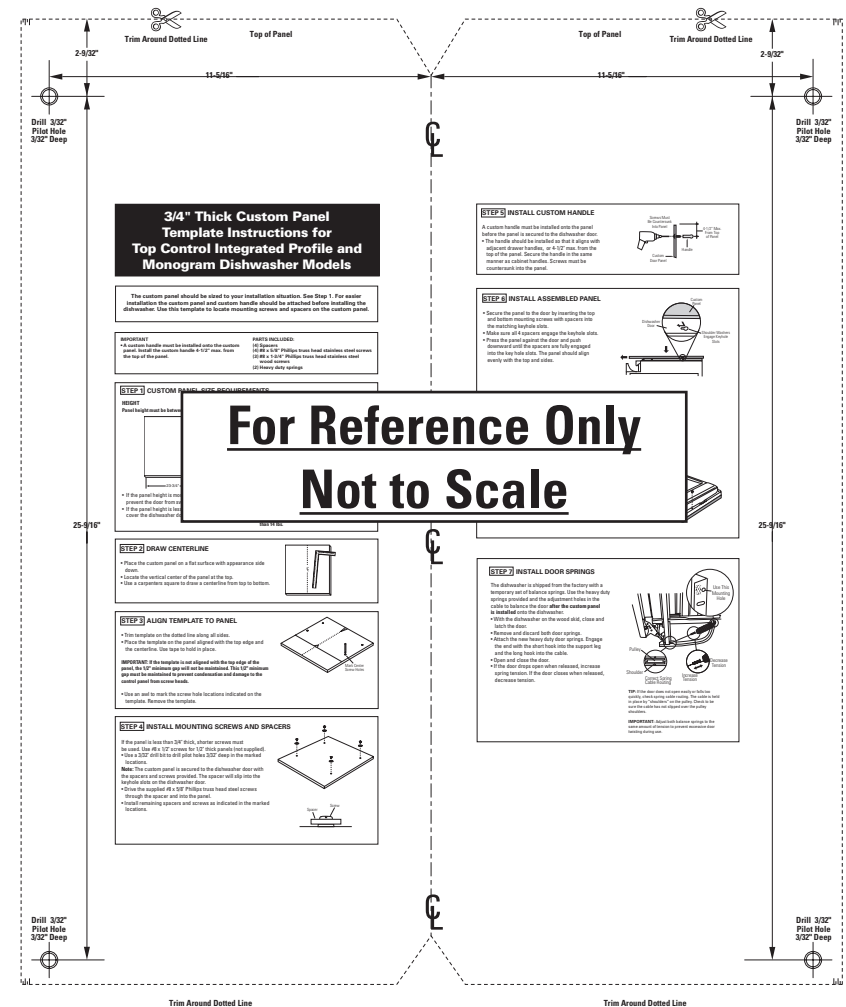


As an ENERGY STAR® partner, GE has determined that this product meets the ENERGY STAR guidelines for energy efficiency.

# PDWT502PII GE Profile™ Dishwasher with SmartDispense™ Technology

## Custom Dishwasher Door Panel Template

GE Pub. No. 5-X063

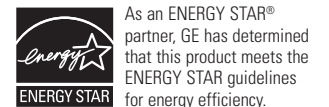


Order GE Pub. No. 5-X063

Call 1-800-626-2000

For a full-size panel template with complete panel installation instructions.

For answers to your Monogram® GE Profile™ or GE® appliance questions, visit our website at [ge.com](http://ge.com) or call GE Answer Center® service, 800.626.2000.

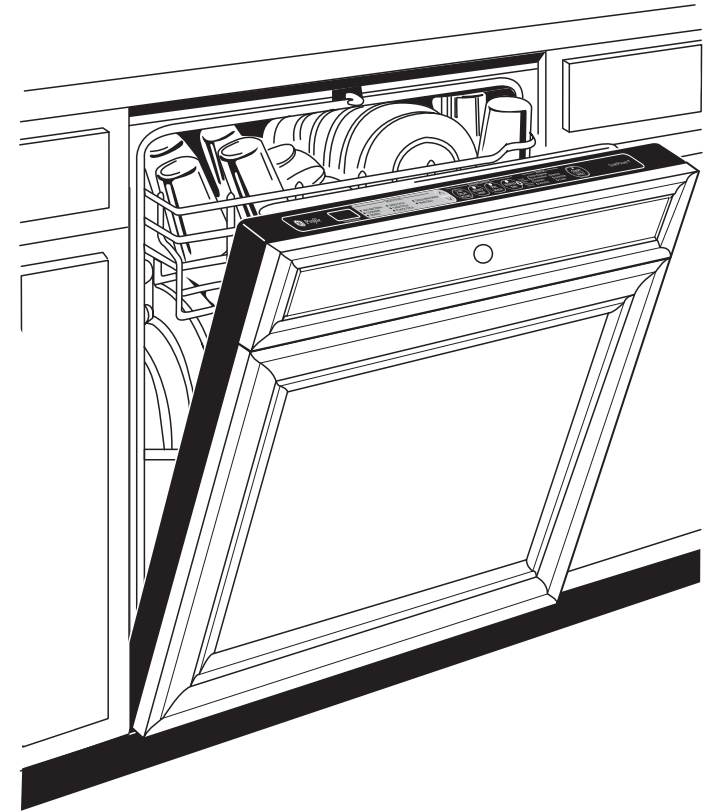


# PDWT502P11

## GE Profile™ Dishwasher with SmartDispense™ Technology

### Features and Benefits

- Fully Integrated Door for Custom Panels - Hides your dishwasher by blending in with cabinetry (Requires custom panel and handle, not provided)
- SmartDispense™ Technology - Holds up to 47 fl. oz. of detergent and dispenses it based on water hardness and soil levels
- DeepClean™ Cycle with SmartDispense II Technology - Uses SmartDispense II to inject a precise amount of detergent multiple times in the main wash to maximize cleaning power and scrub away hard-to-remove foods
- Steam Pre-Wash Option - Helps to loosen tough soils before any cycle
- Angled Rack Dry™ System - Rack allows dishes to rest at an angle, so water runs off and drying time is reduced
- Four-Position Adjustable Upper Rack - Easy-to-use mechanism allows the upper rack to be moved up, down or diagonally for additional loading flexibility
- Single Rack Wash™ Selection - Perfect for smaller loads or for cleaning glasses only, washing just the upper rack of dishes using less water and energy
- 100% Fold-Down Tines and Adaptable Bowl Tines in Lower Rack - Racks can secure multiple bowls or fold down for additional flexibility
- Model PDWT502P11 - Custom panels required



imagination at work