

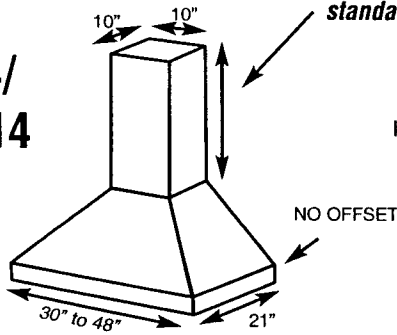
Vent Hood SPECIFICATION SHEET

MODELS: PD14, PDH14 Euroline, SLD14, SLDH14 Euroline w/ Emerald Lip,

Note: "H" in part number indicates halogen lighting.

**PD14/
PDH14**

Euroline

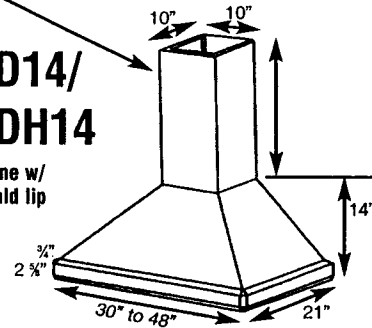


Optional duct covers are available in standard heights or custom heights.

• Notes: 30" model is limited to B100 Blower only.

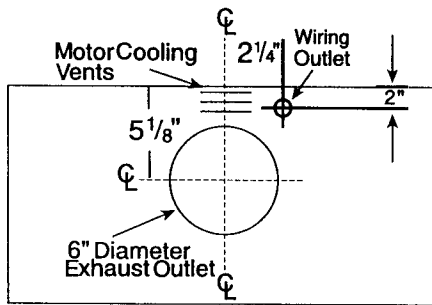
**SLD14/
SLDH14**

Euroline w/
Emerald lip

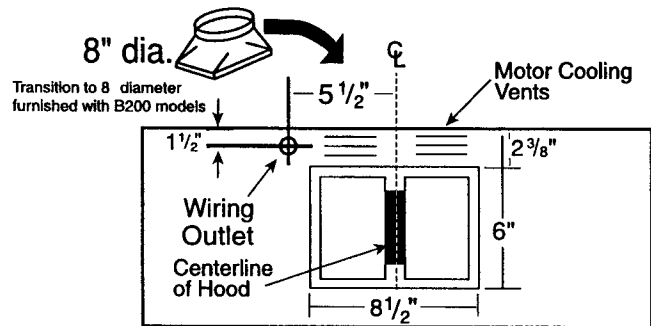


Warming lights are not available on these models. Duct covers sold separately.

TOP VIEW - B100 Single Blower Location



TOP VIEW - B200 Dual Blower Location



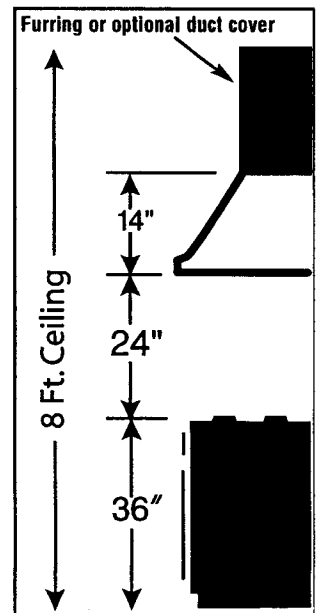
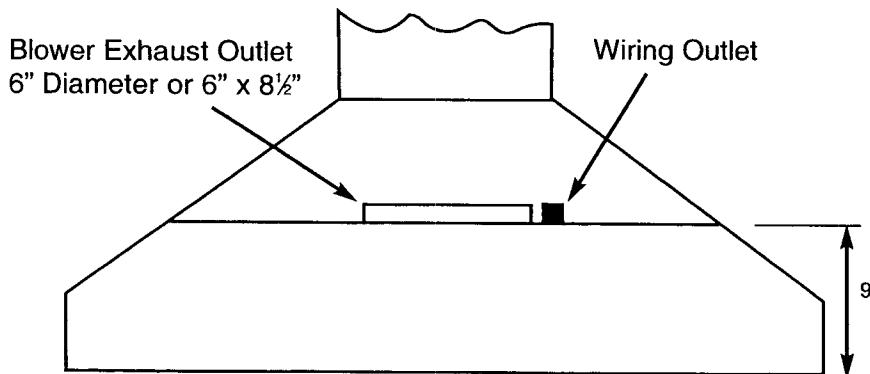
ELECTRICAL/MECHANICAL SPECIFICATIONS FOR BLOWER UNITS

Model	Motor	Type	Volts	Amps	HZ	RPM	CFM SP@.0"	Equivalent CFM	CFM SP@.0.1"	CFM SP@.0.2"	CFM SP@.0.3"	Minimum Round Duct Size	Square Inches
B100 Single	1/25	Shaded Pole	115	1.7•	60	1550	300	450	286	270	240	6" (or equivalent)	28
B200 Dual	(2) 1/25	(2) Shaded Pole	115	3.4•	60	1550	600	900	572	540	480	8" (or equivalent)	50

• Note: Add 2.5 amps for each warming light and 1.0 additional amp for each halogen bulb. Equivalent CFM explained in the checklist on page 19 of literature.

Lighting: Hood is available with fluorescent light (1 for each single or dual blower) or with halogen lights - 24" to 41" - 2 lights, 42" to 48" - 3 lights.

REAR VIEW - PD14/PDH14 and SLD14/SLDH14



SPECIFICATIONS SUBJECT TO CHANGE WITHOUT NOTICE.