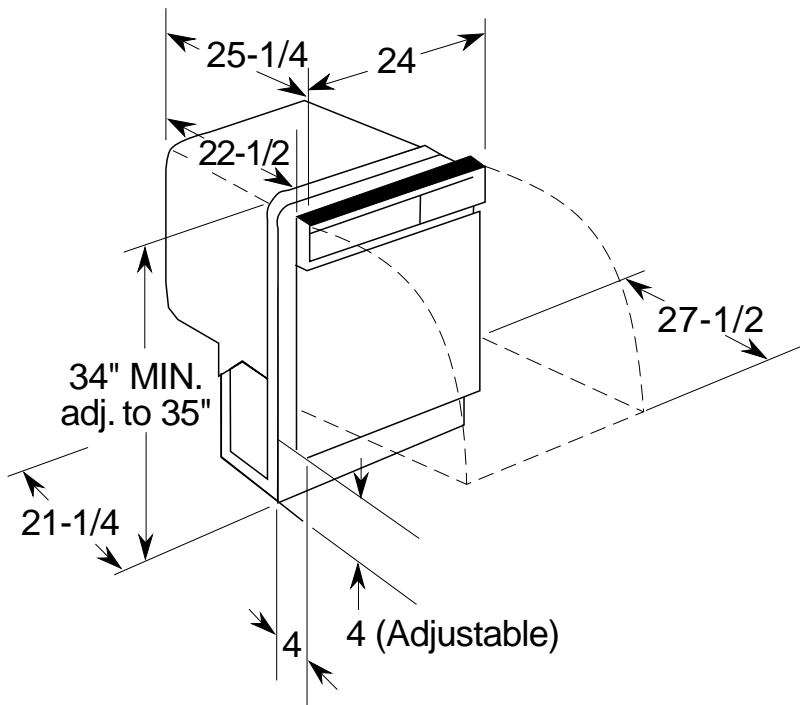




Profile™

PDW8200/80J – GE Profile™ Stainless Built-In Dishwasher

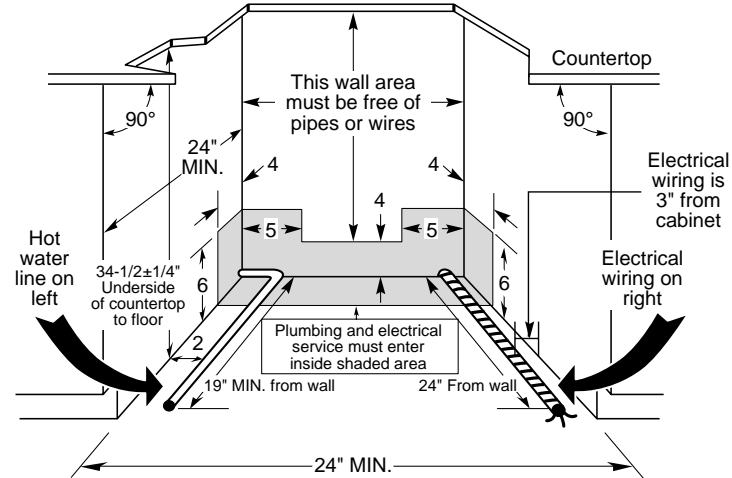
Built-In Dishwasher Dimensions (in inches)



Electrical Rating

Voltage AC.....	120
Hertz.....	60
Total connected load amperage.....	9.1
Calrod® heater watts max.....	875

For use on adequately wired 120-volt, 15-amp circuit having 2-wire service with a separate ground wire. This appliance must be grounded for safe operation.



Listed by
Underwriters
Laboratories



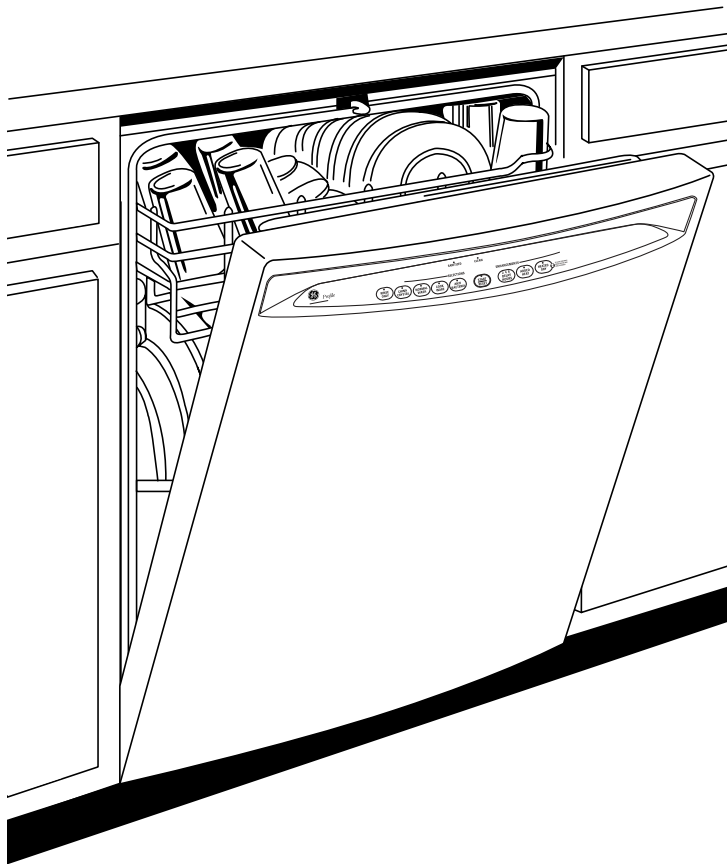
As an ENERGY STAR® partner,
GE has determined that this product
meets the ENERGY STAR®
guidelines for energy efficiency.

For answers to your Monogram,® GE Profile™ or
GE appliance questions, visit our website at
GEAppliances.com or call
GE Answer Center® service, 800.626.2000.



Profile™

PDW8200/80J – GE Profile™ Stainless Built-In Dishwasher



Features and Benefits

- Full Color Wrap Contour Door – Lends a rich and contemporary look to any kitchen.
- Bright Annealed Stainless Steel Interior – A lustrous finish and lasting beauty that resists stains and corrosion.
- Nylon Racks with Color-Matched Components – Match stainless steel interior for a beautiful, monochromatic look.
- Removable Upper Rack – Pulls out completely to provide up to 22" for washing oversized items.
- Tall-Over-Tall™ Towerless Nylon Rack Design – Holds tall or oversized items, or wash 16 plate settings at once.
- QuietPower™ V Sound Package – Ensures the kitchen stays incredibly quiet with an enhanced sound deadening system.
- Two Sets Fold Down Tines, Lower Rack – Provides loading flexibility for pots, pans and large bowls.
- 2/4/6 Hour Delay Start – Allows washing dishes at a later time.
- Model PDW8200JWW – White on white
- Model PDW8200JCC – Bisque on bisque
- Model PDW8200JBB – Black on black
- Model PDW8280JSS – Stainless steel