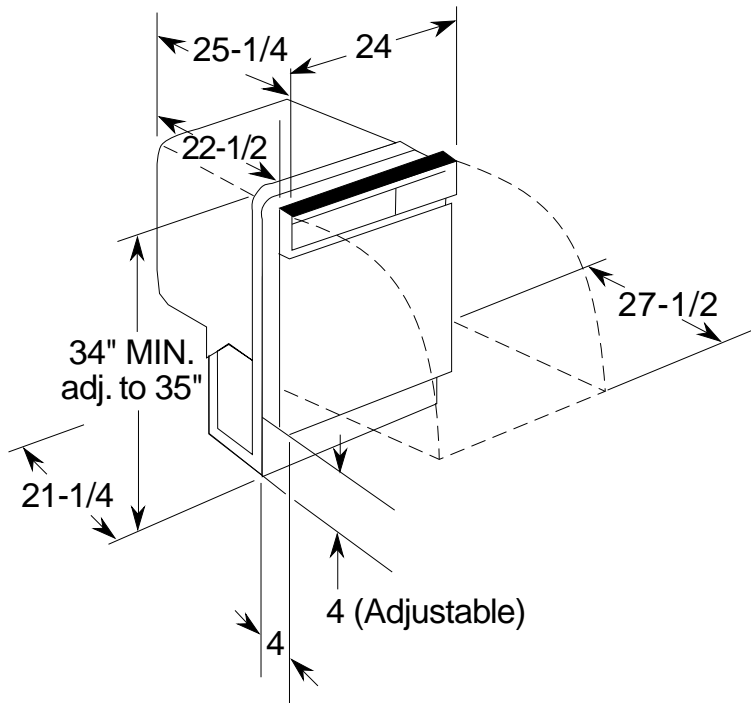




GE Appliances

GSD6200/60J – GE Triton XL™ Built-In Dishwasher

Built-In Dishwasher Dimensions (in inches)



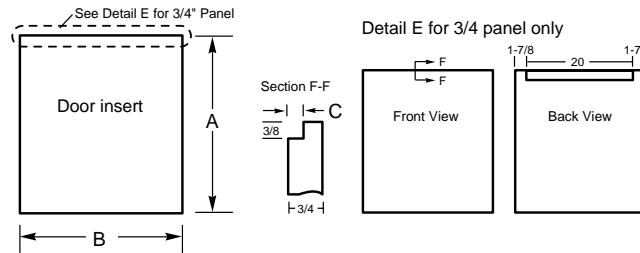
Electrical Rating

Voltage AC 120
 Hertz 60
 Total connected load amperage 9.1
 Calrod® heater watts max. 875
 For use on adequately wired 120-volt, 15-amp circuit
 having 2-wire service with a separate ground wire.
 This appliance must be grounded for safe operation.

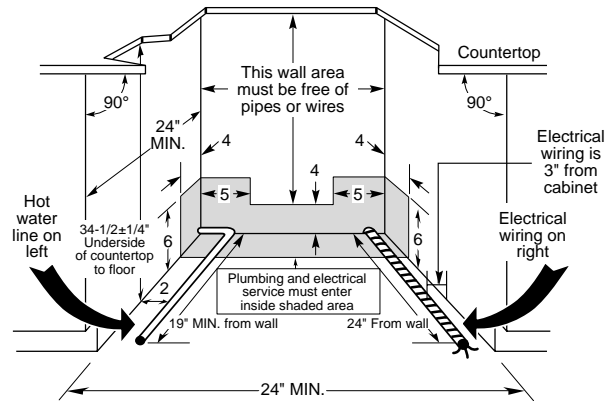
Specification Revised 4/03

Wood Insert Cutout Dimensions (in inches)

Kits: GPF625, GPF675



Kit	A	B	C	Panel Thickness
GPF625	25-1/16"	23-1/2"	N/A	1/4"
GPF675	25-7/16"	23-3/4"	3/8"	3/4"



Listed by
Underwriters
Laboratories



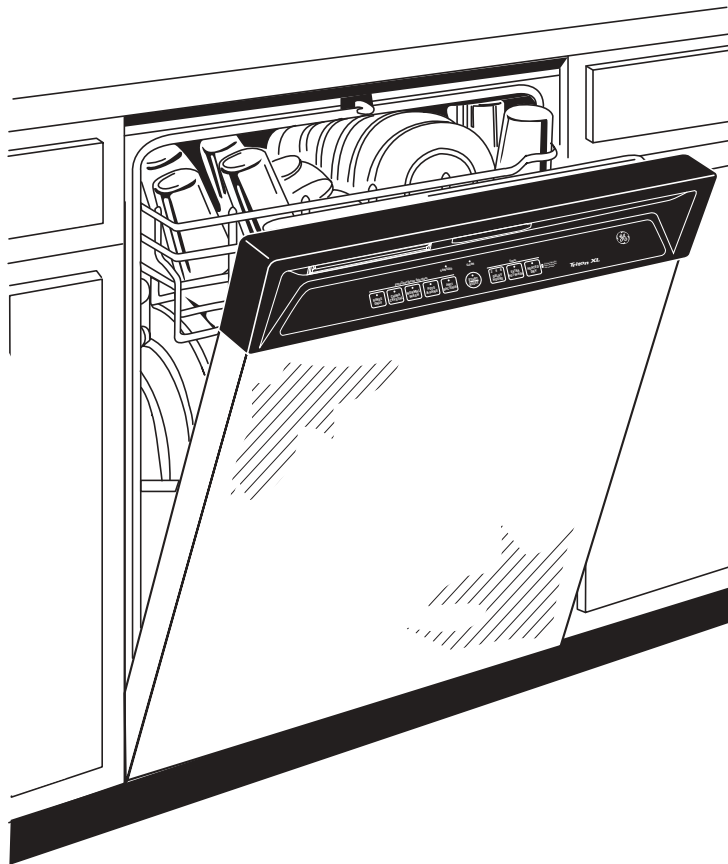
As an ENERGY STAR® partner,
GE has determined that this product
meets the ENERGY STAR®
guidelines for energy efficiency.

For answers to your Monogram®, GE Profile™ or
 GE appliance questions, visit our website at
 GEAppliances.com or call
 GE Answer Center® service, 800.626.2000.



GE Appliances

GSD6200/60J – GE Triton XL™ Built-In Dishwasher



Features and Benefits

- Long, Flat Door – Accepts custom panels to blend almost seamlessly with kitchen cabinets.
- XtraClean™ Wash System With 3 Direct Feed Wash Arms – Providing multiple levels of wash to clean every spot on every dish.
- QuietPower™ III Sound Package – Reduces ambient sound by keeping noise from escaping through the access panel.
- 16 Place Setting Capacity – Accommodates up to 16 place settings in one load.
- Tall-Over-Tall™ Rack System – Holds tall or oversized items, or wash 16 place settings at once.
- Deep Tiered Upper Rack – Allows easy loading of tall items.
- Towerless Lower Rack With CleanTip™ Tines – Provides loading flexibility while it gently cradles your dishes.
- Model GSD6200JWW – White on white
- Model GSD6200JCC – Bisque on bisque
- Model GSD6200JBB – Black on black
- Model GSD6260JSS – Stainless steel (shown)