







Two circular air filter grilles are shown, one above the other, with a central circular opening. The grilles are made of a white plastic mesh with a grid pattern. The top grille is slightly offset to the left and right compared to the bottom one.

# Multi-Zone System Combination Charts 2019

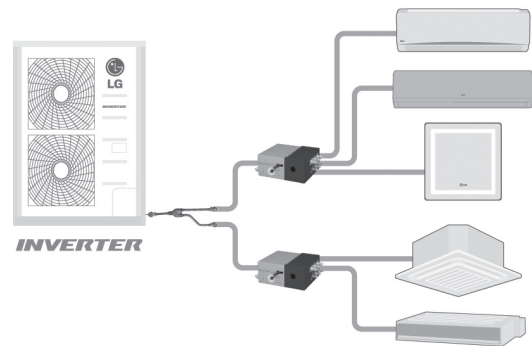
# MULTI F MAX PIPING ACCESSORIES

## Accessory Lineup

For	2 IDUs	3 IDUs	4 IDUs	4 IDUs
Branch Distribution Unit	 PMBD3620	 PMBD3630	 PMBD3640	 PMBD3641
Y-Branch		 PMBL5620		

## Branch Distribution Unit Features

- Distribution of refrigerant to various indoor units
- 4 models (2, 3, 4 indoor units)
- Integral EEVs
- Controlling PCB inside the unit
- Internally insulated (prevents condensation)
- Flare joints for easy and clean installation
- Compact design (low height)
- Flexible installation



## Specifications

Specification		Unit	PMBD3620	PMBD3630	PMBD3640	PMBD3641
Max Nominal Port Capacity	Each Port	Btu/h	24,000	24,000	24,000	Ports A - C: 24,000 Port D: 36,000
	Sum of Ports	Btu/h	48,000	72,000	73,000	73,000
Connectable Indoor Units			1 - 2	1 - 3	1 - 4	1 - 4
Operating Range		°F DB	0 - 150	0 - 150	0 - 150	0 - 150
Voltage		V, Ø, Hz	208/230-1-60	208/230-1-60	208/230-1-60	208/230-1-60
Power Input		W	16	24	32	32
Rated Amps		A	0.08	0.12	0.16	0.16
Dimensions	WxHxD	inch	17-3/32 x 6-13/32 x 10-23/32	17-3/32 x 6-13/32 x 10-23/32	17-3/32 x 6-13/32 x 10-23/32	17-3/32 x 6-13/32 x 10-23/32
	Net	lbs	13	15	16	16
Weight	Shipping	lbs	15	17	18	18
	Liquid	in	3/8	3/8	3/8	3/8
Pipe Connection Size (In from ODU)	Vapor	in	3/4	3/4	3/4	3/4
	Liquid	in	1/4 (x2)	1/4 (x3)	1/4 (x4)	Ports A - C: 1/4 Port D: 1/4
Pipe Connection Size (Out to IDU)	Vapor	in	3/8 (x2)	3/8 (x3)	3/8 (x4)	Ports A - C: 3/8 Port D: 1/2
	BD Box to IDU	ft	49.2	49.2	49.2	49.2
Max Pipe Elevation	BD Box to IDU	ft	32.8	32.8	32.8	32.8
	BD Box to BD Box	ft	49.2	49.2	49.2	49.2

Note:

1. Branch Distribution Unit should be installed indoors
2. Due to our commitment to continued innovation, some specifications may be changed without notification

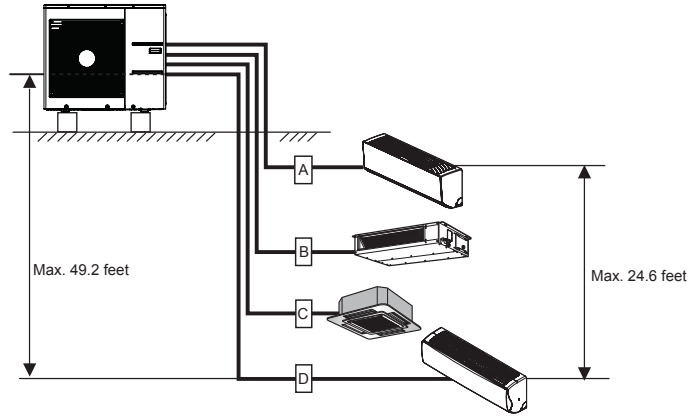
# MULTI F PIPING SUMMARY

The following are examples of manual pipe size calculations. Designers are strongly encouraged to use LATS for Multi F systems.

## Multi F System

Example shown: LMU36CHV outdoor unit with four (4) indoor units connected.

Model Number	Min Length Each Pipe (ft.)	Maximum Piping Length to each IDU (ft.)				Max. Total Piping Length for Each System (ft.)
		A	B	C	D	
LMU18CHV	10	82	82	-	-	164
LMU24CHV	10	82	82	82	-	246.1
LMU30CHV	10	82	82	82	82	246.1
LMU36CHV	10	82	82	82	82	246.1

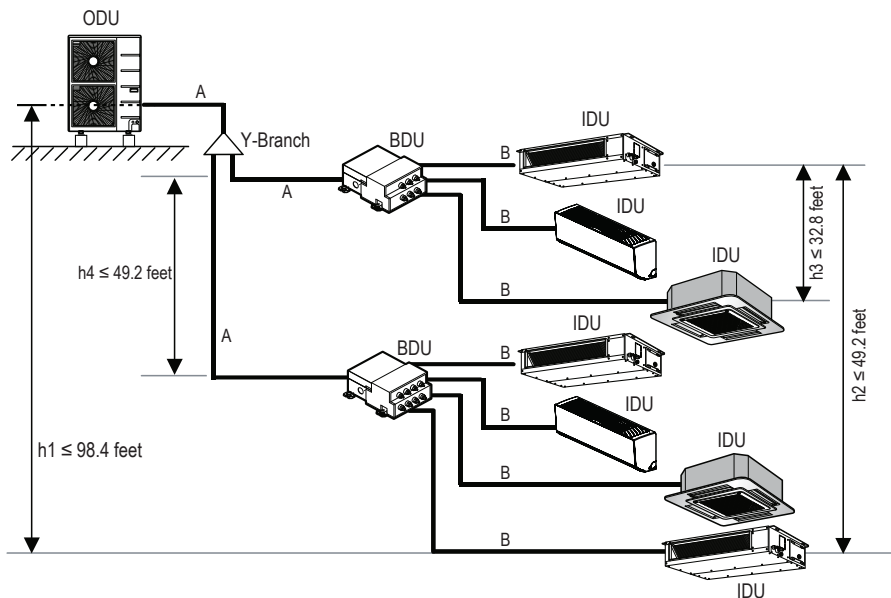


## Multi F MAX System

Example: LMU540HV outdoor unit with seven (7) indoor units, and two (2) branch distribution units connected.

A, B, C, D: Pipes from Outdoor Unit to Indoor Unit

Pipe Length (ELF = Equivalent Length of pipe in Feet)	Total System Pipe Length (A + B)		≤475.7 feet
	Main pipe (Outdoor Unit to Branch Distribution Units: A)	Minimum per segment	10 feet
		Maximum	≤180.4 feet
	Total Branch Pipe Length (B)		≤295.3 feet
Elevation Differential (All Elevation Limitations are Measured in Actual Feet)	Branch pipe (Branch Distribution Units to Indoor Units: B)	Minimum	10 feet
		Maximum	≤49.2 feet
	If outdoor unit is above or below indoor unit (h1)		≤98.4 feet
	Between the farthest two indoor units (h2)		≤49.2 feet
	Between branch distribution unit and farthest connected indoor unit(s) (h3)		≤32.8 feet
Between branch distribution units (h4)		≤49.2 feet	



### KEY:

ODU: Outdoor Unit  
 IDU: Indoor Unit  
 BDU: Branch Distribution Unit (s)  
 A, B, C, D: Pipes from ODU to IDU

A: Main Pipe  
 B: Branch Pipe (BDU(s) to IDU(s))

**FOR PROPER SYSTEM OPERATION:**

- At least two operable indoor units must be connected to the outdoor unit.
- Total connected indoor unit nominal capacity must be a minimum 40% and a maximum of 133% of outdoor unit nominal capacity.
- To calculate the connected total indoor unit nominal capacity, simply sum up the nominal capacities of all indoor units.
  - For high static duct and vertical-horizontal air handling indoor units, a 1.3 multiplier must first be applied before adding to the sum of other smaller indoor unit types.
  - When high static duct and/or vertical-horizontal air handling indoor units are the **only** connected indoor units, the multiplier is 1.2.

# COMBINATION TABLES

## LMU18CHV

Table 1: LMU18CHV with Non-Ducted, Ducted and Mixed Indoor Units – Rated Cooling Combination Table.

Cooling Capacity																				
No. of Indoor Units	Combination (kBtu/h)					Each Capacity (Btu/h)				Total Capacity						Input (W)			EER	SEER
	IDU 1	IDU 2	IDU 3	IDU 4	Total	Unit 1	Unit 2	Unit 3	Unit 4	Minimum		Rated		Maximum		Min.	Rated	Max.		
										Btu/h	kW	Btu/h	kW	Btu/h	kW					
<b>Non-Ducted Indoor Units</b>																				
Two Units	7	7	-	-	14	7,000	7,000	-	-	8,400	2.46	14,000	4.10	16,800	4.92	826	1,180	1,652	11.9	20.1
	7	9	-	-	16	7,000	9,000	-	-	9,600	2.81	16,000	4.69	19,000	5.57	868	1,240	1,736	12.9	21.9
	9	9	-	-	18	8,500	8,500	-	-	10,200	3.16	17,000	4.98	19,000	5.57	917	1,310	1,834	13.0	22.0
	7	12	-	-	19	6,263	10,737	-	-	10,200	2.99	17,000	4.98	19,000	5.57	917	1,310	1,834	13.0	22.0
	9	12	-	-	21	7,286	9,714	-	-	10,200	3.16	17,000	4.98	19,000	5.57	917	1,310	1,834	13.0	22.0
	7	15	-	-	22	5,409	11,591	-	-	10,200	2.99	17,000	4.98	19,000	5.57	917	1,310	1,834	13.0	22.0
	9	15	-	-	24	6,375	10,625	-	-	10,200	2.99	17,000	4.98	19,000	5.57	917	1,310	1,834	13.0	22.0
12	12	-	-	24	8,500	8,500	-	-	10,200	3.16	17,000	4.98	19,000	5.57	917	1,310	1,834	13.0	22.0	
<b>Ducted Indoor Units</b>																				
Two Units	9	9	-	-	18	7,000	7,000	-	-	8,400	3.16	14,000	4.10	19,000	5.57	916	1,308	1,831	10.7	17.2
	9	12	-	-	21	6,000	8,000	-	-	8,400	3.16	14,000	4.10	19,000	5.57	916	1,308	1,831	10.7	17.2
	12	12	-	-	24	7,000	7,000	-	-	8,400	3.16	14,000	4.10	19,000	5.57	916	1,308	1,831	10.7	17.2
<b>Mixed Indoor Units</b>																				
Two Units	7	9	-	-	16	6,382	8,206	-	-	8,753	2.57	14,588	4.28	19,000	5.57	867	1,239	1,735	11.8	19.5
	9	9	-	-	18	7,750	7,750	-	-	9,300	3.16	15,500	4.54	19,000	5.57	916	1,309	1,833	11.8	19.6
	7	12	-	-	19	5,711	9,789	-	-	9,300	2.73	15,500	4.54	19,000	5.57	916	1,309	1,833	11.8	19.6
	9	12	-	-	21	6,643	8,857	-	-	9,300	3.16	15,500	4.54	19,000	5.57	916	1,309	1,833	11.8	19.6
	9	15	-	-	24	5,813	9,688	-	-	9,300	2.73	15,500	4.54	19,000	5.57	916	1,309	1,833	11.8	19.6
12	12	-	-	24	7,750	7,750	-	-	9,300	3.16	15,500	4.54	19,000	5.57	916	1,309	1,833	11.8	19.6	

Table 2: LMU18CHV with Non-Ducted, Ducted and Mixed Indoor Units – Rated Heating Combination Table.

Heating Capacity																				
No. of Indoor Units	Indoor Unit Combination (kBtu/h)					Room Capacity (Btu/h)				Total Capacity						Input (W)			COP	HSPF
	IDU 1	IDU 2	IDU 3	IDU 4	Total	Unit 1	Unit 2	Unit 3	Unit 4	Minimum		Rated		Maximum		Min.	Rated	Max.		
										Btu/h	kW	Btu/h	kW	Btu/h	kW					
<b>Non-Ducted Indoor Units</b>																				
Two Units	7	7	-	-	14	8,540	8,540	-	-	10,248	3.00	17,080	5.01	19,642	5.76	1,155	1,650	2,310	3.0	9.3
	7	9	-	-	16	8,540	10,980	-	-	11,712	3.43	19,520	5.72	22,448	6.58	1,309	1,870	2,420	3.1	9.4
	9	9	-	-	18	11,000	11,000	-	-	13,200	3.87	22,000	6.45	24,000	7.03	1,428	2,040	2,420	3.2	9.7
	7	12	-	-	19	8,105	13,895	-	-	13,200	3.87	22,000	6.45	24,000	7.03	1,428	2,040	2,420	3.2	9.7
	9	12	-	-	21	9,429	12,571	-	-	13,200	3.87	22,000	6.45	24,000	7.03	1,428	2,040	2,420	3.2	9.7
	7	15	-	-	22	7,000	15,000	-	-	13,200	3.87	22,000	6.45	24,000	7.03	1,428	2,040	2,420	3.2	9.7
	9	15	-	-	24	8,250	13,750	-	-	13,200	3.87	22,000	6.45	24,000	7.03	1,428	2,040	2,420	3.2	9.7
12	12	-	-	24	11,000	11,000	-	-	13,200	3.87	22,000	6.45	24,000	7.03	1,428	2,040	2,420	3.2	9.7	
<b>Ducted Indoor Units</b>																				
Two Units	9	9	-	-	18	9,900	9,900	-	-	11,880	3.48	19,800	5.80	24,000	7.03	1,386	1,980	2,420	2.9	9.7
	9	12	-	-	21	8,486	11,314	-	-	11,880	3.48	19,800	5.80	24,000	7.03	1,386	1,980	2,420	2.9	9.7
	12	12	-	-	24	9,900	9,900	-	-	11,880	3.48	19,800	5.80	24,000	7.03	1,386	1,980	2,420	2.9	9.7
<b>Mixed Indoor Units</b>																				
Two Units	7	9	-	-	16	8,113	10,431	-	-	11,126	3.26	18,544	5.43	21,326	6.25	1,290	1,843	2,420	2.9	9.4
	9	9	-	-	18	10,450	10,450	-	-	12,540	3.68	20,900	6.13	24,000	7.03	1,407	2,010	2,420	3.0	9.7
	7	12	-	-	19	7,700	13,200	-	-	12,540	3.68	20,900	6.13	24,000	7.03	1,407	2,010	2,420	3.0	9.7
	9	12	-	-	21	8,957	11,943	-	-	12,540	3.68	20,900	6.13	24,000	7.03	1,407	2,010	2,420	3.0	9.7
	9	15	-	-	24	7,838	13,063	-	-	12,540	3.68	20,900	6.13	24,000	7.03	1,407	2,010	2,420	3.0	9.7
	12	12	-	-	24	10,450	10,450	-	-	12,540	3.68	20,900	6.13	24,000	7.03	1,407	2,010	2,420	3.0	9.7

Note:

Combination Tables convey the allocation of outdoor unit Rated Capacity to each of the indicated indoor units when calling for conditioning at the same time. Refer to the Multi F ODU Combination and Performance Data manuals for more detailed information.

- Capacity as rated:
  - 0 ft. above sea level with 25 ft. of refrigerant piping.
  - 0 ft. level difference between outdoor and indoor units.
- Cooling capacity rating obtained with air entering the indoor unit at 80°F dry bulb (DB) and 67°F wet bulb (WB), and outdoor ambient conditions of 95°F dry bulb (DB) and 75°F wet bulb (WB).
- Wiring cable size must comply with the applicable local and national codes.
- The specification may be subject to change without prior notice for purpose of improvement.
- At least two indoor units must be connected.
- Heating capacity rating obtained with air entering the indoor unit at 70°F dry bulb (DB) and 60°F wet bulb (WB), and outdoor ambient conditions of 47°F dry bulb (DB) and 43°F wet bulb (WB).
- Combination tables with calculated SEER and HSPF are outside the scope of AHRI 1230 test standard.

**FOR PROPER SYSTEM OPERATION:**

- At least two operable indoor units must be connected to the outdoor unit.
- Total connected indoor unit nominal capacity must be a minimum 40% and a maximum of 133% of outdoor unit nominal capacity.
- To calculate the connected total indoor unit nominal capacity, simply sum up the nominal capacities of all indoor units.
  - For high static duct and vertical-horizontal air handling indoor units, a 1.3 multiplier must first be applied before adding to the sum of other smaller indoor unit types.
  - When high static duct and/or vertical-horizontal air handling indoor units are the **only** connected indoor units, the multiplier is 1.2.

# COMBINATION TABLES

## LMU24CHV

Table 3: LMU24CHV with Non-Ducted and Ducted Indoor Units – Rated Cooling Combination Table.

No. of Indoor Units	Cooling Capacity																				EER	SEER
	Indoor Unit Combination (kBtu/h)					Room Capacity				Total Capacity						Input (W)						
	IDU 1	IDU 2	IDU 3	IDU 4	Total	Unit 1	Unit 2	Unit 3	Unit 4	Minimum		Rated		Maximum		Min.	Rated	Max.				
										Btu/h	kW	Btu/h	kW	Btu/h	kW							
<b>Non-Ducted Indoor Units</b>																						
Two Units	7	7	-	-	14	7,000	7,000	-	-	8,400	2.46	14,000	4.10	16,800	4.92	798	1,140	1,596	12.3	19.7		
	7	9	-	-	16	7,000	9,000	-	-	9,600	2.81	16,000	4.69	19,200	5.63	903	1,290	1,806	12.4	19.9		
	9	9	-	-	18	9,000	9,000	-	-	10,800	3.17	18,000	5.28	21,600	6.33	1,008	1,440	2,016	12.5	20.1		
	7	12	-	-	19	7,000	12,000	-	-	11,400	3.34	19,000	5.57	22,800	6.68	1,057	1,510	2,114	12.6	20.2		
	9	12	-	-	21	8,571	11,429	-	-	12,000	3.52	20,000	5.86	24,000	7.03	1,106	1,580	2,212	12.7	20.3		
	7	15	-	-	22	6,364	13,636	-	-	12,000	3.52	20,000	5.86	24,000	7.03	1,106	1,580	2,212	12.7	20.3		
	9	15	-	-	24	7,500	12,500	-	-	12,000	3.52	20,000	5.86	24,000	7.03	1,106	1,580	2,212	12.7	20.3		
	12	12	-	-	24	10,000	10,000	-	-	12,000	3.52	20,000	5.86	24,000	7.03	1,106	1,580	2,212	12.7	20.3		
	7	18	-	-	25	5,600	14,400	-	-	12,000	3.52	20,000	5.86	24,000	7.03	1,106	1,580	2,212	12.7	20.3		
	9	18	-	-	27	6,667	13,333	-	-	12,000	3.52	20,000	5.86	24,000	7.03	1,106	1,580	2,212	12.7	20.3		
	12	15	-	-	27	8,889	11,111	-	-	12,000	3.52	20,000	5.86	24,000	7.03	1,106	1,580	2,212	12.7	20.3		
	12	18	-	-	30	8,000	12,000	-	-	12,000	3.52	20,000	5.86	24,000	7.03	1,106	1,580	2,212	12.7	20.3		
	15	15	-	-	30	10,000	10,000	-	-	12,000	3.52	20,000	5.86	24,000	7.03	1,106	1,580	2,212	12.7	20.3		
	7	24	-	-	31	4,516	15,484	-	-	12,000	3.52	20,000	5.86	24,000	7.03	1,106	1,580	2,212	12.7	20.3		
9	24	-	-	33	5,455	14,545	-	-	12,000	3.52	20,000	5.86	24,000	7.03	1,106	1,580	2,212	12.7	20.3			
15	18	-	-	33	9,091	10,909	-	-	12,000	3.52	20,000	5.86	24,000	7.03	1,106	1,580	2,212	12.7	20.3			
Three Units	7	7	7	-	21	6,667	6,667	6,667	-	12,000	3.52	20,000	5.86	25,000	7.33	1,037	1,481	2,073	13.5	21.7		
	7	7	9	-	23	6,087	6,087	7,826	-	12,000	3.52	20,000	5.86	25,000	7.33	1,037	1,481	2,073	13.5	21.7		
	7	9	9	-	25	5,600	7,200	7,200	-	12,000	3.52	20,000	5.86	25,000	7.33	1,037	1,481	2,073	13.5	21.7		
	7	7	12	-	26	5,385	5,385	9,231	-	12,000	3.52	20,000	5.86	25,000	7.33	1,037	1,481	2,073	13.5	21.7		
	9	9	9	-	27	6,667	6,667	6,667	-	12,000	3.52	20,000	5.86	25,000	7.33	1,037	1,481	2,073	13.5	21.7		
	7	9	12	-	28	5,000	6,429	8,571	-	12,000	3.52	20,000	5.86	25,000	7.33	1,037	1,481	2,073	13.5	21.7		
	7	7	15	-	29	4,828	4,828	10,345	-	12,000	3.52	20,000	5.86	25,000	7.33	1,037	1,481	2,073	13.5	21.7		
	9	9	12	-	30	6,000	6,000	8,000	-	12,000	3.52	20,000	5.86	25,000	7.33	1,037	1,481	2,073	13.5	21.7		
	7	9	15	-	31	4,516	5,806	9,677	-	12,000	3.52	20,000	5.86	25,000	7.33	1,037	1,481	2,073	13.5	21.7		
	7	12	12	-	31	4,516	7,742	7,742	-	12,000	3.52	20,000	5.86	25,000	7.33	1,037	1,481	2,073	13.5	21.7		
	7	7	18	-	32	4,375	4,375	11,250	-	12,000	3.52	20,000	5.86	25,000	7.33	1,037	1,481	2,073	13.5	21.7		
	9	9	15	-	33	5,455	5,455	9,091	-	12,000	3.52	20,000	5.86	25,000	7.33	1,037	1,481	2,073	13.5	21.7		
9	12	12	-	33	5,455	7,273	7,273	-	12,000	3.52	20,000	5.86	25,000	7.33	1,037	1,481	2,073	13.5	21.7			
<b>Ducted Indoor Units</b>																						
Two Units	9	9	-	-	18	8,010	8,010	-	-	9,612	2.82	16,020	4.70	19,224	5.63	1,054	1,505	2,107	10.6	16.2		
	9	12	-	-	21	7,629	10,171	-	-	10,680	3.13	17,800	5.22	21,360	6.26	1,156	1,651	2,312	10.8	16.4		
	12	12	-	-	24	8,900	8,900	-	-	10,680	3.13	17,800	5.22	21,360	6.26	1,156	1,651	2,312	10.8	16.4		
	9	18	-	-	27	5,933	11,867	-	-	10,680	3.13	17,800	5.22	21,360	6.26	1,156	1,651	2,312	10.8	16.4		
Three Units	12	18	-	-	30	7,120	10,680	-	-	10,680	3.13	17,800	5.22	21,360	6.26	1,156	1,651	2,312	10.8	16.4		
	9	9	9	-	27	5,933	5,933	5,933	-	10,680	3.13	17,800	5.22	22,250	6.52	1,084	1,548	2,167	11.5	17.5		
	9	9	12	-	30	5,340	5,340	7,120	-	10,680	3.13	17,800	5.22	22,250	6.52	1,084	1,548	2,167	11.5	17.5		
	9	12	12	-	33	4,855	6,473	6,473	-	10,680	3.13	17,800	5.22	22,250	6.52	1,084	1,548	2,167	11.5	17.5		

Note :

- Capacity as rated:
  - 0 ft. above sea level with 25 ft. of refrigerant piping.
  - 0 ft. level difference between outdoor and indoor units.
- Cooling capacity rating obtained with air entering the indoor unit at 80°F dry bulb (DB) and 67°F wet bulb (WB), and outdoor ambient conditions of 95°F dry bulb (DB) and 75°F wet bulb (WB).
- Wiring cable size must comply with the applicable local and national codes.
- The specification may be subject to change without prior notice for purpose of improvement.
- At least two indoor units must be connected.
- Combination tables with calculated SEER and HSPF are outside the scope of AHRI 1230 test standard.

**FOR PROPER SYSTEM OPERATION:**

- At least two operable indoor units must be connected to the outdoor unit.
- Total connected indoor unit nominal capacity must be a minimum 40% and a maximum of 133% of outdoor unit nominal capacity.
- To calculate the connected total indoor unit nominal capacity, simply sum up the nominal capacities of all indoor units.
  - For high static duct and vertical-horizontal air handling indoor units, a 1.3 multiplier must first be applied before adding to the sum of other smaller indoor unit types.
  - When high static duct and/or vertical-horizontal air handling indoor units are the **only** connected indoor units, the multiplier is 1.2.

# COMBINATION TABLES

## LMU24CHV

Table 4: LMU24CHV with Mixed Indoor Units – Rated Cooling Combination Table.

Cooling Capacity																					
No. of Indoor Units	Indoor Unit Combination (kBtu/h)					Room Capacity				Total Capacity						Input (W)			EER	SEER	
	IDU 1	IDU 2	IDU 3	IDU 4	Total	Unit 1	Unit 2	Unit 3	Unit 4	Minimum		Rated		Maximum		Min.	Rated	Max.			
										Btu/h	kW	Btu/h	kW	Btu/h	kW						
<b>Mixed Indoor Units</b>																					
Two Units	7	9	-	-	16	6,615	8,505	-	-	9,072	2,66	15,120	4,43	18,144	5,32	923	1,319	1,847	11.5	18.0	
	9	9	-	-	18	8,505	8,505	-	-	10,206	2,99	17,010	4,99	20,412	5,98	1,031	1,473	2,062	11.6	18.1	
	7	12	-	-	19	6,615	11,340	-	-	10,773	3,16	17,955	5,26	21,546	6,31	1,081	1,544	2,162	11.6	18.3	
	9	12	-	-	21	8,100	10,800	-	-	11,340	3,32	18,900	5,54	22,680	6,65	1,131	1,616	2,262	11.7	18.4	
	9	15	-	-	24	7,088	11,813	-	-	11,340	3,32	18,900	5,54	22,680	6,65	1,131	1,616	2,262	11.7	18.4	
	12	12	-	-	24	9,450	9,450	-	-	11,340	3,32	18,900	5,54	22,680	6,65	1,131	1,616	2,262	11.7	18.4	
	7	18	-	-	25	5,292	13,608	-	-	11,340	3,32	18,900	5,54	22,680	6,65	1,131	1,616	2,262	11.7	18.4	
	9	18	-	-	27	6,300	12,600	-	-	11,340	3,32	18,900	5,54	22,680	6,65	1,131	1,616	2,262	11.7	18.4	
	12	15	-	-	27	8,400	10,500	-	-	11,340	3,32	18,900	5,54	22,680	6,65	1,131	1,616	2,262	11.7	18.4	
	12	18	-	-	30	7,560	11,340	-	-	11,340	3,32	18,900	5,54	22,680	6,65	1,131	1,616	2,262	11.7	18.4	
15	18	-	-	33	8,591	10,309	-	-	11,340	3,32	18,900	5,54	22,680	6,65	1,131	1,616	2,262	11.7	18.4		
9	24*	-	-	33	5,155	13,745	-	-	11,340	3,32	18,900	5,54	22,680	6,65	1,131	1,616	2,262	11.7	18.4		
Three Units	7	7	9	-	23	5,752	5,752	7,396	-	11,340	3,32	18,900	5,54	23,625	6,92	1,060	1,515	2,120	12.5	19.6	
	7	9	9	-	25	5,292	6,804	6,804	-	11,340	3,32	18,900	5,54	23,625	6,92	1,060	1,515	2,120	12.5	19.6	
	7	7	12	-	26	5,088	5,088	8,723	-	11,340	3,32	18,900	5,54	23,625	6,92	1,060	1,515	2,120	12.5	19.6	
	9	9	9	-	27	6,300	6,300	6,300	-	11,340	3,32	18,900	5,54	23,625	6,92	1,060	1,515	2,120	12.5	19.6	
	7	9	12	-	28	4,725	6,075	8,100	-	11,340	3,32	18,900	5,54	23,625	6,92	1,060	1,515	2,120	12.5	19.6	
	9	9	12	-	30	5,670	5,670	7,560	-	11,340	3,32	18,900	5,54	23,625	6,92	1,060	1,515	2,120	12.5	19.6	
	7	9	15	-	31	4,268	5,487	9,145	-	11,340	3,32	18,900	5,54	23,625	6,92	1,060	1,515	2,120	12.5	19.6	
	7	12	12	-	31	4,268	7,316	7,316	-	11,340	3,32	18,900	5,54	23,625	6,92	1,060	1,515	2,120	12.5	19.6	
	7	7	18	-	32	4,134	4,134	10,631	-	11,340	3,32	18,900	5,54	23,625	6,92	1,060	1,515	2,120	12.5	19.6	
	9	9	15	-	33	5,155	5,155	8,591	-	11,340	3,32	18,900	5,54	23,625	6,92	1,060	1,515	2,120	12.5	19.6	
9	12	12	-	33	5,155	6,873	6,873	-	11,340	3,32	18,900	5,54	23,625	6,92	1,060	1,515	2,120	12.5	19.6		

Note :

- Capacity as rated:
  - 0 ft. above sea level with 25 ft. of refrigerant piping.
  - 0 ft. level difference between outdoor and indoor units.
- Cooling capacity rating obtained with air entering the indoor unit at 80°F dry bulb (DB) and 67°F wet bulb (WB), and outdoor ambient conditions of 95°F dry bulb (DB) and 75°F wet bulb (WB).
- Wiring cable size must comply with the applicable local and national codes.
- The specification may be subject to change without prior notice for purpose of improvement.
- At least two indoor units must be connected.
- Combination tables with calculated SEER and HSPF are outside the scope of AHRI 1230 test standard.
- \*The indoor unit must be a non-ducted type.

**FOR PROPER SYSTEM OPERATION:**

1. At least two operable indoor units must be connected to the outdoor unit.
2. Total connected indoor unit nominal capacity must be a minimum 40% and a maximum of 133% of outdoor unit nominal capacity.
3. To calculate the connected total indoor unit nominal capacity, simply sum up the nominal capacities of all indoor units.
  - For high static duct and vertical-horizontal air handling indoor units, a 1.3 multiplier must first be applied before adding to the sum of other smaller indoor unit types.
  - When high static duct and/or vertical-horizontal air handling indoor units are the **only** connected indoor units, the multiplier is 1.2.

# COMBINATION TABLES

## LMU24CHV

Table 5: LMU24CHV with Non-Ducted and Ducted Indoor Units – Rated Heating Combination Table.

Heating Capacity																				
No. of Indoor Units	Indoor Unit Combination (kBtu/h)					Room Capacity (Btu/h)				Total Capacity						Input (W)			COP	HSPF
	IDU 1	IDU 2	IDU 3	IDU 4	Total	Unit 1	Unit 2	Unit 3	Unit 4	Minimum		Rated		Maximum		Min.	Rated	Max.		
										Btu/h	kW	Btu/h	kW	Btu/h	kW					
<b>Non-Ducted Indoor Units</b>																				
Two Units	7	7	-	-	14	7,700	7,700	-	-	9,240	2.71	15,400	4.51	17,710	5.19	1,092	1,560	2,184	2.9	7.8
	7	9	-	-	16	7,700	9,900	-	-	10,560	3.09	17,600	5.16	20,240	5.93	1,134	1,620	2,268	3.2	8.6
	9	9	-	-	18	9,900	9,900	-	-	11,880	3.48	19,800	5.80	22,770	6.67	1,197	1,710	2,394	3.4	9.2
	7	12	-	-	19	7,700	13,200	-	-	12,540	3.68	20,900	6.13	24,035	7.04	1,232	1,760	2,464	3.5	9.4
	9	12	-	-	21	9,900	13,200	-	-	13,860	4.06	23,100	6.77	26,565	7.79	1,323	1,890	2,580	3.6	9.7
	7	15	-	-	22	7,636	16,364	-	-	14,400	4.22	24,000	7.03	27,600	8.09	1,358	1,940	2,580	3.6	9.8
	9	15	-	-	24	9,000	15,000	-	-	14,400	4.22	24,000	7.03	27,600	8.09	1,358	1,940	2,580	3.6	9.8
	12	12	-	-	24	12,000	12,000	-	-	14,400	4.22	24,000	7.03	27,600	8.09	1,358	1,940	2,580	3.6	9.8
	7	18	-	-	25	6,720	17,280	-	-	14,400	4.22	24,000	7.03	27,600	8.09	1,358	1,940	2,580	3.6	9.8
	9	18	-	-	27	8,000	16,000	-	-	14,400	4.22	24,000	7.03	27,600	8.09	1,358	1,940	2,580	3.6	9.8
	12	15	-	-	27	10,667	13,333	-	-	14,400	4.22	24,000	7.03	27,600	8.09	1,358	1,940	2,580	3.6	9.8
	12	18	-	-	30	9,600	14,400	-	-	14,400	4.22	24,000	7.03	27,600	8.09	1,358	1,940	2,580	3.6	9.8
	15	15	-	-	30	12,000	12,000	-	-	14,400	4.22	24,000	7.03	27,600	8.09	1,358	1,940	2,580	3.6	9.8
	7	24	-	-	31	5,419	18,581	-	-	14,400	4.22	24,000	7.03	27,600	8.09	1,358	1,940	2,580	3.6	9.8
	9	24	-	-	33	6,545	17,455	-	-	14,400	4.22	24,000	7.03	27,600	8.09	1,358	1,940	2,580	3.6	9.8
15	18	-	-	33	10,909	13,091	-	-	14,400	4.22	24,000	7.03	27,600	8.09	1,358	1,940	2,580	3.6	9.8	
Three Units	7	7	7	-	21	7,700	7,700	7,700	-	13,860	4.06	23,100	6.77	27,720	8.12	1,246	1,780	2,492	3.8	10.3
	7	7	9	-	23	7,304	7,304	9,391	-	14,400	4.22	24,000	7.03	28,800	8.44	1,260	1,800	2,520	3.9	10.6
	7	9	9	-	25	6,720	8,640	8,640	-	14,400	4.22	24,000	7.03	28,800	8.44	1,260	1,800	2,520	3.9	10.6
	7	7	12	-	26	6,462	6,462	11,077	-	14,400	4.22	24,000	7.03	28,800	8.44	1,260	1,800	2,520	3.9	10.6
	9	9	9	-	27	8,000	8,000	8,000	-	14,400	4.22	24,000	7.03	28,800	8.44	1,260	1,800	2,520	3.9	10.6
	7	9	12	-	28	6,000	7,714	10,286	-	14,400	4.22	24,000	7.03	28,800	8.44	1,260	1,800	2,520	3.9	10.6
	7	7	15	-	29	5,793	5,793	12,414	-	14,400	4.22	24,000	7.03	28,800	8.44	1,260	1,800	2,520	3.9	10.6
	9	9	12	-	30	7,200	7,200	9,600	-	14,400	4.22	24,000	7.03	28,800	8.44	1,260	1,800	2,520	3.9	10.6
	7	9	15	-	31	5,419	6,968	11,613	-	14,400	4.22	24,000	7.03	28,800	8.44	1,260	1,800	2,520	3.9	10.6
	7	12	12	-	31	5,419	9,290	9,290	-	14,400	4.22	24,000	7.03	28,800	8.44	1,260	1,800	2,520	3.9	10.6
	7	7	18	-	32	5,250	5,250	13,500	-	14,400	4.22	24,000	7.03	28,800	8.44	1,260	1,800	2,520	3.9	10.6
	9	9	15	-	33	6,545	6,545	10,909	-	14,400	4.22	24,000	7.03	28,800	8.44	1,260	1,800	2,520	3.9	10.6
9	12	12	-	33	6,545	8,727	8,727	-	14,400	4.22	24,000	7.03	28,800	8.44	1,260	1,800	2,520	3.9	10.6	
<b>Ducted Indoor Units</b>																				
Two Units	9	9	-	-	18	9,281	9,281	-	-	11,138	3.26	18,563	5.44	21,347	6.26	1,275	1,822	2,551	3.0	8.5
	9	12	-	-	21	9,281	12,375	-	-	12,994	3.81	21,656	6.35	24,905	7.3	1,410	2,014	2,580	3.2	9.0
	12	12	-	-	24	11,200	11,200	-	-	13,440	3.94	22,400	6.57	25,760	7.55	1,447	2,067	2,580	3.2	9.1
	9	18	-	-	27	7,467	14,933	-	-	13,440	3.94	22,400	6.57	25,760	7.55	1,447	2,067	2,580	3.2	9.1
Three Units	12	18	-	-	30	8,960	13,440	-	-	13,440	3.94	22,400	6.57	25,760	7.55	1,447	2,067	2,580	3.2	9.1
	9	9	9	-	27	7,467	7,467	7,467	-	13,440	3.94	22,400	6.57	26,880	7.88	1,343	1,918	2,685	3.4	9.8
	9	9	12	-	30	6,720	6,720	8,960	-	13,440	3.94	22,400	6.57	26,880	7.88	1,343	1,918	2,685	3.4	9.8
	9	12	12	-	33	6,109	8,145	8,145	-	13,440	3.94	22,400	6.57	26,880	7.88	1,343	1,918	2,685	3.4	9.8

Note:

1. Capacity as rated:
  - 0 ft. above sea level with 25 ft. of refrigerant piping.
  - 0 ft. level difference between outdoor and indoor units.
2. Heating capacity rating obtained with air entering the indoor unit at 70°F dry bulb (DB) and 60°F wet bulb (WB), and outdoor ambient conditions of 47°F dry bulb (DB) and 43°F wet bulb (WB).
3. Wiring cable size must comply with the applicable local and national codes.
4. The specification may be subject to change without prior notice for purpose of improvement.
5. At least two indoor units must be connected.
6. Combination tables with calculated SEER and HSPF are outside the scope of AHRI 1230 test standard.

**FOR PROPER SYSTEM OPERATION:**

1. At least two operable indoor units must be connected to the outdoor unit.
2. Total connected indoor unit nominal capacity must be a minimum 40% and a maximum of 133% of outdoor unit nominal capacity.
3. To calculate the connected total indoor unit nominal capacity, simply sum up the nominal capacities of all indoor units.
  - For high static duct and vertical-horizontal air handling indoor units, a 1.3 multiplier must first be applied before adding to the sum of other smaller indoor unit types.
  - When high static duct and/or vertical-horizontal air handling indoor units are the **only** connected indoor units, the multiplier is 1.2.

# COMBINATION TABLES

## LMU24CHV

Table 6: LMU24CHV with Mixed Indoor Units — Rated Heating Combination Table.

Heating Capacity																				
No. of Indoor Units	Indoor Unit Combination (kBtu/h)					Room Capacity (Btu/h)				Total Capacity						Input (W)			COP	HSPF
	IDU 1	IDU 2	IDU 3	IDU 4	Total	Unit 1	Unit 2	Unit 3	Unit 4	Minimum		Rated		Maximum		Min.	Rated	Max.		
										Btu/h	kW	Btu/h	kW	Btu/h	kW					
<b>Mixed Indoor Units</b>																				
Two Units	7	9	-	-	16	7,459	9,591	-	-	10,230	3.00	17,050	5.00	19,608	5.75	1,171	1,673	2,342	3.0	8.3
	9	9	-	-	18	9,591	9,591	-	-	11,509	3.37	19,181	5.62	22,058	6.46	1,236	1,766	2,472	3.2	8.9
	7	12	-	-	19	7,459	12,788	-	-	12,148	3.56	20,247	5.93	23,284	6.82	1,272	1,818	2,545	3.3	9.1
	9	12	-	-	21	9,591	12,788	-	-	13,427	3.94	22,378	6.56	25,735	7.54	1,366	1,952	2,580	3.4	9.4
	9	15	-	-	24	8,719	14,531	-	-	13,950	4.09	23,250	6.81	26,738	7.84	1,403	2,004	2,580	3.4	9.5
	12	12	-	-	24	11,625	11,625	-	-	13,950	4.09	23,250	6.81	26,738	7.84	1,403	2,004	2,580	3.4	9.5
	7	18	-	-	25	6,510	16,740	-	-	13,950	4.09	23,250	6.81	26,738	7.84	1,403	2,004	2,580	3.4	9.5
	9	18	-	-	27	7,750	15,500	-	-	13,950	4.09	23,250	6.81	26,738	7.84	1,403	2,004	2,580	3.4	9.5
	12	15	-	-	27	10,333	12,917	-	-	13,950	4.09	23,250	6.81	26,738	7.84	1,403	2,004	2,580	3.4	9.5
	12	18	-	-	30	9,300	13,950	-	-	13,950	4.09	23,250	6.81	26,738	7.84	1,403	2,004	2,580	3.4	9.5
15	18	-	-	33	10,568	12,682	-	-	13,950	4.09	23,250	6.81	26,738	7.84	1,403	2,004	2,580	3.4	9.5	
9	24*	-	-	33	6,341	16,909	-	-	13,950	4.09	23,250	6.81	26,738	7.84	1,403	2,004	2,580	3.4	9.5	
Three Units	7	7	9	-	23	7,076	7,076	9,098	-	13,950	4.09	23,250	6.81	27,900	8.18	1,301	1,859	2,603	3.7	10.2
	7	9	9	-	25	6,510	8,370	8,370	-	13,950	4.09	23,250	6.81	27,900	8.18	1,301	1,859	2,603	3.7	10.2
	7	7	12	-	26	6,260	6,260	10,731	-	13,950	4.09	23,250	6.81	27,900	8.18	1,301	1,859	2,603	3.7	10.2
	9	9	9	-	27	7,750	7,750	7,750	-	13,950	4.09	23,250	6.81	27,900	8.18	1,301	1,859	2,603	3.7	10.2
	7	9	12	-	28	5,813	7,473	9,964	-	13,950	4.09	23,250	6.81	27,900	8.18	1,301	1,859	2,603	3.7	10.2
	9	9	12	-	30	6,975	6,975	9,300	-	13,950	4.09	23,250	6.81	27,900	8.18	1,301	1,859	2,603	3.7	10.2
	7	9	15	-	31	5,250	6,750	11,250	-	13,950	4.09	23,250	6.81	27,900	8.18	1,301	1,859	2,603	3.7	10.2
	7	12	12	-	31	5,250	9,000	9,000	-	13,950	4.09	23,250	6.81	27,900	8.18	1,301	1,859	2,603	3.7	10.2
	7	7	18	-	32	5,086	5,086	13,078	-	13,950	4.09	23,250	6.81	27,900	8.18	1,301	1,859	2,603	3.7	10.2
	9	9	15	-	33	6,341	6,341	10,568	-	13,950	4.09	23,250	6.81	27,900	8.18	1,301	1,859	2,603	3.7	10.2
9	12	12	-	33	6,341	8,455	8,455	-	13,950	4.09	23,250	6.81	27,900	8.18	1,301	1,859	2,603	3.7	10.2	

Note:

1. Capacity as rated:
  - 0 ft. above sea level with 25 ft. of refrigerant piping.
  - 0 ft. level difference between outdoor and indoor units.
2. Heating capacity rating obtained with air entering the indoor unit at 70°F dry bulb (DB) and 60°F wet bulb (WB), and outdoor ambient conditions of 47°F dry bulb (DB) and 43°F wet bulb (WB).
3. Wiring cable size must comply with the applicable local and national codes.
4. The specification may be subject to change without prior notice for purpose of improvement.
5. At least two indoor units must be connected.
6. Combination tables with calculated SEER and HSPF are outside the scope of AHRI 1230 test standard.
- \*The indoor unit must be a non-ducted type.



**FOR PROPER SYSTEM OPERATION:**

1. At least two operable indoor units must be connected to the outdoor unit.
2. Total connected indoor unit nominal capacity must be a minimum 40% and a maximum of 133% of outdoor unit nominal capacity.
3. To calculate the connected total indoor unit nominal capacity, simply sum up the nominal capacities of all indoor units.
  - For high static duct and vertical-horizontal air handling indoor units, a 1.3 multiplier must first be applied before adding to the sum of other smaller indoor unit types.
  - When high static duct and/or vertical-horizontal air handling indoor units are the **only** connected indoor units, the multiplier is 1.2.

# COMBINATION TABLES

## LMU30CHV

Table 7: LMU30CHV with Non-Ducted Indoor Units – Rated Cooling Combination Table.

No. of Indoor Units		Cooling Capacity																				EER	SEER
		Indoor Unit Combination (kBtu/h)					Room Capacity (Btu/h)				Total Capacity						Input (W)						
		IDU 1	IDU 2	IDU 3	IDU 4	Total	Unit 1	Unit 2	Unit 3	Unit 4	Minimum		Rated		Maximum		Min.	Rated	Max.				
											Btu/h	kW	Btu/h	kW	Btu/h	kW							
<b>Non-Ducted Indoor Units</b>																							
Two Units	7	7	-	-	14	7,000	7,000	-	-	8,400	2.46	14,000	4.10	15,540	4.55	936	1,337	1,872	10.5	17.7			
	7	9	-	-	16	7,000	9,000	-	-	9,600	2.81	16,000	4.69	17,760	5.21	1,053	1,504	2,106	10.6	18.0			
	9	9	-	-	18	9,000	9,000	-	-	10,800	3.17	18,000	5.28	19,980	5.86	1,184	1,691	2,367	10.6	18.0			
	7	12	-	-	19	7,000	12,000	-	-	11,400	3.34	19,000	5.57	21,090	6.18	1,239	1,769	2,477	10.7	18.2			
	9	12	-	-	21	9,000	12,000	-	-	12,600	3.69	21,000	6.15	23,310	6.83	1,356	1,936	2,711	10.8	18.4			
	7	15	-	-	22	7,000	15,000	-	-	13,200	3.87	22,000	6.45	24,420	7.16	1,404	2,005	2,807	11.0	18.6			
	9	15	-	-	24	9,000	15,000	-	-	14,400	4.22	24,000	7.03	26,640	7.81	1,500	2,143	3,000	11.2	19.0			
	12	12	-	-	24	12,000	12,000	-	-	14,400	4.22	24,000	7.03	26,640	7.81	1,500	2,143	3,000	11.2	19.0			
	7	18	-	-	25	7,000	18,000	-	-	15,000	4.40	25,000	7.33	27,750	8.13	1,555	2,222	3,110	11.3	19.1			
	9	18	-	-	27	9,000	18,000	-	-	16,200	4.75	27,000	7.91	29,970	8.78	1,665	2,379	3,330	11.4	19.2			
	12	15	-	-	27	12,000	15,000	-	-	16,200	4.75	27,000	7.91	29,970	8.78	1,665	2,379	3,330	11.4	19.2			
	12	18	-	-	30	12,000	18,000	-	-	18,000	5.28	30,000	8.79	33,300	9.76	1,810	2,585	3,619	11.6	19.7			
	15	15	-	-	30	15,000	15,000	-	-	18,000	5.28	30,000	8.79	33,300	9.76	1,810	2,585	3,619	11.6	19.7			
	7	24	-	-	31	6,774	23,226	-	-	18,000	5.28	30,000	8.79	33,300	9.76	1,810	2,585	3,619	11.6	19.7			
	9	24	-	-	33	8,182	21,818	-	-	18,000	5.28	30,000	8.79	33,300	9.76	1,810	2,585	3,619	11.6	19.7			
15	18	-	-	33	13,636	16,364	-	-	18,000	5.28	30,000	8.79	33,300	9.76	1,810	2,585	3,619	11.6	19.7				
18	18	-	-	36	15,000	15,000	-	-	18,000	5.28	30,000	8.79	33,300	9.76	1,810	2,585	3,619	11.6	19.7				
12	24	-	-	36	10,000	20,000	-	-	18,000	5.28	30,000	8.79	33,300	9.76	1,810	2,585	3,619	11.6	19.7				
15	24	-	-	39	11,538	18,462	-	-	18,000	5.28	30,000	8.79	33,300	9.76	1,810	2,585	3,619	11.6	19.7				
Three Units	7	7	7	-	21	7,000	7,000	7,000	-	12,600	3.69	21,000	6.15	24,150	7.08	1,314	1,877	2,628	11.2	18.9			
	7	7	9	-	23	7,000	7,000	9,000	-	13,800	4.04	23,000	6.74	26,450	7.75	1,417	2,025	2,835	11.4	19.2			
	7	9	9	-	25	7,000	9,000	9,000	-	15,000	4.40	25,000	7.33	28,750	8.43	1,528	2,182	3,055	11.5	19.4			
	7	7	12	-	26	7,000	7,000	12,000	-	15,600	4.57	26,000	7.62	29,900	8.76	1,555	2,222	3,110	11.7	19.8			
	9	9	9	-	27	9,000	9,000	9,000	-	16,200	4.75	27,000	7.91	31,050	9.10	1,583	2,261	3,165	11.9	20.2			
	7	9	12	-	28	7,000	9,000	12,000	-	16,800	4.92	28,000	8.21	32,200	9.44	1,617	2,310	3,234	12.1	20.5			
	7	7	15	-	29	7,000	7,000	15,000	-	17,400	5.10	29,000	8.50	33,350	9.77	1,651	2,359	3,303	12.3	20.8			
	9	9	12	-	30	9,000	9,000	12,000	-	18,000	5.28	30,000	8.79	34,500	10.11	1,693	2,418	3,385	12.4	21.0			
	7	9	15	-	31	6,774	8,710	14,516	-	18,000	5.28	30,000	8.79	34,500	10.11	1,693	2,418	3,385	12.4	21.0			
	7	12	12	-	31	6,774	11,613	11,613	-	18,000	5.28	30,000	8.79	34,500	10.11	1,693	2,418	3,385	12.4	21.0			
	7	7	18	-	32	6,563	6,563	16,875	-	18,000	5.28	30,000	8.79	34,500	10.11	1,693	2,418	3,385	12.4	21.0			
	9	9	15	-	33	8,182	8,182	13,636	-	18,000	5.28	30,000	8.79	34,500	10.11	1,693	2,418	3,385	12.4	21.0			
	9	12	12	-	33	8,182	10,909	10,909	-	18,000	5.28	30,000	8.79	34,500	10.11	1,693	2,418	3,385	12.4	21.0			
	7	9	18	-	34	6,176	7,941	15,882	-	18,000	5.28	30,000	8.79	34,500	10.11	1,693	2,418	3,385	12.4	21.0			
	7	12	15	-	34	6,176	10,588	13,235	-	18,000	5.28	30,000	8.79	34,500	10.11	1,693	2,418	3,385	12.4	21.0			
	9	9	18	-	36	7,500	7,500	15,000	-	18,000	5.28	30,000	8.79	34,500	10.11	1,693	2,418	3,385	12.4	21.0			
	9	12	15	-	36	7,500	10,000	12,500	-	18,000	5.28	30,000	8.79	34,500	10.11	1,693	2,418	3,385	12.4	21.0			
	12	12	12	-	36	10,000	10,000	10,000	-	18,000	5.28	30,000	8.79	34,500	10.11	1,693	2,418	3,385	12.4	21.0			
	7	12	18	-	37	5,676	9,730	14,595	-	18,000	5.28	30,000	8.79	34,500	10.11	1,693	2,418	3,385	12.4	21.0			
	7	15	15	-	37	5,676	12,162	12,162	-	18,000	5.28	30,000	8.79	34,500	10.11	1,693	2,418	3,385	12.4	21.0			
	7	7	24	-	38	5,526	5,526	18,947	-	18,000	5.28	30,000	8.79	34,500	10.11	1,693	2,418	3,385	12.4	21.0			
9	12	18	-	39	6,923	9,231	13,846	-	18,000	5.28	30,000	8.79	34,500	10.11	1,693	2,418	3,385	12.4	21.0				
9	15	15	-	39	6,923	11,538	11,538	-	18,000	5.28	30,000	8.79	34,500	10.11	1,693	2,418	3,385	12.4	21.0				
12	12	15	-	39	9,231	9,231	11,538	-	18,000	5.28	30,000	8.79	34,500	10.11	1,693	2,418	3,385	12.4	21.0				
7	9	24	-	40	5,250	6,750	18,000	-	18,000	5.28	30,000	8.79	34,500	10.11	1,693	2,418	3,385	12.4	21.0				
7	15	18	-	40	5,250	11,250	13,500	-	18,000	5.28	30,000	8.79	34,500	10.11	1,693	2,418	3,385	12.4	21.0				

Note:

1. Capacity as rated:
  - 0 ft. above sea level with 25 ft. of refrigerant piping.
  - 0 ft. level difference between outdoor and indoor units.
2. Cooling capacity rating obtained with air entering the indoor unit at 80°F dry bulb (DB) and 67°F wet bulb (WB), and outdoor ambient conditions of 95°F dry bulb (DB) and 75°F wet bulb (WB).
3. Wiring cable size must comply with the applicable local and national codes.
4. The specification may be subject to change without prior notice for purpose of improvement.
5. At least two indoor units must be connected.
6. Combination tables with calculated SEER and HSPF are outside the scope of AHRI 1230 test standard.

**FOR PROPER SYSTEM OPERATION:**

1. At least two operable indoor units must be connected to the outdoor unit.
2. Total connected indoor unit nominal capacity must be a minimum 40% and a maximum of 133% of outdoor unit nominal capacity.
3. To calculate the connected total indoor unit nominal capacity, simply sum up the nominal capacities of all indoor units.
  - For high static duct and vertical-horizontal air handling indoor units, a 1.3 multiplier must first be applied before adding to the sum of other smaller indoor unit types.
  - When high static duct and/or vertical-horizontal air handling indoor units are the **only** connected indoor units, the multiplier is 1.2.

# COMBINATION TABLES

## LMU30CHV

Table 8: LMU30CHV with Non-Ducted, Ducted and Mixed Indoor Units – Rated Cooling Combination Table.

Cooling Capacity																				
No. of Indoor Units	Indoor Unit Combination (kBtu/h)					Room Capacity (Btu/h)				Total Capacity						Input (W)			EER	SEER
	IDU 1	IDU 2	IDU 3	IDU 4	Total	Unit 1	Unit 2	Unit 3	Unit 4	Minimum		Rated		Maximum		Min.	Rated	Max.		
										Btu/h	kW	Btu/h	kW	Btu/h	kW					
<b>Non-Ducted Indoor Units</b>																				
Four Units	7	7	7	7	28	7,000	7,000	7,000	7,000	16,800	4.92	28,000	8.21	33,600	9.85	1,514	2,163	3,028	12.9	21.9
	7	7	7	9	30	7,000	7,000	7,000	9,000	18,000	5.28	30,000	8.79	36,000	10.55	1,617	2,310	3,234	13.0	22.0
	7	7	9	9	32	6,563	6,563	8,438	8,438	18,000	5.28	30,000	8.79	36,000	10.55	1,617	2,310	3,234	13.0	22.0
	7	7	7	12	33	6,364	6,364	6,364	10,909	18,000	5.28	30,000	8.79	36,000	10.55	1,617	2,310	3,234	13.0	22.0
	7	9	9	9	34	6,176	7,941	7,941	7,941	18,000	5.28	30,000	8.79	36,000	10.55	1,617	2,310	3,234	13.0	22.0
	7	7	9	12	35	6,000	6,000	7,714	10,286	18,000	5.28	30,000	8.79	36,000	10.55	1,617	2,310	3,234	13.0	22.0
	7	7	7	15	36	5,833	5,833	5,833	12,500	18,000	5.28	30,000	8.79	36,000	10.55	1,617	2,310	3,234	13.0	22.0
	9	9	9	9	36	7,500	7,500	7,500	7,500	18,000	5.28	30,000	8.79	36,000	10.55	1,617	2,310	3,234	13.0	22.0
	7	9	9	12	37	5,676	7,297	7,297	9,730	18,000	5.28	30,000	8.79	36,000	10.55	1,617	2,310	3,234	13.0	22.0
	7	7	9	15	38	5,526	5,526	7,105	11,842	18,000	5.28	30,000	8.79	36,000	10.55	1,617	2,310	3,234	13.0	22.0
	7	7	12	12	38	5,526	5,526	9,474	9,474	18,000	5.28	30,000	8.79	36,000	10.55	1,617	2,310	3,234	13.0	22.0
	7	7	7	18	39	5,385	5,385	5,385	13,846	18,000	5.28	30,000	8.79	36,000	10.55	1,617	2,310	3,234	13.0	22.0
	9	9	9	12	39	6,923	6,923	6,923	9,231	18,000	5.28	30,000	8.79	36,000	10.55	1,617	2,310	3,234	13.0	22.0
7	9	9	15	40	5,250	6,750	6,750	11,250	18,000	5.28	30,000	8.79	36,000	10.55	1,617	2,310	3,234	13.0	22.0	
7	9	12	12	40	5,250	6,750	9,000	9,000	18,000	5.28	30,000	8.79	36,000	10.55	1,617	2,310	3,234	13.0	22.0	
<b>Ducted Indoor Units</b>																				
Two Units	9	9	-	-	18	7,809	7,809	-	-	9,371	2.75	15,618	4.58	17,336	5.08	1,276	1,823	2,552	8.6	14.2
	9	12	-	-	21	7,809	10,412	-	-	10,933	3.20	18,221	5.34	20,225	5.93	1,462	2,088	2,923	8.7	14.4
	12	12	-	-	24	10,412	10,412	-	-	12,494	3.66	20,824	6.10	23,115	6.77	1,618	2,311	3,235	9.0	14.9
	9	18	-	-	27	7,809	15,618	-	-	14,056	4.12	23,427	6.87	26,004	7.62	1,796	2,565	3,591	9.1	15.1
	12	18	-	-	30	10,412	15,618	-	-	15,618	4.58	26,030	7.63	28,893	8.47	1,951	2,788	3,903	9.3	15.4
18	18	-	-	36	13,700	13,700	-	-	16,440	4.82	27,400	8.03	30,414	8.91	1,951	2,788	3,903	9.8	16.3	
Three Units	9	9	9	-	27	7,809	7,809	7,809	-	14,056	4.12	23,427	6.87	26,941	7.90	1,707	2,438	3,413	9.6	15.9
	9	9	12	-	30	7,809	7,809	10,412	-	15,618	4.58	26,030	7.63	29,935	8.77	1,825	2,608	3,651	10.0	16.5
	9	12	12	-	33	7,473	9,964	9,964	-	16,440	4.82	27,400	8.03	31,510	9.24	1,825	2,608	3,651	10.5	17.4
	9	9	18	-	36	6,850	6,850	13,700	-	16,440	4.82	27,400	8.03	31,510	9.24	1,825	2,608	3,651	10.5	17.4
	12	12	12	-	36	9,133	9,133	9,133	-	16,440	4.82	27,400	8.03	31,510	9.24	1,825	2,608	3,651	10.5	17.4
Four Units	9	12	18	-	39	6,323	8,431	12,646	-	16,440	4.82	27,400	8.03	31,510	9.24	1,825	2,608	3,651	10.5	17.4
	9	9	9	9	36	6,850	6,850	6,850	6,850	16,440	4.82	27,400	8.03	32,880	9.64	1,744	2,491	3,487	11.0	18.2
	9	9	9	12	39	6,323	6,323	6,323	8,431	16,440	4.82	27,400	8.03	32,880	9.64	1,744	2,491	3,487	11.0	18.2
<b>Mixed Indoor Units</b>																				
Two Units	7	9	-	-	16	6,537	8,405	-	-	8,965	2.63	14,941	4.38	16,585	4.86	1,094	1,563	2,188	9.6	16.1
	9	9	-	-	18	8,405	8,405	-	-	10,085	2.96	16,809	4.93	18,658	5.47	1,230	1,757	2,460	9.6	16.1
	7	12	-	-	19	6,537	11,206	-	-	10,646	3.12	17,743	5.20	19,695	5.77	1,287	1,839	2,574	9.6	16.2
	9	12	-	-	21	8,405	11,206	-	-	11,766	3.45	19,611	5.75	21,768	6.38	1,409	2,012	2,817	9.7	16.4
	9	15	-	-	24	8,405	14,008	-	-	13,447	3.94	22,412	6.57	24,877	7.29	1,559	2,227	3,118	10.1	16.9
	12	12	-	-	24	11,206	11,206	-	-	13,447	3.94	22,412	6.57	24,877	7.29	1,559	2,227	3,118	10.1	16.9
	7	18	-	-	25	6,537	16,809	-	-	14,008	4.11	23,346	6.84	25,914	7.59	1,616	2,309	3,232	10.1	17.0
	9	18	-	-	27	8,405	16,809	-	-	15,128	4.43	25,214	7.39	27,987	8.20	1,730	2,472	3,461	10.2	17.2
	12	15	-	-	27	11,206	14,008	-	-	15,128	4.43	25,214	7.39	27,987	8.20	1,730	2,472	3,461	10.2	17.2
	12	18	-	-	30	11,206	16,809	-	-	16,809	4.93	28,015	8.21	31,097	9.11	1,881	2,686	3,761	10.4	17.6
	7	24	-	-	31	6,403	21,954	-	-	17,015	4.99	28,358	8.31	31,477	9.23	1,881	2,686	3,761	10.6	17.8
	9	24*	-	-	33	7,827	20,873	-	-	17,220	5.05	28,700	8.41	31,857	9.34	1,881	2,686	3,761	10.7	18.0
	15	18	-	-	33	13,045	15,655	-	-	17,220	5.05	28,700	8.41	31,857	9.34	1,881	2,686	3,761	10.7	18.0
	18	18	-	-	36	14,350	14,350	-	-	17,220	5.05	28,700	8.41	31,857	9.34	1,881	2,686	3,761	10.7	18.0
	12	24*	-	-	36	9,567	19,133	-	-	17,220	5.05	28,700	8.41	31,857	9.34	1,881	2,686	3,761	10.7	18.0
15	24*	-	-	39	11,038	17,662	-	-	17,220	5.05	28,700	8.41	31,857	9.34	1,881	2,686	3,761	10.7	18.0	

Note:

1. Capacity as rated: 0 ft. above sea level with 25 ft. of refrigerant piping.
2. Cooling capacity rating obtained with air entering the indoor unit at 80°F dry bulb (DB) and 67°F wet bulb (WB), and outdoor ambient conditions of 95°F dry bulb (DB) and 75°F wet bulb (WB).
3. Wiring cable size must comply with the applicable local and national codes.
4. The specification may be subject to change without prior notice for purpose of improvement.
5. At least two indoor units must be connected.
6. Combination tables with calculated SEER and HSPF are outside the scope of AHRI 1230 test standard.

\*The indoor unit must be a non-ducted type.

**FOR PROPER SYSTEM OPERATION:**

1. At least two operable indoor units must be connected to the outdoor unit.
2. Total connected indoor unit nominal capacity must be a minimum 40% and a maximum of 133% of outdoor unit nominal capacity.
3. To calculate the connected total indoor unit nominal capacity, simply sum up the nominal capacities of all indoor units.
  - For high static duct and vertical-horizontal air handling indoor units, a 1.3 multiplier must first be applied before adding to the sum of other smaller indoor unit types.
  - When high static duct and/or vertical-horizontal air handling indoor units are the **only** connected indoor units, the multiplier is 1.2.

# COMBINATION TABLES

## LMU30CHV

Table 9: LMU30CHV with Mixed Indoor Units – Rated Cooling Combination Table.

Cooling Capacity																					
No. of Indoor Units	Indoor Unit Combination (kBtu/h)					Room Capacity (Btu/h)				Total Capacity						Input (W)			EER	SEER	
	IDU 1	IDU 2	IDU 3	IDU 4	Total	Unit 1	Unit 2	Unit 3	Unit 4	Minimum		Rated		Maximum		Min.	Rated	Max.			
										Btu/h	kW	Btu/h	kW	Btu/h	kW						
<b>Mixed Indoor Units</b>																					
Three Units	7	7	9	-	23	6,537	6,537	8,405	-	12,887	3.78	21,478	6.29	24,700	7.24	1,473	2,104	2,946	10.2	17.2	
	7	9	9	-	25	6,537	8,405	8,405	-	14,008	4.11	23,346	6.84	26,848	7.87	1,587	2,268	3,175	10.3	17.3	
	7	7	12	-	26	6,537	6,537	11,206	-	14,568	4.27	24,280	7.12	27,922	8.18	1,616	2,309	3,232	10.5	17.7	
	9	9	9	-	27	8,405	8,405	8,405	-	15,128	4.43	25,214	7.39	28,996	8.50	1,645	2,349	3,289	10.7	18.1	
	7	9	12	-	28	6,537	8,405	11,206	-	15,688	4.60	26,147	7.66	30,069	8.81	1,680	2,400	3,361	10.9	18.3	
	9	9	12	-	30	8,405	8,405	11,206	-	16,809	4.93	28,015	8.21	32,217	9.44	1,759	2,513	3,518	11.1	18.8	
	7	9	15	-	31	6,326	8,133	13,556	-	16,809	4.93	28,015	8.21	32,217	9.44	1,759	2,513	3,518	11.1	18.8	
	7	12	12	-	31	6,403	10,977	10,977	-	17,015	4.99	28,358	8.31	32,611	9.56	1,759	2,513	3,518	11.3	19.0	
	7	7	18	-	32	6,278	6,278	16,144	-	17,220	5.05	28,700	8.41	33,005	9.67	1,759	2,513	3,518	11.4	19.2	
	9	9	15	-	33	7,827	7,827	13,045	-	17,220	5.05	28,700	8.41	33,005	9.67	1,759	2,513	3,518	11.4	19.2	
	9	12	12	-	33	7,827	10,436	10,436	-	17,220	5.05	28,700	8.41	33,005	9.67	1,759	2,513	3,518	11.4	19.2	
	7	9	18	-	34	5,909	7,597	15,194	-	17,220	5.05	28,700	8.41	33,005	9.67	1,759	2,513	3,518	11.4	19.2	
	7	12	15	-	34	5,909	10,129	12,662	-	17,220	5.05	28,700	8.41	33,005	9.67	1,759	2,513	3,518	11.4	19.2	
	9	9	18	-	36	7,175	7,175	14,350	-	17,220	5.05	28,700	8.41	33,005	9.67	1,759	2,513	3,518	11.4	19.2	
	9	12	15	-	36	7,175	9,567	11,958	-	17,220	5.05	28,700	8.41	33,005	9.67	1,759	2,513	3,518	11.4	19.2	
	12	12	12	-	36	9,567	9,567	9,567	-	17,220	5.05	28,700	8.41	33,005	9.67	1,759	2,513	3,518	11.4	19.2	
	7	12	18	-	37	5,430	9,308	13,962	-	17,220	5.05	28,700	8.41	33,005	9.67	1,759	2,513	3,518	11.4	19.2	
	7	7	24*	-	38	5,287	5,287	18,126	-	17,220	5.05	28,700	8.41	33,005	9.67	1,759	2,513	3,518	11.4	19.2	
	9	12	18	-	39	6,623	8,831	13,246	-	17,220	5.05	28,700	8.41	33,005	9.67	1,759	2,513	3,518	11.4	19.2	
	9	15	15	-	39	6,623	11,038	11,038	-	17,220	5.05	28,700	8.41	33,005	9.67	1,759	2,513	3,518	11.4	19.2	
12	12	15	-	39	8,831	8,831	11,038	-	17,220	5.05	28,700	8.41	33,005	9.67	1,759	2,513	3,518	11.4	19.2		
7	9	24*	-	40	5,023	6,458	17,220	-	17,220	5.05	28,700	8.41	33,005	9.67	1,759	2,513	3,518	11.4	19.2		
7	15	18	-	40	5,023	10,763	12,915	-	17,220	5.05	28,700	8.41	33,005	9.67	1,759	2,513	3,518	11.4	19.2		
Four Units	7	7	7	9	30	6,537	6,537	6,537	8,405	16,809	4.93	28,015	8.21	33,618	9.85	1,680	2,400	3,361	11.7	19.6	
	7	7	9	9	32	6,278	6,278	8,072	8,072	17,220	5.05	28,700	8.41	34,440	10.09	1,680	2,400	3,361	12.0	20.1	
	7	7	7	12	33	6,088	6,088	6,088	10,436	17,220	5.05	28,700	8.41	34,440	10.09	1,680	2,400	3,361	12.0	20.1	
	7	9	9	9	34	5,909	7,597	7,597	7,597	17,220	5.05	28,700	8.41	34,440	10.09	1,680	2,400	3,361	12.0	20.1	
	7	7	9	12	35	5,740	5,740	7,380	9,840	17,220	5.05	28,700	8.41	34,440	10.09	1,680	2,400	3,361	12.0	20.1	
	9	9	9	9	36	7,175	7,175	7,175	7,175	17,220	5.05	28,700	8.41	34,440	10.09	1,680	2,400	3,361	12.0	20.1	
	7	9	9	12	37	5,430	6,981	6,981	9,308	17,220	5.05	28,700	8.41	34,440	10.09	1,680	2,400	3,361	12.0	20.1	
	7	7	9	15	38	5,287	5,287	6,797	11,329	17,220	5.05	28,700	8.41	34,440	10.09	1,680	2,400	3,361	12.0	20.1	
	7	7	12	12	38	5,287	5,287	9,063	9,063	17,220	5.05	28,700	8.41	34,440	10.09	1,680	2,400	3,361	12.0	20.1	
	7	7	7	18	39	5,151	5,151	5,151	13,246	17,220	5.05	28,700	8.41	34,440	10.09	1,680	2,400	3,361	12.0	20.1	
	9	9	9	12	39	6,623	6,623	6,623	8,831	17,220	5.05	28,700	8.41	34,440	10.09	1,680	2,400	3,361	12.0	20.1	
	7	9	9	15	40	5,023	6,458	6,458	10,763	17,220	5.05	28,700	8.41	34,440	10.09	1,680	2,400	3,361	12.0	20.1	
	7	9	12	12	40	5,023	6,458	8,610	8,610	17,220	5.05	28,700	8.41	34,440	10.09	1,680	2,400	3,361	12.0	20.1	

Note:

1. Capacity as rated:
  - 0 ft. above sea level with 25 ft. of refrigerant piping.
  - 0 ft. level difference between outdoor and indoor units.
2. Cooling capacity rating obtained with air entering the indoor unit at 80°F dry bulb (DB) and 67°F wet bulb (WB), and outdoor ambient conditions of 95°F dry bulb (DB) and 75°F wet bulb (WB).
3. Wiring cable size must comply with the applicable local and national codes.
4. The specification may be subject to change without prior notice for purpose of improvement.
5. At least two indoor units must be connected.
6. Combination tables with calculated SEER and HSPF are outside the scope of AHRI 1230 test standard.
- \*The indoor unit must be a non-ducted type.

**FOR PROPER SYSTEM OPERATION:**

- At least two operable indoor units must be connected to the outdoor unit.
- Total connected indoor unit nominal capacity must be a minimum 40% and a maximum of 133% of outdoor unit nominal capacity.
- To calculate the connected total indoor unit nominal capacity, simply sum up the nominal capacities of all indoor units.
  - For high static duct and vertical-horizontal air handling indoor units, a 1.3 multiplier must first be applied before adding to the sum of other smaller indoor unit types.
  - When high static duct and/or vertical-horizontal air handling indoor units are the **only** connected indoor units, the multiplier is 1.2.

# COMBINATION TABLES

## LMU30CHV

Table 10: LMU30CHV with Non-Ducted Indoor Units – Rated Heating Combination Table.

No. of Indoor Units		Indoor Unit Combination (kBtu/h)					Room Capacity (Btu/h)				Total Capacity				Input (W)			COP	HSPF	
							Unit 1	Unit 2	Unit 3	Unit 4	Minimum		Rated		Maximum		Min.			Rated
		IDU 1	IDU 2	IDU 3	IDU 4	Total	Btu/h	kW	Btu/h	kW	Btu/h	kW	Btu/h	kW						
<b>Non-Ducted Indoor Units</b>																				
Two Units	7	7	-	-	14	7,700	7,700	-	-	9,240	2.71	15,400	4.51	16,940	4.96	1,043	1,490	2,086	3.0	8.0
	7	9	-	-	16	7,700	9,900	-	-	10,560	3.09	17,600	5.16	19,360	5.67	1,153	1,648	2,307	3.1	8.3
	9	9	-	-	18	9,900	9,900	-	-	11,880	3.48	19,800	5.80	21,780	6.38	1,276	1,824	2,553	3.2	8.4
	7	12	-	-	19	7,700	13,200	-	-	12,540	3.68	20,900	6.13	22,990	6.74	1,328	1,898	2,657	3.2	8.6
	9	12	-	-	21	9,900	13,200	-	-	13,860	4.06	23,100	6.77	25,410	7.45	1,438	2,055	2,877	3.3	8.7
	7	15	-	-	22	7,700	16,500	-	-	14,520	4.26	24,200	7.09	26,620	7.80	1,484	2,120	2,968	3.3	8.9
	9	15	-	-	24	9,900	16,500	-	-	15,840	4.64	26,400	7.74	29,040	8.51	1,575	2,249	3,149	3.4	9.1
	12	12	-	-	24	13,200	13,200	-	-	15,840	4.64	26,400	7.74	29,040	8.51	1,575	2,249	3,149	3.4	9.1
	7	18	-	-	25	7,700	19,800	-	-	16,500	4.84	27,500	8.06	30,250	8.87	1,626	2,323	3,253	3.5	9.2
	9	18	-	-	27	9,900	19,800	-	-	17,820	5.22	29,700	8.70	32,670	9.58	1,730	2,471	3,460	3.5	9.4
	12	15	-	-	27	13,200	16,500	-	-	17,820	5.22	29,700	8.70	32,670	9.58	1,730	2,471	3,460	3.5	9.4
	12	18	-	-	30	12,800	19,200	-	-	19,200	5.63	32,000	9.38	35,200	10.32	1,866	2,666	3,732	3.5	9.3
	15	15	-	-	30	16,000	16,000	-	-	19,200	5.63	32,000	9.38	35,200	10.32	1,866	2,666	3,732	3.5	9.3
	7	24	-	-	31	7,226	24,774	-	-	19,200	5.63	32,000	9.38	35,200	10.32	1,866	2,666	3,732	3.5	9.3
	9	24	-	-	33	8,727	23,273	-	-	19,200	5.63	32,000	9.38	35,200	10.32	1,866	2,666	3,732	3.5	9.3
15	18	-	-	33	14,545	17,455	-	-	19,200	5.63	32,000	9.38	35,200	10.32	1,866	2,666	3,732	3.5	9.3	
18	18	-	-	36	16,000	16,000	-	-	19,200	5.63	32,000	9.38	35,200	10.32	1,866	2,666	3,732	3.5	9.3	
12	24	-	-	36	10,667	21,333	-	-	19,200	5.63	32,000	9.38	35,200	10.32	1,866	2,666	3,732	3.5	9.3	
15	24	-	-	39	12,308	19,692	-	-	19,200	5.63	32,000	9.38	35,200	10.32	1,866	2,666	3,732	3.5	9.3	
Three Units	7	7	7	-	21	7,700	7,700	7,700	-	13,860	4.06	23,100	6.77	26,565	7.79	1,400	1,999	2,799	3.4	9.0
	7	7	9	-	23	7,700	7,700	9,900	-	15,180	4.45	25,300	7.42	29,095	8.53	1,497	2,138	2,994	3.5	9.2
	7	9	9	-	25	7,700	9,900	9,900	-	16,500	4.84	27,500	8.06	31,625	9.27	1,600	2,286	3,201	3.5	9.4
	7	7	12	-	26	7,700	7,700	13,200	-	17,160	5.03	28,600	8.38	32,890	9.64	1,626	2,323	3,253	3.6	9.6
	9	9	9	-	27	9,900	9,900	9,900	-	17,820	5.22	29,700	8.70	34,155	10.01	1,652	2,360	3,305	3.7	9.8
	7	9	12	-	28	7,700	9,900	13,200	-	18,480	5.42	30,800	9.03	35,420	10.38	1,685	2,407	3,369	3.8	10.0
	7	7	15	-	29	7,700	7,700	16,500	-	19,140	5.61	31,900	9.35	36,685	10.75	1,717	2,453	3,434	3.8	10.1
	9	9	12	-	30	9,600	9,600	12,800	-	19,200	5.63	32,000	9.38	36,800	10.79	1,756	2,509	3,512	3.7	9.9
	7	9	15	-	31	7,226	9,290	15,484	-	19,200	5.63	32,000	9.38	36,800	10.79	1,756	2,509	3,512	3.7	9.9
	7	12	12	-	31	7,226	12,387	12,387	-	19,200	5.63	32,000	9.38	36,800	10.79	1,756	2,509	3,512	3.7	9.9
	7	7	18	-	32	7,000	7,000	18,000	-	19,200	5.63	32,000	9.38	36,800	10.79	1,756	2,509	3,512	3.7	9.9
	9	9	15	-	33	8,727	8,727	14,545	-	19,200	5.63	32,000	9.38	36,800	10.79	1,756	2,509	3,512	3.7	9.9
	9	12	12	-	33	8,727	11,636	11,636	-	19,200	5.63	32,000	9.38	36,800	10.79	1,756	2,509	3,512	3.7	9.9
	7	9	18	-	34	6,588	8,471	16,941	-	19,200	5.63	32,000	9.38	36,800	10.79	1,756	2,509	3,512	3.7	9.9
	7	12	15	-	34	6,588	11,294	14,118	-	19,200	5.63	32,000	9.38	36,800	10.79	1,756	2,509	3,512	3.7	9.9
	9	9	18	-	36	8,000	8,000	16,000	-	19,200	5.63	32,000	9.38	36,800	10.79	1,756	2,509	3,512	3.7	9.9
	9	12	15	-	36	8,000	10,667	13,333	-	19,200	5.63	32,000	9.38	36,800	10.79	1,756	2,509	3,512	3.7	9.9
	12	12	12	-	36	10,667	10,667	10,667	-	19,200	5.63	32,000	9.38	36,800	10.79	1,756	2,509	3,512	3.7	9.9
	7	12	18	-	37	6,054	10,378	15,568	-	19,200	5.63	32,000	9.38	36,800	10.79	1,756	2,509	3,512	3.7	9.9
	7	15	15	-	37	6,054	12,973	12,973	-	19,200	5.63	32,000	9.38	36,800	10.79	1,756	2,509	3,512	3.7	9.9
	7	7	24	-	38	5,895	5,895	20,211	-	19,200	5.63	32,000	9.38	36,800	10.79	1,756	2,509	3,512	3.7	9.9
9	12	18	-	39	7,385	9,846	14,769	-	19,200	5.63	32,000	9.38	36,800	10.79	1,756	2,509	3,512	3.7	9.9	
9	15	15	-	39	7,385	12,308	12,308	-	19,200	5.63	32,000	9.38	36,800	10.79	1,756	2,509	3,512	3.7	9.9	
12	12	15	-	39	9,846	9,846	12,308	-	19,200	5.63	32,000	9.38	36,800	10.79	1,756	2,509	3,512	3.7	9.9	
7	9	24	-	40	5,600	7,200	19,200	-	19,200	5.63	32,000	9.38	36,800	10.79	1,756	2,509	3,512	3.7	9.9	
7	15	18	-	40	5,600	12,000	14,400	-	19,200	5.63	32,000	9.38	36,800	10.79	1,756	2,509	3,512	3.7	9.9	

Note:

- Capacity as rated:
  - 0 ft. above sea level with 25 ft. of refrigerant piping.
  - 0 ft. level difference between outdoor and indoor units.
- Heating capacity rating obtained with air entering the indoor unit at 70°F dry bulb (DB) and 60°F wet bulb (WB), and outdoor ambient conditions of 47°F dry bulb (DB) and 43°F wet bulb (WB).
- Wiring cable size must comply with the applicable local and national codes.
- The specification may be subject to change without prior notice for purpose of improvement.
- At least two indoor units must be connected.
- Combination tables with calculated SEER and HSPF are outside the scope of AHRI 1230 test standard.

**FOR PROPER SYSTEM OPERATION:**

- At least two operable indoor units must be connected to the outdoor unit.
- Total connected indoor unit nominal capacity must be a minimum 40% and a maximum of 133% of outdoor unit nominal capacity.
- To calculate the connected total indoor unit nominal capacity, simply sum up the nominal capacities of all indoor units.
  - For high static duct and vertical-horizontal air handling indoor units, a 1.3 multiplier must first be applied before adding to the sum of other smaller indoor unit types.
  - When high static duct and/or vertical-horizontal air handling indoor units are the **only** connected indoor units, the multiplier is 1.2.

# COMBINATION TABLES

## LMU30CHV

Table 11: LMU30CHV with Non-Ducted, Ducted and Mixed Indoor Units — Rated Heating Combination Table.

Heating Capacity																					
No. of Indoor Units	Indoor Unit Combination (kBtu/h)					Room Capacity (Btu/h)				Total Capacity						Input (W)			COP	HSPF	
	IDU 1	IDU 2	IDU 3	IDU 4	Total	Unit 1	Unit 2	Unit 3	Unit 4	Minimum		Rated		Maximum		Min.	Rated	Max.			
Non-Ducted Indoor Units																					
Four Units	7	7	7	7	28	7,700	7,700	7,700	7,700	18,480	5.42	30,800	9.03	36,960	10.83	1,691	2,416	3,382	3.7	9.9	
	7	7	7	9	30	7,467	7,467	7,467	9,600	19,200	5.63	32,000	9.38	38,400	11.25	1,743	2,490	3,486	3.8	10.0	
	7	7	9	9	32	7,000	7,000	9,000	9,000	19,200	5.63	32,000	9.38	38,400	11.25	1,743	2,490	3,486	3.8	10.0	
	7	7	7	12	33	6,788	6,788	6,788	11,636	19,200	5.63	32,000	9.38	38,400	11.25	1,743	2,490	3,486	3.8	10.0	
	7	9	9	9	34	6,588	8,471	8,471	8,471	19,200	5.63	32,000	9.38	38,400	11.25	1,743	2,490	3,486	3.8	10.0	
	7	7	9	12	35	6,400	6,400	8,229	10,971	19,200	5.63	32,000	9.38	38,400	11.25	1,743	2,490	3,486	3.8	10.0	
	7	7	7	15	36	6,222	6,222	6,222	13,333	19,200	5.63	32,000	9.38	38,400	11.25	1,743	2,490	3,486	3.8	10.0	
	9	9	9	9	36	8,000	8,000	8,000	8,000	19,200	5.63	32,000	9.38	38,400	11.25	1,743	2,490	3,486	3.8	10.0	
	7	9	9	12	37	6,054	7,784	7,784	10,378	19,200	5.63	32,000	9.38	38,400	11.25	1,743	2,490	3,486	3.8	10.0	
	7	7	9	15	38	5,895	5,895	7,579	12,632	19,200	5.63	32,000	9.38	38,400	11.25	1,743	2,490	3,486	3.8	10.0	
	7	7	12	12	38	5,895	5,895	10,105	10,105	19,200	5.63	32,000	9.38	38,400	11.25	1,743	2,490	3,486	3.8	10.0	
	7	7	7	18	39	5,744	5,744	5,744	14,769	19,200	5.63	32,000	9.38	38,400	11.25	1,743	2,490	3,486	3.8	10.0	
	9	9	9	12	39	7,385	7,385	7,385	9,846	19,200	5.63	32,000	9.38	38,400	11.25	1,743	2,490	3,486	3.8	10.0	
7	9	9	15	40	5,600	7,200	7,200	12,000	19,200	5.63	32,000	9.38	38,400	11.25	1,743	2,490	3,486	3.8	10.0		
7	9	12	12	40	5,600	7,200	9,600	9,600	19,200	5.63	32,000	9.38	38,400	11.25	1,743	2,490	3,486	3.8	10.0		
Ducted Indoor Units																					
Two Units	9	9	-	-	18	9,188	9,188	-	-	11,026	3.23	18,377	5.39	20,215	5.92	1,430	2,043	2,861	2.6	7.4	
	9	12	-	-	21	9,188	12,251	-	-	12,864	3.77	21,440	6.28	23,584	6.91	1,612	2,303	3,224	2.7	7.6	
	12	12	-	-	24	12,251	12,251	-	-	14,702	4.31	24,503	7.18	26,953	7.90	1,764	2,520	3,528	2.8	8.0	
	9	18	-	-	27	9,188	18,377	-	-	16,539	4.85	27,565	8.08	30,322	8.89	1,938	2,769	3,877	2.9	8.2	
	12	18	-	-	30	11,880	17,820	-	-	17,820	5.22	29,700	8.70	32,670	9.58	2,091	2,987	4,182	2.9	8.2	
	18	18	-	-	36	16,500	16,500	-	-	19,800	5.80	33,000	9.67	36,300	10.64	2,091	2,987	4,182	3.2	9.1	
Three Units	9	9	9	-	27	9,188	9,188	9,188	-	16,539	4.85	27,565	8.08	31,700	9.29	1,851	2,645	3,703	3.1	8.5	
	9	9	12	-	30	8,910	8,910	11,880	-	17,820	5.22	29,700	8.70	34,155	10.01	1,968	2,811	3,935	3.1	8.7	
	9	12	12	-	33	9,000	12,000	12,000	-	19,800	5.80	33,000	9.67	37,950	11.12	1,968	2,811	3,935	3.4	9.6	
	9	9	18	-	36	8,250	8,250	16,500	-	19,800	5.80	33,000	9.67	37,950	11.12	1,968	2,811	3,935	3.4	9.6	
	12	12	12	-	36	11,000	11,000	11,000	-	19,800	5.80	33,000	9.67	37,950	11.12	1,968	2,811	3,935	3.4	9.6	
Four Units	9	12	18	-	39	7,615	10,154	15,231	-	19,800	5.80	33,000	9.67	37,950	11.12	1,968	2,811	3,935	3.4	9.6	
	9	9	9	9	36	8,250	8,250	8,250	8,250	19,800	5.80	33,000	9.67	41,600	12.19	1,953	2,790	3,906	3.5	9.7	
9	9	9	12	39	7,615	7,615	7,615	10,154	19,800	5.80	33,000	9.67	41,600	12.19	1,953	2,790	3,906	3.5	9.7		
Mixed Indoor Units																					
Two Units	7	9	-	-	16	7,423	9,544	-	-	10,181	2.98	16,968	4.97	18,664	5.47	1,223	1,747	2,446	2.8	7.8	
	9	9	-	-	18	9,544	9,544	-	-	11,453	3.36	19,088	5.59	20,997	6.15	1,353	1,933	2,707	2.9	7.9	
	7	12	-	-	19	7,423	12,726	-	-	12,089	3.54	20,149	5.91	22,164	6.50	1,408	2,012	2,817	2.9	8.0	
	9	12	-	-	21	9,544	12,726	-	-	13,362	3.92	22,270	6.53	24,497	7.18	1,525	2,179	3,050	3.0	8.2	
	9	15	-	-	24	9,544	15,907	-	-	15,271	4.48	25,451	7.46	27,996	8.21	1,669	2,385	3,339	3.1	8.6	
	12	12	-	-	24	12,726	12,726	-	-	15,271	4.48	25,451	7.46	27,996	8.21	1,669	2,385	3,339	3.1	8.6	
	7	18	-	-	25	7,423	19,088	-	-	15,907	4.66	26,512	7.77	29,163	8.55	1,724	2,463	3,449	3.2	8.6	
	9	18	-	-	27	9,544	19,088	-	-	17,180	5.04	28,633	8.39	31,496	9.23	1,834	2,620	3,669	3.2	8.8	
	12	15	-	-	27	12,726	15,907	-	-	17,180	5.04	28,633	8.39	31,496	9.23	1,834	2,620	3,669	3.2	8.8	
	12	18	-	-	30	12,340	18,510	-	-	18,510	5.42	30,850	9.04	33,935	9.95	1,979	2,826	3,957	3.2	8.7	
	7	24	-	-	31	7,097	24,331	-	-	18,857	5.53	31,428	9.21	34,570	10.13	1,979	2,826	3,957	3.3	8.9	
	9	24*	-	-	33	8,864	23,636	-	-	19,500	5.72	32,500	9.53	35,750	10.48	1,979	2,826	3,957	3.4	9.2	
	15	18	-	-	33	14,773	17,727	-	-	19,500	5.72	32,500	9.53	35,750	10.48	1,979	2,826	3,957	3.4	9.2	
	18	18	-	-	36	16,250	16,250	-	-	19,500	5.72	32,500	9.53	35,750	10.48	1,979	2,826	3,957	3.4	9.2	
	12	24*	-	-	36	10,833	21,667	-	-	19,500	5.72	32,500	9.53	35,750	10.48	1,979	2,826	3,957	3.4	9.2	
	15	24*	-	-	39	12,500	20,000	-	-	19,500	5.72	32,500	9.53	35,750	10.48	1,979	2,826	3,957	3.4	9.2	

Note:

- Capacity as rated. 0 ft. above sea level with 25 ft. of refrigerant piping. 0 ft. level difference between outdoor and indoor units.
- Heating capacity rating obtained with air entering the indoor unit at 70°F dry bulb (DB) and 60°F wet bulb (WB), and outdoor ambient conditions of 47°F dry bulb (DB) and 43°F wet bulb (WB).
- Wiring cable size must comply with the applicable local and national codes.
- The specification may be subject to change without prior notice for purpose of improvement.
- At least two indoor units must be connected.
- Combination tables with calculated SEER and HSPF are outside the scope of AHRI 1230 test standard.
- \*The indoor unit must be a non-ducted type.

**FOR PROPER SYSTEM OPERATION:**

1. At least two operable indoor units must be connected to the outdoor unit.
2. Total connected indoor unit nominal capacity must be a minimum 40% and a maximum of 133% of outdoor unit nominal capacity.
3. To calculate the connected total indoor unit nominal capacity, simply sum up the nominal capacities of all indoor units.
  - For high static duct and vertical-horizontal air handling indoor units, a 1.3 multiplier must first be applied before adding to the sum of other smaller indoor unit types.
  - When high static duct and/or vertical-horizontal air handling indoor units are the **only** connected indoor units, the multiplier is 1.2.

# COMBINATION TABLES

## LMU30CHV

Table 12: LMU30CHV with Mixed Indoor Units – Rated Heating Combination Table.

No. of Indoor Units	Indoor Unit Combination (kBtu/h)					Room Capacity (Btu/h)				Heating Capacity						Input (W)			COP	HSPF
										Total Capacity		Minimum		Rated						
	IDU 1	IDU 2	IDU 3	IDU 4	Total	Unit 1	Unit 2	Unit 3	Unit 4	Btu/h	kW	Btu/h	kW	Btu/h	kW	Min.	Rated	Max.		
<b>Mixed Indoor Units</b>																				
Three Units	7	7	9	-	23	7,423	7,423	9,544	-	14,634	4.29	24,391	7.15	28,049	8.22	1,587	2,267	3,174	3.2	8.6
	7	9	9	-	25	7,423	9,544	9,544	-	15,907	4.66	26,512	7.77	30,488	8.94	1,697	2,424	3,394	3.2	8.8
	7	7	12	-	26	7,423	7,423	12,726	-	16,543	4.85	27,572	8.08	31,708	9.29	1,724	2,463	3,449	3.3	9.0
	9	9	9	-	27	9,544	9,544	9,544	-	17,180	5.04	28,633	8.39	32,928	9.65	1,752	2,503	3,504	3.4	9.2
	7	9	12	-	28	7,423	9,544	12,726	-	17,816	5.22	29,693	8.70	34,147	10.01	1,786	2,552	3,572	3.4	9.3
	9	9	12	-	30	9,255	9,255	12,340	-	18,510	5.42	30,850	9.04	35,478	10.40	1,862	2,660	3,723	3.4	9.3
	7	9	15	-	31	7,097	9,124	15,207	-	18,857	5.53	31,428	9.21	36,142	10.59	1,862	2,660	3,723	3.5	9.5
	7	12	12	-	31	7,097	12,165	12,165	-	18,857	5.53	31,428	9.21	36,142	10.59	1,862	2,660	3,723	3.5	9.5
	7	7	18	-	32	7,109	7,109	18,281	-	19,500	5.72	32,500	9.53	37,375	10.95	1,862	2,660	3,723	3.6	9.8
	9	9	15	-	33	8,864	8,864	14,773	-	19,500	5.72	32,500	9.53	37,375	10.95	1,862	2,660	3,723	3.6	9.8
	9	12	12	-	33	8,864	11,818	11,818	-	19,500	5.72	32,500	9.53	37,375	10.95	1,862	2,660	3,723	3.6	9.8
	7	9	18	-	34	6,691	8,603	17,206	-	19,500	5.72	32,500	9.53	37,375	10.95	1,862	2,660	3,723	3.6	9.8
	7	12	15	-	34	6,691	11,471	14,338	-	19,500	5.72	32,500	9.53	37,375	10.95	1,862	2,660	3,723	3.6	9.8
	9	9	18	-	36	8,125	8,125	16,250	-	19,500	5.72	32,500	9.53	37,375	10.95	1,862	2,660	3,723	3.6	9.8
	9	12	15	-	36	8,125	10,833	13,542	-	19,500	5.72	32,500	9.53	37,375	10.95	1,862	2,660	3,723	3.6	9.8
	12	12	12	-	36	10,833	10,833	10,833	-	19,500	5.72	32,500	9.53	37,375	10.95	1,862	2,660	3,723	3.6	9.8
	7	12	18	-	37	6,149	10,541	15,811	-	19,500	5.72	32,500	9.53	37,375	10.95	1,862	2,660	3,723	3.6	9.8
	7	7	24*	-	38	5,987	5,987	20,526	-	19,500	5.72	32,500	9.53	37,375	10.95	1,862	2,660	3,723	3.6	9.8
	9	12	18	-	39	7,500	10,000	15,000	-	19,500	5.72	32,500	9.53	37,375	10.95	1,862	2,660	3,723	3.6	9.8
	9	15	15	-	39	7,500	12,500	12,500	-	19,500	5.72	32,500	9.53	37,375	10.95	1,862	2,660	3,723	3.6	9.8
12	12	15	-	39	10,000	10,000	12,500	-	19,500	5.72	32,500	9.53	37,375	10.95	1,862	2,660	3,723	3.6	9.8	
7	9	24*	-	40	5,688	7,313	19,500	-	19,500	5.72	32,500	9.53	37,375	10.95	1,862	2,660	3,723	3.6	9.8	
7	15	18	-	40	5,688	12,188	14,625	-	19,500	5.72	32,500	9.53	37,375	10.95	1,848	2,640	3,696	3.6	9.8	
Four Units	7	7	7	9	30	7,198	7,198	7,198	9,255	18,510	5.42	30,850	9.04	37,020	10.85	1,848	2,640	3,696	3.4	9.4
	7	7	9	9	32	7,109	7,109	9,141	9,141	19,500	5.72	32,500	9.53	41,600	12.19	1,848	2,640	3,696	3.6	9.9
	7	7	7	12	33	6,894	6,894	6,894	11,818	19,500	5.72	32,500	9.53	41,600	12.19	1,848	2,640	3,696	3.6	9.9
	7	9	9	9	34	6,691	8,603	8,603	8,603	19,500	5.72	32,500	9.53	41,600	12.19	1,848	2,640	3,696	3.6	9.9
	7	7	9	12	35	6,500	6,500	8,357	11,143	19,500	5.72	32,500	9.53	41,600	12.19	1,848	2,640	3,696	3.6	9.9
	9	9	9	9	36	8,125	8,125	8,125	8,125	19,500	5.72	32,500	9.53	41,600	12.19	1,848	2,640	3,696	3.6	9.9
	7	9	9	12	37	6,149	7,905	7,905	10,541	19,500	5.72	32,500	9.53	41,600	12.19	1,848	2,640	3,696	3.6	9.9
	7	7	9	15	38	5,987	5,987	7,697	12,829	19,500	5.72	32,500	9.53	41,600	12.19	1,848	2,640	3,696	3.6	9.9
	7	7	12	12	38	5,987	5,987	10,263	10,263	19,500	5.72	32,500	9.53	41,600	12.19	1,848	2,640	3,696	3.6	9.9
	7	7	7	18	39	5,833	5,833	5,833	15,000	19,500	5.72	32,500	9.53	41,600	12.19	1,848	2,640	3,696	3.6	9.9
	9	9	9	12	39	7,500	7,500	7,500	10,000	19,500	5.72	32,500	9.53	41,600	12.19	1,848	2,640	3,696	3.6	9.9
	7	9	9	15	40	5,688	7,313	7,313	12,188	19,500	5.72	32,500	9.53	41,600	12.19	1,848	2,640	3,696	3.6	9.9
	7	9	12	12	40	5,688	7,313	9,750	9,750	19,500	5.72	32,500	9.53	41,600	12.19	1,848	2,640	3,696	3.6	9.9

Note:

1. Capacity as rated: 0 ft. above sea level with 25 ft. of refrigerant piping. 0 ft. level difference between outdoor and indoor units.
2. Heating capacity rating obtained with air entering the indoor unit at 70°F dry bulb (DB) and 60°F wet bulb (WB), and outdoor ambient conditions of 47°F dry bulb (DB) and 43°F wet bulb (WB).
3. Wiring cable size must comply with the applicable local and national codes.
4. The specification may be subject to change without prior notice for purpose of improvement.
5. At least two indoor units must be connected.
6. Combination tables with calculated SEER and HSPF are outside the scope of AHRI 1230 test standard.
- \*The indoor unit must be a non-ducted type.

**FOR PROPER SYSTEM OPERATION:**

- At least two operable indoor units must be connected to the outdoor unit.
- Total connected indoor unit nominal capacity must be a minimum 40% and a maximum of 133% of outdoor unit nominal capacity.
- To calculate the connected total indoor unit nominal capacity, simply sum up the nominal capacities of all indoor units.
  - For high static duct and vertical-horizontal air handling indoor units, a 1.3 multiplier must first be applied before adding to the sum of other smaller indoor unit types.
  - When high static duct and/or vertical-horizontal air handling indoor units are the **only** connected indoor units, the multiplier is 1.2.

# COMBINATION TABLES

## LMU36CHV

Table 13: LMU36CHV with Non-Ducted Indoor Units – Rated Cooling Combination Table.

No. of Indoor Units		Cooling Capacity																		EER	SEER
		Indoor Unit Combination (kBtu/h)					Room Capacity (Btu/h)				Total Capacity						Input (W)				
		IDU 1	IDU 2	IDU 3	IDU 4	Total	Unit 1	Unit 2	Unit 3	Unit 4	Minimum		Rated		Maximum		Min.	Rated	Max.		
										Btu/h	kW	Btu/h	kW	Btu/h	kW						
<b>Non-Ducted Indoor Units</b>																					
Two Units	7	7	-	-	14	7,000	7,000	-	-	8,400	2.46	14,000	4.10	15,540	4.55	952	1,360	1,904	10.3	17.4	
	7	9	-	-	16	7,000	9,000	-	-	9,600	2.81	16,000	4.69	17,760	5.21	1,071	1,530	2,142	10.5	17.7	
	9	9	-	-	18	9,000	9,000	-	-	10,800	3.17	18,000	5.28	19,980	5.86	1,204	1,720	2,408	10.5	17.7	
	7	12	-	-	19	7,000	12,000	-	-	11,400	3.34	19,000	5.57	21,090	6.18	1,260	1,800	2,520	10.6	17.9	
	9	12	-	-	21	9,000	12,000	-	-	12,600	3.69	21,000	6.15	23,310	6.83	1,379	1,970	2,758	10.7	18.0	
	7	15	-	-	22	7,000	15,000	-	-	13,200	3.87	22,000	6.45	24,420	7.16	1,428	2,040	2,856	10.8	18.2	
	9	15	-	-	24	9,000	15,000	-	-	14,400	4.22	24,000	7.03	26,640	7.81	1,526	2,180	3,052	11.0	18.6	
	12	12	-	-	24	12,000	12,000	-	-	14,400	4.22	24,000	7.03	26,640	7.81	1,526	2,180	3,052	11.0	18.6	
	7	18	-	-	25	7,000	18,000	-	-	15,000	4.40	25,000	7.33	27,750	8.13	1,582	2,260	3,164	11.1	18.7	
	9	18	-	-	27	9,000	18,000	-	-	16,200	4.75	27,000	7.91	29,970	8.78	1,694	2,420	3,388	11.2	18.9	
	12	15	-	-	27	12,000	15,000	-	-	16,200	4.75	27,000	7.91	29,970	8.78	1,694	2,420	3,388	11.2	18.9	
	12	18	-	-	30	12,000	18,000	-	-	18,000	5.28	30,000	8.79	33,300	9.76	1,841	2,630	3,682	11.4	19.3	
	15	15	-	-	30	15,000	15,000	-	-	18,000	5.28	30,000	8.79	33,300	9.76	1,841	2,630	3,682	11.4	19.3	
	7	24	-	-	31	7,000	24,000	-	-	18,600	5.45	31,000	9.09	34,410	10.08	1,883	2,690	3,766	11.5	19.5	
	9	24	-	-	33	8,727	23,273	-	-	19,200	5.63	32,000	9.38	35,520	10.41	1,932	2,760	3,864	11.6	19.6	
	15	18	-	-	33	14,545	17,455	-	-	19,200	5.63	32,000	9.38	35,520	10.41	1,932	2,760	3,864	11.6	19.6	
	18	18	-	-	36	16,000	16,000	-	-	19,200	5.63	32,000	9.38	35,520	10.41	1,932	2,760	3,864	11.6	19.6	
	12	24	-	-	36	10,667	21,333	-	-	19,200	5.63	32,000	9.38	35,520	10.41	1,932	2,760	3,864	11.6	19.6	
	15	24	-	-	39	12,308	19,692	-	-	19,200	5.63	32,000	9.38	35,520	10.41	1,932	2,760	3,864	11.6	19.6	
	18	24	-	-	42	13,714	18,286	-	-	19,200	5.63	32,000	9.38	35,520	10.41	1,932	2,760	3,864	11.6	19.6	
24	24	-	-	48	16,000	16,000	-	-	19,200	5.63	32,000	9.38	35,520	10.41	1,932	2,760	3,864	11.6	19.6		
Three Units	7	7	7	-	21	7,000	7,000	7,000	-	12,600	3.69	21,000	6.15	24,150	7.08	1,337	1,910	2,674	11.0	18.6	
	7	7	9	-	23	7,000	7,000	9,000	-	13,800	4.04	23,000	6.74	26,450	7.75	1,442	2,060	2,884	11.2	18.9	
	7	9	9	-	25	7,000	9,000	9,000	-	15,000	4.40	25,000	7.33	28,750	8.43	1,554	2,220	3,108	11.3	19.1	
	7	7	12	-	26	7,000	7,000	12,000	-	15,600	4.57	26,000	7.62	29,900	8.76	1,582	2,260	3,164	11.5	19.5	
	9	9	9	-	27	9,000	9,000	9,000	-	16,200	4.75	27,000	7.91	31,050	9.10	1,610	2,300	3,220	11.7	19.9	
	7	9	12	-	28	7,000	9,000	12,000	-	16,800	4.92	28,000	8.21	32,200	9.44	1,645	2,350	3,290	11.9	20.2	
	7	7	15	-	29	7,000	7,000	15,000	-	17,400	5.10	29,000	8.50	33,350	9.77	1,680	2,400	3,360	12.1	20.4	
	9	9	12	-	30	9,000	9,000	12,000	-	18,000	5.28	30,000	8.79	34,500	10.11	1,722	2,460	3,444	12.2	20.6	
	7	9	15	-	31	7,000	9,000	15,000	-	18,600	5.45	31,000	9.09	35,650	10.45	1,764	2,520	3,528	12.3	20.8	
	7	12	12	-	31	7,000	12,000	12,000	-	18,600	5.45	31,000	9.09	35,650	10.45	1,764	2,520	3,528	12.3	20.8	
	7	7	18	-	32	7,000	7,000	18,000	-	19,200	5.63	32,000	9.38	36,800	10.79	1,806	2,580	3,612	12.4	21.0	
	9	9	15	-	33	8,727	8,727	14,545	-	19,200	5.63	32,000	9.38	36,800	10.79	1,806	2,580	3,612	12.4	21.0	
	9	12	12	-	33	8,727	11,636	11,636	-	19,200	5.63	32,000	9.38	36,800	10.79	1,806	2,580	3,612	12.4	21.0	
	7	9	18	-	34	6,588	8,471	16,941	-	19,200	5.63	32,000	9.38	36,800	10.79	1,806	2,580	3,612	12.4	21.0	
	7	12	15	-	34	6,588	11,294	14,118	-	19,200	5.63	32,000	9.38	36,800	10.79	1,806	2,580	3,612	12.4	21.0	
	9	9	18	-	36	8,000	8,000	16,000	-	19,200	5.63	32,000	9.38	36,800	10.79	1,806	2,580	3,612	12.4	21.0	
	9	12	15	-	36	8,000	10,667	13,333	-	19,200	5.63	32,000	9.38	36,800	10.79	1,806	2,580	3,612	12.4	21.0	
	12	12	12	-	36	10,667	10,667	10,667	-	19,200	5.63	32,000	9.38	36,800	10.79	1,806	2,580	3,612	12.4	21.0	
	7	12	18	-	37	6,054	10,378	15,568	-	19,200	5.63	32,000	9.38	36,800	10.79	1,806	2,580	3,612	12.4	21.0	
	7	15	15	-	37	6,054	12,973	12,973	-	19,200	5.63	32,000	9.38	36,800	10.79	1,806	2,580	3,612	12.4	21.0	
	7	7	24	-	38	5,895	5,895	20,211	-	19,200	5.63	32,000	9.38	36,800	10.79	1,806	2,580	3,612	12.4	21.0	
	9	12	18	-	39	7,385	9,846	14,769	-	19,200	5.63	32,000	9.38	36,800	10.79	1,806	2,580	3,612	12.4	21.0	
	9	15	15	-	39	7,385	12,308	12,308	-	19,200	5.63	32,000	9.38	36,800	10.79	1,806	2,580	3,612	12.4	21.0	
	12	12	15	-	39	9,846	9,846	12,308	-	19,200	5.63	32,000	9.38	36,800	10.79	1,806	2,580	3,612	12.4	21.0	
	7	9	24	-	40	5,600	7,200	19,200	-	19,200	5.63	32,000	9.38	36,800	10.79	1,806	2,580	3,612	12.4	21.0	
	7	15	18	-	40	5,600	12,000	14,400	-	19,200	5.63	32,000	9.38	36,800	10.79	1,806	2,580	3,612	12.4	21.0	
9	9	24	-	42	6,857	6,857	18,286	-	19,200	5.63	32,000	9.38	36,800	10.79	1,806	2,580	3,612	12.4	21.0		
9	15	18	-	42	6,857	11,429	13,714	-	19,200	5.63	32,000	9.38	36,800	10.79	1,806	2,580	3,612	12.4	21.0		

Note:

- Capacity as rated:
  - 0 ft. above sea level with 25 ft. of refrigerant piping.
  - 0 ft. level difference between outdoor and indoor units.
- Cooling capacity rating obtained with air entering the indoor unit at 80°F dry bulb (DB) and 67°F wet bulb (WB), and outdoor ambient conditions of 95°F dry bulb (DB) and 75°F wet bulb (WB).
- Wiring cable size must comply with the applicable local and national codes.
- The specification may be subject to change without prior notice for purpose of improvement.
- At least two indoor units must be connected.
- Combination tables with calculated SEER and HSPF are outside the scope of AHRI 1230 test standard.

**FOR PROPER SYSTEM OPERATION:**

1. At least two operable indoor units must be connected to the outdoor unit.
2. Total connected indoor unit nominal capacity must be a minimum 40% and a maximum of 133% of outdoor unit nominal capacity.
3. To calculate the connected total indoor unit nominal capacity, simply sum up the nominal capacities of all indoor units.
  - For high static duct and vertical-horizontal air handling indoor units, a 1.3 multiplier must first be applied before adding to the sum of other smaller indoor unit types.
  - When high static duct and/or vertical-horizontal air handling indoor units are the **only** connected indoor units, the multiplier is 1.2.

# COMBINATION TABLES

## LMU36CHV

Table 14: LMU36CHV with Non-Ducted Indoor Units — Rated Cooling Combination Table.

No. of Indoor Units		Cooling Capacity																			EER	SEER
		Indoor Unit Combination (kBtu/h)					Room Capacity (Btu/h)				Total Capacity						Input (W)					
		IDU 1	IDU 2	IDU 3	IDU 4	To-tal	Unit 1	Unit 2	Unit 3	Unit 4	Minimum		Rated		Maximum		Min.	Rat-ed	Max.			
<b>Non-Ducted Indoor Units</b>																						
Three Units	12	12	18	-	42	9,143	9,143	13,714	-	19,200	5.63	32,000	9.38	36,800	10.79	1,806	2,580	3,612	12.4	21.0		
	12	15	15	-	42	9,143	11,429	11,429	-	19,200	5.63	32,000	9.38	36,800	10.79	1,806	2,580	3,612	12.4	21.0		
	7	12	24	-	43	5,209	8,930	17,860	-	19,200	5.63	32,000	9.38	36,800	10.79	1,806	2,580	3,612	12.4	21.0		
	7	18	18	-	43	5,209	13,395	13,395	-	19,200	5.63	32,000	9.38	36,800	10.79	1,806	2,580	3,612	12.4	21.0		
	9	12	24	-	45	6,400	8,533	17,067	-	19,200	5.63	32,000	9.38	36,800	10.79	1,806	2,580	3,612	12.4	21.0		
	9	18	18	-	45	6,400	12,800	12,800	-	19,200	5.63	32,000	9.38	36,800	10.79	1,806	2,580	3,612	12.4	21.0		
	12	15	18	-	45	8,533	10,667	12,800	-	19,200	5.63	32,000	9.38	36,800	10.79	1,806	2,580	3,612	12.4	21.0		
	15	15	15	-	45	10,667	10,667	10,667	-	19,200	5.63	32,000	9.38	36,800	10.79	1,806	2,580	3,612	12.4	21.0		
	7	15	24	-	46	4,870	10,435	16,696	-	19,200	5.63	32,000	9.38	36,800	10.79	1,806	2,580	3,612	12.4	21.0		
	9	15	24	-	48	6,000	10,000	16,000	-	19,200	5.63	32,000	9.38	36,800	10.79	1,806	2,580	3,612	12.4	21.0		
	12	12	24	-	48	8,000	8,000	16,000	-	19,200	5.63	32,000	9.38	36,800	10.79	1,806	2,580	3,612	12.4	21.0		
	12	18	18	-	48	8,000	12,000	12,000	-	19,200	5.63	32,000	9.38	36,800	10.79	1,806	2,580	3,612	12.4	21.0		
	15	15	18	-	48	10,000	10,000	12,000	-	19,200	5.63	32,000	9.38	36,800	10.79	1,806	2,580	3,612	12.4	21.0		
	Four Units	7	7	7	7	28	7,000	7,000	7,000	7,000	16,800	4.92	28,000	8.21	33,600	9.85	1,540	2,200	3,080	12.7	21.5	
		7	7	7	9	30	7,000	7,000	7,000	9,000	18,000	5.28	30,000	8.79	36,000	10.55	1,645	2,350	3,290	12.8	21.6	
7		7	9	9	32	7,000	7,000	7,000	9,000	19,200	5.63	32,000	9.38	38,400	11.25	1,723	2,461	3,445	13.0	22.0		
7		7	7	12	33	6,788	6,788	6,788	11,636	19,200	5.63	32,000	9.38	38,400	11.25	1,723	2,461	3,445	13.0	22.0		
7		9	9	9	34	6,588	8,471	8,471	8,471	19,200	5.63	32,000	9.38	38,400	11.25	1,723	2,461	3,445	13.0	22.0		
7		7	9	12	35	6,400	6,400	8,229	10,971	19,200	5.63	32,000	9.38	38,400	11.25	1,723	2,461	3,445	13.0	22.0		
7		7	7	15	36	6,222	6,222	6,222	13,333	19,200	5.63	32,000	9.38	38,400	11.25	1,723	2,461	3,445	13.0	22.0		
9		9	9	9	36	8,000	8,000	8,000	8,000	19,200	5.63	32,000	9.38	38,400	11.25	1,723	2,461	3,445	13.0	22.0		
7		9	9	12	37	6,054	7,784	7,784	10,378	19,200	5.63	32,000	9.38	38,400	11.25	1,723	2,461	3,445	13.0	22.0		
7		7	9	15	38	5,895	5,895	7,579	12,632	19,200	5.63	32,000	9.38	38,400	11.25	1,723	2,461	3,445	13.0	22.0		
7		7	12	12	38	5,895	5,895	10,105	10,105	19,200	5.63	32,000	9.38	38,400	11.25	1,723	2,461	3,445	13.0	22.0		
7		7	7	18	39	5,744	5,744	5,744	14,769	19,200	5.63	32,000	9.38	38,400	11.25	1,723	2,461	3,445	13.0	22.0		
9		9	9	12	39	7,385	7,385	7,385	9,846	19,200	5.63	32,000	9.38	38,400	11.25	1,723	2,461	3,445	13.0	22.0		
7		9	9	15	40	5,600	7,200	7,200	12,000	19,200	5.63	32,000	9.38	38,400	11.25	1,723	2,461	3,445	13.0	22.0		
7		9	12	12	40	5,600	7,200	9,600	9,600	19,200	5.63	32,000	9.38	38,400	11.25	1,723	2,461	3,445	13.0	22.0		
7		7	9	18	41	5,463	5,463	7,024	14,049	19,200	5.63	32,000	9.38	38,400	11.25	1,723	2,461	3,445	13.0	22.0		
7		7	12	15	41	5,463	5,463	9,366	11,707	19,200	5.63	32,000	9.38	38,400	11.25	1,723	2,461	3,445	13.0	22.0		
9		9	9	15	42	6,857	6,857	6,857	11,429	19,200	5.63	32,000	9.38	38,400	11.25	1,723	2,461	3,445	13.0	22.0		
9		9	12	12	42	6,857	6,857	9,143	9,143	19,200	5.63	32,000	9.38	38,400	11.25	1,723	2,461	3,445	13.0	22.0		
7		9	9	18	43	5,209	6,698	6,698	13,395	19,200	5.63	32,000	9.38	38,400	11.25	1,723	2,461	3,445	13.0	22.0		
7		9	12	15	43	5,209	6,698	8,930	11,163	19,200	5.63	32,000	9.38	38,400	11.25	1,723	2,461	3,445	13.0	22.0		
7		12	12	12	43	5,209	8,930	8,930	8,930	19,200	5.63	32,000	9.38	38,400	11.25	1,723	2,461	3,445	13.0	22.0		
7		7	12	18	44	5,091	5,091	8,727	13,091	19,200	5.63	32,000	9.38	38,400	11.25	1,723	2,461	3,445	13.0	22.0		
7		7	15	15	44	5,091	5,091	10,909	10,909	19,200	5.63	32,000	9.38	38,400	11.25	1,723	2,461	3,445	13.0	22.0		
7		7	7	24	45	4,978	4,978	4,978	17,067	19,200	5.63	32,000	9.38	38,400	11.25	1,723	2,461	3,445	13.0	22.0		
9		9	9	18	45	6,400	6,400	6,400	12,800	19,200	5.63	32,000	9.38	38,400	11.25	1,723	2,461	3,445	13.0	22.0		
9		9	12	15	45	6,400	6,400	8,533	10,667	19,200	5.63	32,000	9.38	38,400	11.25	1,723	2,461	3,445	13.0	22.0		
9		12	12	12	45	6,400	8,533	8,533	8,533	19,200	5.63	32,000	9.38	38,400	11.25	1,723	2,461	3,445	13.0	22.0		
7		9	12	18	46	4,870	6,261	8,348	12,522	19,200	5.63	32,000	9.38	38,400	11.25	1,723	2,461	3,445	13.0	22.0		
7		9	15	15	46	4,870	6,261	10,435	10,435	19,200	5.63	32,000	9.38	38,400	11.25	1,723	2,461	3,445	13.0	22.0		
7	12	12	15	46	4,870	8,348	8,348	10,435	19,200	5.63	32,000	9.38	38,400	11.25	1,723	2,461	3,445	13.0	22.0			
7	7	9	24	47	4,766	4,766	6,128	16,340	19,200	5.63	32,000	9.38	38,400	11.25	1,723	2,461	3,445	13.0	22.0			
7	7	15	18	47	4,766	4,766	10,213	12,255	19,200	5.63	32,000	9.38	38,400	11.25	1,723	2,461	3,445	13.0	22.0			
9	9	12	18	48	6,000	6,000	8,000	12,000	19,200	5.63	32,000	9.38	38,400	11.25	1,723	2,461	3,445	13.0	22.0			
9	9	15	15	48	6,000	6,000	10,000	10,000	19,200	5.63	32,000	9.38	38,400	11.25	1,723	2,461	3,445	13.0	22.0			
12	12	12	12	48	8,000	8,000	8,000	8,000	19,200	5.63	32,000	9.38	38,400	11.25	1,723	2,461	3,445	13.0	22.0			

Note:

1. Capacity as rated.
  - 0 ft. above sea level with 25 ft. of refrigerant piping.
  - 0 ft. level difference between outdoor and indoor units.
2. Cooling capacity rating obtained with air entering the indoor unit at 80°F dry bulb (DB) and 67°F wet bulb (WB), and outdoor ambient conditions of 95°F dry bulb (DB) and 75°F wet bulb (WB).
3. Wiring cable size must comply with the applicable local and national codes.
4. The specification may be subject to change without prior notice for purpose of improvement.
5. At least two indoor units must be connected.
6. Combination tables with calculated SEER and HSPF are outside the scope of AHRI 1230 test standard.



**FOR PROPER SYSTEM OPERATION:**

1. At least two operable indoor units must be connected to the outdoor unit.
2. Total connected indoor unit nominal capacity must be a minimum 40% and a maximum of 133% of outdoor unit nominal capacity.
3. To calculate the connected total indoor unit nominal capacity, simply sum up the nominal capacities of all indoor units.
  - For high static duct and vertical-horizontal air handling indoor units, a 1.3 multiplier must first be applied before adding to the sum of other smaller indoor unit types.
  - When high static duct and/or vertical-horizontal air handling indoor units are the **only** connected indoor units, the multiplier is 1.2.

# COMBINATION TABLES

## LMU36CHV

Table 15: LMU36CHV with Ducted Indoor Units — Rated Cooling Combination Table.

Cooling Capacity																				
No. of Indoor Units	Indoor Unit Combination (kBtu/h)					Room Capacity (Btu/h)				Total Capacity						Input (W)			EER	SEER
	IDU 1	IDU 2	IDU 3	IDU 4	Total	Unit 1	Unit 2	Unit 3	Unit 4	Minimum		Rated		Maximum		Min.	Rated	Max.		
										Btu/h	kW	Btu/h	kW	Btu/h	kW					
<b>Ducted Indoor Units</b>																				
Two Units	9	9	-	-	18	7,875	7,875	-	-	9,450	2.8	15,750	4.6	17,483	5.1	1,245	1,779	2,491	8.9	14.6
	9	12	-	-	21	7,875	10,500	-	-	11,025	3.2	18,375	5.4	20,396	6.0	1,426	2,038	2,853	9.0	14.9
	12	12	-	-	24	10,500	10,500	-	-	12,600	3.7	21,000	6.2	23,310	6.8	1,578	2,255	3,157	9.3	15.4
	9	18	-	-	27	7,875	15,750	-	-	14,175	4.2	23,625	6.9	26,224	7.7	1,752	2,503	3,504	9.4	15.6
	12	18	-	-	30	10,500	15,750	-	-	15,750	4.6	26,250	7.7	29,138	8.5	1,904	2,720	3,808	9.6	16.0
	9	24*	-	-	33	7,636	20,364	-	-	16,800	4.9	28,000	8.2	31,080	9.1	1,998	2,855	3,997	9.8	16.2
	18	18	-	-	36	14,000	14,000	-	-	16,800	4.9	28,000	8.2	31,080	9.1	1,998	2,855	3,997	9.8	16.2
Three Units	12	24*	-	-	36	9,333	18,667	-	-	16,800	4.9	28,000	8.2	31,080	9.1	1,998	2,855	3,997	9.8	16.2
	9	9	9	-	27	7,875	7,875	7,875	-	14,175	4.2	23,625	6.9	27,169	8.0	1,665	2,379	3,331	9.9	16.4
	9	9	12	-	30	7,875	7,875	10,500	-	15,750	4.6	26,250	7.7	30,188	8.8	1,781	2,544	3,562	10.3	17.1
	9	12	12	-	33	7,636	10,182	10,182	-	16,800	4.9	28,000	8.2	32,200	9.4	1,868	2,669	3,736	10.5	17.4
	9	9	18	-	36	7,000	7,000	14,000	-	16,800	4.9	28,000	8.2	32,200	9.4	1,868	2,669	3,736	10.5	17.4
	12	12	12	-	36	9,333	9,333	9,333	-	16,800	4.9	28,000	8.2	32,200	9.4	1,868	2,669	3,736	10.5	17.4
	9	12	18	-	39	6,462	8,615	12,923	-	16,800	4.9	28,000	8.2	32,200	9.4	1,868	2,669	3,736	10.5	17.4
	12	12	18	-	42	8,000	8,000	12,000	-	16,800	4.9	28,000	8.2	32,200	9.4	1,868	2,669	3,736	10.5	17.4
	9	18	18	-	45	5,600	11,200	11,200	-	16,800	4.9	28,000	8.2	32,200	9.4	1,868	2,669	3,736	10.5	17.4
Four Units	12	18	18	-	48	7,000	10,500	10,500	-	16,800	4.9	28,000	8.2	32,200	9.4	1,868	2,669	3,736	10.5	17.4
	9	9	9	9	36	7,000	7,000	7,000	7,000	16,800	4.9	28,000	8.2	33,600	9.8	1,782	2,545	3,564	11.0	18.2
	9	9	9	12	39	6,462	6,462	6,462	8,615	16,800	4.9	28,000	8.2	33,600	9.8	1,782	2,545	3,564	11.0	18.2
	9	9	12	12	42	6,000	6,000	8,000	8,000	16,800	4.9	28,000	8.2	33,600	9.8	1,782	2,545	3,564	11.0	18.2
	9	9	9	18	45	5,600	5,600	5,600	11,200	16,800	4.9	28,000	8.2	33,600	9.8	1,782	2,545	3,564	11.0	18.2
	9	12	12	12	45	5,600	7,467	7,467	7,467	16,800	4.9	28,000	8.2	33,600	9.8	1,782	2,545	3,564	11.0	18.2
	9	9	12	18	48	5,250	5,250	7,000	10,500	16,800	4.9	28,000	8.2	33,600	9.8	1,782	2,545	3,564	11.0	18.2
	12	12	12	12	48	7,000	7,000	7,000	7,000	16,800	4.9	28,000	8.2	33,600	9.8	1,782	2,545	3,564	11.0	18.2

Note:

1. Capacity as rated:
    - 0 ft. above sea level with 25 ft. of refrigerant piping.
    - 0 ft. level difference between outdoor and indoor units.
  2. Cooling capacity rating obtained with air entering the indoor unit at 80°F dry bulb (DB) and 67°F wet bulb (WB), and outdoor ambient conditions of 95°F dry bulb (DB) and 75°F wet bulb (WB).
  3. Wiring cable size must comply with the applicable local and national codes.
  4. The specification may be subject to change without prior notice for purpose of improvement.
  5. At least two indoor units must be connected.
  6. Combination tables with calculated SEER and HSPF are outside the scope of AHRI 1230 test standard.
- \*A 1.3 multiplier is necessary for the calculation of total combination.

**FOR PROPER SYSTEM OPERATION:**

- At least two operable indoor units must be connected to the outdoor unit.
- Total connected indoor unit nominal capacity must be a minimum 40% and a maximum of 133% of outdoor unit nominal capacity.
- To calculate the connected total indoor unit nominal capacity, simply sum up the nominal capacities of all indoor units.
  - For high static duct and vertical-horizontal air handling indoor units, a 1.3 multiplier must first be applied before adding to the sum of other smaller indoor unit types.
  - When high static duct and/or vertical-horizontal air handling indoor units are the **only** connected indoor units, the multiplier is 1.2.

# COMBINATION TABLES

## LMU36CHV

Table 16: LMU36CHV with Mixed Indoor Units – Rated Cooling Combination Table.

No. of Indoor Units	Indoor Unit Combination (kBtu/h)					Cooling Capacity													EER	SEER																	
						Room Capacity (Btu/h)				Total Capacity						Input (W)																					
	IDU 1	IDU 2	IDU 3	IDU 4	Total	Unit 1	Unit 2	Unit 3	Unit 4	Minimum		Rated		Maximum		Min.	Rated	Max.																			
																				Btu/h	kW	Btu/h	kW	Btu/h	kW	Min.	Rated	Max.									
<b>Mixed Indoor Units</b>																																					
<b>Two Units</b>	7	9	-	-	16	6,563	8,438	-	-	9,000	2.6	15,000	4.4	16,650	4.9	1,089	1,556	2,179	9.6	16.2																	
	9	9	-	-	18	8,438	8,438	-	-	10,125	3.0	16,875	4.9	18,731	5.5	1,225	1,750	2,449	9.6	16.2																	
	7	12	-	-	19	6,563	11,250	-	-	10,688	3.1	17,813	5.2	19,772	5.8	1,282	1,831	2,563	9.7	16.3																	
	9	12	-	-	21	8,438	11,250	-	-	11,813	3.5	19,688	5.8	21,853	6.4	1,403	2,004	2,805	9.8	16.5																	
	9	15	-	-	24	8,438	14,063	-	-	13,500	4.0	22,500	6.6	24,975	7.3	1,552	2,217	3,104	10.1	17.0																	
	12	12	-	-	24	11,250	11,250	-	-	13,500	4.0	22,500	6.6	24,975	7.3	1,552	2,217	3,104	10.1	17.0																	
	7	18	-	-	25	6,563	16,875	-	-	14,063	4.1	23,438	6.9	26,016	7.6	1,609	2,299	3,218	10.2	17.1																	
	9	18	-	-	27	8,438	16,875	-	-	15,188	4.5	25,313	7.4	28,097	8.2	1,723	2,462	3,446	10.3	17.2																	
	12	15	-	-	27	11,250	14,063	-	-	15,188	4.5	25,313	7.4	28,097	8.2	1,723	2,462	3,446	10.3	17.2																	
	12	18	-	-	30	11,250	16,875	-	-	16,875	4.9	28,125	8.2	31,219	9.1	1,873	2,675	3,745	10.5	17.6																	
	7	24	-	-	31	6,563	22,500	-	-	17,438	5.1	29,063	8.5	32,259	9.5	1,915	2,736	3,831	10.6	17.8																	
	9	24	-	-	33	8,182	21,818	-	-	18,000	5.3	30,000	8.8	33,300	9.8	1,965	2,807	3,930	10.7	17.9																	
	15	18	-	-	33	13,636	16,364	-	-	18,000	5.3	30,000	8.8	33,300	9.8	1,965	2,807	3,930	10.7	17.9																	
	18	18	-	-	36	15,000	15,000	-	-	18,000	5.3	30,000	8.8	33,300	9.8	1,965	2,807	3,930	10.7	17.9																	
	12	24	-	-	36	10,000	20,000	-	-	18,000	5.3	30,000	8.8	33,300	9.8	1,965	2,807	3,930	10.7	17.9																	
	15	24	-	-	39	11,538	18,462	-	-	18,000	5.3	30,000	8.8	33,300	9.8	1,965	2,807	3,930	10.7	17.9																	
	18	24*	-	-	42	12,857	17,143	-	-	18,000	5.3	30,000	8.8	33,300	9.8	1,965	2,807	3,930	10.7	17.9																	
	24*	24*	-	-	48	15,000	15,000	-	-	18,000	5.3	30,000	8.8	33,300	9.8	1,965	2,807	3,930	10.7	17.9																	
<b>Three Units</b>	7	7	9	-	23	6,563	6,563	8,438	-	12,938	3.8	21,563	6.3	24,797	7.3	1,467	2,095	2,933	10.3	17.3																	
	7	9	9	-	25	6,563	8,438	8,438	-	14,063	4.1	23,438	6.9	26,953	7.9	1,581	2,258	3,161	10.4	17.4																	
	7	7	12	-	26	6,563	6,563	11,250	-	14,625	4.3	24,375	7.1	28,031	8.2	1,609	2,299	3,218	10.6	17.8																	
	9	9	9	-	27	8,438	8,438	8,438	-	15,188	4.5	25,313	7.4	29,109	8.5	1,638	2,339	3,275	10.8	18.1																	
	7	9	12	-	28	6,563	8,438	11,250	-	15,750	4.6	26,250	7.7	30,188	8.8	1,673	2,390	3,346	11.0	18.4																	
	9	9	12	-	30	8,438	8,438	11,250	-	16,875	4.9	28,125	8.2	32,344	9.5	1,752	2,502	3,503	11.2	18.9																	
	7	9	15	-	31	6,563	8,438	14,063	-	17,438	5.1	29,063	8.5	33,422	9.8	1,794	2,563	3,589	11.3	19.0																	
	7	12	12	-	31	6,563	11,250	11,250	-	17,438	5.1	29,063	8.5	33,422	9.8	1,794	2,563	3,589	11.3	19.0																	
	7	7	18	-	32	6,563	6,563	16,875	-	18,000	5.3	30,000	8.8	34,500	10.1	1,837	2,624	3,674	11.4	19.2																	
	9	9	15	-	33	8,182	8,182	13,636	-	18,000	5.3	30,000	8.8	34,500	10.1	1,837	2,624	3,674	11.4	19.2																	
	9	12	12	-	33	8,182	10,909	10,909	-	18,000	5.3	30,000	8.8	34,500	10.1	1,837	2,624	3,674	11.4	19.2																	
	7	9	18	-	34	6,176	7,941	15,882	-	18,000	5.3	30,000	8.8	34,500	10.1	1,837	2,624	3,674	11.4	19.2																	
	7	12	15	-	34	6,176	10,588	13,235	-	18,000	5.3	30,000	8.8	34,500	10.1	1,837	2,624	3,674	11.4	19.2																	
	9	9	18	-	36	7,500	7,500	15,000	-	18,000	5.3	30,000	8.8	34,500	10.1	1,837	2,624	3,674	11.4	19.2																	
	9	12	15	-	36	7,500	10,000	12,500	-	18,000	5.3	30,000	8.8	34,500	10.1	1,837	2,624	3,674	11.4	19.2																	
	12	12	12	-	36	10,000	10,000	10,000	-	18,000	5.3	30,000	8.8	34,500	10.1	1,837	2,624	3,674	11.4	19.2																	
	7	12	18	-	37	5,676	9,730	14,595	-	18,000	5.3	30,000	8.8	34,500	10.1	1,837	2,624	3,674	11.4	19.2																	
	7	7	24	-	38	5,526	5,526	18,947	-	18,000	5.3	30,000	8.8	34,500	10.1	1,837	2,624	3,674	11.4	19.2																	
	9	12	18	-	39	6,923	9,231	13,846	-	18,000	5.3	30,000	8.8	34,500	10.1	1,837	2,624	3,674	11.4	19.2																	
	9	15	15	-	39	6,923	11,538	11,538	-	18,000	5.3	30,000	8.8	34,500	10.1	1,837	2,624	3,674	11.4	19.2																	
	12	12	15	-	39	9,231	9,231	11,538	-	18,000	5.3	30,000	8.8	34,500	10.1	1,837	2,624	3,674	11.4	19.2																	
	7	9	24	-	40	5,250	6,750	18,000	-	18,000	5.3	30,000	8.8	34,500	10.1	1,837	2,624	3,674	11.4	19.2																	
	7	15	18	-	40	5,250	11,250	13,500	-	18,000	5.3	30,000	8.8	34,500	10.1	1,837	2,624	3,674	11.4	19.2																	
	9	9	24*	-	42	6,429	6,429	17,143	-	18,000	5.3	30,000	8.8	34,500	10.1	1,837	2,624	3,674	11.4	19.2																	
	9	15	18	-	42	6,429	10,714	12,857	-	18,000	5.3	30,000	8.8	34,500	10.1	1,837	2,624	3,674	11.4	19.2																	
	12	12	18	-	42	8,571	8,571	12,857	-	18,000	5.3	30,000	8.8	34,500	10.1	1,837	2,624	3,674	11.4	19.2																	
	12	15	15	-	42	8,571	10,714	10,714	-	18,000	5.3	30,000	8.8	34,500	10.1	1,837	2,624	3,674	11.4	19.2																	
7	12	24*	-	43	4,884	8,372	16,744	-	18,000	5.3	30,000	8.8	34,500	10.1	1,837	2,624	3,674	11.4	19.2																		
7	18	18	-	43	4,884	12,558	12,558	-	18,000	5.3	30,000	8.8	34,500	10.1	1,837	2,624	3,674	11.4	19.2																		
9	12	24*	-	45	6,000	8,000	16,000	-	18,000	5.3	30,000	8.8	34,500	10.1	1,837	2,624	3,674	11.4	19.2																		
9	18	18	-	45	6,000	12,000	12,000	-	18,000	5.3	30,000	8.8	34,500	10.1	1,837	2,624	3,674	11.4	19.2																		

Note:

- Capacity as rated:
  - 0 ft. above sea level with 25 ft. of refrigerant piping.
  - 0 ft. level difference between outdoor and indoor units.
- Cooling capacity rating obtained with air entering the indoor unit at 80°F dry bulb (DB) and 67°F wet bulb (WB), and outdoor ambient conditions of 95°F dry bulb (DB) and 75°F wet bulb (WB).
- Wiring cable size must comply with the applicable local and national codes.
- The specification may be subject to change without prior notice for purpose of improvement.
- At least two indoor units must be connected.
- Combination tables with calculated SEER and HSPF are outside the scope of AHRI 1230 test standard.
- \*The indoor unit must be a non-ducted type.

**FOR PROPER SYSTEM OPERATION:**

1. At least two operable indoor units must be connected to the outdoor unit.
2. Total connected indoor unit nominal capacity must be a minimum 40% and a maximum of 133% of outdoor unit nominal capacity.
3. To calculate the connected total indoor unit nominal capacity, simply sum up the nominal capacities of all indoor units.
  - For high static duct and vertical-horizontal air handling indoor units, a 1.3 multiplier must first be applied before adding to the sum of other smaller indoor unit types.
  - When high static duct and/or vertical-horizontal air handling indoor units are the **only** connected indoor units, the multiplier is 1.2.

# COMBINATION TABLES

## LMU36CHV

Table 17: LMU36CHV with Mixed Indoor Units — Rated Cooling Combination Table.

Cooling Capacity																					
No. of Indoor Units	Indoor Unit Combination (kBtu/h)					Room Capacity (Btu/h)				Total Capacity						Input (W)			EER	SEER	
										Minimum		Rated		Maximum		Min.	Rated	Max.			
	IDU 1	IDU 2	IDU 3	IDU 4	Total	Unit 1	Unit 2	Unit 3	Unit 4	Btu/h	kW	Btu/h	kW	Btu/h	kW						
<b>Mixed Indoor Units</b>																					
Three Units	12	15	18	-	45	8,000	10,000	12,000	-	18,000	5.3	30,000	8.8	34,500	10.1	1,837	2,624	3,674	11.4	19.2	
	7	15	24*	-	46	4,565	9,783	15,652	-	18,000	5.3	30,000	8.8	34,500	10.1	1,837	2,624	3,674	11.4	19.2	
	9	15	24*	-	48	5,625	9,375	15,000	-	18,000	5.3	30,000	8.8	34,500	10.1	1,837	2,624	3,674	11.4	19.2	
	12	12	24*	-	48	7,500	7,500	15,000	-	18,000	5.3	30,000	8.8	34,500	10.1	1,837	2,624	3,674	11.4	19.2	
	12	18	18	-	48	7,500	11,250	11,250	-	18,000	5.3	30,000	8.8	34,500	10.1	1,837	2,624	3,674	11.4	19.2	
	15	15	18	-	48	9,375	9,375	11,250	-	18,000	5.3	30,000	8.8	34,500	10.1	1,837	2,624	3,674	11.4	19.2	
Four Units	7	7	7	9	30	6,563	6,563	6,563	8,438	16,875	4.9	28,125	8.2	33,750	9.9	1,673	2,390	3,346	11.8	19.7	
	7	7	9	9	32	6,563	6,563	6,563	8,438	18,000	5.3	30,000	8.8	36,000	10.6	1,752	2,503	3,505	12.0	20.1	
	7	7	7	12	33	6,364	6,364	6,364	10,909	18,000	5.3	30,000	8.8	36,000	10.6	1,752	2,503	3,505	12.0	20.1	
	7	9	9	9	34	6,176	7,941	7,941	7,941	18,000	5.3	30,000	8.8	36,000	10.6	1,752	2,503	3,505	12.0	20.1	
	7	7	9	12	35	6,000	6,000	7,714	10,286	18,000	5.3	30,000	8.8	36,000	10.6	1,752	2,503	3,505	12.0	20.1	
	9	9	9	9	36	7,500	7,500	7,500	7,500	18,000	5.3	30,000	8.8	36,000	10.6	1,752	2,503	3,505	12.0	20.1	
	7	9	9	12	37	5,676	7,297	7,297	9,730	18,000	5.3	30,000	8.8	36,000	10.6	1,752	2,503	3,505	12.0	20.1	
	7	7	9	15	38	5,526	5,526	7,105	11,842	18,000	5.3	30,000	8.8	36,000	10.6	1,752	2,503	3,505	12.0	20.1	
	7	7	12	12	38	5,526	5,526	9,474	9,474	18,000	5.3	30,000	8.8	36,000	10.6	1,752	2,503	3,505	12.0	20.1	
	7	7	7	18	39	5,385	5,385	5,385	13,846	18,000	5.3	30,000	8.8	36,000	10.6	1,752	2,503	3,505	12.0	20.1	
	9	9	9	12	39	6,923	6,923	6,923	9,231	18,000	5.3	30,000	8.8	36,000	10.6	1,752	2,503	3,505	12.0	20.1	
	7	9	9	15	40	5,250	6,750	6,750	11,250	18,000	5.3	30,000	8.8	36,000	10.6	1,752	2,503	3,505	12.0	20.1	
	7	9	12	12	40	5,250	6,750	9,000	9,000	18,000	5.3	30,000	8.8	36,000	10.6	1,752	2,503	3,505	12.0	20.1	
	7	7	9	18	41	5,122	5,122	6,585	13,171	18,000	5.3	30,000	8.8	36,000	10.6	1,752	2,503	3,505	12.0	20.1	
	7	7	12	15	41	5,122	5,122	8,780	10,976	18,000	5.3	30,000	8.8	36,000	10.6	1,752	2,503	3,505	12.0	20.1	
	9	9	9	15	42	6,429	6,429	6,429	10,714	18,000	5.3	30,000	8.8	36,000	10.6	1,752	2,503	3,505	12.0	20.1	
	9	9	12	12	42	6,429	6,429	8,571	8,571	18,000	5.3	30,000	8.8	36,000	10.6	1,752	2,503	3,505	12.0	20.1	
	7	9	9	18	43	4,884	6,279	6,279	12,558	18,000	5.3	30,000	8.8	36,000	10.6	1,752	2,503	3,505	12.0	20.1	
	7	9	12	15	43	4,884	6,279	8,372	10,465	18,000	5.3	30,000	8.8	36,000	10.6	1,752	2,503	3,505	12.0	20.1	
	7	12	12	12	43	4,884	8,372	8,372	8,372	18,000	5.3	30,000	8.8	36,000	10.6	1,752	2,503	3,505	12.0	20.1	
	7	7	12	18	44	4,773	4,773	8,182	12,273	18,000	5.3	30,000	8.8	36,000	10.6	1,752	2,503	3,505	12.0	20.1	
	7	7	7	24*	45	4,667	4,667	4,667	16,000	18,000	5.3	30,000	8.8	36,000	10.6	1,752	2,503	3,505	12.0	20.1	
	9	9	9	18	45	6,000	6,000	6,000	12,000	18,000	5.3	30,000	8.8	36,000	10.6	1,752	2,503	3,505	12.0	20.1	
	9	9	12	15	45	6,000	6,000	8,000	10,000	18,000	5.3	30,000	8.8	36,000	10.6	1,752	2,503	3,505	12.0	20.1	
	9	12	12	12	45	6,000	8,000	8,000	8,000	18,000	5.3	30,000	8.8	36,000	10.6	1,752	2,503	3,505	12.0	20.1	
	7	9	12	18	46	4,565	5,870	7,826	11,739	18,000	5.3	30,000	8.8	36,000	10.6	1,752	2,503	3,505	12.0	20.1	
	7	9	15	15	46	4,565	5,870	9,783	9,783	18,000	5.3	30,000	8.8	36,000	10.6	1,752	2,503	3,505	12.0	20.1	
	7	12	12	15	46	4,565	7,826	7,826	9,783	18,000	5.3	30,000	8.8	36,000	10.6	1,752	2,503	3,505	12.0	20.1	
	7	7	9	24*	47	4,468	4,468	5,745	15,319	18,000	5.3	30,000	8.8	36,000	10.6	1,752	2,503	3,505	12.0	20.1	
	7	7	15	18	47	4,468	4,468	9,574	11,489	18,000	5.3	30,000	8.8	36,000	10.6	1,752	2,503	3,505	12.0	20.1	
9	9	12	18	48	5,625	5,625	7,500	11,250	18,000	5.3	30,000	8.8	36,000	10.6	1,752	2,503	3,505	12.0	20.1		
9	9	15	15	48	5,625	5,625	9,375	9,375	18,000	5.3	30,000	8.8	36,000	10.6	1,752	2,503	3,505	12.0	20.1		
12	12	12	12	48	7,500	7,500	7,500	7,500	18,000	5.3	30,000	8.8	36,000	10.6	1,752	2,503	3,505	12.0	20.1		

**Note:**

1. Capacity as rated:
    - 0 ft. above sea level with 25 ft. of refrigerant piping.
    - 0 ft. level difference between outdoor and indoor units.
  2. Cooling capacity rating obtained with air entering the indoor unit at 80°F dry bulb (DB) and 67°F wet bulb (WB), and outdoor ambient conditions of 95°F dry bulb (DB) and 75°F wet bulb (WB).
  3. Wiring cable size must comply with the applicable local and national codes.
  4. The specification may be subject to change without prior notice for purpose of improvement.
  5. At least two indoor units must be connected.
  6. Combination tables with calculated SEER and HSPF are outside the scope of AHRI 1230 test standard.
- \*The indoor unit must be a non-ducted type.

# COMBINATION TABLES

## LMU36CHV

Table 18: LMU36CHV with Non-Ducted Indoor Units — Rated Heating Combination Table.

No. of Indoor Units		Indoor Unit Combination (kBtu/h)					Room Capacity (Btu/h)				Heating Capacity						Input (W)			COP	HSPF
											Total Capacity		Minimum		Rated						
		IDU 1	IDU 2	IDU 3	IDU 4	To-tal	Unit 1	Unit 2	Unit 3	Unit 4	Btu/h	kW	Btu/h	kW	Btu/h	kW	Min.	Rated	Max.		
<b>Non-Ducted Indoor Units</b>																					
Two Units	7	7	-	-	14	7,700	7,700	-	-	9,240	2.71	15,400	4.51	16,940	4.96	1,127	1,610	2,254	2.8	7.3	
	7	9	-	-	16	7,700	9,900	-	-	10,560	3.09	17,600	5.16	19,360	5.67	1,246	1,780	2,492	2.9	7.5	
	9	9	-	-	18	9,900	9,900	-	-	11,880	3.48	19,800	5.80	21,780	6.38	1,379	1,970	2,758	2.9	7.6	
	7	12	-	-	19	7,700	13,200	-	-	12,540	3.68	20,900	6.13	22,990	6.74	1,435	2,050	2,870	3.0	7.8	
	9	12	-	-	21	9,900	13,200	-	-	13,860	4.06	23,100	6.77	25,410	7.45	1,554	2,220	3,108	3.0	7.9	
	7	15	-	-	22	7,700	16,500	-	-	14,520	4.26	24,200	7.09	26,620	7.80	1,603	2,290	3,206	3.1	8.0	
	9	15	-	-	24	9,900	16,500	-	-	15,840	4.64	26,400	7.74	29,040	8.51	1,701	2,430	3,402	3.2	8.3	
	12	12	-	-	24	13,200	13,200	-	-	15,840	4.64	26,400	7.74	29,040	8.51	1,701	2,430	3,402	3.2	8.3	
	7	18	-	-	25	7,700	19,800	-	-	16,500	4.84	27,500	8.06	30,250	8.87	1,757	2,510	3,514	3.2	8.3	
	9	18	-	-	27	9,900	19,800	-	-	17,820	5.22	29,700	8.70	32,670	9.58	1,869	2,670	3,738	3.3	8.5	
	12	15	-	-	27	13,200	16,500	-	-	17,820	5.22	29,700	8.70	32,670	9.58	1,869	2,670	3,738	3.3	8.5	
	12	18	-	-	30	13,200	19,800	-	-	19,800	5.80	33,000	9.67	36,300	10.64	2,016	2,880	4,032	3.4	8.7	
	15	15	-	-	30	16,500	16,500	-	-	19,800	5.80	33,000	9.67	36,300	10.64	2,016	2,880	4,032	3.4	8.7	
	7	24	-	-	31	7,700	26,400	-	-	20,460	6.00	34,100	9.99	37,510	10.99	2,058	2,940	4,116	3.4	8.8	
	9	24	-	-	33	9,818	26,182	-	-	21,600	6.33	36,000	10.55	39,600	11.61	2,107	3,010	4,214	3.5	9.1	
	15	18	-	-	33	16,364	19,636	-	-	21,600	6.33	36,000	10.55	39,600	11.61	2,107	3,010	4,214	3.5	9.1	
	18	18	-	-	36	18,000	18,000	-	-	21,600	6.33	36,000	10.55	39,600	11.61	2,107	3,010	4,214	3.5	9.1	
	12	24	-	-	36	12,000	24,000	-	-	21,600	6.33	36,000	10.55	39,600	11.61	2,107	3,010	4,214	3.5	9.1	
15	24	-	-	39	13,846	22,154	-	-	21,600	6.33	36,000	10.55	39,600	11.61	2,107	3,010	4,214	3.5	9.1		
18	24	-	-	42	15,429	20,571	-	-	21,600	6.33	36,000	10.55	39,600	11.61	2,107	3,010	4,214	3.5	9.1		
24	24	-	-	48	18,000	18,000	-	-	21,600	6.33	36,000	10.55	39,600	11.61	2,107	3,010	4,214	3.5	9.1		
Three Units	7	7	7	-	21	7,700	7,700	7,700	-	13,860	4.06	23,100	6.77	26,565	7.79	1,512	2,160	3,024	3.1	8.1	
	7	7	9	-	23	7,700	7,700	9,900	-	15,180	4.45	25,300	7.42	29,095	8.53	1,617	2,310	3,234	3.2	8.3	
	7	9	9	-	25	7,700	9,900	9,900	-	16,500	4.84	27,500	8.06	31,625	9.27	1,729	2,470	3,458	3.3	8.5	
	7	7	12	-	26	7,700	7,700	13,200	-	17,160	5.03	28,600	8.38	32,890	9.64	1,757	2,510	3,514	3.3	8.7	
	9	9	9	-	27	9,900	9,900	9,900	-	17,820	5.22	29,700	8.70	34,155	10.01	1,785	2,550	3,570	3.4	8.9	
	7	9	12	-	28	7,700	9,900	13,200	-	18,480	5.42	30,800	9.03	35,420	10.38	1,820	2,600	3,640	3.5	9.0	
	7	7	15	-	29	7,700	7,700	16,500	-	19,140	5.61	31,900	9.35	36,685	10.75	1,855	2,650	3,710	3.5	9.2	
	9	9	12	-	30	9,900	9,900	13,200	-	19,800	5.80	33,000	9.67	37,950	11.12	1,897	2,710	3,794	3.6	9.3	
	7	9	15	-	31	7,700	9,900	16,500	-	20,460	6.00	34,100	9.99	39,215	11.49	1,939	2,770	3,878	3.6	9.4	
	7	12	12	-	31	7,700	13,200	13,200	-	20,460	6.00	34,100	9.99	39,215	11.49	1,939	2,770	3,878	3.6	9.4	
	7	7	18	-	32	7,700	7,700	19,800	-	21,120	6.19	35,200	10.32	40,480	11.86	1,981	2,830	3,962	3.6	9.5	
	9	9	15	-	33	9,818	9,818	16,364	-	21,600	6.33	36,000	10.55	41,400	12.13	1,981	2,830	3,962	3.7	9.7	
	9	12	12	-	33	9,818	13,091	13,091	-	21,600	6.33	36,000	10.55	41,400	12.13	1,981	2,830	3,962	3.7	9.7	
	7	9	18	-	34	7,412	9,529	19,059	-	21,600	6.33	36,000	10.55	41,400	12.13	1,981	2,830	3,962	3.7	9.7	
	7	12	15	-	34	7,412	12,706	15,882	-	21,600	6.33	36,000	10.55	41,400	12.13	1,981	2,830	3,962	3.7	9.7	
	9	9	18	-	36	9,000	9,000	18,000	-	21,600	6.33	36,000	10.55	41,400	12.13	1,981	2,830	3,962	3.7	9.7	
	9	12	15	-	36	9,000	12,000	15,000	-	21,600	6.33	36,000	10.55	41,400	12.13	1,981	2,830	3,962	3.7	9.7	
	12	12	12	-	36	12,000	12,000	12,000	-	21,600	6.33	36,000	10.55	41,400	12.13	1,981	2,830	3,962	3.7	9.7	
	7	12	18	-	37	6,811	11,676	17,514	-	21,600	6.33	36,000	10.55	41,400	12.13	1,981	2,830	3,962	3.7	9.7	
	7	15	15	-	37	6,811	14,595	14,595	-	21,600	6.33	36,000	10.55	41,400	12.13	1,981	2,830	3,962	3.7	9.7	
	7	7	24	-	38	6,632	6,632	22,737	-	21,600	6.33	36,000	10.55	41,400	12.13	1,981	2,830	3,962	3.7	9.7	
9	12	18	-	39	8,308	11,077	16,615	-	21,600	6.33	36,000	10.55	41,400	12.13	1,981	2,830	3,962	3.7	9.7		
9	15	15	-	39	8,308	13,846	13,846	-	21,600	6.33	36,000	10.55	41,400	12.13	1,981	2,830	3,962	3.7	9.7		
12	12	15	-	39	11,077	11,077	13,846	-	21,600	6.33	36,000	10.55	41,400	12.13	1,981	2,830	3,962	3.7	9.7		
7	9	24	-	40	6,300	8,100	21,600	-	21,600	6.33	36,000	10.55	41,400	12.13	1,981	2,830	3,962	3.7	9.7		
7	15	18	-	40	6,300	13,500	16,200	-	21,600	6.33	36,000	10.55	41,400	12.13	1,981	2,830	3,962	3.7	9.7		
9	9	24	-	42	7,714	7,714	20,571	-	21,600	6.33	36,000	10.55	41,400	12.13	1,981	2,830	3,962	3.7	9.7		
9	15	18	-	42	7,714	12,857	15,429	-	21,600	6.33	36,000	10.55	41,400	12.13	1,981	2,830	3,962	3.7	9.7		

Note:

- Capacity as rated: 0 ft. above sea level with 25 ft. of refrigerant piping. 0 ft. level difference between outdoor and indoor units.
- Heating capacity rating obtained with air entering the indoor unit at 70°F dry bulb (DB) and 60°F wet bulb (WB), and outdoor ambient conditions of 47°F dry bulb (DB) and 43°F wet bulb (WB).
- Wiring cable size must comply with the applicable local and national codes.
- The specification may be subject to change without prior notice for purpose of improvement.
- At least two indoor units must be connected.
- Combination tables with calculated SEER and HSPF are outside the scope of AHRI 1230 test standard.

**FOR PROPER SYSTEM OPERATION:**

- At least two operable indoor units must be connected to the outdoor unit.
- Total connected indoor unit nominal capacity must be a minimum 40% and a maximum of 133% of outdoor unit nominal capacity.
- To calculate the connected total indoor unit nominal capacity, simply sum up the nominal capacities of all indoor units.
  - For high static duct and vertical-horizontal air handling indoor units, a 1.3 multiplier must first be applied before adding to the sum of other smaller indoor unit types.
  - When high static duct and/or vertical-horizontal air handling indoor units are the **only** connected indoor units, the multiplier is 1.2.

# COMBINATION TABLES

## LMU36CHV

Table 19: LMU36CHV with Non-Ducted Indoor Units – Rated Heating Combination Table.

Heating Capacity																				
No. of Indoor Units	Indoor Unit Combination (kBtu/h)				Room Capacity (Btu/h)				Total Capacity						Input (W)			COP	HSPF	
	IDU 1	IDU 2	IDU 3	IDU 4	Total	Unit 1	Unit 2	Unit 3	Unit 4	Minimum		Rated		Maximum		Min.	Rated			Max.
Non-Ducted Indoor Units																				
Three Units																				
	12	12	18	-	42	10,286	10,286	15,429	-	21,600	6.33	36,000	10.55	41,400	12.13	1,981	2,830	3,962	3.7	9.7
	12	15	15	-	42	10,286	12,857	12,857	-	21,600	6.33	36,000	10.55	41,400	12.13	1,981	2,830	3,962	3.7	9.7
	7	12	24	-	43	5,860	10,047	20,093	-	21,600	6.33	36,000	10.55	41,400	12.13	1,981	2,830	3,962	3.7	9.7
	7	18	18	-	43	5,860	15,070	15,070	-	21,600	6.33	36,000	10.55	41,400	12.13	1,981	2,830	3,962	3.7	9.7
	9	12	24	-	45	7,200	9,600	19,200	-	21,600	6.33	36,000	10.55	41,400	12.13	1,981	2,830	3,962	3.7	9.7
	9	18	18	-	45	7,200	14,400	14,400	-	21,600	6.33	36,000	10.55	41,400	12.13	1,981	2,830	3,962	3.7	9.7
	12	15	18	-	45	9,600	12,000	14,400	-	21,600	6.33	36,000	10.55	41,400	12.13	1,981	2,830	3,962	3.7	9.7
	15	15	15	-	45	12,000	12,000	12,000	-	21,600	6.33	36,000	10.55	41,400	12.13	1,981	2,830	3,962	3.7	9.7
	7	15	24	-	46	5,478	11,739	18,783	-	21,600	6.33	36,000	10.55	41,400	12.13	1,981	2,830	3,962	3.7	9.7
	9	15	24	-	48	6,750	11,250	18,000	-	21,600	6.33	36,000	10.55	41,400	12.13	1,981	2,830	3,962	3.7	9.7
	12	12	24	-	48	9,000	9,000	18,000	-	21,600	6.33	36,000	10.55	41,400	12.13	1,981	2,830	3,962	3.7	9.7
	12	18	18	-	48	9,000	13,500	13,500	-	21,600	6.33	36,000	10.55	41,400	12.13	1,981	2,830	3,962	3.7	9.7
	15	15	18	-	48	11,250	11,250	13,500	-	21,600	6.33	36,000	10.55	41,400	12.13	1,981	2,830	3,962	3.7	9.7
Four Units																				
	7	7	7	7	28	7,700	7,700	7,700	7,700	18,480	5.42	30,800	9.03	36,960	10.83	1,827	2,610	3,654	3.5	9.0
	7	7	7	9	30	7,700	7,700	7,700	9,900	19,800	5.80	33,000	9.67	39,600	11.61	1,883	2,690	3,766	3.6	9.3
	7	7	9	9	32	7,700	7,700	9,900	9,900	21,120	6.19	35,200	10.32	41,600	12.19	1,918	2,740	3,836	3.8	9.8
	7	7	7	12	33	7,636	7,636	7,636	13,091	21,600	6.33	36,000	10.55	41,600	12.19	1,918	2,740	3,836	3.9	10.0
	7	9	9	9	34	7,412	9,529	9,529	9,529	21,600	6.33	36,000	10.55	41,600	12.19	1,918	2,740	3,836	3.9	10.0
	7	7	9	12	35	7,200	7,200	9,257	12,343	21,600	6.33	36,000	10.55	41,600	12.19	1,918	2,740	3,836	3.9	10.0
	7	7	7	15	36	7,000	7,000	7,000	15,000	21,600	6.33	36,000	10.55	41,600	12.19	1,918	2,740	3,836	3.9	10.0
	9	9	9	9	36	9,000	9,000	9,000	9,000	21,600	6.33	36,000	10.55	41,600	12.19	1,918	2,740	3,836	3.9	10.0
	9	9	9	12	37	6,811	8,757	8,757	11,676	21,600	6.33	36,000	10.55	41,600	12.19	1,918	2,740	3,836	3.9	10.0
	7	7	9	15	38	6,632	6,632	8,526	14,211	21,600	6.33	36,000	10.55	41,600	12.19	1,918	2,740	3,836	3.9	10.0
	7	7	12	12	38	6,632	6,632	11,368	11,368	21,600	6.33	36,000	10.55	41,600	12.19	1,918	2,740	3,836	3.9	10.0
	7	7	7	18	39	6,462	6,462	6,462	16,615	21,600	6.33	36,000	10.55	41,600	12.19	1,918	2,740	3,836	3.9	10.0
	9	9	9	12	39	8,308	8,308	8,308	11,077	21,600	6.33	36,000	10.55	41,600	12.19	1,918	2,740	3,836	3.9	10.0
	7	9	9	15	40	6,300	8,100	8,100	13,500	21,600	6.33	36,000	10.55	41,600	12.19	1,918	2,740	3,836	3.9	10.0
	7	9	12	12	40	6,300	8,100	10,800	10,800	21,600	6.33	36,000	10.55	41,600	12.19	1,918	2,740	3,836	3.9	10.0
	7	7	9	18	41	6,146	6,146	7,902	15,805	21,600	6.33	36,000	10.55	41,600	12.19	1,918	2,740	3,836	3.9	10.0
	7	7	12	15	41	6,146	6,146	10,537	13,171	21,600	6.33	36,000	10.55	41,600	12.19	1,918	2,740	3,836	3.9	10.0
	9	9	9	15	42	7,714	7,714	7,714	12,857	21,600	6.33	36,000	10.55	41,600	12.19	1,918	2,740	3,836	3.9	10.0
	9	9	12	12	42	7,714	7,714	10,286	10,286	21,600	6.33	36,000	10.55	41,600	12.19	1,918	2,740	3,836	3.9	10.0
	7	9	9	18	43	5,860	7,535	7,535	15,070	21,600	6.33	36,000	10.55	41,600	12.19	1,918	2,740	3,836	3.9	10.0
	7	9	12	15	43	5,860	7,535	10,047	12,558	21,600	6.33	36,000	10.55	41,600	12.19	1,918	2,740	3,836	3.9	10.0
	7	12	12	12	43	5,860	10,047	10,047	10,047	21,600	6.33	36,000	10.55	41,600	12.19	1,918	2,740	3,836	3.9	10.0
	7	7	12	18	44	5,727	5,727	9,818	14,727	21,600	6.33	36,000	10.55	41,600	12.19	1,918	2,740	3,836	3.9	10.0
	7	7	15	15	44	5,727	5,727	12,273	12,273	21,600	6.33	36,000	10.55	41,600	12.19	1,918	2,740	3,836	3.9	10.0
	7	7	7	24	45	5,600	5,600	5,600	19,200	21,600	6.33	36,000	10.55	41,600	12.19	1,918	2,740	3,836	3.9	10.0
	9	9	9	18	45	7,200	7,200	7,200	14,400	21,600	6.33	36,000	10.55	41,600	12.19	1,918	2,740	3,836	3.9	10.0
	9	9	12	15	45	7,200	7,200	9,600	12,000	21,600	6.33	36,000	10.55	41,600	12.19	1,918	2,740	3,836	3.9	10.0
	9	12	12	12	45	7,200	9,600	9,600	9,600	21,600	6.33	36,000	10.55	41,600	12.19	1,918	2,740	3,836	3.9	10.0
	7	9	12	18	46	5,478	7,043	9,391	14,087	21,600	6.33	36,000	10.55	41,600	12.19	1,918	2,740	3,836	3.9	10.0
	7	9	15	15	46	5,478	7,043	11,739	11,739	21,600	6.33	36,000	10.55	41,600	12.19	1,918	2,740	3,836	3.9	10.0
	7	12	12	15	46	5,478	9,391	9,391	11,739	21,600	6.33	36,000	10.55	41,600	12.19	1,918	2,740	3,836	3.9	10.0
	7	7	9	24	47	5,362	5,362	6,894	18,383	21,600	6.33	36,000	10.55	41,600	12.19	1,918	2,740	3,836	3.9	10.0
	7	7	15	18	47	5,362	5,362	11,489	13,787	21,600	6.33	36,000	10.55	41,600	12.19	1,918	2,740	3,836	3.9	10.0
	9	9	12	18	48	6,750	6,750	9,000	13,500	21,600	6.33	36,000	10.55	41,600	12.19	1,918	2,740	3,836	3.9	10.0
	9	9	15	15	48	6,750	6,750	11,250	11,250	21,600	6.33	36,000	10.55	41,600	12.19	1,918	2,740	3,836	3.9	10.0
	12	12	12	12	48	9,000	9,000	9,000	9,000	21,600	6.33	36,000	10.55	41,600	12.19	1,918	2,740	3,836	3.9	10.0

Note:

- Capacity as rated:
  - 0 ft. above sea level with 25 ft. of refrigerant piping.
  - 0 ft. level difference between outdoor and indoor units.
- Heating capacity rating obtained with air entering the indoor unit at: 70°F dry bulb (DB) and 60°F wet bulb (WB), and outdoor ambient conditions of 47°F dry bulb (DB) and 43°F wet bulb (WB).
- Wiring cable size must comply with the applicable local and national codes.
- The specification may be subject to change without prior notice for purpose of improvement.
- At least two indoor units must be connected.
- Combination tables with calculated SEER and HSPF are outside the scope of AHRI 1230 test standard.

**FOR PROPER SYSTEM OPERATION:**

- At least two operable indoor units must be connected to the outdoor unit.
- Total connected indoor unit nominal capacity must be a minimum 40% and a maximum of 133% of outdoor unit nominal capacity.
- To calculate the connected total indoor unit nominal capacity, simply sum up the nominal capacities of all indoor units.
  - For high static duct and vertical-horizontal air handling indoor units, a 1.3 multiplier must first be applied before adding to the sum of other smaller indoor unit types.
  - When high static duct and/or vertical-horizontal air handling indoor units are the **only** connected indoor units, the multiplier is 1.2.

# COMBINATION TABLES

## LMU36CHV

Table 20: LMU36CHV with Ducted Indoor Units – Rated Heating Combination Table.

Heating Capacity																				
No. of Indoor Units	Indoor Unit Combination (kBtu/h)					Room Capacity (Btu/h)				Total Capacity						Input (W)			COP	HSPF
	IDU 1	IDU 2	IDU 3	IDU 4	Total	Unit 1	Unit 2	Unit 3	Unit 4	Minimum Btu/h	Rated Btu/h	Maximum Btu/h	Minimum kW	Rated kW	Maximum kW	Min.	Rated	Max.		
<b>Ducted Indoor Units</b>																				
Two Units	9	9	-	-	18	9,350	9,350	-	-	11,220	3.3	18,700	5.5	20,570	6.0	1,426	2,037	2,852	2.7	7.4
	9	12	-	-	21	9,350	12,467	-	-	13,090	3.8	21,817	6.4	23,998	7.0	1,607	2,295	3,213	2.8	7.7
	12	12	-	-	24	12,467	12,467	-	-	14,960	4.4	24,933	7.3	27,427	8.0	1,759	2,512	3,517	2.9	8.0
	9	18	-	-	27	9,350	18,700	-	-	16,830	4.9	28,050	8.2	30,855	9.0	1,932	2,761	3,865	3.0	8.2
	12	18	-	-	30	12,467	18,700	-	-	18,700	5.5	31,167	9.1	34,283	10.0	2,084	2,978	4,169	3.1	8.5
	9	24*	-	-	33	9,273	24,727	-	-	20,400	6.0	34,000	10.0	37,400	11.0	2,179	3,112	4,357	3.2	8.8
	18	18	-	-	36	17,000	17,000	-	-	20,400	6.0	34,000	10.0	37,400	11.0	2,179	3,112	4,357	3.2	8.8
12	24*	-	-	36	11,333	22,667	-	-	20,400	6.0	34,000	10.0	37,400	11.0	2,179	3,112	4,357	3.2	8.8	
Three Units	9	9	9	-	27	9,350	9,350	9,350	-	16,830	4.9	28,050	8.2	32,258	9.5	1,846	2,637	3,691	3.1	8.6
	9	9	12	-	30	9,350	9,350	12,467	-	18,700	5.5	31,167	9.1	35,842	10.5	1,961	2,802	3,923	3.3	9.0
	9	12	12	-	33	9,273	12,364	12,364	-	20,400	6.0	34,000	10.0	39,100	11.5	2,048	2,926	4,096	3.4	9.4
	9	9	18	-	36	8,500	8,500	17,000	-	20,400	6.0	34,000	10.0	39,100	11.5	2,048	2,926	4,096	3.4	9.4
	12	12	12	-	36	11,333	11,333	11,333	-	20,400	6.0	34,000	10.0	39,100	11.5	2,048	2,926	4,096	3.4	9.4
	9	12	18	-	39	7,846	10,462	15,692	-	20,400	6.0	34,000	10.0	39,100	11.5	2,048	2,926	4,096	3.4	9.4
	12	12	18	-	42	9,714	9,714	14,571	-	20,400	6.0	34,000	10.0	39,100	11.5	2,048	2,926	4,096	3.4	9.4
	9	18	18	-	45	6,800	13,600	13,600	-	20,400	6.0	34,000	10.0	39,100	11.5	2,048	2,926	4,096	3.4	9.4
12	18	18	-	48	8,500	12,750	12,750	-	20,400	6.0	34,000	10.0	39,100	11.5	2,048	2,926	4,096	3.4	9.4	
Four Units	9	9	9	9	36	8,500	8,500	8,500	8,500	20,400	6.0	34,000	10.0	41,600	12.2	1,983	2,833	3,966	3.5	9.7
	9	9	9	12	39	7,846	7,846	7,846	10,462	20,400	6.0	34,000	10.0	41,600	12.2	1,983	2,833	3,966	3.5	9.7
	9	9	12	12	42	7,286	7,286	9,714	9,714	20,400	6.0	34,000	10.0	41,600	12.2	1,983	2,833	3,966	3.5	9.7
	9	9	9	18	45	6,800	6,800	6,800	13,600	20,400	6.0	34,000	10.0	41,600	12.2	1,983	2,833	3,966	3.5	9.7
	9	12	12	12	45	6,800	9,067	9,067	9,067	20,400	6.0	34,000	10.0	41,600	12.2	1,983	2,833	3,966	3.5	9.7
	9	9	12	18	48	6,375	6,375	8,500	12,750	20,400	6.0	34,000	10.0	41,600	12.2	1,983	2,833	3,966	3.5	9.7
	12	12	12	12	48	8,500	8,500	8,500	8,500	20,400	6.0	34,000	10.0	41,600	12.2	1,983	2,833	3,966	3.5	9.7

Note:

- Capacity as rated:
  - 0 ft. above sea level with 25 ft. of refrigerant piping.
  - 0 ft. level difference between outdoor and indoor units.
- Heating capacity rating obtained with air entering the indoor unit at 70°F dry bulb (DB) and 60°F wet bulb (WB), and outdoor ambient conditions of 47°F dry bulb (DB) and 43°F wet bulb (WB)
- Wiring cable size must comply with the applicable local and national codes.
- The specification may be subject to change without prior notice for purpose of improvement.
- At least two indoor units must be connected.
- Combination tables with calculated SEER and HSPF are outside the scope of AHRI 1230 test standard.
- \*A 1.3 multiplier is necessary for the calculation of total combination.

# COMBINATION TABLES

## LMU36CHV

Table 21: LMU36CHV with Mixed Indoor Units — Rated Heating Combination Table.

Heating Capacity																				
No. of Indoor Units	Indoor Unit Combination (kBtu/h)					Room Capacity (Btu/h)				Total Capacity						Input (W)			COP	HSPF
	IDU 1	IDU 2	IDU 3	IDU 4	Total	Unit 1	Unit 2	Unit 3	Unit 4	Minimum		Rated		Maximum		Min.	Rated	Max.		
										Btu/h	kW	Btu/h	kW	Btu/h	kW					
<b>Mixed Indoor Units</b>																				
Two Units	7	9	-	-	16	7,486	9,625	-	-	10,267	3.0	17,111	5.0	18,822	5.5	1,267	1,810	2,534	2.8	7.4
	9	9	-	-	18	9,625	9,625	-	-	11,550	3.4	19,250	5.6	21,175	6.2	1,402	2,003	2,805	2.8	7.5
	7	12	-	-	19	7,486	12,833	-	-	12,192	3.6	20,319	6.0	22,351	6.6	1,459	2,085	2,919	2.9	7.6
	9	12	-	-	21	9,625	12,833	-	-	13,475	3.9	22,458	6.6	24,704	7.2	1,580	2,258	3,161	2.9	7.8
	9	15	-	-	24	9,625	16,042	-	-	15,400	4.5	25,667	7.5	28,233	8.3	1,730	2,471	3,460	3.0	8.1
	12	12	-	-	24	12,833	12,833	-	-	15,400	4.5	25,667	7.5	28,233	8.3	1,730	2,471	3,460	3.0	8.1
	7	18	-	-	25	7,486	19,250	-	-	16,042	4.7	26,736	7.8	29,410	8.6	1,787	2,553	3,574	3.1	8.2
	9	18	-	-	27	9,625	19,250	-	-	17,325	5.1	28,875	8.5	31,763	9.3	1,901	2,715	3,801	3.1	8.3
	12	15	-	-	27	12,833	16,042	-	-	17,325	5.1	28,875	8.5	31,763	9.3	1,901	2,715	3,801	3.1	8.3
	12	18	-	-	30	12,833	19,250	-	-	19,250	5.6	32,083	9.4	35,292	10.3	2,050	2,929	4,100	3.2	8.6
	7	24	-	-	31	7,486	25,667	-	-	19,892	5.8	33,153	9.7	36,468	10.7	2,093	2,990	4,186	3.2	8.7
	9	24	-	-	33	9,545	25,455	-	-	21,000	6.2	35,000	10.3	38,500	11.3	2,143	3,061	4,286	3.4	9.0
	15	18	-	-	33	15,909	19,091	-	-	21,000	6.2	35,000	10.3	38,500	11.3	2,143	3,061	4,286	3.4	9.0
	18	18	-	-	36	17,500	17,500	-	-	21,000	6.2	35,000	10.3	38,500	11.3	2,143	3,061	4,286	3.4	9.0
	12	24	-	-	36	11,667	23,333	-	-	21,000	6.2	35,000	10.3	38,500	11.3	2,143	3,061	4,286	3.4	9.0
	15	24	-	-	39	13,462	21,538	-	-	21,000	6.2	35,000	10.3	38,500	11.3	2,143	3,061	4,286	3.4	9.0
	18	24*	-	-	42	15,000	20,000	-	-	21,000	6.2	35,000	10.3	38,500	11.3	2,143	3,061	4,286	3.4	9.0
	24	24*	-	-	48	17,500	17,500	-	-	21,000	6.2	35,000	10.3	38,500	11.3	2,143	3,061	4,286	3.4	9.0
Three Units	7	7	9	-	23	7,486	7,486	9,625	-	14,758	4.3	24,597	7.2	28,287	8.3	1,644	2,349	3,289	3.1	8.2
	7	9	9	-	25	7,486	9,625	9,625	-	16,042	4.7	26,736	7.8	30,747	9.0	1,758	2,512	3,517	3.1	8.3
	7	7	12	-	26	7,486	7,486	12,833	-	16,683	4.9	27,806	8.1	31,976	9.4	1,787	2,553	3,574	3.2	8.5
	9	9	9	-	27	9,625	9,625	9,625	-	17,325	5.1	28,875	8.5	33,206	9.7	1,815	2,593	3,631	3.3	8.7
	7	9	12	-	28	7,486	9,625	12,833	-	17,967	5.3	29,944	8.8	34,436	10.1	1,851	2,644	3,702	3.3	8.9
	9	9	12	-	30	9,625	9,625	12,833	-	19,250	5.6	32,083	9.4	36,896	10.8	1,929	2,756	3,858	3.4	9.1
	7	9	15	-	31	7,486	9,625	16,042	-	19,892	5.8	33,153	9.7	38,126	11.2	1,972	2,817	3,944	3.4	9.2
	7	12	12	-	31	7,486	12,833	12,833	-	19,892	5.8	33,153	9.7	38,126	11.2	1,972	2,817	3,944	3.4	9.2
	7	7	18	-	32	7,486	7,486	19,250	-	20,533	6.0	34,222	10.0	39,356	11.5	2,015	2,878	4,029	3.5	9.3
	9	9	15	-	33	9,545	9,545	15,909	-	21,000	6.2	35,000	10.3	40,250	11.8	2,015	2,878	4,029	3.6	9.5
	9	12	12	-	33	9,545	12,727	12,727	-	21,000	6.2	35,000	10.3	40,250	11.8	2,015	2,878	4,029	3.6	9.5
	7	9	18	-	34	7,206	9,265	18,529	-	21,000	6.2	35,000	10.3	40,250	11.8	2,015	2,878	4,029	3.6	9.5
	7	12	15	-	34	7,206	12,353	15,441	-	21,000	6.2	35,000	10.3	40,250	11.8	2,015	2,878	4,029	3.6	9.5
	9	9	18	-	36	8,750	8,750	17,500	-	21,000	6.2	35,000	10.3	40,250	11.8	2,015	2,878	4,029	3.6	9.5
	9	12	15	-	36	8,750	11,667	14,583	-	21,000	6.2	35,000	10.3	40,250	11.8	2,015	2,878	4,029	3.6	9.5
	12	12	12	-	36	11,667	11,667	11,667	-	21,000	6.2	35,000	10.3	40,250	11.8	2,015	2,878	4,029	3.6	9.5
	7	12	18	-	37	6,622	11,351	17,027	-	21,000	6.2	35,000	10.3	40,250	11.8	2,015	2,878	4,029	3.6	9.5
	7	7	24	-	38	6,447	6,447	22,105	-	21,000	6.2	35,000	10.3	40,250	11.8	2,015	2,878	4,029	3.6	9.5
	9	12	18	-	39	8,077	10,769	16,154	-	21,000	6.2	35,000	10.3	40,250	11.8	2,015	2,878	4,029	3.6	9.5
	9	15	15	-	39	8,077	13,462	13,462	-	21,000	6.2	35,000	10.3	40,250	11.8	2,015	2,878	4,029	3.6	9.5
	12	12	15	-	39	10,769	10,769	13,462	-	21,000	6.2	35,000	10.3	40,250	11.8	2,015	2,878	4,029	3.6	9.5
	7	9	24	-	40	6,125	7,875	21,000	-	21,000	6.2	35,000	10.3	40,250	11.8	2,015	2,878	4,029	3.6	9.5
	7	15	18	-	40	6,125	13,125	15,750	-	21,000	6.2	35,000	10.3	40,250	11.8	2,015	2,878	4,029	3.6	9.5
	9	9	24*	-	42	7,500	7,500	20,000	-	21,000	6.2	35,000	10.3	40,250	11.8	2,015	2,878	4,029	3.6	9.5
	9	15	18	-	42	7,500	12,500	15,000	-	21,000	6.2	35,000	10.3	40,250	11.8	2,015	2,878	4,029	3.6	9.5
	12	12	18	-	42	10,000	10,000	15,000	-	21,000	6.2	35,000	10.3	40,250	11.8	2,015	2,878	4,029	3.6	9.5
	12	15	15	-	42	10,000	12,500	12,500	-	21,000	6.2	35,000	10.3	40,250	11.8	2,015	2,878	4,029	3.6	9.5
7	12	24*	-	43	5,698	9,767	19,535	-	21,000	6.2	35,000	10.3	40,250	11.8	2,015	2,878	4,029	3.6	9.5	
7	18	18	-	43	5,698	14,651	14,651	-	21,000	6.2	35,000	10.3	40,250	11.8	2,015	2,878	4,029	3.6	9.5	
9	12	24*	-	45	7,000	9,333	18,667	-	21,000	6.2	35,000	10.3	40,250	11.8	2,015	2,878	4,029	3.6	9.5	

Note:

- Capacity as rated: 0 ft. above sea level with 25 ft. of refrigerant piping. 0 ft. level difference between outdoor and indoor units.
- Heating capacity rating obtained with air entering the indoor unit at 70°F dry bulb (DB) and 60°F wet bulb (WB), and outdoor ambient conditions of 47°F dry bulb (DB) and 43°F wet bulb (WB).
- Wiring cable size must comply with the applicable local and national codes.
- The specification may be subject to change without prior notice for purpose of improvement.
- At least two indoor units must be connected.
- Combination tables with calculated SEER and HSPF are outside the scope of AHRI 1230 test standard.
- \*The indoor unit must be a non-ducted type.

**FOR PROPER SYSTEM OPERATION:**

1. At least two operable indoor units must be connected to the outdoor unit.
2. Total connected indoor unit nominal capacity must be a minimum 40% and a maximum of 133% of outdoor unit nominal capacity.
3. To calculate the connected total indoor unit nominal capacity, simply sum up the nominal capacities of all indoor units.
  - For high static duct and vertical-horizontal air handling indoor units, a 1.3 multiplier must first be applied before adding to the sum of other smaller indoor unit types.
  - When high static duct and/or vertical-horizontal air handling indoor units are the **only** connected indoor units, the multiplier is 1.2.

# COMBINATION TABLES

## LMU36CHV

Table 22: LMU36CHV with Mixed Indoor Units – Rated Heating Combination Table.

Heating Capacity																				
No. of Indoor Units	Indoor Unit Combination (kBtu/h)					Room Capacity (Btu/h)				Total Capacity						Input (W)			COP	HSPF
										Minimum		Rated		Maximum		Min.	Rated	Max.		
	IDU 1	IDU 2	IDU 3	IDU 4	To-tal	Unit 1	Unit 2	Unit 3	Unit 4	Btu/h	kW	Btu/h	kW	Btu/h	kW					
<b>Mixed Indoor Units</b>																				
Three Units	9	18	18	-	45	7,000	14,000	14,000	-	21,000	6.2	35,000	10.3	40,250	11.8	2,015	2,878	4,029	3.6	9.5
	12	15	18	-	45	9,333	11,667	14,000	-	21,000	6.2	35,000	10.3	40,250	11.8	2,015	2,878	4,029	3.6	9.5
	7	15	24*	-	46	5,326	11,413	18,261	-	21,000	6.2	35,000	10.3	40,250	11.8	2,015	2,878	4,029	3.6	9.5
	9	15	24*	-	48	6,563	10,938	17,500	-	21,000	6.2	35,000	10.3	40,250	11.8	2,015	2,878	4,029	3.6	9.5
	12	12	24*	-	48	8,750	8,750	17,500	-	21,000	6.2	35,000	10.3	40,250	11.8	2,015	2,878	4,029	3.6	9.5
	12	18	18	-	48	8,750	13,125	13,125	-	21,000	6.2	35,000	10.3	40,250	11.8	2,015	2,878	4,029	3.6	9.5
Four Units	15	15	18	-	48	10,938	10,938	13,125	-	21,000	6.2	35,000	10.3	40,250	11.8	2,015	2,878	4,029	3.6	9.5
	7	7	7	9	30	7,486	7,486	7,486	9,625	19,250	5.6	32,083	9.4	38,500	11.3	1,915	2,736	3,830	3.4	9.2
	7	7	9	9	32	7,486	7,486	9,625	9,625	20,533	6.0	34,222	10.0	41,600	12.2	1,951	2,787	3,901	3.6	9.6
	7	7	7	12	33	7,424	7,424	7,424	12,727	21,000	6.2	35,000	10.3	41,600	12.2	1,951	2,787	3,901	3.7	9.9
	7	9	9	9	34	7,206	9,265	9,265	9,265	21,000	6.2	35,000	10.3	41,600	12.2	1,951	2,787	3,901	3.7	9.9
	7	7	9	12	35	7,000	7,000	9,000	12,000	21,000	6.2	35,000	10.3	41,600	12.2	1,951	2,787	3,901	3.7	9.9
	9	9	9	9	36	8,750	8,750	8,750	8,750	21,000	6.2	35,000	10.3	41,600	12.2	1,951	2,787	3,901	3.7	9.9
	7	9	9	12	37	6,622	8,514	8,514	11,351	21,000	6.2	35,000	10.3	41,600	12.2	1,951	2,787	3,901	3.7	9.9
	7	7	9	15	38	6,447	6,447	8,289	13,816	21,000	6.2	35,000	10.3	41,600	12.2	1,951	2,787	3,901	3.7	9.9
	7	7	12	12	38	6,447	6,447	11,053	11,053	21,000	6.2	35,000	10.3	41,600	12.2	1,951	2,787	3,901	3.7	9.9
	7	7	7	18	39	6,282	6,282	6,282	16,154	21,000	6.2	35,000	10.3	41,600	12.2	1,951	2,787	3,901	3.7	9.9
	9	9	9	12	39	8,077	8,077	8,077	10,769	21,000	6.2	35,000	10.3	41,600	12.2	1,951	2,787	3,901	3.7	9.9
	7	9	9	15	40	6,125	7,875	7,875	13,125	21,000	6.2	35,000	10.3	41,600	12.2	1,951	2,787	3,901	3.7	9.9
	7	9	12	12	40	6,125	7,875	10,500	10,500	21,000	6.2	35,000	10.3	41,600	12.2	1,951	2,787	3,901	3.7	9.9
	7	7	9	18	41	5,976	5,976	7,683	15,366	21,000	6.2	35,000	10.3	41,600	12.2	1,951	2,787	3,901	3.7	9.9
	7	7	12	15	41	5,976	5,976	10,244	12,805	21,000	6.2	35,000	10.3	41,600	12.2	1,951	2,787	3,901	3.7	9.9
	9	9	9	15	42	7,500	7,500	7,500	12,500	21,000	6.2	35,000	10.3	41,600	12.2	1,951	2,787	3,901	3.7	9.9
	9	9	12	12	42	7,500	7,500	10,000	10,000	21,000	6.2	35,000	10.3	41,600	12.2	1,951	2,787	3,901	3.7	9.9
	7	9	9	18	43	5,698	7,326	7,326	14,651	21,000	6.2	35,000	10.3	41,600	12.2	1,951	2,787	3,901	3.7	9.9
	7	9	12	15	43	5,698	7,326	9,767	12,209	21,000	6.2	35,000	10.3	41,600	12.2	1,951	2,787	3,901	3.7	9.9
	7	12	12	12	43	5,698	9,767	9,767	9,767	21,000	6.2	35,000	10.3	41,600	12.2	1,951	2,787	3,901	3.7	9.9
	7	7	12	18	44	5,568	5,568	9,545	14,318	21,000	6.2	35,000	10.3	41,600	12.2	1,951	2,787	3,901	3.7	9.9
	7	7	7	24*	45	5,444	5,444	5,444	18,667	21,000	6.2	35,000	10.3	41,600	12.2	1,951	2,787	3,901	3.7	9.9
	9	9	9	18	45	7,000	7,000	7,000	14,000	21,000	6.2	35,000	10.3	41,600	12.2	1,951	2,787	3,901	3.7	9.9
	9	9	12	15	45	7,000	7,000	9,333	11,667	21,000	6.2	35,000	10.3	41,600	12.2	1,951	2,787	3,901	3.7	9.9
	9	12	12	12	45	7,000	9,333	9,333	9,333	21,000	6.2	35,000	10.3	41,600	12.2	1,951	2,787	3,901	3.7	9.9
	7	9	12	18	46	5,326	6,848	9,130	13,696	21,000	6.2	35,000	10.3	41,600	12.2	1,951	2,787	3,901	3.7	9.9
	7	9	15	15	46	5,326	6,848	11,413	11,413	21,000	6.2	35,000	10.3	41,600	12.2	1,951	2,787	3,901	3.7	9.9
7	12	12	15	46	5,326	9,130	9,130	11,413	21,000	6.2	35,000	10.3	41,600	12.2	1,951	2,787	3,901	3.7	9.9	
7	7	9	24*	47	5,213	5,213	6,702	17,872	21,000	6.2	35,000	10.3	41,600	12.2	1,951	2,787	3,901	3.7	9.9	
7	7	15	18	47	5,213	5,213	11,170	13,404	21,000	6.2	35,000	10.3	41,600	12.2	1,951	2,787	3,901	3.7	9.9	
9	9	12	18	48	6,563	6,563	8,750	13,125	21,000	6.2	35,000	10.3	41,600	12.2	1,951	2,787	3,901	3.7	9.9	
9	9	15	15	48	6,563	6,563	10,938	10,938	21,000	6.2	35,000	10.3	41,600	12.2	1,951	2,787	3,901	3.7	9.9	
12	12	12	12	48	8,750	8,750	8,750	8,750	21,000	6.2	35,000	10.3	41,600	12.2	1,951	2,787	3,901	3.7	9.9	

Note:

1. Capacity as rated.
  - 0 ft. above sea level with 25 ft. of refrigerant piping.
  - 0 ft. level difference between outdoor and indoor units.
2. Heating capacity rating obtained with air entering the indoor unit at 70°F dry bulb (DB) and 60°F wet bulb (WB), and outdoor ambient conditions of 47°F dry bulb (DB) and 43°F wet bulb (WB).
3. Wiring cable size must comply with the applicable local and national codes.
4. The specification may be subject to change without prior notice for purpose of improvement.
5. At least two indoor units must be connected.
6. Combination tables with calculated SEER and HSPF are outside the scope of AHRI 1230 test standard.
- \*The indoor unit must be a non-ducted type.



**FOR PROPER SYSTEM OPERATION:**

- At least two operable indoor units must be connected to the outdoor unit.
- Total connected indoor unit nominal capacity must be a minimum 40% and a maximum of 133% of outdoor unit nominal capacity.
- To calculate the connected total indoor unit nominal capacity, simply sum up the nominal capacities of all indoor units.
  - For high static duct and vertical-horizontal air handling indoor units, a 1.3 multiplier must first be applied before adding to the sum of other smaller indoor unit types.
  - When high static duct and/or vertical-horizontal air handling indoor units are the **only** connected indoor units, the multiplier is 1.2.

# COMBINATION TABLES

## LMU180HHV

Table 23: LMU180HHV with Non-Ducted, Ducted and Mixed Indoor Units — Rated Cooling Combination Table.

Cooling Capacity																				
No. of Indoor Units	Indoor Unit Combination (kBtu/h)					Room Capacity (Btu/h)				Total Capacity						Input (W)			EER	SEER
	IDU 1	IDU 2	IDU 3	IDU 4	Total	Unit 1	Unit 2	Unit 3	Unit 4	Minimum		Rated		Maximum		Min.	Rated	Max.		
										Btu/h	kW	Btu/h	kW	Btu/h	kW					
<b>Non-Ducted Indoor Units</b>																				
Two Units	7	7	-	-	14	7,000	7,000	-	-	8,400	2.46	14,000	4.10	16,800	4.92	875	1,249	1,749	11.2	17.4
	7	9	-	-	16	7,000	9,000	-	-	9,600	2.81	16,000	4.69	19,200	5.63	904	1,291	1,808	12.4	19.3
	9	9	-	-	18	9,000	9,000	-	-	10,800	3.16	18,000	5.28	19,980	5.57	933	1,333	1,866	13.5	21.0
	7	12	-	-	19	6,632	11,368	-	-	10,800	3.17	18,000	5.28	19,980	5.86	933	1,333	1,866	13.5	21.0
	9	12	-	-	21	7,714	10,286	-	-	10,800	3.16	18,000	5.28	19,980	5.57	933	1,333	1,866	13.5	21.0
	7	15	-	-	22	5,727	12,273	-	-	10,800	3.17	18,000	5.28	19,980	5.86	933	1,333	1,866	13.5	21.0
	9	15	-	-	24	6,750	11,250	-	-	10,800	3.17	18,000	5.28	19,980	5.86	933	1,333	1,866	13.5	21.0
12	12	-	-	24	9,000	9,000	-	-	10,800	3.16	18,000	5.28	19,980	5.57	933	1,333	1,866	13.5	21.0	
<b>Ducted Indoor Units</b>																				
Two Units	9	9	-	-	18	8,250	8,250	-	-	9,900	3.16	16,500	4.84	19,000	5.57	963	1,375	1,925	12.0	17.5
	9	12	-	-	21	7,071	9,429	-	-	9,900	3.16	16,500	4.84	19,000	5.57	963	1,375	1,925	12.0	17.5
	12	12	-	-	24	8,250	8,250	-	-	9,900	3.16	16,500	4.84	19,000	5.57	963	1,375	1,925	12.0	17.5
<b>Mixed Indoor Units</b>																				
Two Units	7	9	-	-	16	6,891	8,859	-	-	9,450	2.77	15,750	4.62	19,000	5.57	925	1,322	1,850	11.9	18.0
	9	9	-	-	18	8,625	8,625	-	-	10,350	3.16	17,250	5.06	19,000	5.57	948	1,353	1,896	12.7	19.3
	7	12	-	-	19	6,355	10,895	-	-	10,350	3.03	17,250	5.06	19,000	5.57	948	1,353	1,896	12.7	19.3
	9	12	-	-	21	7,393	9,857	-	-	10,350	3.16	17,250	5.06	19,000	5.57	948	1,353	1,896	12.7	19.3
	9	15	-	-	24	6,469	10,781	-	-	10,350	3.03	17,250	5.06	19,000	5.57	948	1,353	1,896	12.7	19.3
	12	12	-	-	24	8,625	8,625	-	-	10,350	3.16	17,250	5.06	19,000	5.57	948	1,353	1,896	12.7	19.3

Table 24: LMU180HHV with Non-Ducted, Ducted and Mixed Indoor Units — Rated Heating Combination Table.

Heating Capacity																				
No. of Indoor Units	Indoor Unit Combination (kBtu/h)					Room Capacity (Btu/h)				Total Capacity						Input (W)			COP	HSPF
	IDU 1	IDU 2	IDU 3	IDU 4	Total	Unit 1	Unit 2	Unit 3	Unit 4	Minimum		Rated		Maximum		Min.	Rated	Max.		
										Btu/h	kW	Btu/h	kW	Btu/h	kW					
<b>Non-Ducted Indoor Units</b>																				
Two Units	7	7	-	-	14	8,540	8,540	-	-	10,248	3.00	17,080	5.01	19,642	5.76	1,246	1,779	2,491	2.8	9.7
	7	9	-	-	16	8,540	10,980	-	-	11,712	3.43	19,520	5.72	22,448	6.58	1,401	2,001	2,802	2.9	9.9
	9	9	-	-	18	11,000	11,000	-	-	13,200	3.87	22,000	6.45	24,000	7.03	1,556	2,223	3,112	2.9	10.0
	7	12	-	-	19	8,105	13,895	-	-	13,200	3.87	22,000	6.45	24,000	7.03	1,556	2,223	3,112	2.9	10.0
	9	12	-	-	21	9,429	12,571	-	-	13,200	3.87	22,000	6.45	24,000	7.03	1,556	2,223	3,112	2.9	10.0
	7	15	-	-	22	7,000	15,000	-	-	13,200	3.87	22,000	6.45	24,000	7.03	1,556	2,223	3,112	2.9	10.0
	9	15	-	-	24	8,250	13,750	-	-	13,200	3.87	22,000	6.45	24,000	7.03	1,556	2,223	3,112	2.9	10.0
12	12	-	-	24	11,000	11,000	-	-	13,200	3.87	22,000	6.45	24,000	7.03	1,556	2,223	3,112	2.9	10.0	
<b>Ducted Indoor Units</b>																				
Two Units	9	9	-	-	18	11,000	11,000	-	-	13,200	3.87	22,000	6.45	24,000	7.03	1,736	2,480	3,472	2.6	9.0
	9	12	-	-	21	9,429	12,571	-	-	13,200	3.87	22,000	6.45	24,000	7.03	1,736	2,480	3,472	2.6	9.0
	12	12	-	-	24	11,000	11,000	-	-	13,200	3.87	22,000	6.45	24,000	7.03	1,736	2,480	3,472	2.6	9.0
<b>Mixed Indoor Units</b>																				
Two Units	7	9	-	-	16	8,540	10,980	-	-	11,712	3.43	19,520	5.72	22,448	6.58	1,519	2,171	3,039	2.6	9.2
	9	9	-	-	18	11,000	11,000	-	-	13,200	3.87	22,000	6.45	24,000	7.03	1,642	2,345	3,283	2.7	9.5
	7	12	-	-	19	8,105	13,895	-	-	13,200	3.87	22,000	6.45	24,000	7.03	1,642	2,345	3,283	2.7	9.5
	9	12	-	-	21	9,429	12,571	-	-	13,200	3.87	22,000	6.45	24,000	7.03	1,642	2,345	3,283	2.7	9.5
	9	15	-	-	24	8,250	13,750	-	-	13,200	3.87	22,000	6.45	24,000	7.03	1,642	2,345	3,283	2.7	9.5
	12	12	-	-	24	11,000	11,000	-	-	13,200	3.87	22,000	6.45	24,000	7.03	1,642	2,345	3,283	2.7	9.5

**Note:**

Combination Tables convey the allocation of outdoor unit Rated Capacity to each of the indicated indoor units when calling for conditioning at the same time. Refer to the Multi F ODU Combination and Performance Data manuals for more detailed information.

- Capacity as rated:
  - 0 ft. above sea level with 25 ft. of refrigerant piping.
  - 0 ft. level difference between outdoor and indoor units.
- Cooling capacity rating obtained with air entering the indoor unit at 80°F dry bulb (DB) and 67°F wet bulb (WB), and outdoor ambient conditions of 95°F dry bulb (DB) and 75°F wet bulb (WB).
- Wiring cable size must comply with the applicable local and national codes.
- The specification may be subject to change without prior notice for purpose of improvement.
- At least two indoor units must be connected.

**FOR PROPER SYSTEM OPERATION:**

- At least two operable indoor units must be connected to the outdoor unit.
- Total connected indoor unit nominal capacity must be a minimum 40% and a maximum of 133% of outdoor unit nominal capacity.
- To calculate the connected total indoor unit nominal capacity, simply sum up the nominal capacities of all indoor units.
  - For high static duct and vertical-horizontal air handling indoor units, a 1.3 multiplier must first be applied before adding to the sum of other smaller indoor unit types.
  - When high static duct and/or vertical-horizontal air handling indoor units are the **only** connected indoor units, the multiplier is 1.2.

# COMBINATION TABLES

## LMU240HHV

Table 25: LMU240HHV with Non-Ducted and Ducted Indoor Units – Rated Cooling Combination Table.

Cooling Capacity																				
No. of Indoor Units	Indoor Unit Combination (kBtu/h)					Room Capacity				Total Capacity						Input (W)			EER	SEER
	IDU 1	IDU 2	IDU 3	IDU 4	Total	Unit 1	Unit 2	Unit 3	Unit 4	Minimum		Rated		Maximum		Min.	Rated	Max.		
										Btu/h	kW	Btu/h	kW	Btu/h	kW					
<b>Non-Ducted Indoor Units</b>																				
Two Units	7	7	-	-	14	7,000	7,000	-	-	8,400	2.46	14,000	4.10	16,800	4.92	936	1,337	1,872	10.5	16.3
	7	9	-	-	16	7,000	9,000	-	-	9,600	2.81	16,000	4.69	19,200	5.63	1,013	1,447	2,025	11.1	17.2
	9	9	-	-	18	9,000	9,000	-	-	10,800	3.17	18,000	5.28	21,600	6.33	1,089	1,556	2,178	11.6	18.0
	7	12	-	-	19	7,000	12,000	-	-	11,400	3.34	19,000	5.57	22,800	6.68	1,127	1,610	2,255	11.8	18.3
	9	12	-	-	21	9,000	12,000	-	-	12,600	3.69	21,000	6.15	25,200	7.39	1,204	1,720	2,408	12.2	19.0
	7	15	-	-	22	7,000	15,000	-	-	13,200	3.87	22,000	6.45	26,400	7.74	1,242	1,774	2,484	12.4	19.3
	9	15	-	-	24	9,000	15,000	-	-	14,400	4.22	24,000	7.03	28,800	8.44	1,319	1,884	2,637	12.7	19.8
	12	12	-	-	24	12,000	12,000	-	-	14,400	4.22	24,000	7.03	28,800	8.44	1,319	1,884	2,638	12.7	19.8
	7	18	-	-	25	6,720	17,280	-	-	14,400	4.22	24,000	7.03	28,800	8.44	1,319	1,884	2,638	12.7	19.8
	9	18	-	-	27	8,000	16,000	-	-	14,400	4.22	24,000	7.03	28,800	8.44	1,319	1,884	2,638	12.7	19.8
	12	15	-	-	27	10,667	13,333	-	-	14,400	4.22	24,000	7.03	28,800	8.44	1,319	1,884	2,638	12.7	19.8
	12	18	-	-	30	9,600	14,400	-	-	14,400	4.22	24,000	7.03	28,800	8.44	1,319	1,884	2,638	12.7	19.8
	15	15	-	-	30	12,000	12,000	-	-	14,400	4.22	24,000	7.03	28,800	8.44	1,319	1,884	2,638	12.7	19.8
	7	24	-	-	31	5,419	18,581	-	-	14,400	4.22	24,000	7.03	28,800	8.44	1,319	1,884	2,638	12.7	19.8
	9	24	-	-	33	6,545	17,455	-	-	14,400	4.22	24,000	7.03	28,800	8.44	1,319	1,884	2,638	12.7	19.8
15	18	-	-	33	10,909	13,091	-	-	14,400	4.22	24,000	7.03	28,800	8.44	1,319	1,884	2,638	12.7	19.8	
Three Units	7	7	7	-	21	6,720	6,720	6,720	-	12,096	3.55	21,000	5.91	25,200	7.39	1,132	1,684	2,263	12.5	19.4
	7	7	9	-	23	6,720	6,720	8,640	-	13,248	3.88	22,080	6.47	27,600	8.09	1,188	1,697	2,375	13.0	20.2
	7	9	9	-	25	6,720	8,640	8,640	-	14,400	4.22	24,000	7.03	30,000	8.79	1,244	1,777	2,488	13.5	21.0
	7	7	12	-	26	6,462	6,462	11,077	-	14,400	4.22	24,000	7.03	30,000	8.79	1,244	1,777	2,488	13.5	21.0
	9	9	9	-	27	8,000	8,000	8,000	-	14,400	4.22	24,000	7.03	30,000	8.79	1,244	1,777	2,488	13.5	21.0
	7	9	12	-	28	6,000	7,714	10,286	-	14,400	4.22	24,000	7.03	30,000	8.79	1,244	1,777	2,488	13.5	21.0
	7	7	15	-	29	5,793	5,793	12,414	-	14,400	4.22	24,000	7.03	30,000	8.79	1,244	1,777	2,488	13.5	21.0
	9	9	12	-	30	7,200	7,200	9,600	-	14,400	4.22	24,000	7.03	30,000	8.79	1,244	1,777	2,488	13.5	21.0
	7	9	15	-	31	5,419	6,968	11,613	-	14,400	4.22	24,000	7.03	30,000	8.79	1,244	1,777	2,488	13.5	21.0
	7	12	12	-	31	5,419	9,290	9,290	-	14,400	4.22	24,000	7.03	30,000	8.79	1,244	1,777	2,488	13.5	21.0
	7	7	18	-	32	5,250	5,250	13,500	-	14,400	4.22	24,000	7.03	30,000	8.79	1,244	1,777	2,488	13.5	21.0
	9	9	15	-	33	6,545	6,545	10,909	-	14,400	4.22	24,000	7.03	30,000	8.79	1,244	1,777	2,488	13.5	21.0
9	12	12	-	33	6,545	8,727	8,727	-	14,400	4.22	24,000	7.03	30,000	8.79	1,244	1,777	2,488	13.5	21.0	
<b>Ducted Indoor Units</b>																				
Two Units	9	9	-	-	18	8,250	8,250	-	-	9,900	2.90	16,500	4.84	19,800	5.80	1,113	1,590	2,226	10.4	15.3
	9	12	-	-	21	7,736	10,314	-	-	10,830	3.17	18,050	5.29	21,660	6.35	1,185	1,693	2,370	10.7	15.8
	12	12	-	-	24	10,000	10,000	-	-	12,000	3.52	20,000	5.86	24,000	7.03	1,290	1,843	2,581	10.8	16.0
	9	18	-	-	27	6,667	13,333	-	-	12,000	3.52	20,000	5.86	24,000	7.03	1,290	1,843	2,581	10.8	16.0
Three Units	12	18	-	-	30	8,000	12,000	-	-	12,000	3.52	20,000	5.86	24,000	7.03	1,290	1,843	2,581	10.8	16.0
	9	9	9	-	27	6,667	6,667	6,667	-	12,000	3.52	20,000	5.86	25,000	7.33	1,217	1,739	2,435	11.5	17.0
	9	9	12	-	30	6,000	6,000	8,000	-	12,000	3.52	20,000	5.86	25,000	7.33	1,217	1,739	2,435	11.5	17.0
9	12	12	-	33	5,455	7,273	7,273	-	12,000	3.52	20,000	5.86	25,000	7.33	1,217	1,739	2,435	11.5	17.0	

Note :

- Capacity as rated:
  - 0 ft. above sea level with 25 ft. of refrigerant piping.
  - 0 ft. level difference between outdoor and indoor units.
- Cooling capacity rating obtained with air entering the indoor unit at 80°F dry bulb (DB) and 67°F wet bulb (WB), and outdoor ambient conditions of 95°F dry bulb (DB) and 75°F wet bulb (WB).
- Wiring cable size must comply with the applicable local and national codes.
- The specification may be subject to change without prior notice for purpose of improvement.
- At least two indoor units must be connected.

**FOR PROPER SYSTEM OPERATION:**

1. At least two operable indoor units must be connected to the outdoor unit.
2. Total connected indoor unit nominal capacity must be a minimum 40% and a maximum of 133% of outdoor unit nominal capacity.
3. To calculate the connected total indoor unit nominal capacity, simply sum up the nominal capacities of all indoor units.
  - For high static duct and vertical-horizontal air handling indoor units, a 1.3 multiplier must first be applied before adding to the sum of other smaller indoor unit types.
  - When high static duct and/or vertical-horizontal air handling indoor units are the **only** connected indoor units, the multiplier is 1.2.

# COMBINATION TABLES

## LMU240HHV

Table 26: LMU240HHV with Mixed Indoor Units — Rated Cooling Combination Table.

Cooling Capacity																					
No. of Indoor Units	Indoor Unit Combination (kBtu/h)					Room Capacity				Total Capacity						Input (W)			EER	SEER	
	IDU 1	IDU 2	IDU 3	IDU 4	Total	Unit 1	Unit 2	Unit 3	Unit 4	Minimum		Rated		Maximum		Min.	Rated	Max.			
										Btu/h	kW	Btu/h	kW	Btu/h	kW						
<b>Mixed Indoor Units</b>																					
Two Units	7	9	-	-	16	6,891	8,859	-	-	9,450	2.77	15,750	4.62	18,900	5.54	1,035	1,478	2,070	10.7	16.2	
	9	9	-	-	18	8,625	8,625	-	-	10,350	3.03	17,250	5.06	20,700	6.07	1,101	1,573	2,202	11.0	16.7	
	7	12	-	-	19	6,586	11,289	-	-	10,725	3.14	17,875	5.24	21,450	6.29	1,121	1,602	2,242	11.2	16.9	
	9	12	-	-	21	8,368	11,157	-	-	11,715	3.43	19,525	5.72	23,430	6.87	1,194	1,706	2,389	11.4	17.4	
	9	15	-	-	24	8,250	13,750	-	-	13,200	3.87	22,000	6.45	26,400	7.74	1,304	1,863	2,609	11.8	17.9	
	12	12	-	-	24	11,000	11,000	-	-	13,200	3.87	22,000	6.45	26,400	7.74	1,305	1,864	2,609	11.8	17.9	
	7	18	-	-	25	6,160	15,840	-	-	13,200	3.87	22,000	6.45	26,400	7.74	1,305	1,864	2,609	11.8	17.9	
	9	18	-	-	27	7,333	14,667	-	-	13,200	3.87	22,000	6.45	26,400	7.74	1,305	1,864	2,609	11.8	17.9	
	12	15	-	-	27	9,778	12,222	-	-	13,200	3.87	22,000	6.45	26,400	7.74	1,305	1,864	2,609	11.8	17.9	
	12	18	-	-	30	8,800	13,200	-	-	13,200	3.87	22,000	6.45	26,400	7.74	1,305	1,864	2,609	11.8	17.9	
15	18	-	-	33	10,000	12,000	-	-	13,200	3.87	22,000	6.45	26,400	7.74	1,305	1,864	2,609	11.8	17.9		
9	24	-	-	33	6,000	16,000	-	-	13,200	3.87	22,000	6.45	26,400	7.74	1,305	1,864	2,609	11.8	17.9		
Three Units	7	7	9	-	23	6,160	6,160	7,920	-	12,144	3.56	20,240	5.93	25,300	7.42	1,177	1,681	2,353	12.0	18.3	
	7	9	9	-	25	6,160	7,920	7,920	-	13,200	3.87	22,000	6.45	27,500	8.06	1,232	1,760	2,464	12.5	19.0	
	7	7	12	-	26	5,923	5,923	10,154	-	13,200	3.87	22,000	6.45	27,500	8.06	1,232	1,760	2,464	12.5	19.0	
	9	9	9	-	27	7,333	7,333	7,333	-	13,200	3.87	22,000	6.45	27,500	8.06	1,232	1,760	2,464	12.5	19.0	
	7	9	12	-	28	5,500	7,071	9,429	-	13,200	3.87	22,000	6.45	27,500	8.06	1,232	1,760	2,464	12.5	19.0	
	9	9	12	-	30	6,600	6,600	8,800	-	13,200	3.87	22,000	6.45	27,500	8.06	1,232	1,760	2,464	12.5	19.0	
	7	9	15	-	31	4,968	6,387	10,645	-	13,200	3.87	22,000	6.45	27,500	8.06	1,232	1,760	2,464	12.5	19.0	
	7	12	12	-	31	4,968	8,516	8,516	-	13,200	3.87	22,000	6.45	27,500	8.06	1,232	1,760	2,464	12.5	19.0	
	7	7	18	-	32	4,813	4,813	12,375	-	13,200	3.87	22,000	6.45	27,500	8.06	1,232	1,760	2,464	12.5	19.0	
	9	9	15	-	33	6,000	6,000	10,000	-	13,200	3.87	22,000	6.45	27,500	8.06	1,232	1,760	2,464	12.5	19.0	
9	12	12	-	33	6,000	8,000	8,000	-	13,200	3.87	22,000	6.45	27,500	8.06	1,232	1,760	2,464	12.5	19.0		

Note :

1. Capacity as rated:
  - 0 ft. above sea level with 25 ft. of refrigerant piping.
  - 0 ft. level difference between outdoor and indoor units.
2. Cooling capacity rating obtained with air entering the indoor unit at 80°F dry bulb (DB) and 67°F wet bulb (WB), and outdoor ambient conditions of 95°F dry bulb (DB) and 75°F wet bulb (WB).
3. Wiring cable size must comply with the applicable local and national codes.
4. The specification may be subject to change without prior notice for purpose of improvement.
5. At least two indoor units must be connected.
6. Combination tables with calculated SEER and HSPF are outside the scope of AHRI 1230 test standard.
- \*The indoor unit must be a non-ducted type.

**FOR PROPER SYSTEM OPERATION:**

1. At least two operable indoor units must be connected to the outdoor unit.
2. Total connected indoor unit nominal capacity must be a minimum 40% and a maximum of 133% of outdoor unit nominal capacity.
3. To calculate the connected total indoor unit nominal capacity, simply sum up the nominal capacities of all indoor units.
  - For high static duct and vertical-horizontal air handling indoor units, a 1.3 multiplier must first be applied before adding to the sum of other smaller indoor unit types.
  - When high static duct and/or vertical-horizontal air handling indoor units are the **only** connected indoor units, the multiplier is 1.2.

# COMBINATION TABLES

## LMU240HHV

Table 27: LMU240HHV with Non-Ducted and Ducted Indoor Units – Rated Heating Combination Table.

Heating Capacity																				
No. of Indoor Units	Indoor Unit Combination (kBtu/h)					Room Capacity (Btu/h)				Total Capacity						Input (W)			COP	HSPF
	IDU 1	IDU 2	IDU 3	IDU 4	Total	Unit 1	Unit 2	Unit 3	Unit 4	Minimum		Rated		Maximum		Min.	Rated	Max.		
										Btu/h	kW	Btu/h	kW	Btu/h	kW					
<b>Non-Ducted Indoor Units</b>																				
Two Units	7	7	-	-	14	8,540	8,540	-	-	10,248	3.00	17,080	5.01	19,642	5.76	1,258	1,797	2,516	2.8	8.3
	7	9	-	-	16	8,540	10,980	-	-	11,712	3.43	19,520	5.72	22,448	6.58	1,320	1,886	2,640	3.0	9.0
	9	9	-	-	18	11,000	11,000	-	-	13,200	3.87	22,000	6.45	25,300	7.42	1,414	2,020	2,828	3.2	9.5
	7	12	-	-	19	8,105	13,895	-	-	13,200	3.87	22,000	6.45	25,300	7.42	1,414	2,020	2,828	3.2	9.5
	9	12	-	-	21	9,996	13,328	-	-	13,994	4.10	23,324	6.84	26,823	7.86	1,476	2,109	2,953	3.2	9.6
	7	15	-	-	22	7,705	16,511	-	-	14,530	4.26	24,216	7.10	27,848	8.16	1,508	2,154	3,015	3.3	9.8
	9	15	-	-	24	9,750	16,250	-	-	15,600	4.57	26,000	7.62	29,900	8.76	1,570	2,243	3,140	3.4	10.1
	12	12	-	-	24	13,000	13,000	-	-	15,600	4.57	26,000	7.62	29,900	8.76	1,573	2,247	3,146	3.4	10.1
	7	18	-	-	25	7,280	18,720	-	-	15,600	4.57	26,000	7.62	29,900	8.76	1,573	2,247	3,146	3.4	10.1
	9	18	-	-	27	8,667	17,333	-	-	15,600	4.57	26,000	7.62	29,900	8.76	1,573	2,247	3,146	3.4	10.1
	12	15	-	-	27	11,556	14,444	-	-	15,600	4.57	26,000	7.62	29,900	8.76	1,573	2,247	3,146	3.4	10.1
	12	18	-	-	30	10,400	15,600	-	-	15,600	4.57	26,000	7.62	29,900	8.76	1,573	2,247	3,146	3.4	10.1
	15	15	-	-	30	13,000	13,000	-	-	15,600	4.57	26,000	7.62	29,900	8.76	1,573	2,247	3,146	3.4	10.1
	15	18	-	-	33	11,818	14,182	-	-	15,600	4.57	26,000	7.62	29,900	8.76	1,573	2,247	3,146	3.4	10.1
	7	24	-	-	31	5,871	20,129	-	-	15,600	4.57	26,000	7.62	29,900	8.76	1,573	2,247	3,146	3.4	10.1
9	24	-	-	33	7,091	18,909	-	-	15,600	4.57	26,000	7.62	29,900	8.76	1,573	2,247	3,146	3.4	10.1	
Three Units	7	7	7	-	21	7,280	7,280	7,280	-	13,104	3.84	21,840	6.40	26,208	7.68	1,388	1,983	2,776	3.2	9.6
	7	7	9	-	23	7,280	7,280	9,360	-	14,352	4.21	23,920	7.01	28,704	8.41	1,434	2,049	2,869	3.4	10.2
	7	9	9	-	25	7,280	9,360	9,360	-	15,600	4.57	26,000	7.62	31,200	9.14	1,481	2,116	2,962	3.6	10.7
	7	7	12	-	26	7,000	7,000	12,000	-	15,600	4.57	26,000	7.62	31,200	9.14	1,481	2,116	2,962	3.6	10.7
	9	9	9	-	27	8,667	8,667	8,667	-	15,600	4.57	26,000	7.62	31,200	9.14	1,481	2,116	2,962	3.6	10.7
	7	9	12	-	28	6,500	8,357	11,143	-	15,600	4.57	26,000	7.62	31,200	9.14	1,481	2,116	2,962	3.6	10.7
	7	7	15	-	29	6,276	6,276	13,448	-	15,600	4.57	26,000	7.62	31,200	9.14	1,481	2,116	2,962	3.6	10.7
	9	9	12	-	30	7,800	7,800	10,400	-	15,600	4.57	26,000	7.62	31,200	9.14	1,481	2,116	2,962	3.6	10.7
	7	9	15	-	31	5,871	7,548	12,581	-	15,600	4.57	26,000	7.62	31,200	9.14	1,481	2,116	2,962	3.6	10.7
	7	12	12	-	31	5,871	10,065	10,065	-	15,600	4.57	26,000	7.62	31,200	9.14	1,481	2,116	2,962	3.6	10.7
	7	7	18	-	32	5,688	5,688	14,625	-	15,600	4.57	26,000	7.62	31,200	9.14	1,481	2,116	2,962	3.6	10.7
	9	9	15	-	33	7,091	7,091	11,818	-	15,600	4.57	26,000	7.62	31,200	9.14	1,481	2,116	2,962	3.6	10.7
9	12	12	-	33	7,091	9,455	9,455	-	15,600	4.57	26,000	7.62	31,200	9.14	1,481	2,116	2,962	3.6	10.7	
<b>Ducted Indoor Units</b>																				
Two Units	9	9	-	-	18	11,000	11,000	-	-	13,200	3.87	22,000	6.45	25,300	7.42	1,726	2,466	3,452	2.6	8.1
	9	12	-	-	21	9,429	12,571	-	-	13,200	3.87	22,000	6.45	25,300	7.42	1,726	2,466	3,452	2.6	8.1
	12	12	-	-	24	12,000	12,000	-	-	14,400	4.22	24,000	7.03	27,600	8.09	1,736	2,480	3,472	2.8	8.5
	9	18	-	-	27	8,000	16,000	-	-	14,400	4.22	24,000	7.03	27,600	8.09	1,736	2,480	3,472	2.8	8.5
Three Units	12	18	-	-	30	9,600	14,400	-	-	14,400	4.22	24,000	7.03	27,600	8.09	1,736	2,480	3,472	2.8	8.5
	9	9	9	-	27	8,000	8,000	8,000	-	14,400	4.22	24,000	7.03	28,800	8.44	1,698	2,425	3,395	2.9	9.0
	9	9	12	-	30	7,200	7,200	9,600	-	14,400	4.22	24,000	7.03	28,800	8.44	1,698	2,425	3,395	2.9	9.0
	9	12	12	-	33	6,545	8,727	8,727	-	14,400	4.22	24,000	7.03	28,800	8.44	1,698	2,425	3,395	2.9	9.0

Note:

1. Capacity as rated:
  - 0 ft. above sea level with 25 ft. of refrigerant piping.
  - 0 ft. level difference between outdoor and indoor units.
2. Heating capacity rating obtained with air entering the indoor unit at 70°F dry bulb (DB) and 60°F wet bulb (WB), and outdoor ambient conditions of 47°F dry bulb (DB) and 43°F wet bulb (WB).
3. Wiring cable size must comply with the applicable local and national codes.
4. The specification may be subject to change without prior notice for purpose of improvement.
5. At least two indoor units must be connected.
6. Combination tables with calculated SEER and HSPF are outside the scope of AHRI 1230 test standard.

**FOR PROPER SYSTEM OPERATION:**

1. At least two operable indoor units must be connected to the outdoor unit.
2. Total connected indoor unit nominal capacity must be a minimum 40% and a maximum of 133% of outdoor unit nominal capacity.
3. To calculate the connected total indoor unit nominal capacity, simply sum up the nominal capacities of all indoor units.
  - For high static duct and vertical-horizontal air handling indoor units, a 1.3 multiplier must first be applied before adding to the sum of other smaller indoor unit types.
  - When high static duct and/or vertical-horizontal air handling indoor units are the **only** connected indoor units, the multiplier is 1.2.

# COMBINATION TABLES

## LMU240HHV

Table 28: LMU240HHV with Mixed Indoor Units – Rated Heating Combination Table.

Heating Capacity																				
No. of Indoor Units	Indoor Unit Combination (kBtu/h)					Room Capacity (Btu/h)				Total Capacity						Input (W)			COP	HSPF
	IDU 1	IDU 2	IDU 3	IDU 4	Total	Unit 1	Unit 2	Unit 3	Unit 4	Minimum		Rated		Maximum		Min.	Rated	Max.		
										Btu/h	kW	Btu/h	kW	Btu/h	kW					
<b>Mixed Indoor Units</b>																				
Two Units	7	9	-	-	16	8,540	10,980	-	-	11,712	3.43	19,520	5.72	22,448	6.58	1,462	2,089	2,924	2.7	8.4
	9	9	-	-	18	11,000	11,000	-	-	13,200	3.87	22,000	6.45	25,300	7.42	1,570	2,243	3,140	2.9	8.8
	7	12	-	-	19	8,105	13,895	-	-	13,200	3.87	22,000	6.45	25,300	7.42	1,570	2,243	3,140	2.9	8.8
	9	12	-	-	21	9,712	12,950	-	-	13,597	3.99	22,662	6.64	26,061	7.64	1,601	2,288	3,203	2.9	8.9
	9	15	-	-	24	9,375	15,625	-	-	15,000	4.40	25,000	7.33	28,750	8.43	1,685	2,407	3,369	3.0	9.3
	12	12	-	-	24	12,500	12,500	-	-	15,000	4.40	25,000	7.33	28,750	8.43	1,654	2,364	3,309	3.1	9.4
	7	18	-	-	25	7,000	18,000	-	-	15,000	4.40	25,000	7.33	28,750	8.43	1,654	2,364	3,309	3.1	9.4
	9	18	-	-	27	8,333	16,667	-	-	15,000	4.40	25,000	7.33	28,750	8.43	1,654	2,364	3,309	3.1	9.4
	12	15	-	-	27	11,111	13,889	-	-	15,000	4.40	25,000	7.33	28,750	8.43	1,654	2,364	3,309	3.1	9.4
	12	18	-	-	30	10,000	15,000	-	-	15,000	4.40	25,000	7.33	28,750	8.43	1,654	2,364	3,309	3.1	9.4
15	18	-	-	33	11,364	13,636	-	-	15,000	4.40	25,000	7.33	28,750	8.43	1,654	2,364	3,309	3.1	9.4	
9	24	-	-	33	6,818	18,182	-	-	15,000	4.40	25,000	7.33	28,750	8.43	1,654	2,364	3,309	3.1	9.4	
Three Units	7	7	9	-	23	7,000	7,000	9,000	-	13,800	4.04	23,000	6.74	27,600	8.09	1,547	2,210	3,095	3.0	9.3
	7	9	9	-	25	7,000	9,000	9,000	-	15,000	4.40	25,000	7.33	30,000	8.79	1,579	2,255	3,157	3.2	9.9
	7	7	12	-	26	6,731	6,731	11,538	-	15,000	4.40	25,000	7.33	30,000	8.79	1,579	2,255	3,157	3.2	9.9
	9	9	9	-	27	8,333	8,333	8,333	-	15,000	4.40	25,000	7.33	30,000	8.79	1,579	2,255	3,157	3.2	9.9
	7	9	12	-	28	6,250	8,036	10,714	-	15,000	4.40	25,000	7.33	30,000	8.79	1,579	2,255	3,157	3.2	9.9
	9	9	12	-	30	7,500	7,500	10,000	-	15,000	4.40	25,000	7.33	30,000	8.79	1,579	2,255	3,157	3.2	9.9
	7	9	15	-	31	5,645	7,258	12,097	-	15,000	4.40	25,000	7.33	30,000	8.79	1,579	2,255	3,157	3.2	9.9
	7	12	12	-	31	5,645	9,677	9,677	-	15,000	4.40	25,000	7.33	30,000	8.79	1,579	2,255	3,157	3.2	9.9
	7	7	18	-	32	5,469	5,469	14,063	-	15,000	4.40	25,000	7.33	30,000	8.79	1,579	2,255	3,157	3.2	9.9
	9	9	15	-	33	6,818	6,818	11,364	-	15,000	4.40	25,000	7.33	30,000	8.79	1,579	2,255	3,157	3.2	9.9
9	12	12	-	33	6,818	9,091	9,091	-	15,000	4.40	25,000	7.33	30,000	8.79	1,579	2,255	3,157	3.2	9.9	

Note:

1. Capacity as rated:
  - 0 ft. above sea level with 25 ft. of refrigerant piping.
  - 0 ft. level difference between outdoor and indoor units.
2. Heating capacity rating obtained with air entering the indoor unit at 70°F dry bulb (DB) and 60°F wet bulb (WB), and outdoor ambient conditions of 47°F dry bulb (DB) and 43°F wet bulb (WB).
3. Wiring cable size must comply with the applicable local and national codes.
4. The specification may be subject to change without prior notice for purpose of improvement.
5. At least two indoor units must be connected.
6. Combination tables with calculated SEER and HSPF are outside the scope of AHRI 1230 test standard.
- \*The indoor unit must be a non-ducted type.

**FOR PROPER SYSTEM OPERATION:**

1. At least two operable indoor units must be connected to the outdoor unit.
2. Total connected indoor unit nominal capacity must be a minimum 40% and a maximum of 133% of outdoor unit nominal capacity.
3. To calculate the connected total indoor unit nominal capacity, simply sum up the nominal capacities of all indoor units.
  - For high static duct and vertical-horizontal air handling indoor units, a 1.3 multiplier must first be applied before adding to the sum of other smaller indoor unit types.
  - When high static duct and/or vertical-horizontal air handling indoor units are the **only** connected indoor units, the multiplier is 1.2.

# COMBINATION TABLES

## LMU300HHV

Table 29: LMU300HHV with Non-Ducted Indoor Units – Rated Cooling Combination Table.

No. of Indoor Units	Indoor Unit Combination (kBtu/h)					Cooling Capacity										EER	SEER											
						Room Capacity (Btu/h)				Total Capacity								Input (W)										
	IDU 1	IDU 2	IDU 3	IDU 4	Total	Unit 1	Unit 2	Unit 3	Unit 4	Minimum		Rated		Maximum				Min.	Rated	Max.								
																				Btu/h	kW	Btu/h	kW	Btu/h	kW	Min.	Rated	Max.
<b>Non-Ducted Indoor Units</b>																												
Two Units	7	7	-	-	14	7,000	7,000	-	-	8,400	2.5	14,000	4.1	15,540	4.6	945	1,350	1,891	10.4	16.6								
	7	9	-	-	16	7,000	9,000	-	-	9,600	2.8	16,000	4.7	17,760	5.2	1,038	1,483	2,076	10.8	17.3								
	9	9	-	-	18	9,000	9,000	-	-	10,800	3.2	18,000	5.3	19,980	5.9	1,130	1,615	2,261	11.1	17.8								
	7	12	-	-	19	7,000	12,000	-	-	11,400	3.3	19,000	5.6	21,090	6.2	1,177	1,681	2,353	11.3	18.1								
	9	12	-	-	21	9,000	12,000	-	-	12,600	3.7	21,000	6.2	23,310	6.8	1,269	1,813	2,539	11.6	18.5								
	7	15	-	-	22	7,000	15,000	-	-	13,200	3.9	22,000	6.4	24,420	7.2	1,316	1,879	2,631	11.7	18.7								
	9	15	-	-	24	9,000	15,000	-	-	14,400	4.2	24,000	7.0	26,640	7.8	1,434	2,048	2,867	11.7	18.8								
	12	12	-	-	24	12,000	12,000	-	-	14,400	4.2	24,000	7.0	26,640	7.8	1,434	2,048	2,867	11.7	18.8								
	7	18	-	-	25	6,879	17,688	-	-	14,740	4.3	24,567	7.2	27,269	8.0	1,464	2,092	2,929	11.7	18.8								
	9	18	-	-	27	8,567	17,133	-	-	15,420	4.5	25,700	7.5	28,527	8.4	1,530	2,185	3,059	11.8	18.8								
	12	15	-	-	27	11,422	14,278	-	-	15,420	4.5	25,700	7.5	28,527	8.4	1,530	2,185	3,059	11.8	18.8								
	12	18	-	-	30	11,360	17,040	-	-	17,040	5.0	28,400	8.3	31,524	9.2	1,686	2,408	3,372	11.8	18.9								
	15	15	-	-	30	14,200	14,200	-	-	17,040	5.0	28,400	8.3	31,524	9.2	1,686	2,408	3,372	11.8	18.9								
	7	24	-	-	31	6,413	21,987	-	-	17,040	5.0	28,400	8.3	31,524	9.2	1,686	2,408	3,372	11.8	18.9								
	9	24	-	-	33	7,745	20,655	-	-	17,040	5.0	28,400	8.3	31,524	9.2	1,686	2,408	3,372	11.8	18.9								
15	18	-	-	33	12,909	15,491	-	-	17,040	5.0	28,400	8.3	31,524	9.2	1,686	2,408	3,372	11.8	18.9									
18	18	-	-	36	14,200	14,200	-	-	17,040	5.0	28,400	8.3	31,524	9.2	1,686	2,408	3,372	11.8	18.9									
12	24	-	-	36	9,467	18,933	-	-	17,040	5.0	28,400	8.3	31,524	9.2	1,686	2,408	3,372	11.8	18.9									
15	24	-	-	39	10,923	17,477	-	-	17,040	5.0	28,400	8.3	31,524	9.2	1,686	2,408	3,372	11.8	18.9									
Three Units	7	7	7	-	21	7,000	7,000	7,000	-	12,600	3.7	21,000	6.2	24,150	7.1	1,177	1,681	2,353	12.5	20.0								
	7	7	9	-	23	6,892	6,892	8,861	-	13,587	4.0	22,644	6.6	26,041	7.6	1,269	1,812	2,537	12.5	20.0								
	7	9	9	-	25	6,801	8,744	8,744	-	14,573	4.3	24,567	7.1	27,932	8.2	1,361	1,966	2,721	12.5	20.0								
	7	7	12	-	26	6,761	6,761	11,590	-	15,067	4.4	25,111	7.4	28,878	8.5	1,407	2,009	2,813	12.5	20.0								
	9	9	9	-	27	8,644	8,644	8,644	-	15,560	4.6	25,933	7.6	29,823	8.7	1,453	2,075	2,905	12.5	20.0								
	7	9	12	-	28	6,689	8,600	11,467	-	16,053	4.7	26,756	7.8	30,769	9.0	1,498	2,141	2,997	12.5	20.0								
	7	7	15	-	29	6,657	6,657	14,264	-	16,547	4.8	27,578	8.1	31,714	9.3	1,544	2,206	3,089	12.5	20.0								
	9	9	12	-	30	8,520	8,520	11,360	-	17,040	5.0	28,400	8.3	32,660	9.6	1,590	2,272	3,181	12.5	20.0								
	7	9	15	-	31	6,413	8,245	13,742	-	17,040	5.0	28,400	8.3	32,660	9.6	1,590	2,272	3,181	12.5	20.0								
	7	12	12	-	31	6,413	10,994	10,994	-	17,040	5.0	28,400	8.3	32,660	9.6	1,590	2,272	3,181	12.5	20.0								
	7	7	18	-	32	6,213	6,213	15,975	-	17,040	5.0	28,400	8.3	32,660	9.6	1,590	2,272	3,181	12.5	20.0								
	9	9	15	-	33	7,745	7,745	12,909	-	17,040	5.0	28,400	8.3	32,660	9.6	1,590	2,272	3,181	12.5	20.0								
	9	12	12	-	33	7,745	10,327	10,327	-	17,040	5.0	28,400	8.3	32,660	9.6	1,590	2,272	3,181	12.5	20.0								
	7	9	18	-	34	5,847	7,518	15,035	-	17,040	5.0	28,400	8.3	32,660	9.6	1,590	2,272	3,181	12.5	20.0								
	7	12	15	-	34	5,847	10,024	12,529	-	17,040	5.0	28,400	8.3	32,660	9.6	1,590	2,272	3,181	12.5	20.0								
	9	9	18	-	36	7,100	7,100	14,200	-	17,040	5.0	28,400	8.3	32,660	9.6	1,590	2,272	3,181	12.5	20.0								
	9	12	15	-	36	7,100	9,467	11,833	-	17,040	5.0	28,400	8.3	32,660	9.6	1,590	2,272	3,181	12.5	20.0								
	12	12	12	-	36	9,467	9,467	9,467	-	17,040	5.0	28,400	8.3	32,660	9.6	1,590	2,272	3,181	12.5	20.0								
	7	12	18	-	37	5,373	9,211	13,816	-	17,040	5.0	28,400	8.3	32,660	9.6	1,590	2,272	3,181	12.5	20.0								
	7	15	15	-	37	5,373	11,514	11,514	-	17,040	5.0	28,400	8.3	32,660	9.6	1,590	2,272	3,181	12.5	20.0								
7	7	24	-	38	5,232	5,232	17,937	-	17,040	5.0	28,400	8.3	32,660	9.6	1,590	2,272	3,181	12.5	20.0									
9	12	18	-	39	6,554	8,738	13,108	-	17,040	5.0	28,400	8.3	32,660	9.6	1,590	2,272	3,181	12.5	20.0									
9	15	15	-	39	6,554	10,923	10,923	-	17,040	5.0	28,400	8.3	32,660	9.6	1,590	2,272	3,181	12.5	20.0									
12	12	15	-	39	8,738	8,738	10,923	-	17,040	5.0	28,400	8.3	32,660	9.6	1,590	2,272	3,181	12.5	20.0									
7	9	24	-	40	4,970	6,390	17,040	-	17,040	5.0	28,400	8.3	32,660	9.6	1,590	2,272	3,181	12.5	20.0									
7	15	18	-	40	4,970	10,650	12,780	-	17,040	5.0	28,400	8.3	32,660	9.6	1,590	2,272	3,181	12.5	20.0									

Note:

1. Capacity as rated:
  - 0 ft. above sea level with 25 ft. of refrigerant piping.
  - 0 ft. level difference between outdoor and indoor units.
2. Cooling capacity rating obtained with air entering the indoor unit at 80°F dry bulb (DB) and 67°F wet bulb (WB), and outdoor ambient conditions of 95°F dry bulb (DB) and 75°F wet bulb (WB).
3. Wiring cable size must comply with the applicable local and national codes.
4. The specification may be subject to change without prior notice for purpose of improvement.
5. At least two indoor units must be connected.

**FOR PROPER SYSTEM OPERATION:**

1. At least two operable indoor units must be connected to the outdoor unit.
2. Total connected indoor unit nominal capacity must be a minimum 40% and a maximum of 133% of outdoor unit nominal capacity.
3. To calculate the connected total indoor unit nominal capacity, simply sum up the nominal capacities of all indoor units.
  - For high static duct and vertical-horizontal air handling indoor units, a 1.3 multiplier must first be applied before adding to the sum of other smaller indoor unit types.
  - When high static duct and/or vertical-horizontal air handling indoor units are the **only** connected indoor units, the multiplier is 1.2.

# COMBINATION TABLES

## LMU300HHV

Table 30: LMU300HHV with Non-Ducted, Ducted and Mixed Indoor Units – Rated Cooling Combination Table.

No. of Indoor Units		Cooling Capacity																		EER	SEER
		Indoor Unit Combination (kBtu/h)					Room Capacity (Btu/h)				Total Capacity						Input (W)				
		IDU 1	IDU 2	IDU 3	IDU 4	Total	Unit 1	Unit 2	Unit 3	Unit 4	Minimum		Rated		Maximum		Min.	Rated	Max.		
										Btu/h	kW	Btu/h	kW	Btu/h	kW						
<b>Non-Ducted Indoor Units</b>																					
Four Units	7	7	7	7	28	6,689	6,689	6,689	6,689	16,053	4.7	26,756	7.8	32,107	9.4	1,497	2,139	2,995	12.5	20.0	
	7	7	7	9	30	6,627	6,627	6,627	8,520	17,040	5.0	28,400	8.3	34,080	10.0	1,590	2,272	3,181	12.5	20.0	
	7	7	9	9	32	6,213	6,213	7,988	7,988	17,040	5.0	28,400	8.3	34,080	10.0	1,590	2,272	3,181	12.5	20.0	
	7	7	7	12	33	6,024	6,024	6,024	10,327	17,040	5.0	28,400	8.3	34,080	10.0	1,590	2,272	3,181	12.5	20.0	
	7	9	9	9	34	5,847	5,847	7,518	7,518	17,040	5.0	28,400	8.3	34,080	10.0	1,590	2,272	3,181	12.5	20.0	
	7	7	9	12	35	5,680	5,680	7,303	9,737	17,040	5.0	28,400	8.3	34,080	10.0	1,590	2,272	3,181	12.5	20.0	
	7	7	7	15	36	5,522	5,522	5,522	11,833	17,040	5.0	28,400	8.3	34,080	10.0	1,590	2,272	3,181	12.5	20.0	
	9	9	9	9	36	7,100	7,100	7,100	7,100	17,040	5.0	28,400	8.3	34,080	10.0	1,590	2,272	3,181	12.5	20.0	
	7	9	9	12	37	5,373	5,373	6,908	6,908	17,040	5.0	28,400	8.3	34,080	10.0	1,590	2,272	3,181	12.5	20.0	
	7	7	9	15	38	5,232	5,232	6,726	11,211	17,040	5.0	28,400	8.3	34,080	10.0	1,590	2,272	3,181	12.5	20.0	
	7	7	12	12	38	5,232	5,232	8,968	8,968	17,040	5.0	28,400	8.3	34,080	10.0	1,590	2,272	3,181	12.5	20.0	
	7	7	7	18	39	5,097	5,097	5,097	13,108	17,040	5.0	28,400	8.3	34,080	10.0	1,590	2,272	3,181	12.5	20.0	
	9	9	9	12	39	6,554	6,554	6,554	8,738	17,040	5.0	28,400	8.3	34,080	10.0	1,590	2,272	3,181	12.5	20.0	
7	9	9	15	40	4,970	6,390	6,390	10,650	17,040	5.0	28,400	8.3	34,080	10.0	1,590	2,272	3,181	12.5	20.0		
7	9	12	12	40	4,970	6,390	8,520	8,520	17,040	5.0	28,400	8.3	34,080	10.0	1,590	2,272	3,181	12.5	20.0		
<b>Ducted Indoor Units</b>																					
Two Units	9	9	-	-	18	8,250	8,250	-	-	9,900	2.9	16,500	4.8	18,315	5.4	1,169	1,670	2,338	9.9	16.5	
	9	12	-	-	21	7,867	10,489	-	-	11,014	3.2	18,356	5.4	20,375	6.0	1,300	1,857	2,599	9.9	16.5	
	12	12	-	-	24	10,219	10,219	-	-	12,263	3.6	20,438	6.0	22,686	6.6	1,446	2,066	2,892	9.9	16.5	
	9	18	-	-	27	7,506	15,013	-	-	13,511	4.0	22,519	6.6	24,996	7.3	1,592	2,275	3,184	9.9	16.5	
	12	18	-	-	30	9,840	14,760	-	-	14,760	4.3	24,600	7.2	27,306	8.0	1,739	2,484	3,477	9.9	16.5	
	9	24	-	-	33	6,709	17,891	-	-	14,760	4.3	24,600	7.2	27,306	8.0	1,739	2,484	3,477	9.9	16.6	
Three Units	18	18	-	-	36	12,300	12,300	-	-	14,760	4.3	24,600	7.2	27,306	8.0	1,739	2,484	3,477	9.9	16.6	
	9	9	9	-	27	7,333	7,333	7,333	-	13,200	3.9	22,000	6.4	25,300	7.4	1,468	2,097	2,935	10.5	17.5	
	9	9	12	-	30	7,380	7,380	9,840	-	14,760	4.3	24,600	7.2	28,290	8.3	1,640	2,343	3,280	10.5	17.5	
	9	12	12	-	33	6,709	8,945	8,945	-	14,760	4.3	24,600	7.2	28,290	8.3	1,640	2,343	3,280	10.5	17.5	
	9	9	18	-	36	6,150	6,150	12,300	-	14,760	4.3	24,600	7.2	28,290	8.3	1,640	2,343	3,280	10.5	17.5	
	12	12	12	-	36	8,200	8,200	8,200	-	14,760	4.3	24,600	7.2	28,290	8.3	1,640	2,343	3,280	10.5	17.5	
Four Units	9	12	18	-	39	5,677	7,569	11,354	-	14,760	4.3	24,600	7.2	28,290	8.3	1,640	2,343	3,280	10.5	17.5	
	9	9	9	9	36	6,150	6,150	6,150	6,150	14,760	4.3	24,600	7.2	29,520	8.7	1,640	2,343	3,280	10.5	17.5	
<b>Mixed Indoor Units</b>																					
Two Units	7	12	-	-	19	6,626	11,359	-	-	10,791	3.2	17,984	5.3	19,963	5.9	1,189	1,699	2,379	10.6	17.3	
	9	12	-	-	21	8,433	11,245	-	-	11,807	3.5	19,678	5.8	21,843	6.4	1,284	1,835	2,569	10.7	17.5	
	7	15	-	-	22	6,531	13,994	-	-	12,315	3.6	20,525	6.0	22,783	6.7	1,332	1,903	2,664	10.8	17.6	
	9	15	-	-	24	8,332	13,887	-	-	13,331	3.9	22,219	6.5	24,663	7.2	1,440	2,057	2,879	10.8	17.6	
	12	12	-	-	24	11,109	11,109	-	-	13,331	3.9	22,219	6.5	24,663	7.2	1,440	2,057	2,879	10.8	17.6	
	7	18	-	-	25	6,398	16,451	-	-	13,709	4.0	22,849	6.7	25,362	7.4	1,480	2,114	2,959	10.8	17.6	
	9	18	-	-	27	8,036	16,073	-	-	14,466	4.2	24,109	7.1	26,761	7.8	1,561	2,230	3,122	10.8	17.7	
	12	15	-	-	27	10,715	13,394	-	-	14,466	4.2	24,109	7.1	26,761	7.8	1,561	2,230	3,122	10.8	17.7	
	12	18	-	-	30	10,600	15,900	-	-	15,900	4.7	26,500	7.8	29,415	8.6	1,712	2,446	3,424	10.8	17.7	
	15	15	-	-	30	13,225	13,225	-	-	15,900	4.7	26,500	7.8	29,415	8.6	1,712	2,446	3,424	10.8	17.7	
	7	24	-	-	31	5,973	20,477	-	-	15,900	4.7	26,500	7.8	29,415	8.6	1,712	2,446	3,424	10.8	17.7	
	9	24	-	-	33	7,227	19,273	-	-	15,900	4.7	26,500	7.8	29,415	8.6	1,712	2,446	3,424	10.8	17.7	
	15	18	-	-	33	12,023	14,427	-	-	15,900	4.7	26,500	7.8	29,415	8.6	1,712	2,446	3,424	10.8	17.7	
	18	18	-	-	36	13,250	13,250	-	-	15,900	4.7	26,500	7.8	29,415	8.6	1,712	2,446	3,424	10.8	17.7	
	12	24	-	-	36	8,817	17,633	-	-	15,900	4.7	26,500	7.8	29,415	8.6	1,712	2,446	3,424	10.8	17.7	
	15	24	-	-	39	10,173	16,277	-	-	15,900	4.7	26,500	7.8	29,415	8.6	1,712	2,446	3,424	10.8	17.7	

Note:

1. Capacity as rated:
  - 0 ft. above sea level with 25 ft. of refrigerant piping.
  - 0 ft. level difference between outdoor and indoor units.
2. Cooling capacity rating obtained with air entering the indoor unit at 80°F dry bulb (DB) and 67°F wet bulb (WB), and outdoor ambient conditions of 95°F dry bulb (DB) and 75°F wet bulb (WB).
3. Wiring cable size must comply with the applicable local and national codes.
4. The specification may be subject to change without prior notice for purpose of improvement.
5. At least two indoor units must be connected.
6. Combination tables with calculated SEER and HSPF are outside the scope of AHRI 1230 test standard.
  - \*The indoor unit must be a non-ducted type.

**FOR PROPER SYSTEM OPERATION:**

1. At least two operable indoor units must be connected to the outdoor unit.
2. Total connected indoor unit nominal capacity must be a minimum 40% and a maximum of 133% of outdoor unit nominal capacity.
3. To calculate the connected total indoor unit nominal capacity, simply sum up the nominal capacities of all indoor units.
  - For high static duct and vertical-horizontal air handling indoor units, a 1.3 multiplier must first be applied before adding to the sum of other smaller indoor unit types.
  - When high static duct and/or vertical-horizontal air handling indoor units are the **only** connected indoor units, the multiplier is 1.2.

# COMBINATION TABLES

## LMU300HHV

Table 31: LMU300HHV with Mixed Indoor Units — Rated Cooling Combination Table.

Cooling Capacity																					
No. of Indoor Units	Indoor Unit Combination (kBtu/h)					Room Capacity (Btu/h)				Total Capacity						Input (W)			EER	SEER	
	IDU 1	IDU 2	IDU 3	IDU 4	Total	Unit 1	Unit 2	Unit 3	Unit 4	Minimum		Rated		Maximum		Min.	Rated	Max.			
										Btu/h	kW	Btu/h	kW	Btu/h	kW						
<b>Mixed Indoor Units</b>																					
Three Units	7	7	9	-	23	6,266	6,266	8,057	-	12,353	3.6	20,589	6.0	23,677	6.9	1,253	1,790	2,506	11.5	18.7	
	7	9	9	-	25	6,238	8,020	8,020	-	13,367	3.9	22,278	6.5	25,619	7.5	1,357	1,938	2,713	11.5	18.7	
	7	7	12	-	26	6,225	6,225	10,672	-	13,873	4.1	23,122	6.8	26,591	7.8	1,408	2,012	2,817	11.5	18.7	
	9	9	9	-	27	7,989	7,989	7,989	-	14,380	4.2	23,967	7.0	27,562	8.1	1,460	2,086	2,920	11.5	18.7	
	7	9	12	-	28	6,203	7,975	10,633	-	14,887	4.4	24,811	7.3	28,533	8.4	1,512	2,160	3,024	11.5	18.7	
	9	9	12	-	30	7,950	7,950	10,600	-	15,900	4.7	26,500	7.8	30,475	8.9	1,613	2,304	3,226	11.5	18.8	
	7	9	15	-	31	5,984	7,694	12,823	-	15,900	4.7	26,500	7.8	30,475	8.9	1,613	2,304	3,226	11.5	18.8	
	7	12	12	-	31	5,984	10,258	10,258	-	15,900	4.7	26,500	7.8	30,475	8.9	1,613	2,304	3,226	11.5	18.8	
	7	7	18	-	32	5,797	5,797	14,906	-	15,900	4.7	26,500	7.8	30,475	8.9	1,613	2,304	3,226	11.5	18.8	
	9	9	15	-	33	7,227	7,227	12,045	-	15,900	4.7	26,500	7.8	30,475	8.9	1,613	2,304	3,226	11.5	18.8	
	9	12	12	-	33	7,227	9,636	9,636	-	15,900	4.7	26,500	7.8	30,475	8.9	1,613	2,304	3,226	11.5	18.8	
	7	9	18	-	34	5,456	7,015	14,029	-	15,900	4.7	26,500	7.8	30,475	8.9	1,613	2,304	3,226	11.5	18.8	
	7	12	15	-	34	5,456	7,015	11,691	-	15,900	4.7	26,500	7.8	30,475	8.9	1,613	2,304	3,226	11.5	18.8	
	9	9	18	-	36	6,625	6,625	13,250	-	15,900	4.7	26,500	7.8	30,475	8.9	1,613	2,304	3,226	11.5	18.8	
	9	12	15	-	36	6,625	8,833	11,042	-	15,900	4.7	26,500	7.8	30,475	8.9	1,613	2,304	3,226	11.5	18.8	
	12	12	12	-	36	8,833	8,833	8,833	-	15,900	4.7	26,500	7.8	30,475	8.9	1,613	2,304	3,226	11.5	18.8	
7	12	18	-	37	5,014	8,595	12,892	-	15,900	4.7	26,500	7.8	30,475	8.9	1,613	2,304	3,226	11.5	18.8		
9	12	18	-	39	6,115	8,154	12,231	-	15,900	4.7	26,500	7.8	30,475	8.9	1,613	2,304	3,226	11.5	18.8		
9	15	15	-	39	6,115	10,192	10,192	-	15,900	4.7	26,500	7.8	30,475	8.9	1,613	2,304	3,226	11.5	18.8		
12	12	15	-	39	8,154	8,154	10,192	-	15,900	4.7	26,500	7.8	30,475	8.9	1,613	2,304	3,226	11.5	18.8		
7	15	18	-	40	4,638	9,938	11,925	-	15,900	4.7	26,500	7.8	30,475	8.9	1,613	2,304	3,226	11.5	18.8		
Four Units	7	7	7	9	30	6,183	6,183	6,183	7,950	15,900	4.7	26,500	7.8	31,800	9.3	1,613	2,304	3,226	11.5	18.8	
	7	7	9	9	32	5,797	5,797	7,453	7,453	15,900	4.7	26,500	7.8	31,800	9.3	1,613	2,304	3,226	11.5	18.8	
	7	7	7	12	33	5,621	5,621	5,621	9,636	15,900	4.7	26,500	7.8	31,800	9.3	1,613	2,304	3,226	11.5	18.8	
	7	9	9	9	34	5,456	7,015	7,015	7,015	15,900	4.7	26,500	7.8	31,800	9.3	1,613	2,304	3,226	11.5	18.8	
	7	7	9	12	35	5,300	5,300	6,814	9,086	15,900	4.7	26,500	7.8	31,800	9.3	1,613	2,304	3,226	11.5	18.8	
	9	9	9	9	36	6,625	6,625	6,625	6,625	15,900	4.7	26,500	7.8	31,800	9.3	1,613	2,304	3,226	11.5	18.8	
	7	9	9	12	37	5,014	6,446	6,446	8,595	15,900	4.7	26,500	7.8	31,800	9.3	1,613	2,304	3,226	11.5	18.8	
	7	7	9	15	38	4,882	4,882	6,276	10,461	15,900	4.7	26,500	7.8	31,800	9.3	1,613	2,304	3,226	11.5	18.8	
	7	7	12	12	38	4,882	4,882	8,368	8,368	15,900	4.7	26,500	7.8	31,800	9.3	1,613	2,304	3,226	11.5	18.8	
	7	7	7	18	39	4,756	4,756	4,756	12,231	15,900	4.7	26,500	7.8	31,800	9.3	1,613	2,304	3,226	11.5	18.8	
	9	9	9	12	39	6,115	6,115	6,115	8,154	15,900	4.7	26,500	7.8	31,800	9.3	1,613	2,304	3,226	11.5	18.8	
	7	9	9	15	40	4,638	5,963	5,963	9,938	15,900	4.7	26,500	7.8	31,800	9.3	1,613	2,304	3,226	11.5	18.8	
7	9	12	12	40	4,638	5,963	7,950	7,950	15,900	4.7	26,500	7.8	31,800	9.3	1,613	2,304	3,226	11.5	18.8		

Note:

1. Capacity as rated:
  - 0 ft. above sea level with 25 ft. of refrigerant piping.
  - 0 ft. level difference between outdoor and indoor units.
2. Cooling capacity rating obtained with air entering the indoor unit at 80°F dry bulb (DB) and 67°F wet bulb (WB), and outdoor ambient conditions of 95°F dry bulb (DB) and 75°F wet bulb (WB).
3. Wiring cable size must comply with the applicable local and national codes.
4. The specification may be subject to change without prior notice for purpose of improvement.
5. At least two indoor units must be connected.
  - \*The indoor unit must be a non-ducted type.



**FOR PROPER SYSTEM OPERATION:**

- At least two operable indoor units must be connected to the outdoor unit.
- Total connected indoor unit nominal capacity must be a minimum 40% and a maximum of 133% of outdoor unit nominal capacity.
- To calculate the connected total indoor unit nominal capacity, simply sum up the nominal capacities of all indoor units.
  - For high static duct and vertical-horizontal air handling indoor units, a 1.3 multiplier must first be applied before adding to the sum of other smaller indoor unit types.
  - When high static duct and/or vertical-horizontal air handling indoor units are the **only** connected indoor units, the multiplier is 1.2.

# COMBINATION TABLES

## LMU300HHV

Table 32: LMU300HHV with Non-Ducted Indoor Units — Rated Heating Combination Table.

No. of Indoor Units		Indoor Unit Combination (kBtu/h)					Heating Capacity										COP	HSPF		
							Room Capacity (Btu/h)				Total Capacity								Input (W)	
		IDU 1	IDU 2	IDU 3	IDU 4	Total	Unit 1	Unit 2	Unit 3	Unit 4	Minimum		Rated		Maximum				Min.	Rated
					Btu/h		kW		Btu/h		kW		Btu/h		kW					
<b>Non-Ducted Indoor Units</b>																				
Two Units	7	7	-	-	14	8,540	8,540	-	-	10,248	3.0	17,080	5.0	18,788	5.5	1,299	1,856	2,599	2.7	8.2
	7	9	-	-	16	8,540	10,980	-	-	11,712	3.4	19,520	5.7	21,472	6.3	1,353	1,933	2,706	3.0	9.0
	9	9	-	-	18	11,000	11,000	-	-	13,200	3.9	22,000	6.4	24,200	7.1	1,433	2,047	2,866	3.1	9.6
	7	12	-	-	19	8,105	13,895	-	-	13,200	3.9	22,000	6.4	24,200	7.1	1,433	2,047	2,866	3.1	9.6
	9	12	-	-	21	9,996	13,328	-	-	13,994	4.1	23,324	6.8	25,656	7.5	1,487	2,124	2,973	3.2	9.8
	7	15	-	-	22	7,705	16,511	-	-	14,530	4.3	24,216	7.1	26,638	7.8	1,513	2,162	3,027	3.3	10.0
	9	15	-	-	24	9,750	16,250	-	-	15,600	4.6	26,000	7.6	28,600	8.4	1,594	2,277	3,188	3.3	10.2
	12	12	-	-	24	13,000	13,000	-	-	15,600	4.6	26,000	7.6	28,600	8.4	1,594	2,277	3,188	3.3	10.2
	7	18	-	-	25	7,280	18,720	-	-	15,600	4.6	26,000	7.6	28,600	8.4	1,594	2,277	3,187	3.3	10.2
	9	18	-	-	27	8,813	17,627	-	-	15,864	4.6	26,440	7.7	29,084	8.5	1,647	2,353	3,294	3.3	10.1
	12	15	-	-	27	11,751	14,689	-	-	15,864	4.6	26,440	7.7	29,084	8.5	1,647	2,353	3,294	3.3	10.1
	12	18	-	-	30	11,440	17,160	-	-	17,160	5.0	28,600	8.4	31,460	9.2	1,727	2,468	3,455	3.4	10.4
	15	15	-	-	30	14,300	14,300	-	-	17,160	5.0	28,600	8.4	31,460	9.2	1,728	2,468	3,455	3.4	10.4
	7	24	-	-	31	6,458	22,142	-	-	17,160	5.0	28,600	8.4	31,460	9.2	1,728	2,468	3,455	3.4	10.4
	9	24	-	-	33	7,800	20,800	-	-	17,160	5.0	28,600	8.4	31,460	9.2	1,728	2,468	3,455	3.4	10.4
15	18	-	-	33	13,000	15,600	-	-	17,160	5.0	28,600	8.4	31,460	9.2	1,728	2,468	3,455	3.4	10.4	
18	18	-	-	36	14,300	14,300	-	-	17,160	5.0	28,600	8.4	31,460	9.2	1,728	2,468	3,455	3.4	10.4	
12	24	-	-	36	9,533	19,067	-	-	17,160	5.0	28,600	8.4	31,460	9.2	1,728	2,468	3,455	3.4	10.4	
15	24	-	-	39	11,000	17,600	-	-	17,160	5.0	28,600	8.4	31,460	9.2	1,728	2,468	3,455	3.4	10.4	
Three Units	7	7	7	-	21	7,280	7,280	7,280	-	13,104	3.8	21,840	6.4	25,116	7.4	1,385	1,979	2,770	3.2	9.9
	7	7	9	-	23	7,280	7,280	9,360	-	14,352	4.2	23,920	7.0	27,508	8.1	1,439	2,056	2,879	3.4	10.4
	7	9	9	-	25	7,280	9,360	9,360	-	15,600	4.6	26,000	7.6	29,900	8.8	1,521	2,173	3,042	3.5	10.7
	7	7	12	-	26	7,000	7,000	12,000	-	15,600	4.6	26,000	7.6	29,900	8.8	1,521	2,173	3,042	3.5	10.7
	9	9	9	-	27	8,782	8,782	8,782	-	15,808	4.6	26,347	7.7	30,299	8.9	1,548	2,212	3,096	3.5	10.7
	7	9	12	-	28	6,774	8,710	11,613	-	16,259	4.8	27,098	7.9	31,162	9.1	1,575	2,250	3,150	3.5	10.8
	7	7	15	-	29	6,722	6,722	14,405	-	16,709	4.9	27,849	8.2	32,026	9.4	1,602	2,289	3,205	3.6	10.9
	9	9	12	-	30	8,580	8,580	11,440	-	17,160	5.0	28,600	8.4	32,890	9.6	1,630	2,328	3,259	3.6	11.0
	7	9	15	-	31	6,458	8,303	13,839	-	17,160	5.0	28,600	8.4	32,890	9.6	1,630	2,328	3,259	3.6	11.0
	7	12	12	-	31	6,458	11,071	11,071	-	17,160	5.0	28,600	8.4	32,890	9.6	1,630	2,328	3,259	3.6	11.0
	7	7	18	-	32	6,256	6,256	16,088	-	17,160	5.0	28,600	8.4	32,890	9.6	1,630	2,328	3,259	3.6	11.0
	9	9	15	-	33	7,800	7,800	13,000	-	17,160	5.0	28,600	8.4	32,890	9.6	1,630	2,328	3,259	3.6	11.0
	9	12	12	-	33	7,800	10,400	10,400	-	17,160	5.0	28,600	8.4	32,890	9.6	1,630	2,328	3,259	3.6	11.0
	7	9	18	-	34	5,888	7,571	15,141	-	17,160	5.0	28,600	8.4	32,890	9.6	1,630	2,328	3,259	3.6	11.0
	7	12	15	-	34	5,888	10,094	12,618	-	17,160	5.0	28,600	8.4	32,890	9.6	1,630	2,328	3,259	3.6	11.0
	9	9	18	-	36	7,150	7,150	14,300	-	17,160	5.0	28,600	8.4	32,890	9.6	1,630	2,328	3,259	3.6	11.0
	9	12	15	-	36	7,150	9,533	11,917	-	17,160	5.0	28,600	8.4	32,890	9.6	1,630	2,328	3,259	3.6	11.0
	12	12	12	-	36	9,533	9,533	9,533	-	17,160	5.0	28,600	8.4	32,890	9.6	1,630	2,328	3,259	3.6	11.0
	7	12	18	-	37	5,411	9,276	13,914	-	17,160	5.0	28,600	8.4	32,890	9.6	1,630	2,328	3,259	3.6	11.0
	7	15	15	-	37	5,411	11,595	11,595	-	17,160	5.0	28,600	8.4	32,890	9.6	1,630	2,328	3,259	3.6	11.0
	7	7	24	-	38	5,268	5,268	18,063	-	17,160	5.0	28,600	8.4	32,890	9.6	1,630	2,328	3,259	3.6	11.0
9	12	18	-	39	6,600	8,800	13,200	-	17,160	5.0	28,600	8.4	32,890	9.6	1,630	2,328	3,259	3.6	11.0	
9	15	15	-	39	6,600	11,000	11,000	-	17,160	5.0	28,600	8.4	32,890	9.6	1,630	2,328	3,259	3.6	11.0	
12	12	15	-	39	8,800	8,800	11,000	-	17,160	5.0	28,600	8.4	32,890	9.6	1,630	2,328	3,259	3.6	11.0	
7	9	24	-	40	5,005	6,435	17,160	-	17,160	5.0	28,600	8.4	32,890	9.6	1,630	2,328	3,259	3.6	11.0	
7	15	18	-	40	5,005	10,725	12,870	-	17,160	5.0	28,600	8.4	32,890	9.6	1,630	2,328	3,259	3.6	11.0	

Note:

- Capacity as rated:
  - 0 ft. above sea level with 25 ft. of refrigerant piping.
  - 0 ft. level difference between outdoor and indoor units.
- Heating capacity rating obtained with air entering the indoor unit at 70°F dry bulb (DB) and 60°F wet bulb (WB), and outdoor ambient conditions of 47°F dry bulb (DB) and 43°F wet bulb (WB).
- Wiring cable size must comply with the applicable local and national codes.
- The specification may be subject to change without prior notice for purpose of improvement.
- At least two indoor units must be connected.

**FOR PROPER SYSTEM OPERATION:**

1. At least two operable indoor units must be connected to the outdoor unit.
2. Total connected indoor unit nominal capacity must be a minimum 40% and a maximum of 133% of outdoor unit nominal capacity.
3. To calculate the connected total indoor unit nominal capacity, simply sum up the nominal capacities of all indoor units.
  - For high static duct and vertical-horizontal air handling indoor units, a 1.3 multiplier must first be applied before adding to the sum of other smaller indoor unit types.
  - When high static duct and/or vertical-horizontal air handling indoor units are the **only** connected indoor units, the multiplier is 1.2.

# COMBINATION TABLES

## LMU300HHV

Table 33: LMU300HHV with Non-Ducted, Ducted and Mixed Indoor Units — Rated Heating Combination Table.

Heating Capacity																				
No. of Indoor Units	Indoor Unit Combination (kBtu/h)					Room Capacity (Btu/h)				Total Capacity						Input (W)			COP	HSPF
	IDU 1	IDU 2	IDU 3	IDU 4	Total	Unit 1	Unit 2	Unit 3	Unit 4	Minimum		Rated		Maximum		Min.	Rated	Max.		
Non-Ducted Indoor Units																				
Four Units	7	7	7	7	28	6,774	6,774	6,774	6,774	16,259	4.8	27,098	7.9	32,517	9.5	1,573	2,247	3,146	3.5	10.8
	7	7	7	9	30	6,673	6,673	6,673	8,580	17,160	5.0	28,600	8.4	34,320	10.1	1,630	2,328	3,259	3.6	11.0
	7	7	9	9	32	6,256	6,256	8,044	8,044	17,160	5.0	28,600	8.4	34,320	10.1	1,630	2,328	3,259	3.6	11.0
	7	7	7	12	33	6,067	6,067	6,067	10,400	17,160	5.0	28,600	8.4	34,320	10.1	1,630	2,328	3,259	3.6	11.0
	7	9	9	9	34	5,888	7,571	7,571	7,571	17,160	5.0	28,600	8.4	34,320	10.1	1,630	2,328	3,259	3.6	11.0
	7	7	9	12	35	5,720	5,720	7,354	9,806	17,160	5.0	28,600	8.4	34,320	10.1	1,630	2,328	3,259	3.6	11.0
	7	7	7	15	36	5,561	5,561	5,561	11,917	17,160	5.0	28,600	8.4	34,320	10.1	1,630	2,328	3,259	3.6	11.0
	9	9	9	9	36	7,150	7,150	7,150	7,150	17,160	5.0	28,600	8.4	34,320	10.1	1,630	2,328	3,259	3.6	11.0
	7	9	9	12	37	5,411	6,957	6,957	9,276	17,160	5.0	28,600	8.4	34,320	10.1	1,630	2,328	3,259	3.6	11.0
	7	7	9	15	38	5,268	5,268	6,774	11,289	17,160	5.0	28,600	8.4	34,320	10.1	1,630	2,328	3,259	3.6	11.0
	7	7	12	12	38	5,268	5,268	9,032	9,032	17,160	5.0	28,600	8.4	34,320	10.1	1,630	2,328	3,259	3.6	11.0
	7	7	7	18	39	5,133	5,133	5,133	13,200	17,160	5.0	28,600	8.4	34,320	10.1	1,630	2,328	3,259	3.6	11.0
9	9	9	12	39	6,600	6,600	6,600	8,800	17,160	5.0	28,600	8.4	34,320	10.1	1,630	2,328	3,259	3.6	11.0	
7	9	9	15	40	5,005	6,435	6,435	10,725	17,160	5.0	28,600	8.4	34,320	10.1	1,630	2,328	3,259	3.6	11.0	
7	9	12	12	40	5,005	6,435	8,580	8,580	17,160	5.0	28,600	8.4	34,320	10.1	1,630	2,328	3,259	3.6	11.0	
Ducted Indoor Units																				
Two Units	9	9	-	-	18	11,000	11,000	-	-	13,200	3.9	22,000	6.4	24,200	7.1	1,714	2,448	3,427	2.6	8.1
	9	12	-	-	21	9,429	12,571	-	-	13,200	3.9	22,000	6.4	24,200	7.1	1,714	2,448	3,427	2.6	8.1
	12	12	-	-	24	11,640	11,640	-	-	13,968	4.1	24,000	6.8	25,608	7.5	1,751	2,501	3,501	2.8	8.4
	9	18	-	-	27	8,380	16,760	-	-	15,084	4.4	25,140	7.4	27,654	8.1	1,805	2,578	3,609	2.9	8.8
	12	18	-	-	30	10,800	16,200	-	-	16,200	4.7	27,000	7.9	29,700	8.7	1,859	2,655	3,717	3.0	9.1
	9	24	-	-	33	7,364	19,636	-	-	16,200	4.7	27,000	7.9	29,700	8.7	1,859	2,655	3,717	3.1	9.1
Three Units	18	18	-	-	36	13,500	13,500	-	-	16,200	4.7	27,000	7.9	29,700	8.7	1,859	2,655	3,717	3.1	9.1
	9	9	9	-	27	8,240	8,240	8,240	-	14,832	4.3	24,720	7.2	28,428	8.3	1,702	2,431	3,403	3.0	9.1
	9	9	12	-	30	8,100	8,100	10,800	-	16,200	4.7	27,000	7.9	31,050	9.1	1,787	2,553	3,574	3.1	9.5
	9	12	12	-	33	7,364	9,818	9,818	-	16,200	4.7	27,000	7.9	31,050	9.1	1,787	2,553	3,574	3.1	9.5
	9	9	18	-	36	6,750	6,750	13,500	-	16,200	4.7	27,000	7.9	31,050	9.1	1,787	2,553	3,574	3.1	9.5
	12	12	12	-	36	9,000	9,000	9,000	-	16,200	4.7	27,000	7.9	31,050	9.1	1,787	2,553	3,574	3.1	9.5
Four Units	9	12	18	-	39	6,231	8,308	12,462	-	16,200	4.7	27,000	7.9	31,050	9.1	1,787	2,553	3,574	3.1	9.5
	9	9	9	9	36	6,750	6,750	6,750	6,750	16,200	4.7	27,000	7.9	32,400	9.5	1,787	2,553	3,574	3.1	9.5
	9	9	9	12	39	6,231	6,231	6,231	8,308	16,200	4.7	27,000	7.9	32,400	9.5	1,787	2,553	3,574	3.1	9.5
	Mixed Indoor Units																			
Two Units	7	9	-	-	16	8,540	10,980	-	-	11,712	3.4	19,520	5.7	21,472	6.3	1,480	2,114	2,960	2.7	8.3
	9	9	-	-	18	11,000	11,000	-	-	13,200	3.9	22,000	6.4	24,200	7.1	1,573	2,248	3,147	2.9	8.8
	7	12	-	-	19	8,105	13,895	-	-	13,200	3.9	22,000	6.4	24,200	7.1	1,573	2,248	3,147	2.9	8.8
	9	12	-	-	21	9,712	12,950	-	-	13,597	4.0	22,662	6.6	24,928	7.3	1,600	2,286	3,200	2.9	9.0
	9	15	-	-	24	9,240	15,400	-	-	14,784	4.3	24,640	7.2	27,104	7.9	1,672	2,389	3,345	3.0	9.3
	12	12	-	-	24	12,320	12,320	-	-	14,784	4.3	24,640	7.2	27,104	7.9	1,672	2,389	3,345	3.0	9.3
	7	18	-	-	25	6,986	17,964	-	-	14,970	4.4	24,950	7.3	27,445	8.0	1,681	2,402	3,362	3.0	9.4
	9	18	-	-	27	8,597	17,193	-	-	15,474	4.5	25,790	7.6	28,369	8.3	1,726	2,466	3,452	3.1	9.4
	12	15	-	-	27	11,462	14,328	-	-	15,474	4.5	25,790	7.6	28,369	8.3	1,726	2,466	3,452	3.1	9.4
	12	18	-	-	30	11,120	16,680	-	-	16,680	4.9	27,800	8.1	30,580	9.0	1,793	2,561	3,586	3.2	9.8
	7	24	-	-	31	6,277	21,523	-	-	16,680	4.9	27,800	8.1	30,580	9.0	1,793	2,561	3,586	3.2	9.8
	9	24	-	-	33	7,582	20,218	-	-	16,680	4.9	27,800	8.1	30,580	9.0	1,793	2,561	3,586	3.2	9.8
	15	18	-	-	33	12,636	15,164	-	-	16,680	4.9	27,800	8.1	30,580	9.0	1,793	2,561	3,586	3.2	9.8
	18	18	-	-	36	13,900	13,900	-	-	16,680	4.9	27,800	8.1	30,580	9.0	1,793	2,561	3,586	3.2	9.8
	12	24	-	-	36	9,267	18,533	-	-	16,680	4.9	27,800	8.1	30,580	9.0	1,793	2,561	3,586	3.2	9.8
15	24	-	-	39	10,692	17,108	-	-	16,680	4.9	27,800	8.1	30,580	9.0	1,793	2,561	3,586	3.2	9.8	

Note:

1. Capacity as rated:
  - 0 ft. above sea level with 25 ft. of refrigerant piping.
  - 0 ft. level difference between outdoor and indoor units.
2. Heating capacity rating obtained with air entering the indoor unit at 70°F dry bulb (DB) and 60°F wet bulb (WB), and outdoor ambient conditions of 47°F dry bulb (DB) and 43°F wet bulb (WB).
3. Wiring cable size must comply with the applicable local and national codes.
4. The specification may be subject to change without prior notice for purpose of improvement.
5. At least two indoor units must be connected.
  - \*The indoor unit must be a non-ducted type.

**FOR PROPER SYSTEM OPERATION:**

1. At least two operable indoor units must be connected to the outdoor unit.
2. Total connected indoor unit nominal capacity must be a minimum 40% and a maximum of 133% of outdoor unit nominal capacity.
3. To calculate the connected total indoor unit nominal capacity, simply sum up the nominal capacities of all indoor units.
  - For high static duct and vertical-horizontal air handling indoor units, a 1.3 multiplier must first be applied before adding to the sum of other smaller indoor unit types.
  - When high static duct and/or vertical-horizontal air handling indoor units are the **only** connected indoor units, the multiplier is 1.2.

# COMBINATION TABLES

## LMU300HHV

Table 34: LMU300HHV with Mixed Indoor Units — Rated Heating Combination Table.

No. of Indoor Units	Indoor Unit Combination (kBtu/h)					Room Capacity (Btu/h)				Heating Capacity						Input (W)			COP	HSPF
										Total Capacity		Total Capacity								
	IDU 1	IDU 2	IDU 3	IDU 4	Total	Unit 1	Unit 2	Unit 3	Unit 4	Minimum Btu/h	Minimum kW	Rated Btu/h	Rated kW	Maximum Btu/h	Maximum kW	Min.	Rated	Max.		
Mixed Indoor Units																				
Three Units	7	7	9	-	23	6,939	6,939	8,922	-	13,680	4.0	22,800	6.7	26,220	7.7	1,514	2,162	3,027	3.1	9.5
	7	9	9	-	25	6,888	8,856	8,856	-	14,760	4.3	24,600	7.2	28,290	8.3	1,583	2,261	3,166	3.2	9.8
	7	7	12	-	26	6,725	6,725	11,529	-	14,988	4.4	24,980	7.3	28,727	8.4	1,597	2,281	3,194	3.2	9.9
	9	9	9	-	27	8,511	8,511	8,511	-	15,320	4.5	25,533	7.5	29,363	8.6	1,625	2,321	3,250	3.2	9.9
	7	9	12	-	28	6,572	8,450	11,267	-	15,773	4.6	26,289	7.7	30,232	8.9	1,653	2,361	3,305	3.3	10.0
	9	9	12	-	30	8,340	8,340	11,120	-	16,680	4.9	27,800	8.1	31,970	9.4	1,703	2,433	3,406	3.3	10.3
	7	9	15	-	31	6,277	8,071	13,452	-	16,680	4.9	27,800	8.1	31,970	9.4	1,703	2,433	3,406	3.3	10.3
	7	12	12	-	31	6,277	10,761	10,761	-	16,680	4.9	27,800	8.1	31,970	9.4	1,703	2,433	3,406	3.3	10.3
	7	7	18	-	32	6,081	6,081	15,638	-	16,680	4.9	27,800	8.1	31,970	9.4	1,703	2,433	3,406	3.3	10.3
	9	9	15	-	33	7,582	7,582	12,636	-	16,680	4.9	27,800	8.1	31,970	9.4	1,703	2,433	3,406	3.3	10.3
	9	12	12	-	33	7,582	10,109	10,109	-	16,680	4.9	27,800	8.1	31,970	9.4	1,703	2,433	3,406	3.3	10.3
	7	9	18	-	34	5,724	7,359	14,718	-	16,680	4.9	27,800	8.1	31,970	9.4	1,703	2,433	3,406	3.3	10.3
	7	12	15	-	34	5,724	9,812	12,265	-	16,680	4.9	27,800	8.1	31,970	9.4	1,703	2,433	3,406	3.3	10.3
	9	9	18	-	36	6,950	6,950	13,900	-	16,680	4.9	27,800	8.1	31,970	9.4	1,703	2,433	3,406	3.3	10.3
	9	12	15	-	36	6,950	9,267	11,583	-	16,680	4.9	27,800	8.1	31,970	9.4	1,703	2,433	3,406	3.3	10.3
	12	12	12	-	36	9,267	9,267	9,267	-	16,680	4.9	27,800	8.1	31,970	9.4	1,703	2,433	3,406	3.3	10.3
7	12	18	-	37	5,259	9,016	13,524	-	16,680	4.9	27,800	8.1	31,970	9.4	1,703	2,433	3,406	3.3	10.3	
9	12	18	-	39	6,415	8,554	12,831	-	16,680	4.9	27,800	8.1	31,970	9.4	1,703	2,433	3,406	3.3	10.3	
9	15	15	-	39	6,415	10,692	10,692	-	16,680	4.9	27,800	8.1	31,970	9.4	1,703	2,433	3,406	3.3	10.3	
12	12	15	-	39	8,554	8,554	10,692	-	16,680	4.9	27,800	8.1	31,970	9.4	1,703	2,433	3,406	3.3	10.3	
7	15	18	-	40	4,865	10,425	12,510	-	16,680	4.9	27,800	8.1	31,970	9.4	1,703	2,433	3,406	3.3	10.3	
Four Units	7	7	9	9	32	6,081	6,081	7,819	7,819	16,680	4.9	27,800	8.1	33,360	9.8	1,703	2,433	3,406	3.3	10.3
	7	7	7	9	30	6,487	6,487	6,487	8,340	16,680	4.9	27,800	8.1	33,360	9.8	1,703	2,433	3,406	3.3	10.3
	7	7	7	12	33	5,897	5,897	5,897	10,109	16,680	4.9	27,800	8.1	33,360	9.8	1,703	2,433	3,406	3.3	10.3
	7	9	9	9	34	5,724	7,359	7,359	7,359	16,680	4.9	27,800	8.1	33,360	9.8	1,703	2,433	3,406	3.3	10.3
	7	7	9	12	35	5,560	5,560	7,149	9,531	16,680	4.9	27,800	8.1	33,360	9.8	1,703	2,433	3,406	3.3	10.3
	9	9	9	9	36	6,950	6,950	6,950	6,950	16,680	4.9	27,800	8.1	33,360	9.8	1,703	2,433	3,406	3.3	10.3
	7	9	9	12	37	5,259	6,762	6,762	9,016	16,680	4.9	27,800	8.1	33,360	9.8	1,703	2,433	3,406	3.3	10.3
	7	7	9	15	38	5,121	5,121	6,584	10,974	16,680	4.9	27,800	8.1	33,360	9.8	1,703	2,433	3,406	3.3	10.3
	7	7	12	12	38	5,121	5,121	8,779	8,779	16,680	4.9	27,800	8.1	33,360	9.8	1,703	2,433	3,406	3.3	10.3
	7	7	7	18	39	4,990	4,990	4,990	12,831	16,680	4.9	27,800	8.1	33,360	9.8	1,703	2,433	3,406	3.3	10.3
	9	9	9	12	39	6,415	6,415	6,415	8,554	16,680	4.9	27,800	8.1	33,360	9.8	1,703	2,433	3,406	3.3	10.3
	7	9	9	15	40	4,865	6,255	6,255	10,425	16,680	4.9	27,800	8.1	33,360	9.8	1,703	2,433	3,406	3.3	10.5
7	9	12	12	40	4,865	6,255	8,340	8,340	16,680	4.9	27,800	8.1	33,360	9.8	1,703	2,433	3,406	3.3	10.5	

Note:

1. Capacity as rated:
  - 0 ft. above sea level with 25 ft. of refrigerant piping.
  - 0 ft. level difference between outdoor and indoor units.
2. Heating capacity rating obtained with air entering the indoor unit at 70°F dry bulb (DB) and 60°F wet bulb (WB), and outdoor ambient conditions of 47°F dry bulb (DB) and 43°F wet bulb (WB).
3. Wiring cable size must comply with the applicable local and national codes.
4. The specification may be subject to change without prior notice for purpose of improvement.
5. At least two indoor units must be connected.
  - \*The indoor unit must be a non-ducted type.

# COMBINATION TABLES

## LMU480HV

The individual indoor unit capacity can be calculated based on the outdoor unit rated capacity as follows.<sup>1</sup>

$$\text{Individual Indoor Unit Combination Capacity (Qidu [Combi])} = \frac{\text{Outdoor Unit Rated Capacity (Qodu [Rated])} \times \text{Individual Indoor Unit Rated Capacity (Qidu [Rated])}{\text{Total Connected Indoor Unit Rated Capacity } (\sum \text{Qidu [Rated]})}$$

<sup>1</sup>To calculate the individual IDU capacity based on ODU corrected capacity, replace (Qodu [Rated]) with (Qodu [Corrected]) where (Qodu [Corrected]) is obtained from the capacity tables referencing design conditions.

Table 35: LMU480HV with Non-Ducted Indoor Units – Rated Cooling Combination Table.

Total Indoor Unit Capacity (kBtu/h)	Cooling Capacity									EER	SEER
	Minimum		Rated		Maximum		Input (W)				
	Btu/h	kW	Btu/h	kW	Btu/h	kW	Minimum	Rated	Maximum		
24	14,400	4.22	24,000	7.03	26,400	7.74	968	1,500	1,800	16.0	21.0
25	15,000	4.40	25,000	7.33	27,500	8.06	1,031	1,598	1,917	15.6	20.9
26	15,600	4.57	26,000	7.62	28,600	8.38	1,094	1,695	2,034	15.3	20.9
27	16,200	4.75	27,000	7.91	29,700	8.70	1,156	1,793	2,151	15.1	20.8
28	16,800	4.92	28,000	8.21	30,800	9.03	1,219	1,890	2,268	14.8	20.8
29	17,400	5.10	29,000	8.50	31,900	9.35	1,282	1,988	2,385	14.6	20.7
30	18,000	5.28	30,000	8.79	33,000	9.67	1,345	2,085	2,502	14.4	20.6
31	18,600	5.45	31,000	9.09	34,100	9.99	1,408	2,183	2,619	14.2	20.6
32	19,200	5.63	32,000	9.38	35,200	10.32	1,471	2,280	2,736	14.0	20.5
33	19,800	5.80	33,000	9.67	36,300	10.64	1,534	2,378	2,853	13.9	20.4
34	20,400	5.98	34,000	9.96	37,400	10.96	1,597	2,475	2,970	13.7	20.4
35	21,000	6.15	35,000	10.26	38,500	11.28	1,660	2,573	3,087	13.6	20.3
36	21,600	6.33	36,000	10.55	39,600	11.61	1,723	2,670	3,204	13.5	20.3
37	22,200	6.51	37,000	10.84	40,700	11.93	1,785	2,768	3,321	13.4	20.2
38	22,800	6.68	38,000	11.14	41,800	12.25	1,848	2,865	3,438	13.3	20.1
39	23,400	6.86	39,000	11.43	42,900	12.57	1,911	2,963	3,555	13.2	20.1
40	24,000	7.03	40,000	11.72	44,000	12.90	1,974	3,060	3,672	13.1	20.0
41	24,600	7.21	41,000	12.02	45,100	13.22	2,037	3,158	3,789	13.0	19.9
42	25,200	7.39	42,000	12.31	46,200	13.54	2,100	3,255	3,906	12.9	19.9
43	25,800	7.56	43,000	12.60	47,300	13.86	2,163	3,353	4,023	12.8	19.8
44	26,400	7.74	44,000	12.90	48,400	14.19	2,226	3,450	4,140	12.8	19.8
45	27,000	7.91	45,000	13.19	49,500	14.51	2,289	3,548	4,257	12.7	19.7
46	27,600	8.09	46,000	13.48	50,600	14.83	2,352	3,645	4,374	12.6	19.6
47	28,200	8.26	47,000	13.77	51,700	15.15	2,415	3,743	4,491	12.6	19.6
48	28,800	8.44	48,000	14.07	52,800	15.47	2,477	3,840	4,608	12.5	19.5
49	28,967	8.49	48,278	14.15	53,106	15.56	2,512	3,894	4,673	12.4	19.3
50	29,134	8.54	48,556	14.23	53,412	15.65	2,547	3,948	4,738	12.3	19.2
51	29,301	8.59	48,834	14.31	53,718	15.74	2,582	4,002	4,803	12.2	19.0
52	29,467	8.64	49,112	14.39	54,024	15.83	2,617	4,056	4,868	12.1	18.9
53	29,634	8.69	49,390	14.48	54,329	15.92	2,652	4,111	4,933	12.0	18.7
54	29,801	8.73	49,668	14.56	54,635	16.01	2,687	4,165	4,998	11.9	18.6
55	29,968	8.78	49,947	14.64	54,941	16.10	2,722	4,219	5,063	11.8	18.5
56	30,135	8.83	50,225	14.72	55,247	16.19	2,757	4,273	5,128	11.8	18.3
57	30,302	8.88	50,503	14.80	55,553	16.28	2,792	4,327	5,192	11.7	18.2
58	30,468	8.93	50,781	14.88	55,859	16.37	2,827	4,381	5,257	11.6	18.1
59	30,635	8.98	51,059	14.96	56,165	16.46	2,861	4,435	5,322	11.5	18.0
60	30,802	9.03	51,337	15.05	56,471	16.55	2,896	4,489	5,387	11.4	17.8
61	30,969	9.08	51,615	15.13	56,776	16.64	2,931	4,544	5,452	11.4	17.7
62	31,136	9.13	51,893	15.21	57,082	16.73	2,966	4,598	5,517	11.3	17.6
63	31,303	9.17	52,171	15.29	57,388	16.82	3,001	4,652	5,582	11.2	17.5
64	31,470	9.22	52,449	15.37	57,694	16.91	3,036	4,706	5,647	11.1	17.4
65	31,636	9.27	52,727	15.45	58,000	17.00	3,071	4,760	5,712	11.1	17.3

Note:

- Capacity as rated: 0 ft. above sea level with piping length as main pipe (16.4 ft.) + branch pipe (98.4 ft.) = 115 ft.  
0 ft. level difference between outdoor and indoor units.
- Cooling capacity rating obtained with air entering the indoor unit at 80°F dry bulb (DB) and 67°F wet bulb (WB), and outdoor ambient conditions of 95°F dry bulb (DB) and 75°F wet bulb (WB).
- Wiring cable size must comply with the applicable local and national codes.
- The specification may be subject to change without prior notice for purpose of improvement.
- Sum of connected indoor units' capacity is 24-65 kBtu/h.
- At least two indoor units must be connected.
- Combination tables with calculated SEER and HSPF are outside the scope of AHRI 1230 test standard.

**FOR PROPER SYSTEM OPERATION:**

1. At least two operable indoor units must be connected to the outdoor unit.
2. Total connected indoor unit nominal capacity must be a minimum 40% and a maximum of 133% of outdoor unit nominal capacity.
3. To calculate the connected total indoor unit nominal capacity, simply sum up the nominal capacities of all indoor units.
  - For high static duct and vertical-horizontal air handling indoor units, a 1.3 multiplier must first be applied before adding to the sum of other smaller indoor unit types.
  - When high static duct and/or vertical-horizontal air handling indoor units are the **only** connected indoor units, the multiplier is 1.2.

# COMBINATION TABLES

## LMU480HV

Table 36: LMU480HV with Ducted Indoor Units — Rated Cooling Combination Table.

Total Indoor Unit Capacity (kBtu/h)	Cooling Capacity									EER	SEER
	Minimum		Rated		Maximum		Input (W)				
	Btu/h	kW	Btu/h	kW	Btu/h	kW	Minimum	Rated	Maximum		
24	13,200	3.87	22,000	6.45	24,200	7.09	935	1,450	1,740	15.2	20.0
25	13,750	4.03	22,917	6.72	25,208	7.39	1,006	1,559	1,871	14.7	19.9
26	14,300	4.19	23,833	6.99	26,217	7.68	1,077	1,669	2,002	14.3	19.8
27	14,850	4.35	24,750	7.25	27,225	7.98	1,147	1,778	2,134	13.9	19.7
28	15,400	4.51	25,667	7.52	28,233	8.27	1,218	1,887	2,265	13.6	19.6
29	15,950	4.67	26,583	7.79	29,242	8.57	1,288	1,997	2,396	13.3	19.5
30	16,500	4.84	27,500	8.06	30,250	8.87	1,359	2,106	2,527	13.1	19.4
31	17,050	5.00	28,417	8.33	31,258	9.16	1,429	2,215	2,658	12.8	19.3
32	17,600	5.16	29,333	8.60	32,267	9.46	1,500	2,325	2,790	12.6	19.2
33	18,150	5.32	30,250	8.87	33,275	9.75	1,570	2,434	2,921	12.4	19.1
34	18,700	5.48	31,167	9.13	34,283	10.05	1,641	2,543	3,052	12.3	19.0
35	19,250	5.64	32,083	9.40	35,292	10.34	1,711	2,653	3,183	12.1	18.9
36	19,800	5.80	33,000	9.67	36,300	10.64	1,782	2,762	3,314	11.9	18.8
37	20,350	5.96	33,917	9.94	37,308	10.93	1,852	2,871	3,446	11.8	18.6
38	20,900	6.13	34,833	10.21	38,317	11.23	1,923	2,981	3,577	11.7	18.5
39	21,450	6.29	35,750	10.48	39,325	11.53	1,994	3,090	3,708	11.6	18.4
40	22,000	6.45	36,667	10.75	40,333	11.82	2,064	3,199	3,839	11.5	18.3
41	22,550	6.61	37,583	11.02	41,342	12.12	2,135	3,309	3,970	11.4	18.2
42	23,100	6.77	38,500	11.28	42,350	12.41	2,205	3,418	4,102	11.3	18.1
43	23,650	6.93	39,417	11.55	43,358	12.71	2,276	3,527	4,233	11.2	18.0
44	24,200	7.09	40,333	11.82	44,367	13.00	2,346	3,637	4,364	11.1	17.9
45	24,750	7.25	41,250	12.09	45,375	13.30	2,417	3,746	4,495	11.0	17.8
46	25,300	7.42	42,167	12.36	46,383	13.59	2,487	3,855	4,626	10.9	17.7
47	25,850	7.58	43,083	12.63	47,392	13.89	2,558	3,965	4,758	10.9	17.6
48	26,400	7.74	44,000	12.90	48,400	14.19	2,628	4,074	4,889	10.8	17.5
49	26,553	7.78	44,255	12.97	48,680	14.27	2,665	4,131	4,958	10.7	17.4
50	26,706	7.83	44,510	13.05	48,961	14.35	2,702	4,189	5,027	10.6	17.2
51	26,859	7.87	44,765	13.12	49,241	14.43	2,740	4,246	5,095	10.5	17.1
52	27,012	7.92	45,020	13.19	49,522	14.51	2,777	4,304	5,164	10.5	17.0
53	27,165	7.96	45,275	13.27	49,802	14.60	2,814	4,361	5,233	10.4	16.8
54	27,318	8.01	45,529	13.34	50,082	14.68	2,851	4,418	5,302	10.3	16.7
55	27,471	8.05	45,784	13.42	50,363	14.76	2,888	4,476	5,371	10.2	16.6
56	27,624	8.10	46,039	13.49	50,643	14.84	2,925	4,533	5,440	10.2	16.5
57	27,776	8.14	46,294	13.57	50,924	14.92	2,962	4,591	5,509	10.1	16.3
58	27,929	8.19	46,549	13.64	51,204	15.01	2,999	4,648	5,578	10.0	16.2
59	28,082	8.23	46,804	13.72	51,484	15.09	3,036	4,706	5,647	9.9	16.1
60	28,235	8.28	47,059	13.79	51,765	15.17	3,073	4,763	5,716	9.9	16.0
61	28,388	8.32	47,314	13.87	52,045	15.25	3,110	4,820	5,784	9.8	15.9
62	28,541	8.36	47,569	13.94	52,325	15.34	3,147	4,878	5,853	9.8	15.8
63	28,694	8.41	47,824	14.02	52,606	15.42	3,184	4,935	5,922	9.7	15.7
64	28,847	8.45	48,078	14.09	52,886	15.50	3,221	4,993	5,991	9.6	15.6
65	29,000	8.50	48,333	14.17	53,167	15.58	3,258	5,050	6,060	9.6	15.5

Note:

1. Capacity as rated: 0 ft. above sea level with piping length as main pipe (16.4 ft.) + branch pipe (98.4 ft.) = 115 ft.  
0 ft. level difference between outdoor and indoor units.
2. Cooling capacity rating obtained with air entering the indoor unit at 80°F dry bulb (DB) and 67°F wet bulb (WB), and outdoor ambient conditions of 95°F dry bulb (DB) and 75°F wet bulb (WB).
3. Wiring cable size must comply with the applicable local and national codes.
4. The specification may be subject to change without prior notice for purpose of improvement.
5. Sum of connected indoor units' capacity is 24-65 kBtu/h.
6. At least two indoor units must be connected.
7. Combination tables with calculated SEER and HSPF are outside the scope of AHRI 1230 test standard.

# COMBINATION TABLES

## LMU480HV

Table 37: LMU480HV with Mixed Indoor Units — Rated Cooling Combination Table.

Total Indoor Unit Capacity (kBtu/h)	Cooling Capacity									EER	SEER
	Minimum		Rated		Maximum		Input (W)				
	Btu/h	kW	Btu/h	kW	Btu/h	kW	Minimum	Rated	Maximum		
24	13,800	4.04	23,000	6.74	25,300	7.42	952	1,475	1,770	15.6	20.5
25	14,375	4.21	23,958	7.02	26,354	7.72	1,018	1,578	1,894	15.2	20.4
26	14,950	4.38	24,917	7.30	27,408	8.03	1,085	1,682	2,018	14.8	20.3
27	15,525	4.55	25,875	7.58	28,463	8.34	1,152	1,785	2,142	14.5	20.3
28	16,100	4.72	26,833	7.86	29,517	8.65	1,218	1,889	2,266	14.2	20.2
29	16,675	4.89	27,792	8.15	30,571	8.96	1,285	1,992	2,391	14.0	20.1
30	17,250	5.06	28,750	8.43	31,625	9.27	1,352	2,096	2,515	13.7	20.0
31	17,825	5.22	29,708	8.71	32,679	9.58	1,419	2,199	2,639	13.5	19.9
32	18,400	5.39	30,667	8.99	33,733	9.89	1,485	2,302	2,763	13.3	19.8
33	18,975	5.56	31,625	9.27	34,788	10.20	1,552	2,406	2,887	13.1	19.8
34	19,550	5.73	32,583	9.55	35,842	10.50	1,619	2,509	3,011	13.0	19.7
35	20,125	5.90	33,542	9.83	36,896	10.81	1,686	2,613	3,135	12.8	19.6
36	20,700	6.07	34,500	10.11	37,950	11.12	1,752	2,716	3,259	12.7	19.5
37	21,275	6.24	35,458	10.39	39,004	11.43	1,819	2,819	3,383	12.6	19.4
38	21,850	6.40	36,417	10.67	40,058	11.74	1,886	2,923	3,507	12.5	19.3
39	22,425	6.57	37,375	10.95	41,113	12.05	1,952	3,026	3,632	12.4	19.3
40	23,000	6.74	38,333	11.23	42,167	12.36	2,019	3,130	3,756	12.2	19.2
41	23,575	6.91	39,292	11.52	43,221	12.67	2,086	3,233	3,880	12.2	19.1
42	24,150	7.08	40,250	11.80	44,275	12.98	2,153	3,337	4,004	12.1	19.0
43	24,725	7.25	41,208	12.08	45,329	13.29	2,219	3,440	4,128	12.0	18.9
44	25,300	7.42	42,167	12.36	46,383	13.59	2,286	3,543	4,252	11.9	18.8
45	25,875	7.58	43,125	12.64	47,438	13.90	2,353	3,647	4,376	11.8	18.8
46	26,450	7.75	44,083	12.92	48,492	14.21	2,419	3,750	4,500	11.8	18.7
47	27,025	7.92	45,042	13.20	49,546	14.52	2,486	3,854	4,624	11.7	18.6
48	27,600	8.09	46,000	13.48	50,600	14.83	2,553	3,957	4,748	11.6	18.5
49	27,760	8.14	46,266	13.56	50,893	14.92	2,589	4,013	4,815	11.5	18.3
50	27,920	8.18	46,533	13.64	51,186	15.00	2,625	4,069	4,882	11.4	18.2
51	28,080	8.23	46,799	13.72	51,479	15.09	2,661	4,124	4,949	11.3	18.1
52	28,240	8.28	47,066	13.79	51,773	15.17	2,697	4,180	5,016	11.3	17.9
53	28,399	8.32	47,332	13.87	52,066	15.26	2,733	4,236	5,083	11.2	17.8
54	28,559	8.37	47,599	13.95	52,359	15.35	2,769	4,292	5,150	11.1	17.7
55	28,719	8.42	47,865	14.03	52,652	15.43	2,805	4,347	5,217	11.0	17.5
56	28,879	8.46	48,132	14.11	52,945	15.52	2,841	4,403	5,284	10.9	17.4
57	29,039	8.51	48,398	14.18	53,238	15.60	2,877	4,459	5,351	10.9	17.3
58	29,199	8.56	48,665	14.26	53,531	15.69	2,913	4,515	5,418	10.8	17.2
59	29,359	8.60	48,931	14.34	53,825	15.78	2,949	4,570	5,485	10.7	17.0
60	29,519	8.65	49,198	14.42	54,118	15.86	2,985	4,626	5,551	10.6	16.9
61	29,679	8.70	49,464	14.50	54,411	15.95	3,021	4,682	5,618	10.6	16.8
62	29,839	8.75	49,731	14.58	54,704	16.03	3,057	4,738	5,685	10.5	16.7
63	29,998	8.79	49,997	14.65	54,997	16.12	3,093	4,793	5,752	10.4	16.6
64	30,158	8.84	50,264	14.73	55,290	16.20	3,129	4,849	5,819	10.4	16.5
65	30,318	8.89	50,530	14.81	55,583	16.29	3,165	4,905	5,886	10.3	16.4

Note:

1. Capacity as rated 0 ft. above sea level with piping length as main pipe (16.4 ft.) + branch pipe (98.4 ft.) = 115 ft.  
0 ft. level difference between outdoor and indoor units.

2. Cooling capacity rating obtained with air entering the indoor unit at 80°F dry bulb (DB) and 67°F wet bulb (WB), and outdoor ambient conditions of 95°F dry bulb (DB) and 75°F wet bulb (WB).

3. Wiring cable size must comply with the applicable local and national codes.

4. The specification may be subject to change without prior notice for purpose of improvement.

5. Sum of connected indoor units' capacity is 24-65 kBtu/h.

6. At least two indoor units must be connected.

7. Combination tables with calculated SEER and HSPF are outside the scope of AHRI 1230 test standard.

**FOR PROPER SYSTEM OPERATION:**

1. At least two operable indoor units must be connected to the outdoor unit.
2. Total connected indoor unit nominal capacity must be a minimum 40% and a maximum of 133% of outdoor unit nominal capacity.
3. To calculate the connected total indoor unit nominal capacity, simply sum up the nominal capacities of all indoor units.
  - For high static duct and vertical-horizontal air handling indoor units, a 1.3 multiplier must first be applied before adding to the sum of other smaller indoor unit types.
  - When high static duct and/or vertical-horizontal air handling indoor units are the **only** connected indoor units, the multiplier is 1.2.

# COMBINATION TABLES

## LMU480HV

Table 38: LMU480HV with Non-Ducted Indoor Units — Rated Heating Combination Table.

Total Indoor Unit Capacity (kBtu/h)	Heating Capacity									COP	HSPF
	Minimum		Rated		Maximum		Input (W)				
	Btu/h	kW	Btu/h	kW	Btu/h	kW	Minimum	Rated	Maximum		
24	15,840	4.64	26,400	7.74	27,720	8.12	1,419	2,200	2,640	3.5	11.0
25	16,500	4.84	27,500	8.06	28,875	8.46	1,476	2,288	2,746	3.5	11.0
26	17,160	5.03	28,600	8.38	30,030	8.80	1,533	2,377	2,852	3.5	10.9
27	17,820	5.22	29,700	8.70	31,185	9.14	1,590	2,465	2,958	3.5	10.9
28	18,480	5.42	30,800	9.03	32,340	9.48	1,647	2,553	3,064	3.5	10.8
29	19,140	5.61	31,900	9.35	33,495	9.82	1,704	2,642	3,170	3.5	10.8
30	19,800	5.80	33,000	9.67	34,650	10.16	1,761	2,730	3,276	3.5	10.8
31	20,460	6.00	34,100	9.99	35,805	10.49	1,818	2,818	3,382	3.5	10.7
32	21,120	6.19	35,200	10.32	36,960	10.83	1,875	2,907	3,488	3.5	10.7
33	21,780	6.38	36,300	10.64	38,115	11.17	1,932	2,995	3,594	3.6	10.6
34	22,440	6.58	37,400	10.96	39,270	11.51	1,989	3,083	3,700	3.6	10.6
35	23,100	6.77	38,500	11.28	40,425	11.85	2,046	3,172	3,806	3.6	10.5
36	23,760	6.96	39,600	11.61	41,580	12.19	2,103	3,260	3,912	3.6	10.5
37	24,420	7.16	40,700	11.93	42,735	12.52	2,160	3,348	4,018	3.6	10.5
38	25,080	7.35	41,800	12.25	43,890	12.86	2,217	3,437	4,124	3.6	10.4
39	25,740	7.54	42,900	12.57	45,045	13.20	2,274	3,525	4,230	3.6	10.4
40	26,400	7.74	44,000	12.90	46,200	13.54	2,331	3,613	4,336	3.6	10.3
41	27,060	7.93	45,100	13.22	47,355	13.88	2,388	3,702	4,442	3.6	10.3
42	27,720	8.12	46,200	13.54	48,510	14.22	2,445	3,790	4,548	3.6	10.3
43	28,380	8.32	47,300	13.86	49,665	14.56	2,502	3,878	4,654	3.6	10.2
44	29,040	8.51	48,400	14.19	50,820	14.89	2,559	3,967	4,760	3.6	10.2
45	29,700	8.70	49,500	14.51	51,975	15.23	2,616	4,055	4,866	3.6	10.1
46	30,360	8.90	50,600	14.83	53,130	15.57	2,673	4,143	4,972	3.6	10.1
47	31,020	9.09	51,700	15.15	54,285	15.91	2,730	4,232	5,078	3.6	10.0
48	32,400	9.50	54,000	15.83	56,700	16.62	2,787	4,320	5,184	3.7	10.0
49	32,588	9.55	54,313	15.92	56,953	16.69	2,819	4,369	5,233	3.6	10.0
50	32,775	9.61	54,626	16.01	57,206	16.77	2,850	4,418	5,282	3.6	9.9
51	32,963	9.66	54,939	16.10	57,459	16.84	2,882	4,466	5,332	3.6	9.8
52	33,151	9.72	55,251	16.19	57,712	16.91	2,913	4,515	5,381	3.6	9.8
53	33,339	9.77	55,564	16.28	57,965	16.99	2,945	4,564	5,430	3.6	9.7
54	33,526	9.83	55,877	16.38	58,218	17.06	2,976	4,613	5,479	3.6	9.7
55	33,714	9.88	56,190	16.47	58,471	17.14	3,008	4,662	5,528	3.5	9.7
56	33,902	9.94	56,503	16.56	58,724	17.21	3,039	4,711	5,577	3.5	9.6
57	34,089	9.99	56,816	16.65	58,976	17.29	3,071	4,759	5,627	3.5	9.6
58	34,277	10.05	57,128	16.74	59,229	17.36	3,102	4,808	5,676	3.5	9.5
59	34,465	10.10	57,441	16.84	59,482	17.43	3,134	4,857	5,725	3.5	9.5
60	34,652	10.16	57,754	16.93	59,735	17.51	3,165	4,906	5,774	3.5	9.4
61	34,840	10.21	58,067	17.02	59,988	17.58	3,197	4,955	5,823	3.4	9.4
62	35,028	10.27	58,380	17.11	60,241	17.66	3,228	5,004	5,872	3.4	9.3
63	35,216	10.32	58,693	17.20	60,494	17.73	3,260	5,052	5,922	3.4	9.3
64	35,403	10.38	59,005	17.29	60,747	17.80	3,291	5,101	5,971	3.4	9.3
65	35,591	10.43	59,318	17.39	61,000	17.88	3,323	5,150	6,020	3.4	9.2

Note:

1. Capacity as rated: 0 ft. above sea level with piping length as main pipe (16.4 ft.) + branch pipe (98.4 ft.) = 115 ft.  
0 ft. level difference between outdoor and indoor units.
2. Heating capacity rating obtained with air entering the indoor unit at 70°F dry bulb (DB) and 60°F wet bulb (WB), and outdoor ambient conditions of 47°F dry bulb (DB) and 43°F wet bulb (WB).
3. Wiring cable size must comply with the applicable local and national codes.
4. The specification may be subject to change without prior notice for purpose of improvement.
5. Sum of connected indoor units' capacity is 24-65 kBtu/h.
6. At least two indoor units must be connected.
7. Combination tables with calculated SEER and HSPF are outside the scope of AHRI 1230 test standard.

# COMBINATION TABLES

## LMU480HV

Table 39: LMU480HV with Ducted Indoor Units — Rated Heating Combination Table.

Total Indoor Unit Capacity (kBtu/h)	Heating Capacity										COP	HSPF
	Minimum		Rated		Maximum		Input (W)					
	Btu/h	kW	Btu/h	kW	Btu/h	kW	Minimum	Rated	Maximum			
24	14,667	4.30	24,444	7.16	25,667	7.52	1,379	2,138	2,566	3.4	10.7	
25	15,278	4.48	25,463	7.46	26,736	7.84	1,443	2,237	2,684	3.3	10.6	
26	15,889	4.66	26,481	7.76	27,806	8.15	1,507	2,335	2,802	3.3	10.6	
27	16,500	4.84	27,500	8.06	28,875	8.46	1,570	2,434	2,921	3.3	10.5	
28	17,111	5.01	28,519	8.36	29,944	8.78	1,634	2,532	3,039	3.3	10.5	
29	17,722	5.19	29,537	8.66	31,014	9.09	1,697	2,631	3,157	3.3	10.5	
30	18,333	5.37	30,556	8.96	32,083	9.40	1,761	2,730	3,275	3.3	10.4	
31	18,944	5.55	31,574	9.25	33,153	9.72	1,825	2,828	3,394	3.3	10.4	
32	19,556	5.73	32,593	9.55	34,222	10.03	1,888	2,927	3,512	3.3	10.3	
33	20,167	5.91	33,611	9.85	35,292	10.34	1,952	3,025	3,630	3.3	10.3	
34	20,778	6.09	34,630	10.15	36,361	10.66	2,015	3,124	3,749	3.2	10.3	
35	21,389	6.27	35,648	10.45	37,431	10.97	2,079	3,222	3,867	3.2	10.2	
36	22,000	6.45	36,667	10.75	38,500	11.28	2,143	3,321	3,985	3.2	10.2	
37	22,611	6.63	37,685	11.04	39,569	11.60	2,206	3,420	4,104	3.2	10.1	
38	23,222	6.81	38,704	11.34	40,639	11.91	2,270	3,518	4,222	3.2	10.1	
39	23,833	6.99	39,722	11.64	41,708	12.22	2,333	3,617	4,340	3.2	10.1	
40	24,444	7.16	40,741	11.94	42,778	12.54	2,397	3,715	4,458	3.2	10.0	
41	25,056	7.34	41,759	12.24	43,847	12.85	2,461	3,814	4,577	3.2	10.0	
42	25,667	7.52	42,778	12.54	44,917	13.16	2,524	3,913	4,695	3.2	9.9	
43	26,278	7.70	43,796	12.84	45,986	13.48	2,588	4,011	4,813	3.2	9.9	
44	26,889	7.88	44,815	13.13	47,056	13.79	2,651	4,110	4,932	3.2	9.9	
45	27,500	8.06	45,833	13.43	48,125	14.10	2,715	4,208	5,050	3.2	9.8	
46	28,111	8.24	46,852	13.73	49,194	14.42	2,779	4,307	5,168	3.2	9.8	
47	28,722	8.42	47,870	14.03	50,264	14.73	2,842	4,405	5,287	3.2	9.7	
48	30,000	8.79	50,000	14.65	52,500	15.39	2,906	4,504	5,405	3.3	9.7	
49	30,174	8.84	50,290	14.74	52,804	15.48	2,939	4,555	5,450	3.2	9.7	
50	30,348	8.89	50,579	14.82	53,108	15.57	2,971	4,606	5,496	3.2	9.7	
51	30,521	8.95	50,869	14.91	53,412	15.65	3,004	4,657	5,542	3.2	9.6	
52	30,695	9.00	51,159	14.99	53,717	15.74	3,037	4,708	5,587	3.2	9.6	
53	30,869	9.05	51,448	15.08	54,021	15.83	3,070	4,759	5,633	3.2	9.5	
54	31,043	9.10	51,738	15.16	54,325	15.92	3,103	4,809	5,678	3.2	9.5	
55	31,217	9.15	52,028	15.25	54,629	16.01	3,136	4,860	5,724	3.1	9.5	
56	31,390	9.20	52,317	15.33	54,933	16.10	3,169	4,911	5,770	3.1	9.4	
57	31,564	9.25	52,607	15.42	55,237	16.19	3,201	4,962	5,815	3.1	9.4	
58	31,738	9.30	52,897	15.50	55,541	16.28	3,234	5,013	5,861	3.1	9.3	
59	31,912	9.35	53,186	15.59	55,846	16.37	3,267	5,064	5,906	3.1	9.3	
60	32,086	9.40	53,476	15.67	56,150	16.46	3,300	5,115	5,952	3.1	9.2	
61	32,259	9.45	53,766	15.76	56,454	16.55	3,333	5,166	5,998	3.1	9.2	
62	32,433	9.51	54,055	15.84	56,758	16.63	3,366	5,217	6,043	3.0	9.1	
63	32,607	9.56	54,345	15.93	57,062	16.72	3,398	5,268	6,089	3.0	9.1	
64	32,781	9.61	54,635	16.01	57,366	16.81	3,431	5,318	6,134	3.0	9.1	
65	32,955	9.66	54,924	16.10	57,670	16.90	3,464	5,369	6,180	3.0	9.0	

Note:

- Capacity as rated: 0 ft. above sea level with piping length as main pipe (16.4 ft.) + branch pipe (98.4 ft.) = 115 ft.  
0 ft. level difference between outdoor and indoor units.
- Heating capacity rating obtained with air entering the indoor unit at 70°F dry bulb (DB) and 60°F wet bulb (WB), and outdoor ambient conditions of 47°F dry bulb (DB) and 43°F wet bulb (WB).
- Wiring cable size must comply with the applicable local and national codes.

- The specification may be subject to change without prior notice for purpose of improvement.
- Sum of connected indoor units' capacity is 24-65 kBtu/h.
- At least two indoor units must be connected.
- Combination tables with calculated SEER and HSPF are outside the scope of AHRI 1230 test standard.



**FOR PROPER SYSTEM OPERATION:**

1. At least two operable indoor units must be connected to the outdoor unit.
2. Total connected indoor unit nominal capacity must be a minimum 40% and a maximum of 133% of outdoor unit nominal capacity.
3. To calculate the connected total indoor unit nominal capacity, simply sum up the nominal capacities of all indoor units.
  - For high static duct and vertical-horizontal air handling indoor units, a 1.3 multiplier must first be applied before adding to the sum of other smaller indoor unit types.
  - When high static duct and/or vertical-horizontal air handling indoor units are the **only** connected indoor units, the multiplier is 1.2.

# COMBINATION TABLES

## LMU480HV

Table 40: LMU480HV with Mixed Indoor Units — Rated Heating Combination Table.

Total Indoor Unit Capacity (kBtu/h)	Heating Capacity									COP	HSPF
	Minimum		Rated		Maximum		Input (W)				
	Btu/h	kW	Btu/h	kW	Btu/h	kW	Minimum	Rated	Maximum		
24	15,253	4.47	25,422	7.45	26,693	7.82	1,399	2,169	2,603	3.4	10.8
25	15,889	4.66	26,481	7.76	27,806	8.15	1,460	2,262	2,715	3.4	10.8
26	16,524	4.84	27,541	8.07	28,918	8.48	1,520	2,356	2,827	3.4	10.8
27	17,160	5.03	28,600	8.38	30,030	8.80	1,580	2,449	2,939	3.4	10.7
28	17,796	5.22	29,659	8.69	31,142	9.13	1,641	2,543	3,051	3.4	10.7
29	18,431	5.40	30,719	9.00	32,254	9.45	1,701	2,636	3,164	3.4	10.6
30	19,067	5.59	31,778	9.31	33,367	9.78	1,761	2,730	3,276	3.4	10.6
31	19,702	5.77	32,837	9.62	34,479	10.11	1,821	2,823	3,388	3.4	10.5
32	20,338	5.96	33,896	9.93	35,591	10.43	1,882	2,917	3,500	3.4	10.5
33	20,973	6.15	34,956	10.24	36,703	10.76	1,942	3,010	3,612	3.4	10.5
34	21,609	6.33	36,015	10.56	37,816	11.08	2,002	3,104	3,724	3.4	10.4
35	22,244	6.52	37,074	10.87	38,928	11.41	2,063	3,197	3,836	3.4	10.4
36	22,880	6.71	38,133	11.18	40,040	11.74	2,123	3,291	3,949	3.4	10.3
37	23,516	6.89	39,193	11.49	41,152	12.06	2,183	3,384	4,061	3.4	10.3
38	24,151	7.08	40,252	11.80	42,264	12.39	2,243	3,477	4,173	3.4	10.3
39	24,787	7.26	41,311	12.11	43,377	12.71	2,304	3,571	4,285	3.4	10.2
40	25,422	7.45	42,370	12.42	44,489	13.04	2,364	3,664	4,397	3.4	10.2
41	26,058	7.64	43,430	12.73	45,601	13.36	2,424	3,758	4,509	3.4	10.1
42	26,693	7.82	44,489	13.04	46,713	13.69	2,485	3,851	4,622	3.4	10.1
43	27,329	8.01	45,548	13.35	47,826	14.02	2,545	3,945	4,734	3.4	10.1
44	27,964	8.20	46,607	13.66	48,938	14.34	2,605	4,038	4,846	3.4	10.0
45	28,600	8.38	47,667	13.97	50,050	14.67	2,666	4,132	4,958	3.4	10.0
46	29,236	8.57	48,726	14.28	51,162	14.99	2,726	4,225	5,070	3.4	9.9
47	29,871	8.75	49,785	14.59	52,274	15.32	2,786	4,319	5,182	3.4	9.9
48	31,200	9.14	52,000	15.24	54,600	16.00	2,846	4,412	5,294	3.5	9.9
49	31,381	9.20	52,301	15.33	54,879	16.08	2,879	4,462	5,342	3.4	9.9
50	31,561	9.25	52,602	15.42	55,157	16.17	2,911	4,512	5,389	3.4	9.8
51	31,742	9.30	52,904	15.51	55,436	16.25	2,943	4,562	5,437	3.4	9.7
52	31,923	9.36	53,205	15.59	55,714	16.33	2,975	4,611	5,484	3.4	9.7
53	32,104	9.41	53,506	15.68	55,993	16.41	3,007	4,661	5,531	3.4	9.6
54	32,284	9.46	53,807	15.77	56,271	16.49	3,039	4,711	5,579	3.3	9.6
55	32,465	9.52	54,109	15.86	56,550	16.57	3,072	4,761	5,626	3.3	9.6
56	32,646	9.57	54,410	15.95	56,828	16.66	3,104	4,811	5,674	3.3	9.5
57	32,827	9.62	54,711	16.03	57,107	16.74	3,136	4,861	5,721	3.3	9.5
58	33,007	9.67	55,012	16.12	57,385	16.82	3,168	4,911	5,768	3.3	9.4
59	33,188	9.73	55,314	16.21	57,664	16.90	3,200	4,960	5,816	3.3	9.4
60	33,369	9.78	55,615	16.30	57,943	16.98	3,232	5,010	5,863	3.3	9.3
61	33,550	9.83	55,916	16.39	58,221	17.06	3,265	5,060	5,910	3.2	9.3
62	33,730	9.89	56,217	16.48	58,500	17.15	3,297	5,110	5,958	3.2	9.2
63	33,911	9.94	56,519	16.56	58,778	17.23	3,329	5,160	6,005	3.2	9.2
64	34,092	9.99	56,820	16.65	59,057	17.31	3,361	5,210	6,053	3.2	9.2
65	34,273	10.04	57,121	16.74	59,335	17.39	3,393	5,260	6,100	3.2	9.1

Note:

1. Capacity as rated: 0 ft. above sea level with piping length as main pipe (16.4 ft.) + branch pipe (98.4 ft.) = 115 ft. 0 ft. level difference between outdoor and indoor units.
2. Heating capacity rating obtained with air entering the indoor unit at 70°F dry bulb (DB) and 60°F wet bulb (WB), and outdoor ambient conditions of 47°F dry bulb (DB) and 43°F wet bulb (WB).
3. Wiring cable size must comply with the applicable local and national codes.
4. The specification may be subject to change without prior notice for purpose of improvement.
5. Sum of connected indoor units' capacity is 24-65 kBtu/h.
6. At least two indoor units must be connected.
7. Combination tables with calculated SEER and HSPF are outside the scope of AHRI 1230 test standard.

# COMBINATION TABLES

## LMU540HV

The individual indoor unit capacity can be calculated based on the outdoor unit rated capacity as follows.<sup>1</sup>

$$\text{Individual Indoor Unit Combination Capacity (Qidu [Combi])} = \frac{\text{Outdoor Unit Rated Capacity (Qodu [Rated])} \times \text{Individual Indoor Unit Rated Capacity (Qidu [Rated])}{\text{Total Connected Indoor Unit Rated Capacity } (\sum \text{Qidu [Rated]})}$$

<sup>1</sup>To calculate the individual IDU capacity based on ODU corrected capacity, replace (Qodu [Rated]) with (Qodu [Corrected]) where (Qodu [Corrected]) is obtained from the capacity tables referencing design conditions.

Table 41: LMU540HV with Non-Ducted Indoor Units — Rated Cooling Combination Table.

Total Indoor Unit Capacity (kBtu/h)	Cooling Capacity									EER	SEER
	Minimum		Rated		Maximum		Input (W)				
	Btu/h	kW	Btu/h	kW	Btu/h	kW	Minimum	Rated	Maximum		
24	14,000	4.10	23,333	6.84	25,813	7.57	1,000	1,550	2,336	15.10	19.6
25	14,583	4.27	24,306	7.12	26,889	7.88	1,168	1,668	2,433	14.60	19.5
26	15,167	4.45	25,278	7.41	27,964	8.20	1,251	1,786	2,530	14.10	19.5
27	15,750	4.62	26,250	7.69	29,040	8.51	1,333	1,905	2,628	13.80	19.4
28	16,333	4.79	27,222	7.98	30,116	8.83	1,517	2,023	2,725	13.50	19.4
29	16,917	4.96	28,194	8.26	31,191	9.14	1,606	2,141	2,822	13.20	19.4
30	17,500	5.13	29,167	8.55	32,267	9.46	1,695	2,259	2,919	12.90	19.3
31	18,083	5.30	30,139	8.83	33,342	9.77	1,855	2,378	3,017	12.70	19.3
32	18,667	5.47	31,111	9.12	34,418	10.09	1,947	2,496	3,114	12.50	19.3
33	19,250	5.64	32,083	9.40	35,493	10.40	2,039	2,614	3,211	12.30	19.2
34	19,833	5.81	33,056	9.69	36,569	10.72	2,131	2,732	3,309	12.10	19.2
35	20,417	5.98	34,028	9.97	37,644	11.03	2,280	2,851	3,406	11.90	19.1
36	21,000	6.15	35,000	10.26	38,720	11.35	2,375	2,969	3,503	11.80	19.1
37	21,583	6.33	35,972	10.54	39,796	11.66	2,470	3,087	3,601	11.70	19.1
38	22,167	6.50	36,944	10.83	40,871	11.98	2,564	3,205	3,698	11.50	19.0
39	22,750	6.67	37,917	11.11	41,947	12.29	2,659	3,324	3,795	11.40	19.0
40	23,333	6.84	38,889	11.40	43,022	12.61	2,753	3,442	3,893	11.30	18.9
41	23,917	7.01	39,861	11.68	44,098	12.92	2,848	3,560	3,990	11.20	18.9
42	24,500	7.18	40,833	11.97	45,173	13.24	2,943	3,678	4,087	11.10	18.9
43	25,083	7.35	41,806	12.25	46,249	13.55	3,037	3,796	4,185	11.00	18.8
44	25,667	7.52	42,778	12.54	47,324	13.87	3,132	3,915	4,282	10.90	18.8
45	26,250	7.69	43,750	12.82	48,400	14.19	3,226	4,033	4,379	10.80	18.7
46	26,833	7.86	44,722	13.11	49,476	14.50	3,321	4,151	4,476	10.80	18.7
47	27,417	8.04	45,694	13.39	50,551	14.82	3,415	4,269	4,574	10.70	18.7
48	28,000	8.21	46,667	13.68	51,627	15.13	3,510	4,388	4,671	10.60	18.6
49	28,583	8.38	47,639	13.96	52,702	15.45	3,605	4,506	4,768	10.60	18.6
50	29,167	8.55	48,611	14.25	53,778	15.76	3,699	4,624	4,866	10.50	18.6
51	29,750	8.72	49,583	14.53	54,853	16.08	3,794	4,742	4,963	10.50	18.5
52	30,333	8.89	50,556	14.82	55,929	16.39	3,888	4,861	5,060	10.40	18.5
53	30,917	9.06	51,528	15.10	57,004	16.71	3,983	4,979	5,158	10.30	18.4
54	31,500	9.23	52,500	15.39	58,080	17.02	4,078	5,097	5,255	10.30	18.4
55	31,892	9.35	52,666	15.44	58,349	17.10	4,102	5,128	5,287	10.30	18.3
56	32,285	9.46	52,832	15.48	58,619	17.18	4,127	5,159	5,319	10.20	18.2
57	32,677	9.58	52,997	15.53	58,888	17.26	4,152	5,190	5,351	10.20	18.1
58	33,069	9.69	53,163	15.58	59,158	17.34	4,176	5,221	5,382	10.20	18.0
59	33,462	9.81	53,329	15.63	59,427	17.42	4,201	5,252	5,414	10.20	17.9
60	33,854	9.92	53,495	15.68	59,697	17.50	4,226	5,282	5,446	10.10	17.8
61	34,247	10.04	53,661	15.73	59,966	17.58	4,251	5,313	5,478	10.10	17.7
62	34,639	10.15	53,826	15.78	60,236	17.65	4,275	5,344	5,510	10.10	17.6
63	35,031	10.27	53,992	15.82	60,505	17.73	4,300	5,375	5,542	10.00	17.5
64	35,424	10.38	54,158	15.87	60,775	17.81	4,325	5,406	5,573	10.00	17.4
65	35,816	10.50	54,324	15.92	61,044	17.89	4,350	5,437	5,605	10.00	17.3
66	36,208	10.61	54,489	15.97	61,314	17.97	4,374	5,468	5,637	10.00	17.2
67	36,601	10.73	54,655	16.02	61,583	18.05	4,399	5,499	5,669	9.90	17.1
68	36,993	10.84	54,821	16.07	61,853	18.13	4,424	5,530	5,701	9.90	17.0
69	37,386	10.96	54,987	16.12	62,122	18.21	4,448	5,561	5,733	9.90	16.9
70	37,778	11.07	55,153	16.16	62,392	18.29	4,473	5,591	5,764	9.90	16.9
71	38,170	11.19	55,318	16.21	62,661	18.36	4,498	5,622	5,796	9.80	16.8
72	38,563	11.30	55,484	16.26	62,931	18.44	4,523	5,653	5,828	9.80	16.7
73	38,955	11.42	55,650	16.31	63,200	18.52	4,547	5,684	5,860	9.80	16.6

Note:

- Capacity as rated. 0 ft. above sea level with piping length as main pipe (16.4 ft.) + branch pipe (98.4 ft.) – 115 ft. 0 ft. level difference between outdoor and indoor units.
- Cooling capacity rating obtained with air entering the indoor unit at 80°F dry bulb (DB) and 67°F wet bulb (WB), and outdoor ambient conditions of 95°F dry bulb (DB) and 75°F wet bulb (WB).
- Wiring cable size must comply with the applicable local and national codes.

- The specification may be subject to change without prior notice for purpose of improvement.
- Sum of connected indoor units' capacity is 24-73 kBtu/h.
- At least two indoor units must be connected.
- Combination tables with calculated SEER and HSPF are outside the scope of AHRI 1230 test standard.

**FOR PROPER SYSTEM OPERATION:**

1. At least two operable indoor units must be connected to the outdoor unit.
2. Total connected indoor unit nominal capacity must be a minimum 40% and a maximum of 133% of outdoor unit nominal capacity.
3. To calculate the connected total indoor unit nominal capacity, simply sum up the nominal capacities of all indoor units.
  - For high static duct and vertical-horizontal air handling indoor units, a 1.3 multiplier must first be applied before adding to the sum of other smaller indoor unit types.
  - When high static duct and/or vertical-horizontal air handling indoor units are the **only** connected indoor units, the multiplier is 1.2.

# COMBINATION TABLES

## LMU540HV

Table 42: LMU540HV with Ducted Indoor Units – Rated Cooling Combination Table.

Total Indoor Unit Capacity (kBtu/h)	Cooling Capacity									EER	SEER
	Minimum		Rated		Maximum		Input (W)				
	Btu/h	kW	Btu/h	kW	Btu/h	kW	Minimum	Rated	Maximum		
24	13,989	4.10	23,314	6.83	25,646	7.52	1,000	1,550	2,337	15.0	18.3
25	14,571	4.27	24,286	7.12	26,714	7.83	1,076	1,668	2,434	14.6	18.2
26	15,154	4.44	25,257	7.40	27,783	8.14	1,153	1,787	2,532	14.1	18.1
27	15,737	4.61	26,229	7.69	28,851	8.46	1,229	1,905	2,629	13.8	18.1
28	16,320	4.78	27,200	7.97	29,920	8.77	1,305	2,023	2,726	13.4	18.0
29	16,903	4.95	28,171	8.26	30,989	9.08	1,382	2,142	2,824	13.2	17.9
30	17,486	5.12	29,143	8.54	32,057	9.40	1,458	2,260	2,921	12.9	17.8
31	18,069	5.30	30,114	8.83	33,126	9.71	1,534	2,378	3,019	12.7	17.7
32	18,651	5.47	31,086	9.11	34,194	10.02	1,611	2,497	3,116	12.5	17.6
33	19,234	5.64	32,057	9.40	35,263	10.33	1,687	2,615	3,213	12.3	17.6
34	19,817	5.81	33,029	9.68	36,331	10.65	1,763	2,733	3,311	12.1	17.5
35	20,400	5.98	34,000	9.96	37,400	10.96	1,840	2,852	3,408	11.9	17.4
36	20,983	6.15	34,971	10.25	38,469	11.27	1,916	2,970	3,505	11.8	17.3
37	21,566	6.32	35,943	10.53	39,537	11.59	1,992	3,088	3,603	11.6	17.2
38	22,149	6.49	36,914	10.82	40,606	11.90	2,069	3,207	3,700	11.5	17.1
39	22,731	6.66	37,886	11.10	41,674	12.21	2,145	3,325	3,798	11.4	17.1
40	23,314	6.83	38,857	11.39	42,743	12.53	2,222	3,443	3,895	11.3	17.0
41	23,897	7.00	39,829	11.67	43,811	12.84	2,298	3,562	3,992	11.2	16.9
42	24,480	7.17	40,800	11.96	44,880	13.15	2,374	3,680	4,090	11.1	16.8
43	25,063	7.35	41,771	12.24	45,949	13.47	2,451	3,798	4,187	11.0	16.7
44	25,646	7.52	42,743	12.53	47,017	13.78	2,527	3,917	4,284	10.9	16.6
45	26,229	7.69	43,714	12.81	48,086	14.09	2,603	4,035	4,382	10.8	16.6
46	26,811	7.86	44,686	13.10	49,154	14.41	2,680	4,153	4,479	10.8	16.5
47	27,394	8.03	45,657	13.38	50,223	14.72	2,756	4,272	4,576	10.7	16.4
48	27,977	8.20	46,629	13.67	51,291	15.03	2,832	4,390	4,674	10.6	16.3
49	28,560	8.37	47,600	13.95	52,360	15.35	2,909	4,508	4,771	10.6	16.2
50	29,143	8.54	48,571	14.24	53,429	15.66	2,985	4,627	4,869	10.5	16.1
51	29,726	8.71	49,543	14.52	54,497	15.97	3,061	4,745	4,966	10.4	16.1
52	30,309	8.88	50,514	14.80	55,566	16.29	3,138	4,863	5,063	10.4	16.0
53	30,892	9.05	51,486	15.09	56,635	16.60	3,214	4,982	5,161	10.2	15.9
54	31,475	9.22	52,457	15.37	57,704	16.91	3,290	5,100	5,258	10.0	15.8
55	32,058	9.39	53,429	15.66	58,773	17.22	3,366	5,219	5,356	9.9	15.8
56	32,641	9.56	54,400	15.94	59,842	17.53	3,442	5,337	5,454	9.9	15.8
57	33,224	9.73	55,371	16.23	60,911	17.84	3,518	5,456	5,552	9.9	15.8
58	33,807	9.90	56,343	16.51	61,980	18.15	3,594	5,575	5,650	9.9	15.8
59	34,390	10.07	57,314	16.80	63,049	18.46	3,670	5,694	5,748	9.9	15.8
60	34,973	10.24	58,286	17.08	64,118	18.77	3,746	5,813	5,846	9.8	15.8
61	35,556	10.41	59,257	17.37	65,187	19.08	3,822	5,932	5,944	9.8	15.8
62	36,139	10.58	60,229	17.65	66,256	19.39	3,898	6,051	6,042	9.8	15.8
63	36,722	10.75	61,200	17.94	67,325	19.70	3,974	6,170	6,140	9.8	15.8
64	37,305	10.92	62,171	18.22	68,394	20.01	4,050	6,289	6,238	9.7	15.8
65	37,888	11.09	63,143	18.51	69,463	20.32	4,126	6,408	6,336	9.7	15.8
66	38,471	11.26	64,114	18.80	70,532	20.63	4,202	6,527	6,434	9.7	15.8
67	39,054	11.43	65,086	19.08	71,601	20.94	4,278	6,646	6,532	9.7	15.8
68	39,637	11.60	66,057	19.37	72,670	21.25	4,354	6,765	6,630	9.7	15.8
69	40,220	11.77	67,029	19.65	73,739	21.56	4,430	6,884	6,728	9.7	15.8
70	40,803	11.94	68,000	19.94	74,808	21.87	4,506	7,003	6,826	9.7	15.8
71	41,386	12.11	68,971	20.22	75,877	22.18	4,582	7,122	6,924	9.7	15.8
72	41,969	12.28	69,943	20.51	76,946	22.49	4,658	7,241	7,022	9.6	15.8
73	42,552	12.45	70,914	20.80	78,015	22.80	4,734	7,360	7,120	9.5	15.8

Note:

1. Capacity as rated: 0 ft. above sea level with piping length as main pipe (16.4 ft.) + branch pipe (98.4 ft.) = 115 ft.  
0 ft. level difference between outdoor and indoor units.
2. Cooling capacity rating obtained with air entering the indoor unit at 80°F dry bulb (DB) and 67°F wet bulb (WB), and outdoor ambient conditions of 95°F dry bulb (DB) and 75°F wet bulb (WB).
3. Wiring cable size must comply with the applicable local and national codes.
4. The specification may be subject to change without prior notice for purpose of improvement.
5. Sum of connected indoor units' capacity is 24-73 kBtu/h.
6. At least two indoor units must be connected.
7. Combination tables with calculated SEER and HSPF are outside the scope of AHRI 1230 test standard.

# COMBINATION TABLES

## LMU540HV

Table 43: LMU540HV with Non-Ducted Indoor Units — Rated Heating Combination Table.

Total Indoor Unit Capacity (kBtu/h)	Cooling Capacity									EER	SEER
	Minimum		Rated		Maximum		Input (W)				
	Btu/h	kW	Btu/h	kW	Btu/h	kW	Minimum	Rated	Maximum		
24	14,194	4.16	23,657	6.93	26,023	7.63	1,000	1,550	2,337	15.3	19.0
25	14,786	4.33	24,643	7.22	27,107	7.94	1,076	1,668	2,434	14.8	18.9
26	15,377	4.51	25,629	7.51	28,191	8.26	1,153	1,787	2,531	14.3	18.8
27	15,969	4.68	26,614	7.80	29,276	8.58	1,229	1,905	2,629	14.0	18.8
28	16,560	4.85	27,600	8.09	30,360	8.90	1,305	2,023	2,726	13.6	18.7
29	17,151	5.03	28,586	8.38	31,444	9.22	1,382	2,141	2,823	13.3	18.6
30	17,743	5.20	29,571	8.67	32,529	9.53	1,458	2,260	2,920	13.1	18.6
31	18,334	5.37	30,557	8.96	33,613	9.85	1,534	2,378	3,018	12.9	18.5
32	18,926	5.55	31,543	9.24	34,697	10.17	1,610	2,496	3,115	12.6	18.5
33	19,517	5.72	32,529	9.53	35,781	10.49	1,687	2,615	3,212	12.4	18.4
34	20,109	5.89	33,514	9.82	36,866	10.80	1,763	2,733	3,310	12.3	18.3
35	20,700	6.07	34,500	10.11	37,950	11.12	1,839	2,851	3,407	12.1	18.3
36	21,291	6.24	35,486	10.40	39,034	11.44	1,916	2,969	3,504	12.0	18.2
37	21,883	6.41	36,471	10.69	40,119	11.76	1,992	3,088	3,602	11.8	18.1
38	22,474	6.59	37,457	10.98	41,203	12.08	2,068	3,206	3,699	11.7	18.1
39	23,066	6.76	38,443	11.27	42,287	12.39	2,145	3,324	3,797	11.6	18.0
40	23,657	6.93	39,429	11.56	43,371	12.71	2,221	3,443	3,894	11.5	18.0
41	24,249	7.11	40,414	11.84	44,456	13.03	2,297	3,561	3,991	11.3	17.9
42	24,840	7.28	41,400	12.13	45,540	13.35	2,374	3,679	4,089	11.3	17.8
43	25,431	7.45	42,386	12.42	46,624	13.66	2,450	3,797	4,186	11.2	17.8
44	26,023	7.63	43,371	12.71	47,709	13.98	2,526	3,916	4,283	11.1	17.7
45	26,614	7.80	44,357	13.00	48,793	14.30	2,603	4,034	4,381	11.0	17.7
46	27,206	7.97	45,343	13.29	49,877	14.62	2,679	4,152	4,478	10.9	17.6
47	27,797	8.15	46,329	13.58	50,961	14.94	2,755	4,271	4,575	10.8	17.5
48	28,389	8.32	47,314	13.87	52,046	15.25	2,831	4,389	4,673	10.8	17.5
49	28,980	8.49	48,300	14.16	53,130	15.57	2,908	4,507	4,770	10.7	17.4
50	29,571	8.67	49,286	14.44	54,214	15.89	2,984	4,625	4,868	10.7	17.3
51	30,163	8.84	50,271	14.73	55,299	16.21	3,060	4,744	4,965	10.6	17.3
52	30,754	9.01	51,257	15.02	56,383	16.52	3,137	4,862	5,062	10.5	17.2
53	30,902	9.06	51,504	15.09	56,654	16.60	3,213	4,980	5,160	10.3	17.2
54	31,050	9.10	51,750	15.17	56,925	16.68	3,289	5,099	5,257	10.2	17.1
55	31,148	9.13	51,913	15.21	57,255	16.78	3,309	5,129	5,289	10.1	17.1
56	31,246	9.16	52,077	15.26	57,586	16.88	3,329	5,160	5,320	10.1	17.0
57	31,344	9.19	52,240	15.31	57,916	16.97	3,349	5,191	5,352	10.1	17.0
58	31,442	9.22	52,404	15.36	58,246	17.07	3,369	5,222	5,384	10.0	16.9
59	31,540	9.24	52,567	15.41	58,576	17.17	3,389	5,253	5,415	10.0	16.9
60	31,638	9.27	52,731	15.45	58,907	17.26	3,409	5,283	5,447	10.0	16.8
61	31,736	9.30	52,894	15.50	59,237	17.36	3,429	5,314	5,479	10.0	16.8
62	31,834	9.33	53,057	15.55	59,567	17.46	3,448	5,345	5,511	9.9	16.7
63	31,932	9.36	53,221	15.60	59,897	17.55	3,468	5,376	5,543	9.9	16.7
64	32,031	9.39	53,384	15.65	60,228	17.65	3,488	5,407	5,574	9.9	16.6
65	32,129	9.42	53,548	15.69	60,558	17.75	3,508	5,437	5,606	9.8	16.6
66	32,227	9.45	53,711	15.74	60,888	17.85	3,528	5,468	5,638	9.8	16.5
67	32,325	9.47	53,874	15.79	61,218	17.94	3,548	5,499	5,670	9.8	16.5
68	32,423	9.50	54,038	15.84	61,549	18.04	3,568	5,530	5,702	9.8	16.4
69	32,521	9.53	54,201	15.89	61,879	18.14	3,588	5,561	5,733	9.7	16.4
70	32,619	9.56	54,365	15.93	62,209	18.23	3,607	5,592	5,765	9.7	16.3
71	32,717	9.59	54,528	15.98	62,539	18.33	3,627	5,622	5,797	9.7	16.3
72	32,815	9.62	54,692	16.03	62,870	18.43	3,647	5,653	5,828	9.7	16.2
73	35,696	10.46	54,855	16.08	63,200	18.52	3,667	5,684	5,860	9.7	16.2

Note:

1. Capacity as rated: 0 ft. above sea level with piping length as main pipe (16.4 ft.) + branch pipe (98.4 ft.) = 115 ft.

0 ft. level difference between outdoor and indoor units.

2. Heating capacity rating obtained with air entering the indoor unit at 70°F dry bulb (DB) and 60°F wet bulb (WB), and outdoor ambient conditions of 47°F dry bulb (DB) and 43°F wet bulb (WB).

3. Wiring cable size must comply with the applicable local and national codes.

4. The specification may be subject to change without prior notice for purpose of improvement.

5. Sum of connected indoor units' capacity is 24-73 kBtu/h.

6. At least two indoor units must be connected.

7. Combination tables with calculated SEER and HSPF are outside the scope of AHRI 1230 test standard.

**FOR PROPER SYSTEM OPERATION:**

1. At least two operable indoor units must be connected to the outdoor unit.
2. Total connected indoor unit nominal capacity must be a minimum 40% and a maximum of 133% of outdoor unit nominal capacity.
3. To calculate the connected total indoor unit nominal capacity, simply sum up the nominal capacities of all indoor units.
  - For high static duct and vertical-horizontal air handling indoor units, a 1.3 multiplier must first be applied before adding to the sum of other smaller indoor unit types.
  - When high static duct and/or vertical-horizontal air handling indoor units are the **only** connected indoor units, the multiplier is 1.2.

# COMBINATION TABLES

## LMU540HV

Table 44: LMU540HV with Mixed Indoor Units — Rated Cooling Combination Table.

Total Indoor Unit Capacity (kBtu/h)	Heating Capacity									COP	HSPF
	Minimum		Rated		Maximum		Input (W)				
	Btu/h	kW	Btu/h	kW	Btu/h	kW	Minimum	Rated	Maximum		
24	16,272	4.77	27,120	7.95	28,476	8.35	1,394	2,161	2,474	3.7	10.3
25	16,950	4.97	28,250	8.28	29,663	8.69	1,464	2,269	2,578	3.6	10.2
26	17,628	5.17	29,380	8.61	30,849	9.04	1,534	2,377	2,681	3.6	10.2
27	18,306	5.37	30,510	8.94	32,036	9.39	1,603	2,485	2,784	3.6	10.1
28	18,984	5.56	31,640	9.27	33,222	9.74	1,673	2,593	2,887	3.6	10.1
29	19,662	5.76	32,770	9.60	34,409	10.08	1,742	2,701	2,990	3.6	10.0
30	20,340	5.96	33,900	9.94	35,595	10.43	1,812	2,809	3,093	3.5	10.0
31	21,018	6.16	35,030	10.27	36,782	10.78	1,882	2,917	3,196	3.5	9.9
32	21,696	6.36	36,160	10.60	37,968	11.13	1,951	3,025	3,299	3.5	9.9
33	22,374	6.56	37,290	10.93	39,155	11.48	2,021	3,133	3,402	3.5	9.8
34	23,052	6.76	38,420	11.26	40,341	11.82	2,091	3,241	3,505	3.5	9.8
35	23,730	6.95	39,550	11.59	41,528	12.17	2,160	3,349	3,609	3.5	9.7
36	24,408	7.15	40,680	11.92	42,714	12.52	2,230	3,457	3,712	3.4	9.7
37	25,086	7.35	41,810	12.25	43,901	12.87	2,300	3,565	3,815	3.4	9.6
38	25,764	7.55	42,940	12.58	45,087	13.21	2,369	3,673	3,918	3.4	9.6
39	26,442	7.75	44,070	12.92	46,274	13.56	2,439	3,781	4,021	3.4	9.5
40	27,120	7.95	45,200	13.25	47,460	13.91	2,509	3,888	4,124	3.4	9.4
41	27,798	8.15	46,330	13.58	48,647	14.26	2,578	3,996	4,227	3.4	9.4
42	28,476	8.35	47,460	13.91	49,833	14.61	2,648	4,104	4,330	3.4	9.3
43	29,154	8.54	48,590	14.24	51,020	14.95	2,718	4,212	4,433	3.4	9.3
44	29,832	8.74	49,720	14.57	52,206	15.30	2,787	4,320	4,536	3.4	9.2
45	30,510	8.94	50,850	14.90	53,393	15.65	2,857	4,428	4,640	3.4	9.2
46	31,188	9.14	51,980	15.23	54,579	16.00	2,927	4,536	4,743	3.4	9.1
47	31,866	9.34	53,110	15.57	55,766	16.34	2,996	4,644	4,846	3.4	9.1
48	32,544	9.54	54,240	15.90	56,952	16.69	3,066	4,752	4,949	3.3	9.0
49	32,920	9.65	54,867	16.08	57,610	16.88	3,136	4,860	5,052	3.3	9.0
50	33,296	9.76	55,493	16.26	58,268	17.08	3,205	4,968	5,155	3.3	8.9
51	33,672	9.87	56,120	16.45	58,926	17.27	3,275	5,076	5,258	3.2	8.9
52	34,048	9.98	56,747	16.63	59,584	17.46	3,345	5,184	5,361	3.2	8.8
53	34,424	10.09	57,373	16.82	60,242	17.66	3,414	5,292	5,464	3.2	8.8
54	34,800	10.20	58,000	17.00	60,900	17.85	3,484	5,400	5,567	3.1	8.7
55	34,910	10.23	58,183	17.05	61,063	17.90	3,504	5,432	5,600	3.1	8.7
56	35,020	10.26	58,366	17.11	61,226	17.94	3,525	5,464	5,633	3.1	8.7
57	35,130	10.30	58,549	17.16	61,389	17.99	3,545	5,495	5,666	3.1	8.7
58	35,240	10.33	58,733	17.21	61,553	18.04	3,566	5,527	5,698	3.1	8.7
59	35,349	10.36	58,916	17.27	61,716	18.09	3,586	5,559	5,731	3.1	8.7
60	35,459	10.39	59,099	17.32	61,879	18.14	3,607	5,591	5,764	3.1	8.7
61	35,569	10.42	59,282	17.37	62,042	18.18	3,627	5,623	5,797	3.1	8.7
62	35,679	10.46	59,465	17.43	62,205	18.23	3,648	5,654	5,830	3.1	8.7
63	35,789	10.49	59,648	17.48	62,368	18.28	3,668	5,686	5,862	3.1	8.7
64	35,899	10.52	59,832	17.54	62,532	18.33	3,689	5,718	5,895	3.1	8.7
65	36,009	10.55	60,015	17.59	62,695	18.37	3,709	5,750	5,928	3.1	8.7
66	36,119	11.72	60,198	17.64	62,858	18.42	3,730	5,781	5,961	3.1	8.7
67	36,229	11.85	60,381	17.70	63,021	18.47	3,750	5,813	5,993	3.0	8.7
68	36,339	11.98	60,564	17.75	63,184	18.52	3,771	5,845	6,026	3.0	8.7
69	36,448	12.10	60,747	17.80	63,347	18.57	3,792	5,877	6,059	3.0	8.7
70	36,558	12.23	60,931	17.86	63,511	18.61	3,812	5,909	6,092	3.0	8.7
71	36,668	12.36	61,114	17.91	63,674	18.66	3,833	5,940	6,124	3.0	8.7
72	36,778	12.49	61,297	17.97	63,837	18.71	3,853	5,972	6,157	3.0	8.7
73	36,888	12.61	61,480	18.02	64,000	18.76	3,874	6,004	6,190	3.0	8.7

Note:

1. Capacity as rated: 0 ft. above sea level with piping length as main pipe (16.4 ft.) + branch pipe (98.4 ft.) = 115 ft. 0 ft. level difference between outdoor and indoor units.
2. Cooling capacity rating obtained with air entering the indoor unit at 80°F dry bulb (DB) and 67°F wet bulb (WB), and outdoor ambient conditions of 95°F dry bulb (DB) and 75°F wet bulb (WB).
3. Wiring cable size must comply with the applicable local and national codes.
4. The specification may be subject to change without prior notice for purpose of improvement.
5. Sum of connected indoor units' capacity is 24–73 kBtu/h.
6. At least two indoor units must be connected.
7. Combination tables with calculated SEER and HSPF are outside the scope of AHRI 1230 test standard.

# COMBINATION TABLES

## LMU540HV

Table 45: LMU540HV with Ducted Indoor Units — Rated Heating Combination Table.

Total Indoor Unit Capacity (kBtu/h)	Heating Capacity									COP	HSPF
	Minimum		Rated		Maximum		Input (W)				
	Btu/h	kW	Btu/h	kW	Btu/h	kW	Minimum	Rated	Maximum		
24	15,909	4.66	26,514	7.77	27,840	8.16	1,490	2,310	2,557	3.4	9.8
25	16,571	4.86	27,619	8.09	29,000	8.50	1,561	2,419	2,663	3.3	9.8
26	17,234	5.05	28,724	8.42	30,160	8.84	1,631	2,528	2,770	3.3	9.7
27	17,897	5.25	29,829	8.74	31,320	9.18	1,701	2,637	2,876	3.3	9.7
28	18,560	5.44	30,933	9.07	32,480	9.52	1,772	2,746	2,983	3.3	9.6
29	19,223	5.63	32,038	9.39	33,640	9.86	1,842	2,855	3,090	3.3	9.6
30	19,886	5.83	33,143	9.71	34,800	10.20	1,912	2,964	3,196	3.3	9.5
31	20,549	6.02	34,248	10.04	35,960	10.54	1,983	3,073	3,303	3.3	9.5
32	21,211	6.22	35,352	10.36	37,120	10.88	2,053	3,182	3,409	3.3	9.4
33	21,874	6.41	36,457	10.68	38,280	11.22	2,123	3,291	3,516	3.2	9.4
34	22,537	6.61	37,562	11.01	39,440	11.56	2,194	3,400	3,622	3.2	9.3
35	23,200	6.80	38,667	11.33	40,600	11.90	2,264	3,509	3,729	3.2	9.3
36	23,863	6.99	39,771	11.66	41,760	12.24	2,334	3,618	3,835	3.2	9.2
37	24,526	7.19	40,876	11.98	42,920	12.58	2,405	3,727	3,942	3.2	9.2
38	25,189	7.38	41,981	12.30	44,080	12.92	2,475	3,836	4,048	3.2	9.1
39	25,851	7.58	43,086	12.63	45,240	13.26	2,545	3,945	4,155	3.2	9.1
40	26,514	7.77	44,190	12.95	46,400	13.60	2,615	4,054	4,261	3.2	9.0
41	27,177	7.97	45,295	13.28	47,560	13.94	2,686	4,163	4,368	3.2	9.0
42	27,840	8.16	46,400	13.60	48,720	14.28	2,756	4,272	4,475	3.2	8.9
43	28,503	8.35	47,505	13.92	49,880	14.62	2,826	4,381	4,581	3.2	8.9
44	29,166	8.55	48,610	14.25	51,040	14.96	2,897	4,490	4,688	3.2	8.8
45	29,829	8.74	49,714	14.57	52,200	15.30	2,967	4,599	4,794	3.2	8.8
46	30,491	8.94	50,819	14.89	53,360	15.64	3,037	4,708	4,901	3.2	8.7
47	31,154	9.13	51,924	15.22	54,520	15.98	3,108	4,817	5,007	3.2	8.7
48	31,817	9.33	53,029	15.54	55,680	16.32	3,178	4,926	5,114	3.2	8.6
49	32,480	9.52	54,133	15.87	56,840	16.66	3,248	5,035	5,220	3.2	8.6
50	33,143	9.71	55,238	16.19	58,000	17.00	3,319	5,144	5,327	3.1	8.5
51	33,806	9.91	56,343	16.51	59,160	17.34	3,389	5,253	5,433	3.1	8.5
52	34,469	10.10	57,448	16.84	60,320	17.68	3,459	5,362	5,540	3.1	8.4
53	34,634	10.15	57,724	16.92	60,610	17.76	3,530	5,471	5,646	3.1	8.4
54	34,800	10.20	58,000	17.00	60,900	17.85	3,600	5,580	5,753	3.0	8.3
55	34,910	10.23	58,183	17.05	61,021	17.88	3,614	5,602	5,776	3.0	8.3
56	35,020	10.26	58,366	17.11	61,142	17.92	3,629	5,625	5,799	3.0	8.3
57	35,130	10.30	58,549	17.16	61,263	17.96	3,643	5,647	5,822	3.0	8.3
58	35,240	10.33	58,733	17.21	61,384	17.99	3,658	5,669	5,845	3.0	8.3
59	35,349	10.36	58,916	17.27	61,505	18.03	3,672	5,692	5,868	3.0	8.3
60	35,459	10.39	59,099	17.32	61,626	18.06	3,686	5,714	5,891	3.0	8.3
61	35,569	10.42	59,282	17.37	61,747	18.10	3,701	5,736	5,914	3.0	8.3
62	35,679	10.46	59,465	17.43	61,868	18.13	3,715	5,759	5,937	3.0	8.3
63	35,789	10.49	59,648	17.48	61,989	18.17	3,730	5,781	5,960	3.0	8.3
64	35,899	10.52	59,832	17.54	62,111	18.20	3,744	5,803	5,983	3.0	8.3
65	36,009	10.55	60,015	17.59	62,232	18.24	3,758	5,825	6,006	3.0	8.3
66	36,119	10.59	60,198	17.64	62,353	18.27	3,773	5,848	6,029	3.0	8.3
67	36,229	10.62	60,381	17.70	62,474	18.31	3,787	5,870	6,052	3.0	8.3
68	36,339	10.65	60,564	17.75	62,595	18.35	3,802	5,892	6,075	3.0	8.3
69	36,448	10.68	60,747	17.80	62,716	18.38	3,816	5,915	6,098	3.0	8.3
70	36,558	10.71	60,931	17.86	62,837	18.42	3,830	5,937	6,121	3.0	8.3
71	36,668	10.75	61,114	17.91	62,958	18.45	3,845	5,959	6,144	3.0	8.3
72	36,778	10.78	61,297	17.97	63,079	18.49	3,859	5,982	6,167	3.0	8.3
73	36,888	10.81	61,480	18.02	63,200	18.52	3,874	6,004	6,190	3.0	8.3

Note:

- Capacity as rated: 0 ft. above sea level with piping length as main pipe (16.4 ft.) + branch pipe (98.4 ft.) = 115 ft. 0 ft. level difference between outdoor and indoor units.
- Heating capacity rating obtained with air entering the indoor unit at 70°F dry bulb (DB) and 60°F wet bulb (WB), and outdoor ambient conditions of 47°F dry bulb (DB) and 43°F wet bulb (WB).

- Wiring cable size must comply with the applicable local and national codes.
- The specification may be subject to change without prior notice for purpose of improvement.
- Sum of connected indoor units' capacity is 24-73 kBtu/h.
- At least two indoor units must be connected.
- Combination tables with calculated SEER and HSPF are outside the scope of AHRI 1230 test standard.

**FOR PROPER SYSTEM OPERATION:**

- At least two operable indoor units must be connected to the outdoor unit.
- Total connected indoor unit nominal capacity must be a minimum 40% and a maximum of 133% of outdoor unit nominal capacity.
- To calculate the connected total indoor unit nominal capacity, simply sum up the nominal capacities of all indoor units.
  - For high static duct and vertical-horizontal air handling indoor units, a 1.3 multiplier must first be applied before adding to the sum of other smaller indoor unit types.
  - When high static duct and/or vertical-horizontal air handling indoor units are the **only** connected indoor units, the multiplier is 1.2.

# COMBINATION TABLES

## LMU540HV

Table 46: LMU540HV with Mixed Indoor Units — Rated Heating Combination Table.

Total Indoor Unit Capacity (kBtu/h)	Heating Capacity										COP	HSPF
	Minimum		Rated		Maximum		Input (W)					
	Btu/h	kW	Btu/h	kW	Btu/h	kW	Minimum	Rated	Maximum			
24	16,090	4.72	26,817	7.86	28,158	8.25	1,442	2,236	2,516	3.5	10.1	
25	16,761	4.91	27,935	8.19	29,331	8.60	1,512	2,344	2,621	3.5	10.0	
26	17,431	5.11	29,052	8.51	30,505	8.94	1,582	2,452	2,726	3.5	9.9	
27	18,102	5.31	30,169	8.84	31,678	9.28	1,652	2,561	2,830	3.5	9.9	
28	18,772	5.50	31,287	9.17	32,851	9.63	1,722	2,669	2,935	3.4	9.8	
29	19,442	5.70	32,404	9.50	34,024	9.97	1,792	2,778	3,040	3.4	9.8	
30	20,113	5.89	33,521	9.82	35,198	10.32	1,862	2,886	3,145	3.4	9.7	
31	20,783	6.09	34,639	10.15	36,371	10.66	1,932	2,995	3,250	3.4	9.7	
32	21,454	6.29	35,756	10.48	37,544	11.00	2,002	3,103	3,354	3.4	9.6	
33	22,124	6.48	36,874	10.81	38,717	11.35	2,072	3,212	3,459	3.4	9.6	
34	22,795	6.68	37,991	11.13	39,891	11.69	2,142	3,320	3,564	3.4	9.5	
35	23,465	6.88	39,108	11.46	41,064	12.04	2,212	3,429	3,669	3.3	9.5	
36	24,135	7.07	40,226	11.79	42,237	12.38	2,282	3,537	3,774	3.3	9.4	
37	24,806	7.27	41,343	12.12	43,410	12.72	2,352	3,646	3,879	3.3	9.4	
38	25,476	7.47	42,460	12.44	44,584	13.07	2,422	3,754	3,983	3.3	9.3	
39	26,147	7.66	43,578	12.77	45,757	13.41	2,492	3,863	4,088	3.3	9.3	
40	26,817	7.86	44,695	13.10	46,930	13.75	2,562	3,971	4,193	3.3	9.2	
41	27,488	8.06	45,813	13.43	48,103	14.10	2,632	4,080	4,298	3.3	9.2	
42	28,158	8.25	46,930	13.75	49,277	14.44	2,702	4,188	4,403	3.3	9.1	
43	28,828	8.45	48,047	14.08	50,450	14.79	2,772	4,297	4,507	3.3	9.1	
44	29,499	8.65	49,165	14.41	51,623	15.13	2,842	4,405	4,612	3.3	9.0	
45	30,169	8.84	50,282	14.74	52,796	15.47	2,912	4,514	4,717	3.3	9.0	
46	30,840	9.04	51,400	15.06	53,970	15.82	2,982	4,622	4,822	3.3	8.9	
47	31,510	9.24	52,517	15.39	55,143	16.16	3,052	4,731	4,927	3.3	8.9	
48	32,181	9.43	53,634	15.72	56,316	16.51	3,122	4,839	5,032	3.2	8.8	
49	32,700	9.58	54,500	15.97	57,225	16.77	3,192	4,948	5,136	3.2	8.8	
50	33,219	9.74	55,366	16.23	58,134	17.04	3,262	5,056	5,241	3.2	8.7	
51	33,739	9.89	56,231	16.48	59,043	17.30	3,332	5,165	5,346	3.2	8.7	
52	34,258	10.04	57,097	16.73	59,952	17.57	3,402	5,273	5,451	3.2	8.6	
53	34,529	10.12	57,549	16.87	60,426	17.71	3,472	5,382	5,555	3.1	8.6	
54	34,800	10.20	58,000	17.00	60,900	17.85	3,542	5,490	5,660	3.1	8.5	
55	34,910	10.23	58,183	17.05	61,042	17.89	3,559	5,517	5,688	3.1	8.5	
56	35,020	10.26	58,366	17.11	61,184	17.93	3,577	5,544	5,716	3.1	8.5	
57	35,130	10.30	58,549	17.16	61,326	17.97	3,594	5,571	5,744	3.1	8.5	
58	35,240	10.33	58,733	17.21	61,468	18.02	3,612	5,598	5,772	3.1	8.5	
59	35,349	10.36	58,916	17.27	61,611	18.06	3,629	5,625	5,800	3.1	8.5	
60	35,459	10.39	59,099	17.32	61,753	18.10	3,647	5,652	5,828	3.1	8.5	
61	35,569	10.42	59,282	17.37	61,895	18.14	3,664	5,679	5,856	3.1	8.5	
62	35,679	10.46	59,465	17.43	62,037	18.18	3,682	5,706	5,884	3.1	8.5	
63	35,789	10.49	59,648	17.48	62,179	18.22	3,699	5,733	5,911	3.0	8.5	
64	35,899	10.52	59,832	17.54	62,321	18.27	3,716	5,761	5,939	3.0	8.5	
65	36,009	10.55	60,015	17.59	62,463	18.31	3,734	5,788	5,967	3.0	8.5	
66	36,119	10.59	60,198	17.64	62,605	18.35	3,751	5,815	5,995	3.0	8.5	
67	36,229	10.62	60,381	17.70	62,747	18.39	3,769	5,842	6,023	3.0	8.5	
68	36,339	10.65	60,564	17.75	62,889	18.43	3,786	5,869	6,051	3.0	8.5	
69	36,448	10.68	60,747	17.80	63,032	18.47	3,804	5,896	6,079	3.0	8.5	
70	36,558	10.71	60,931	17.86	63,174	18.52	3,821	5,923	6,107	3.0	8.5	
71	36,668	10.75	61,114	17.91	63,316	18.56	3,839	5,950	6,134	3.0	8.5	
72	36,778	10.78	61,297	17.97	63,458	18.60	3,856	5,977	6,162	3.0	8.5	
73	36,888	10.81	61,480	18.02	63,600	18.64	3,874	6,004	6,190	3.0	8.5	

Note:

- Capacity as rated: 0 ft. above sea level with piping length as main pipe (16.4 ft.) + branch pipe (98.4 ft.) = 115 ft. 0 ft. level difference between outdoor and indoor units.
- Heating capacity rating obtained with air entering the indoor unit at 70°F dry bulb (DB) and 60°F wet bulb (WB), and outdoor ambient conditions of 47°F dry bulb (DB) and 43°F wet bulb (WB).
- Wiring cable size must comply with the applicable local and national codes.
- The specification may be subject to change without prior notice for purpose of improvement.
- Sum of connected indoor units' capacity is 24-73 kBtu/h.
- At least two indoor units must be connected.
- Combination tables with calculated SEER and HSPF are outside the scope of AHRI 1230 test standard.

# COMBINATION TABLES

## LMU600HV

The individual indoor unit capacity can be calculated based on the outdoor unit rated capacity as follows.<sup>1</sup>

$$\text{Individual Indoor Unit Combination Capacity (Qidu [Combi])} = \frac{\text{Outdoor Unit Rated Capacity (Qodu [Rated])} \times \text{Individual Indoor Unit Rated Capacity (Qidu [Rated])}{\text{Total Connected Indoor Unit Rated Capacity } (\sum \text{Qidu [Rated]})}$$

<sup>1</sup>To calculate the individual IDU capacity based on ODU corrected capacity, replace (Qodu [Rated]) with (Qodu [Corrected]) where (Qodu [Corrected]) is obtained from the capacity tables referencing design conditions.

Table 47: LMU600HV with Non-Ducted Indoor Units — Rated Cooling Combination Table.

Total Indoor Unit Capacity (kBtu/h)	Cooling Capacity										EER	SEER
	Minimum		Rated		Maximum		Input (W)					
	Btu/h	kW	Btu/h	kW	Btu/h	kW	Minimum	Rated	Maximum			
24	15,600	4.57	24,000	7.03	26,400	7.74	981	1,520	1,753	15.80	21.60	
25	16,250	4.76	25,000	7.33	27,500	8.06	1,048	1,624	1,865	15.40	21.60	
26	16,900	4.95	26,000	7.62	28,600	8.38	1,115	1,728	1,977	15.00	21.50	
27	17,550	5.14	27,000	7.91	29,700	8.70	1,182	1,832	2,089	14.70	21.50	
28	18,200	5.33	28,000	8.21	30,800	9.03	1,249	1,936	2,201	14.50	21.50	
29	18,850	5.52	29,000	8.50	31,900	9.35	1,316	2,040	2,313	14.20	21.40	
30	19,500	5.72	30,000	8.79	33,000	9.67	1,383	2,144	2,425	14.00	21.40	
31	20,150	5.91	31,000	9.09	34,100	9.99	1,450	2,248	2,537	13.80	21.40	
32	20,800	6.10	32,000	9.38	35,200	10.32	1,517	2,352	2,649	13.60	21.40	
33	21,450	6.29	33,000	9.67	36,300	10.64	1,584	2,456	2,761	13.40	21.30	
34	22,100	6.48	34,000	9.96	37,400	10.96	1,651	2,560	2,873	13.30	21.30	
35	22,750	6.67	35,000	10.26	38,500	11.28	1,719	2,664	2,985	13.10	21.30	
36	23,400	6.86	36,000	10.55	39,600	11.61	1,786	2,768	3,097	13.00	21.20	
37	24,050	7.05	37,000	10.84	40,700	11.93	1,853	2,872	3,209	12.90	21.20	
38	24,700	7.24	38,000	11.14	41,800	12.25	1,920	2,976	3,321	12.80	21.20	
39	25,350	7.43	39,000	11.43	42,900	12.57	1,987	3,080	3,433	12.70	21.10	
40	26,000	7.62	40,000	11.72	44,000	12.90	2,054	3,184	3,545	12.60	21.10	
41	26,650	7.81	41,000	12.02	45,100	13.22	2,121	3,288	3,657	12.50	21.10	
42	27,300	8.00	42,000	12.31	46,200	13.54	2,188	3,392	3,769	12.40	21.10	
43	27,950	8.19	43,000	12.60	47,300	13.86	2,255	3,495	3,880	12.30	21.00	
44	28,600	8.38	44,000	12.90	48,400	14.19	2,322	3,599	3,992	12.20	21.00	
45	29,250	8.57	45,000	13.19	49,500	14.51	2,389	3,703	4,104	12.20	21.00	
46	29,900	8.76	46,000	13.48	50,600	14.83	2,456	3,807	4,216	12.10	20.90	
47	30,550	8.95	47,000	13.77	51,700	15.15	2,523	3,911	4,328	12.00	20.90	
48	31,200	9.14	48,000	14.07	52,800	15.47	2,591	4,015	4,440	12.00	20.90	
49	31,850	9.33	49,000	14.36	53,900	15.80	2,658	4,119	4,552	11.90	20.80	
50	32,500	9.53	50,000	14.65	55,000	16.12	2,725	4,223	4,664	11.80	20.80	
51	33,150	9.72	51,000	14.95	56,100	16.44	2,792	4,327	4,776	11.80	20.80	
52	33,800	9.91	52,000	15.24	57,200	16.76	2,859	4,431	4,888	11.70	20.70	
53	34,450	10.10	53,000	15.53	58,300	17.09	2,926	4,535	5,000	11.70	20.70	
54	35,100	10.29	54,000	15.83	59,400	17.41	2,993	4,639	5,112	11.60	20.70	
55	35,750	10.48	55,000	16.12	60,500	17.73	3,060	4,743	5,224	11.60	20.70	
56	36,400	10.67	56,000	16.41	61,600	18.05	3,127	4,847	5,336	11.60	20.60	
57	37,050	10.86	57,000	16.71	62,700	18.38	3,194	4,951	5,448	11.50	20.60	
58	37,700	11.05	58,000	17.00	63,800	18.70	3,261	5,055	5,560	11.50	20.60	
59	38,350	11.24	59,000	17.29	64,900	19.02	3,328	5,159	5,672	11.40	20.50	
60	39,000	11.43	60,000	17.58	65,000	19.05	3,395	5,263	5,784	11.40	20.50	
61	39,124	11.47	60,190	17.64	65,143	19.09	3,406	5,280	5,796	11.40	20.40	
62	39,248	11.50	60,381	17.70	65,286	19.13	3,417	5,296	5,808	11.40	20.40	
63	39,371	11.54	60,571	17.75	65,429	19.18	3,427	5,313	5,821	11.40	20.30	
64	39,495	11.58	60,762	17.81	65,571	19.22	3,438	5,329	5,833	11.40	20.30	
65	39,619	11.61	60,952	17.86	65,714	19.26	3,449	5,346	5,845	11.40	20.20	
66	39,743	10.61	61,143	15.97	65,857	17.97	3,459	5,362	5,857	11.40	20.10	
67	39,867	10.73	61,333	16.02	66,000	18.05	3,470	5,379	5,869	11.40	20.10	
68	39,990	10.84	61,524	16.07	66,143	18.13	3,481	5,395	5,882	11.40	20.00	
69	40,114	10.96	61,714	16.12	66,286	18.21	3,491	5,412	5,894	11.40	19.90	
70	40,238	11.07	61,905	16.16	66,429	18.29	3,502	5,428	5,906	11.40	19.90	
71	40,362	11.19	62,095	16.21	66,571	18.36	3,513	5,445	5,918	11.40	19.80	
72	40,486	11.30	62,286	16.26	66,714	18.44	3,523	5,461	5,930	11.40	19.80	
73	40,610	11.42	62,476	16.31	66,857	18.52	3,534	5,478	5,942	11.40	19.70	
74	40,733	11.42	62,667	16.31	67,000	18.52	3,545	5,494	5,955	11.40	19.60	
75	40,857	11.42	62,857	16.31	67,143	18.52	3,555	5,511	5,967	11.40	19.60	
76	40,981	11.42	63,048	16.31	67,286	18.52	3,566	5,527	5,979	11.40	19.50	
77	41,105	11.42	63,238	16.31	67,429	18.52	3,577	5,544	5,991	11.40	19.40	
78	41,229	11.42	63,429	16.31	67,571	18.52	3,587	5,560	6,003	11.40	19.40	
79	41,352	11.42	63,619	16.31	67,714	18.52	3,598	5,577	6,016	11.40	19.30	
80	41,476	11.42	63,810	16.31	67,857	18.52	3,609	5,593	6,028	11.40	19.30	
81	41,600	11.42	64,000	16.31	68,000	18.52	3,619	5,610	6,040	11.40	19.20	



# COMBINATION TABLES

## LMU600HV

Table 48: LMU600HV with Ducted Indoor Units – Rated Cooling Combination Table.

Total Indoor Unit Capacity (kBtu/h)	Cooling Capacity									EER	SEER
	Minimum		Rated		Maximum		Input (W)				
	Btu/h	kW	Btu/h	kW	Btu/h	kW	Minimum	Rated	Maximum		
24	15,457	4.53	23,780	6.97	26,158	7.67	1,029	1,595	1,840	14.91	19.50
25	16,080	4.71	24,738	7.25	27,212	7.98	1,100	1,705	1,957	14.51	19.50
26	16,703	4.90	25,696	7.53	28,266	8.28	1,170	1,814	2,075	14.17	19.40
27	17,325	5.08	26,654	7.81	29,320	8.59	1,240	1,923	2,193	13.86	19.40
28	17,948	5.26	27,613	8.09	30,374	8.90	1,311	2,032	2,310	13.59	19.40
29	18,571	5.44	28,571	8.37	31,428	9.21	1,381	2,141	2,428	13.34	19.40
30	19,194	5.63	29,529	8.65	32,482	9.52	1,452	2,250	2,545	13.12	19.30
31	19,817	5.81	30,487	8.94	33,536	9.83	1,522	2,359	2,663	12.92	19.30
32	20,439	5.99	31,445	9.22	34,590	10.14	1,593	2,468	2,780	12.74	19.30
33	21,062	6.17	32,403	9.50	35,644	10.45	1,663	2,578	2,898	12.57	19.20
34	21,685	6.36	33,362	9.78	36,698	10.76	1,733	2,687	3,015	12.42	19.20
35	22,308	6.54	34,320	10.06	37,752	11.06	1,804	2,796	3,133	12.28	19.20
36	22,931	6.72	35,278	10.34	38,806	11.37	1,874	2,905	3,250	12.14	19.20
37	23,553	6.90	36,236	10.62	39,860	11.68	1,945	3,014	3,368	12.02	19.10
38	24,176	7.09	37,194	10.90	40,914	11.99	2,015	3,123	3,485	11.91	19.10
39	24,799	7.27	38,152	11.18	41,968	12.30	2,085	3,232	3,603	11.80	19.10
40	25,422	7.45	39,111	11.46	43,022	12.61	2,156	3,341	3,720	11.70	19.10
41	26,045	7.63	40,069	11.74	44,076	12.92	2,226	3,451	3,838	11.61	19.00
42	26,667	7.82	41,027	12.02	45,130	13.23	2,297	3,560	3,955	11.53	19.00
43	27,290	8.00	41,985	12.31	46,184	13.54	2,367	3,669	4,073	11.44	19.00
44	27,913	8.18	42,943	12.59	47,238	13.84	2,437	3,778	4,190	11.37	18.90
45	28,536	8.36	43,901	12.87	48,291	14.15	2,508	3,887	4,308	11.29	18.90
46	29,159	8.55	44,860	13.15	49,345	14.46	2,578	3,996	4,425	11.23	18.90
47	29,781	8.73	45,818	13.43	50,399	14.77	2,649	4,105	4,543	11.16	18.90
48	30,404	8.91	46,776	13.71	51,453	15.08	2,719	4,214	4,661	11.10	18.80
49	31,027	9.09	47,734	13.99	52,507	15.39	2,789	4,324	4,778	11.04	18.80
50	31,650	9.28	48,692	14.27	53,561	15.70	2,860	4,433	4,896	10.98	18.80
51	32,273	9.46	49,650	14.55	54,615	16.01	2,930	4,542	5,013	10.93	18.70
52	32,896	9.64	50,608	14.83	55,669	16.32	3,001	4,651	5,131	10.88	18.70
53	33,518	9.82	51,567	15.11	56,723	16.62	3,071	4,760	5,248	10.83	18.70
54	34,141	10.01	52,525	15.39	57,777	16.93	3,141	4,869	5,366	10.79	18.70
55	34,764	10.18	53,483	15.66	58,831	17.23	3,212	4,978	5,483	10.73	18.60
56	35,387	10.35	54,441	15.93	59,885	17.52	3,282	5,087	5,601	10.68	18.60
57	35,991	10.53	55,399	16.20	60,939	17.82	3,353	5,197	5,718	10.63	18.60
58	36,595	10.70	56,357	16.46	61,993	18.11	3,423	5,306	5,836	10.59	18.60
59	37,199	10.88	57,315	16.73	63,047	18.40	3,493	5,415	5,953	10.54	18.50
60	37,803	11.05	58,273	17.00	64,101	18.69	3,564	5,524	6,071	10.50	18.50
61	38,407	11.22	59,231	17.27	65,155	18.98	3,634	5,633	6,189	10.46	18.50
62	39,011	11.39	60,189	17.54	66,209	19.27	3,705	5,742	6,307	10.42	18.40
63	39,615	11.56	61,147	17.81	67,263	19.56	3,775	5,851	6,425	10.38	18.40
64	40,219	11.73	62,105	18.08	68,317	19.85	3,846	5,960	6,543	10.34	18.30
65	40,823	11.90	63,063	18.35	69,371	20.14	3,916	6,069	6,661	10.30	18.30
66	41,427	12.07	64,021	18.62	70,425	20.43	3,987	6,178	6,779	10.26	18.20
67	42,031	12.24	64,979	18.89	71,479	20.72	4,057	6,287	6,897	10.22	18.20
68	42,635	12.41	65,937	19.16	72,533	21.01	4,128	6,396	7,015	10.18	18.10
69	43,239	12.58	66,895	19.43	73,587	21.30	4,198	6,505	7,133	10.14	18.10
70	43,843	12.75	67,853	19.70	74,641	21.59	4,269	6,614	7,251	10.10	18.00
71	44,447	12.92	68,811	19.97	75,695	21.88	4,339	6,723	7,369	10.06	18.00
72	45,051	13.09	69,769	20.24	76,749	22.17	4,410	6,832	7,487	10.02	17.90
73	45,655	13.26	70,727	20.51	77,803	22.46	4,480	6,941	7,605	10.00	17.80
74	46,259	13.43	71,685	20.78	78,857	22.75	4,551	7,050	7,723	9.96	17.80
75	46,863	13.60	72,643	21.05	79,911	23.04	4,621	7,159	7,841	9.92	17.70
76	47,467	13.77	73,601	21.32	80,965	23.33	4,692	7,268	7,959	9.88	17.70
77	48,071	13.94	74,559	21.59	82,019	23.62	4,762	7,377	8,077	9.84	17.60
78	48,675	14.11	75,517	21.86	83,073	23.91	4,833	7,486	8,195	9.80	17.60
79	49,279	14.28	76,475	22.13	84,127	24.20	4,903	7,595	8,313	9.76	17.50
80	49,883	14.45	77,433	22.40	85,181	24.49	4,974	7,704	8,431	9.72	17.40
81	50,487	14.62	78,391	22.67	86,235	24.78	5,044	7,813	8,549	9.68	17.40

Note:

1. Capacity as rated: 0 ft. above sea level with Piping Length as Main Pipe (16.4 ft.) + Branch pipe (98.4 ft.) = 115 ft.  
0 ft. level difference between outdoor and indoor units.

2. Cooling capacity rating obtained with air entering the indoor unit at 80°F dry bulb (DB) and 67°F wet bulb (WB), and outdoor ambient conditions of 95°F dry bulb (DB) and 75°F wet bulb (WB).

3. Wiring cable size must comply with the applicable local and national codes.

4. The specification may be subject to change without prior notice for purpose of improvement.

5. Sum of connected indoor units capacity is 24-81 kBtu/h.

6. At least two indoor units must be connected.

7. Combination tables with calculated SEER and HSPF are outside the scope of AHRI 1230 test standard.

# COMBINATION TABLES

## LMU600HV

Table 49: LMU600HV with Mixed Indoor Units — Rated Cooling Combination Table.

Total Indoor Unit Capacity (kBtu/h)	Cooling Capacity									EER	SEER
	Minimum		Rated		Maximum		Input (W)				
	Btu/h	kW	Btu/h	kW	Btu/h	kW	Minimum	Rated	Maximum		
24	15,529	4.6	23,890	7.0	26,279	7.70	1,005	1,558	1,796	15.34	20.5
25	16,165	4.7	24,869	7.3	27,356	8.02	1,074	1,664	1,911	14.94	20.5
26	16,801	4.9	25,848	7.6	28,433	8.33	1,142	1,771	2,026	14.60	20.5
27	17,438	5.1	26,827	7.9	29,510	8.65	1,211	1,877	2,141	14.29	20.5
28	18,074	5.3	27,806	8.1	30,587	8.96	1,280	1,984	2,255	14.02	20.4
29	18,711	5.5	28,785	8.4	31,664	9.28	1,349	2,090	2,370	13.77	20.4
30	19,347	5.7	29,764	8.7	32,741	9.60	1,417	2,197	2,485	13.55	20.4
31	19,983	5.9	30,744	9.0	33,818	9.91	1,486	2,304	2,600	13.35	20.3
32	20,620	6.0	31,723	9.3	34,895	10.23	1,555	2,410	2,714	13.16	20.3
33	21,256	6.23	32,702	9.58	35,972	10.54	1,624	2,517	2,829	12.99	20.3
34	21,893	6.42	33,681	9.87	37,049	10.86	1,692	2,623	2,944	12.84	20.3
35	22,529	6.60	34,660	10.16	38,126	11.17	1,761	2,730	3,059	12.70	20.2
36	23,165	6.79	35,639	10.45	39,203	11.49	1,830	2,836	3,173	12.57	20.2
37	23,802	6.98	36,618	10.73	40,280	11.81	1,899	2,943	3,288	12.44	20.2
38	24,438	7.16	37,597	11.02	41,357	12.12	1,967	3,049	3,403	12.33	20.1
39	25,075	7.35	38,576	11.31	42,434	12.44	2,036	3,156	3,518	12.22	20.1
40	25,711	7.54	39,555	11.59	43,511	12.75	2,105	3,262	3,632	12.12	20.1
41	26,347	7.72	40,534	11.88	44,588	13.07	2,174	3,369	3,747	12.03	20.1
42	26,984	7.91	41,513	12.17	45,665	13.38	2,242	3,476	3,862	11.94	20.0
43	27,620	8.09	42,493	12.45	46,742	13.70	2,311	3,582	3,977	11.86	20.0
44	28,257	8.28	43,472	12.74	47,819	14.01	2,380	3,689	4,091	11.79	20.0
45	28,893	8.47	44,451	13.03	48,896	14.33	2,449	3,795	4,206	11.71	19.9
46	29,529	8.65	45,430	13.31	49,973	14.65	2,517	3,902	4,321	11.64	19.9
47	30,166	8.84	46,409	13.60	51,050	14.96	2,586	4,008	4,436	11.58	19.9
48	30,802	9.03	47,388	13.89	52,127	15.28	2,655	4,115	4,550	11.52	19.8
49	31,439	9.21	48,367	14.18	53,204	15.59	2,724	4,221	4,665	11.46	19.8
50	32,075	9.40	49,346	14.46	54,281	15.91	2,792	4,328	4,780	11.40	19.8
51	32,711	9.59	50,325	14.75	55,358	16.22	2,861	4,435	4,895	11.35	19.8
52	33,348	9.77	51,304	15.04	56,435	16.54	2,930	4,541	5,009	11.30	19.7
53	33,984	9.96	52,283	15.32	57,512	16.86	2,998	4,648	5,124	11.25	19.7
54	34,621	10.15	53,262	15.61	58,589	17.17	3,067	4,754	5,239	11.20	19.7
55	35,257	10.33	54,241	15.89	59,666	17.48	3,136	4,861	5,354	11.15	19.6
56	35,893	10.51	55,220	16.17	60,743	17.79	3,205	4,967	5,468	11.11	19.6
57	36,529	10.69	56,199	16.45	61,820	18.10	3,273	5,074	5,583	11.06	19.6
58	37,165	10.88	57,178	16.73	62,897	18.40	3,342	5,180	5,698	11.02	19.6
59	37,801	11.06	58,157	17.01	63,974	18.71	3,411	5,287	5,813	10.98	19.5
60	38,437	11.24	59,136	17.29	65,051	19.01	3,480	5,394	5,927	10.94	19.5
61	39,073	11.42	60,115	17.57	66,128	19.31	3,549	5,501	6,041	10.90	19.4
62	39,709	11.60	61,094	17.85	67,205	19.61	3,618	5,608	6,155	10.86	19.4
63	40,345	11.78	62,073	18.13	68,282	19.91	3,687	5,715	6,269	10.82	19.3
64	40,981	11.96	63,052	18.41	69,359	20.21	3,756	5,822	6,383	10.78	19.3
65	41,617	12.14	64,031	18.69	70,436	20.51	3,825	5,929	6,497	10.74	19.2
66	42,253	12.32	65,010	18.97	71,513	20.81	3,894	6,036	6,611	10.70	19.1
67	42,889	12.50	65,989	19.25	72,590	21.11	3,963	6,143	6,725	10.66	19.1
68	43,525	12.68	66,968	19.53	73,667	21.41	4,032	6,250	6,839	10.62	19.0
69	44,161	12.86	67,947	19.81	74,744	21.71	4,101	6,357	6,953	10.58	19.0
70	44,797	13.04	68,926	20.09	75,821	22.01	4,170	6,464	7,067	10.54	18.9
71	45,433	13.22	69,905	20.37	76,898	22.31	4,239	6,571	7,181	10.50	18.9
72	46,069	13.40	70,884	20.65	77,975	22.61	4,308	6,678	7,295	10.46	18.8
73	46,705	13.58	71,863	20.93	79,052	22.91	4,377	6,785	7,409	10.42	18.7
74	47,341	13.76	72,842	21.21	80,129	23.21	4,446	6,892	7,523	10.38	18.7
75	47,977	13.94	73,821	21.49	81,206	23.51	4,515	7,000	7,637	10.34	18.6
76	48,613	14.12	74,800	21.77	82,283	23.81	4,584	7,107	7,751	10.30	18.6
77	49,249	14.30	75,779	22.05	83,360	24.11	4,653	7,214	7,865	10.26	18.5
78	49,885	14.48	76,758	22.33	84,437	24.41	4,722	7,321	7,979	10.22	18.4
79	50,521	14.66	77,737	22.61	85,514	24.71	4,791	7,428	8,093	10.18	18.4
80	51,157	14.84	78,716	22.89	86,591	25.01	4,860	7,535	8,207	10.14	18.3
81	51,793	15.02	79,695	23.17	87,668	25.31	4,929	7,642	8,321	10.10	18.3

Note:

- Capacity as rated: 0 ft. above sea level with Piping Length as Main Pipe (16.4 ft.) + Branch pipe (98.4 ft.) = 115 ft.  
0 ft. level difference between outdoor and indoor units.
- Cooling capacity rating obtained with air entering the indoor unit at 80°F dry bulb (DB) and 67°F wet bulb (WB), and outdoor ambient conditions of 95°F dry bulb (DB) and 75°F wet bulb (WB).
- Wiring cable size must comply with the applicable local and national codes.

- The specification may be subject to change without prior notice for purpose of improvement.
- Sum of connected indoor units capacity is 24–81 kBtu/h.
- At least two indoor units must be connected.
- Combination tables with calculated SEER and HSPF are outside the scope of AHRI 1230 test standard.

**FOR PROPER SYSTEM OPERATION:**

- At least two operable indoor units must be connected to the outdoor unit.
- Total connected indoor unit nominal capacity must be a minimum 40% and a maximum of 133% of outdoor unit nominal capacity.
- To calculate the connected total indoor unit nominal capacity, simply sum up the nominal capacities of all indoor units.
  - For high static duct and vertical-horizontal air handling indoor units, a 1.3 multiplier must first be applied before adding to the sum of other smaller indoor unit types.
  - When high static duct and/or vertical-horizontal air handling indoor units are the **only** connected indoor units, the multiplier is 1.2.

# COMBINATION TABLES

## LMU600HV

Table 50: LMU600HV with Non-Ducted Indoor Units — Rated Heating Combination Table.

Total Indoor Unit Capacity (kBtu/h)	Heating Capacity									COP	HSPF
	Minimum		Rated		Maximum		Input (W)				
	Btu/h	kW	Btu/h	kW	Btu/h	kW	Minimum	Rated	Maximum		
24	17,940	5.26	27,600	8.09	28,980	8.49	1,280	1,984	2,182	4.1	11.9
25	18,688	5.48	28,750	8.43	30,188	8.85	1,340	2,077	2,284	4.1	11.9
26	19,435	5.70	29,900	8.76	31,395	9.20	1,400	2,170	2,386	4.0	11.9
27	20,183	5.92	31,050	9.10	32,603	9.56	1,460	2,263	2,488	4.0	11.8
28	20,930	6.13	32,200	9.44	33,810	9.91	1,520	2,356	2,589	4.0	11.8
29	21,678	6.35	33,350	9.77	35,018	10.26	1,580	2,449	2,691	4.0	11.8
30	22,425	6.57	34,500	10.11	36,225	10.62	1,640	2,542	2,793	4.0	11.8
31	23,173	6.79	35,650	10.45	37,433	10.97	1,700	2,635	2,895	4.0	11.7
32	23,920	7.01	36,800	10.79	38,640	11.32	1,760	2,728	2,996	4.0	11.7
33	24,668	7.23	37,950	11.12	39,848	11.68	1,820	2,821	3,098	3.9	11.7
34	25,415	7.45	39,100	11.46	41,055	12.03	1,880	2,914	3,200	3.9	11.7
35	26,163	7.67	40,250	11.80	42,263	12.39	1,940	3,007	3,302	3.9	11.6
36	26,910	7.89	41,400	12.13	43,470	12.74	2,000	3,100	3,403	3.9	11.6
37	27,658	8.11	42,550	12.47	44,678	13.09	2,060	3,193	3,505	3.9	11.6
38	28,405	8.33	43,700	12.81	45,885	13.45	2,120	3,286	3,607	3.9	11.6
39	29,153	8.54	44,850	13.14	47,093	13.80	2,180	3,379	3,708	3.9	11.5
40	29,900	8.76	46,000	13.48	48,300	14.16	2,240	3,472	3,810	3.9	11.5
41	30,648	8.98	47,150	13.82	49,508	14.51	2,300	3,565	3,912	3.9	11.5
42	31,395	9.20	48,300	14.16	50,715	14.86	2,360	3,659	4,014	3.9	11.5
43	32,143	9.42	49,450	14.49	51,923	15.22	2,420	3,752	4,115	3.9	11.4
44	32,890	9.64	50,600	14.83	53,130	15.57	2,480	3,845	4,217	3.9	11.4
45	33,638	9.86	51,750	15.17	54,338	15.93	2,540	3,938	4,319	3.9	11.4
46	34,213	10.03	52,636	15.43	55,267	16.20	2,600	4,031	4,421	3.8	11.4
47	34,781	10.19	53,510	15.68	56,185	16.47	2,660	4,124	4,522	3.8	11.3
48	35,521	10.41	54,648	16.02	57,380	16.82	2,720	4,217	4,624	3.8	11.3
49	36,261	10.63	55,787	16.35	58,576	17.17	2,780	4,310	4,726	3.8	11.3
50	37,001	10.84	56,925	16.68	59,771	17.52	2,840	4,403	4,828	3.8	11.3
51	37,461	10.98	57,633	16.89	60,514	17.74	2,900	4,496	4,929	3.8	11.2
52	37,921	11.11	58,340	17.10	61,257	17.95	2,961	4,589	5,031	3.7	11.2
53	38,381	11.25	59,048	17.31	62,000	18.17	3,021	4,682	5,133	3.7	11.2
54	38,841	11.38	59,755	17.51	62,743	18.39	3,081	4,775	5,235	3.7	11.2
55	39,301	11.52	60,463	17.72	63,486	18.61	3,141	4,868	5,336	3.6	11.1
56	39,761	11.65	61,170	17.93	64,229	18.82	3,201	4,961	5,438	3.6	11.1
57	40,220	11.79	61,878	18.14	64,971	19.04	3,261	5,054	5,540	3.6	11.1
58	40,680	11.92	62,585	18.34	65,714	19.26	3,321	5,147	5,642	3.6	11.1
59	41,140	12.06	63,293	18.55	66,457	19.48	3,381	5,240	5,743	3.5	11.0
60	41,600	12.19	64,000	18.76	67,200	19.70	3,441	5,333	5,845	3.5	11.0
61	41,680	12.22	64,124	18.79	67,333	19.73	3,455	5,355	5,865	3.5	11.0
62	41,761	12.24	64,248	18.83	67,467	19.77	3,469	5,377	5,885	3.5	10.9
63	41,841	12.26	64,371	18.87	67,600	19.81	3,483	5,398	5,906	3.5	10.9
64	41,922	12.29	64,495	18.90	67,733	19.85	3,497	5,420	5,926	3.5	10.8
65	42,002	12.31	64,619	18.94	67,867	19.89	3,511	5,442	5,946	3.5	10.8
66	42,083	11.72	64,743	17.64	68,000	18.42	3,525	5,464	5,966	3.5	10.8
67	42,163	11.85	64,867	17.70	68,133	18.47	3,539	5,485	5,987	3.5	10.7
68	42,244	11.98	64,990	17.75	68,267	18.52	3,553	5,507	6,007	3.5	10.7
69	42,324	12.10	65,114	17.80	68,400	18.57	3,567	5,529	6,027	3.5	10.7
70	42,405	12.23	65,238	17.86	68,533	18.61	3,581	5,551	6,047	3.4	10.6
71	42,485	12.36	65,362	17.91	68,667	18.66	3,595	5,572	6,068	3.4	10.6
72	42,566	12.49	65,486	17.97	68,800	18.71	3,609	5,594	6,088	3.4	10.5
73	42,646	12.61	65,610	18.02	68,933	18.76	3,623	5,616	6,108	3.4	10.5
74	42,727	12.61	65,733	18.02	69,067	18.76	3,637	5,638	6,128	3.4	10.5
75	42,807	12.61	65,857	18.02	69,200	18.76	3,651	5,659	6,149	3.4	10.4
76	42,888	12.61	65,981	18.02	69,333	18.76	3,665	5,681	6,169	3.4	10.4
77	42,968	12.61	66,105	18.02	69,467	18.76	3,679	5,703	6,189	3.4	10.4
78	43,049	12.61	66,229	18.02	69,600	18.76	3,693	5,725	6,209	3.4	10.3
79	43,129	12.61	66,352	18.02	69,733	18.76	3,707	5,746	6,230	3.4	10.3
80	43,210	12.61	66,476	18.02	69,867	18.76	3,721	5,768	6,250	3.4	10.2
81	43,290	12.61	66,600	18.02	70,000	18.76	3,735	5,790	6,270	3.4	10.2

Note:

- Capacity as rated. 0 ft. above sea level with Piping Length as Main Pipe (16.4 ft.) + Branch pipe (98.4 ft.) = 115 ft.  
0 ft. level difference between outdoor and indoor units.
- Cooling capacity rating obtained with air entering the indoor unit at 80°F dry bulb (DB) and 67°F wet bulb (WB), and outdoor ambient conditions of 95°F dry bulb (DB) and 75°F wet bulb (WB).
- Wiring cable size must comply with the applicable local and national codes.
- The specification may be subject to change without prior notice for purpose of improvement.
- Sum of connected indoor units capacity is 24–81 kBtu/h.
- At least two indoor units must be connected.
- Combination tables with calculated SEER and HSPF are outside the scope of AHRI 1230 test standard.

# COMBINATION TABLES

## LMU600HV

Table 51: LMU600HV with Ducted Indoor Units – Rated Heating Combination Table.

Total Indoor Unit Capacity (kBtu/h)	Heating Capacity									COP	HSPF
	Minimum		Rated		Maximum		Input (W)				
	Btu/h	kW	Btu/h	kW	Btu/h	kW	Minimum	Rated	Maximum		
24	17,940	5.26	27,600	8.09	28,980	8.49	1,359	2,107	2,318	3.84	11.4
25	18,688	5.48	28,750	8.43	30,188	8.85	1,423	2,206	2,426	3.82	11.3
26	19,435	5.70	29,900	8.76	31,395	9.20	1,487	2,305	2,534	3.80	11.3
27	20,183	5.92	31,050	9.10	32,603	9.56	1,551	2,404	2,642	3.79	11.3
28	20,930	6.13	32,200	9.44	33,810	9.91	1,614	2,502	2,750	3.77	11.3
29	21,678	6.35	33,350	9.77	35,018	10.26	1,678	2,601	2,858	3.76	11.2
30	22,425	6.57	34,500	10.11	36,225	10.62	1,742	2,700	2,966	3.75	11.2
31	23,173	6.79	35,650	10.45	37,433	10.97	1,806	2,799	3,074	3.73	11.2
32	23,920	7.01	36,800	10.79	38,640	11.32	1,869	2,898	3,182	3.72	11.2
33	24,668	7.23	37,950	11.12	39,848	11.68	1,933	2,996	3,290	3.71	11.1
34	25,415	7.45	39,100	11.46	41,055	12.03	1,997	3,095	3,398	3.70	11.1
35	26,163	7.67	40,250	11.80	42,263	12.39	2,061	3,194	3,506	3.69	11.1
36	26,910	7.89	41,400	12.13	43,470	12.74	2,124	3,293	3,614	3.68	11.1
37	27,658	8.11	42,550	12.47	44,678	13.09	2,188	3,392	3,723	3.68	11.0
38	28,405	8.33	43,700	12.81	45,885	13.45	2,252	3,490	3,831	3.67	11.0
39	29,153	8.54	44,850	13.14	47,093	13.80	2,316	3,589	3,939	3.66	11.0
40	29,900	8.76	46,000	13.48	48,300	14.16	2,379	3,688	4,047	3.66	11.0
41	30,648	8.98	47,150	13.82	49,508	14.51	2,443	3,787	4,155	3.65	11.0
42	31,395	9.20	48,300	14.16	50,715	14.86	2,507	3,886	4,263	3.64	10.9
43	32,143	9.42	49,450	14.49	51,923	15.22	2,571	3,984	4,371	3.64	10.9
44	32,890	9.64	50,600	14.83	53,130	15.57	2,634	4,083	4,479	3.63	10.9
45	33,638	9.86	51,750	15.17	54,338	15.93	2,698	4,182	4,587	3.63	10.9
46	34,213	10.03	52,636	15.43	55,267	16.20	2,762	4,281	4,695	3.60	10.8
47	34,781	10.19	53,510	15.68	56,185	16.47	2,826	4,380	4,803	3.58	10.8
48	35,521	10.41	54,648	16.02	57,380	16.82	2,889	4,478	4,911	3.58	10.8
49	36,261	10.63	55,787	16.35	58,576	17.17	2,953	4,577	5,019	3.57	10.8
50	37,001	10.84	56,925	16.68	59,771	17.52	3,017	4,676	5,127	3.57	10.7
51	37,461	10.98	57,633	16.89	60,514	17.74	3,081	4,775	5,235	3.54	10.7
52	37,921	11.11	58,340	17.10	61,257	17.95	3,144	4,874	5,343	3.51	10.7
53	38,381	11.25	59,048	17.31	62,000	18.17	3,208	4,972	5,451	3.48	10.7
54	38,841	11.38	59,755	17.51	62,743	18.39	3,272	5,071	5,559	3.45	10.6
55	39,301	11.52	60,463	17.72	63,486	18.61	3,335	5,170	5,668	3.43	10.6
56	39,761	11.65	61,170	17.93	64,229	18.82	3,399	5,269	5,776	3.40	10.6
57	40,220	11.79	61,878	18.14	64,971	19.04	3,463	5,368	5,884	3.38	10.6
58	40,680	11.92	62,585	18.34	65,714	19.26	3,527	5,466	5,992	3.36	10.5
59	41,140	12.06	63,293	18.55	66,457	19.48	3,590	5,565	6,100	3.33	10.5
60	41,600	12.19	64,000	18.76	67,200	19.70	3,654	5,664	6,208	3.31	10.5
61	41,680	12.22	64,124	18.79	67,333	19.73	3,665	5,680	6,218	3.31	10.5
62	41,761	12.24	64,248	18.83	67,467	19.77	3,675	5,696	6,229	3.31	10.4
63	41,841	12.26	64,371	18.87	67,600	19.81	3,686	5,713	6,240	3.30	10.4
64	41,922	12.29	64,495	18.90	67,733	19.85	3,696	5,729	6,250	3.30	10.4
65	42,002	12.31	64,619	18.94	67,867	19.89	3,706	5,745	6,261	3.30	10.3
66	42,083	12.33	64,743	18.98	68,000	19.93	3,717	5,761	6,271	3.29	10.3
67	42,163	12.36	64,867	19.01	68,133	19.97	3,727	5,777	6,282	3.29	10.2
68	42,244	12.38	64,990	19.05	68,267	20.01	3,738	5,794	6,292	3.29	10.2
69	42,324	12.40	65,114	19.08	68,400	20.05	3,748	5,810	6,303	3.28	10.2
70	42,405	12.43	65,238	19.12	68,533	20.09	3,759	5,826	6,314	3.28	10.1
71	42,485	12.45	65,362	19.16	68,667	20.13	3,769	5,842	6,324	3.28	10.1
72	42,566	12.48	65,486	19.19	68,800	20.16	3,780	5,858	6,335	3.28	10.1
73	42,646	12.50	65,610	19.23	68,933	20.20	3,790	5,874	6,345	3.27	10.0
74	42,727	12.52	65,733	19.27	69,067	20.24	3,800	5,891	6,356	3.27	10.0
75	42,807	12.55	65,857	19.30	69,200	20.28	3,811	5,907	6,367	3.27	10.0
76	42,888	12.57	65,981	19.34	69,333	20.32	3,821	5,923	6,377	3.26	9.9
77	42,968	12.59	66,105	19.37	69,467	20.36	3,832	5,939	6,388	3.26	9.9
78	43,049	12.62	66,229	19.41	69,600	20.40	3,842	5,955	6,398	3.26	9.8
79	43,129	12.64	66,352	19.45	69,733	20.44	3,853	5,972	6,409	3.26	9.8
80	43,210	12.66	66,476	19.48	69,867	20.48	3,863	5,988	6,419	3.25	9.8
81	43,290	12.69	66,600	19.52	70,000	20.52	3,874	6,004	6,430	3.25	9.7

Note:

- Capacity as rated: 0 ft. above sea level with Piping Length as Main Pipe (16.4 ft.) + Branch pipe (98.4 ft.) = 115 ft.  
0 ft. level difference between outdoor and indoor units.
- Heating capacity rating obtained with air entering the indoor unit at 70°F dry bulb (DB) and 60°F wet bulb (WB), and outdoor ambient conditions of 47°F dry bulb (DB) and 43°F wet bulb (WB).
- Wiring cable size must comply with the applicable local and national codes.
- The specification may be subject to change without prior notice for purpose of improvement.
- Sum of connected indoor units capacity is 24–81 kBtu/h.
- At least two indoor units must be connected.
- Combination tables with calculated SEER and HSPF are outside the scope of AHRI 1230 test standard.

**FOR PROPER SYSTEM OPERATION:**

1. At least two operable indoor units must be connected to the outdoor unit.
2. Total connected indoor unit nominal capacity must be a minimum 40% and a maximum of 133% of outdoor unit nominal capacity.
3. To calculate the connected total indoor unit nominal capacity, simply sum up the nominal capacities of all indoor units.
  - For high static duct and vertical-horizontal air handling indoor units, a 1.3 multiplier must first be applied before adding to the sum of other smaller indoor unit types.
  - When high static duct and/or vertical-horizontal air handling indoor units are the **only** connected indoor units, the multiplier is 1.2.

# COMBINATION TABLES

## LMU600HV

Table 52: LMU600HV with Mixed Indoor Units – Rated Heating Combination Table.

Total Indoor Unit Capacity (kBtu/h)	Heating Capacity									COP	HSPF
	Minimum		Rated		Maximum		Input (W)				
	Btu/h	kW	Btu/h	kW	Btu/h	kW	Minimum	Rated	Maximum		
24	17,940	5.26	27,600	8.09	28,980	8.49	1,320	2,046	2,250	3.95	11.6
25	18,688	5.48	28,750	8.43	30,188	8.85	1,382	2,141	2,355	3.93	11.6
26	19,435	5.70	29,900	8.76	31,395	9.20	1,443	2,237	2,460	3.92	11.6
27	20,183	5.92	31,050	9.10	32,603	9.56	1,505	2,333	2,565	3.90	11.6
28	20,930	6.13	32,200	9.44	33,810	9.91	1,567	2,429	2,670	3.88	11.5
29	21,678	6.35	33,350	9.77	35,018	10.26	1,629	2,525	2,775	3.87	11.5
30	22,425	6.57	34,500	10.11	36,225	10.62	1,691	2,621	2,880	3.86	11.5
31	23,173	6.79	35,650	10.45	37,433	10.97	1,753	2,717	2,984	3.85	11.5
32	23,920	7.01	36,800	10.79	38,640	11.32	1,815	2,813	3,089	3.83	11.4
33	24,668	7.23	37,950	11.12	39,848	11.68	1,877	2,909	3,194	3.82	11.4
34	25,415	7.45	39,100	11.46	41,055	12.03	1,939	3,005	3,299	3.81	11.4
35	26,163	7.67	40,250	11.80	42,263	12.39	2,000	3,101	3,404	3.80	11.4
36	26,910	7.89	41,400	12.13	43,470	12.74	2,062	3,197	3,509	3.80	11.3
37	27,658	8.11	42,550	12.47	44,678	13.09	2,124	3,292	3,614	3.79	11.3
38	28,405	8.33	43,700	12.81	45,885	13.45	2,186	3,388	3,719	3.78	11.3
39	29,153	8.54	44,850	13.14	47,093	13.80	2,248	3,484	3,824	3.77	11.3
40	29,900	8.76	46,000	13.48	48,300	14.16	2,310	3,580	3,928	3.77	11.2
41	30,648	8.98	47,150	13.82	49,508	14.51	2,372	3,676	4,033	3.76	11.2
42	31,395	9.20	48,300	14.16	50,715	14.86	2,434	3,772	4,138	3.75	11.2
43	32,143	9.42	49,450	14.49	51,923	15.22	2,495	3,868	4,243	3.75	11.2
44	32,890	9.64	50,600	14.83	53,130	15.57	2,557	3,964	4,348	3.74	11.1
45	33,638	9.86	51,750	15.17	54,338	15.93	2,619	4,060	4,453	3.74	11.1
46	34,213	10.03	52,636	15.43	55,267	16.20	2,681	4,156	4,558	3.71	11.1
47	34,781	10.19	53,510	15.68	56,185	16.47	2,743	4,252	4,663	3.69	11.1
48	35,521	10.41	54,648	16.02	57,380	16.82	2,805	4,348	4,768	3.68	11.0
49	36,261	10.63	55,787	16.35	58,576	17.17	2,867	4,443	4,873	3.68	11.0
50	37,001	10.84	56,925	16.68	59,771	17.52	2,929	4,539	4,977	3.68	11.0
51	37,461	10.98	57,633	16.89	60,514	17.74	2,990	4,635	5,082	3.64	11.0
52	37,921	11.11	58,340	17.10	61,257	17.95	3,052	4,731	5,187	3.61	10.9
53	38,381	11.25	59,048	17.31	62,000	18.17	3,114	4,827	5,292	3.59	10.9
54	38,841	11.38	59,755	17.51	62,743	18.39	3,176	4,923	5,397	3.56	10.9
55	39,301	11.52	60,463	17.72	63,486	18.61	3,238	5,019	5,502	3.53	10.9
56	39,761	11.65	61,170	17.93	64,229	18.82	3,300	5,115	5,607	3.51	10.8
57	40,220	11.79	61,878	18.14	64,971	19.04	3,362	5,211	5,712	3.48	10.8
58	40,680	11.92	62,585	18.34	65,714	19.26	3,424	5,307	5,817	3.46	10.8
59	41,140	12.06	63,293	18.55	66,457	19.48	3,486	5,403	5,921	3.43	10.8
60	41,600	12.19	64,000	18.76	67,200	19.70	3,547	5,499	6,026	3.41	10.8
61	41,680	12.22	64,124	18.79	67,333	19.73	3,560	5,517	6,042	3.41	10.7
62	41,761	12.24	64,248	18.83	67,467	19.77	3,572	5,536	6,057	3.40	10.7
63	41,841	12.26	64,371	18.87	67,600	19.81	3,584	5,555	6,073	3.40	10.6
64	41,922	12.29	64,495	18.90	67,733	19.85	3,596	5,574	6,088	3.39	10.6
65	42,002	12.31	64,619	18.94	67,867	19.89	3,609	5,593	6,103	3.39	10.6
66	42,083	12.33	64,743	18.98	68,000	19.93	3,621	5,612	6,119	3.38	10.5
67	42,163	12.36	64,867	19.01	68,133	19.97	3,633	5,631	6,134	3.38	10.5
68	42,244	12.38	64,990	19.05	68,267	20.01	3,645	5,650	6,150	3.37	10.5
69	42,324	12.40	65,114	19.08	68,400	20.05	3,658	5,669	6,165	3.37	10.4
70	42,405	12.43	65,238	19.12	68,533	20.09	3,670	5,688	6,180	3.36	10.4
71	42,485	12.45	65,362	19.16	68,667	20.13	3,682	5,707	6,196	3.36	10.3
72	42,566	12.48	65,486	19.19	68,800	20.16	3,694	5,726	6,211	3.35	10.3
73	42,646	12.50	65,610	19.23	68,933	20.20	3,707	5,745	6,227	3.35	10.3
74	42,727	12.52	65,733	19.27	69,067	20.24	3,719	5,764	6,242	3.34	10.2
75	42,807	12.55	65,857	19.30	69,200	20.28	3,731	5,783	6,258	3.34	10.2
76	42,888	12.57	65,981	19.34	69,333	20.32	3,743	5,802	6,273	3.33	10.2
77	42,968	12.59	66,105	19.37	69,467	20.36	3,756	5,821	6,288	3.33	10.1
78	43,049	12.62	66,229	19.41	69,600	20.40	3,768	5,840	6,304	3.32	10.1
79	43,129	12.64	66,352	19.45	69,733	20.44	3,780	5,859	6,319	3.32	10.0
80	43,210	12.66	66,476	19.48	69,867	20.48	3,792	5,878	6,335	3.31	10.0
81	43,290	12.69	66,600	19.52	70,000	20.52	3,805	5,897	6,350	3.31	10.0

Note:

1. Capacity as rated: 0 ft. above sea level with Piping Length as Main Pipe (16.4 ft.) + Branch pipe (98.4 ft.) = 115 ft.  
0 ft. level difference between outdoor and indoor units.
2. Heating capacity rating obtained with air entering the indoor unit at 70°F dry bulb (DB) and 60°F wet bulb (WB), and outdoor ambient conditions of 47°F dry bulb (DB) and 43°F wet bulb (WB).
3. Wiring cable size must comply with the applicable local and national codes.
4. The specification may be subject to change without prior notice for purpose of improvement.
5. Sum of connected indoor units capacity is 24-81 kBtu/h.
6. At least two indoor units must be connected.
7. Combination tables with calculated SEER and HSPF are outside the scope of AHRI 1230 test standard.

**FOR PROPER SYSTEM OPERATION:**

1. At least two operable indoor units must be connected to the outdoor unit.
2. Total connected indoor unit nominal capacity must be a minimum 40% and a maximum of 133% of outdoor unit nominal capacity.
3. To calculate the connected total indoor unit nominal capacity, simply sum up the nominal capacities of all indoor units.
  - For high static duct and vertical-horizontal air handling indoor units, a 1.3 multiplier must first be applied before adding to the sum of other smaller indoor unit types.
  - When high static duct and/or vertical-horizontal air handling indoor units are the **only** connected indoor units, the multiplier is 1.2.

# COMBINATION TABLES

## LMU360HHV

The individual indoor unit capacity can be calculated based on the outdoor unit rated capacity as follows.<sup>1</sup>

$$\text{Individual Indoor Unit Combination Capacity (Qidu [Combi])} = \frac{\text{Outdoor Unit Rated Capacity (Qodu [Rated])} \times \text{Individual Indoor Unit Rated Capacity (Qidu [Rated])}{\text{Total Connected Indoor Unit Rated Capacity } (\sum \text{Qidu [Rated]})}$$

<sup>1</sup>To calculate the individual IDU capacity based on ODU corrected capacity, replace (Qodu [Rated]) with (Qodu [Corrected]) where (Qodu [Corrected]) is obtained from the capacity tables referencing design conditions.

Table 53: LMU360HHV with Non-Ducted Indoor Units – Rated Cooling Combination Table.

Total Indoor Unit Capacity (kBtu/h)	Cooling Capacity									EER	SEER
	Minimum		Rated		Maximum		Input (W)				
	Btu/h	kW	Btu/h	kW	Btu/h	kW	Minimum	Rated	Maximum		
18	11,700	3.43	18,000	5.28	19,800	5.80	718	1,112	1,174	16.2	21.9
19	12,350	3.62	19,000	5.57	20,900	6.13	761	1,179	1,271	16.1	21.9
20	13,000	3.81	20,000	5.86	22,000	6.45	804	1,246	1,367	16.1	21.8
21	13,650	4.00	21,000	6.15	23,100	6.77	847	1,314	1,464	16.0	21.8
22	14,300	4.19	22,000	6.45	24,200	7.09	891	1,382	1,560	15.9	21.7
23	14,950	4.38	23,000	6.74	25,300	7.42	936	1,451	1,657	15.9	21.7
24	15,600	4.57	24,000	7.03	26,400	7.74	981	1,520	1,753	15.8	21.6
25	16,250	4.76	25,000	7.33	27,500	8.06	1,028	1,593	1,849	15.7	21.6
26	16,900	4.95	26,000	7.62	28,600	8.38	1,075	1,667	1,946	15.6	21.5
27	17,550	5.14	27,000	7.91	29,700	8.70	1,123	1,740	2,042	15.5	21.5
28	18,200	5.33	28,000	8.21	30,800	9.03	1,170	1,813	2,139	15.4	21.4
29	18,850	5.52	29,000	8.50	31,900	9.35	1,217	1,887	2,235	15.4	21.4
30	19,500	5.72	30,000	8.79	33,000	9.67	1,265	1,960	2,332	15.3	21.3
31	20,150	5.91	31,000	9.09	34,100	9.99	1,312	2,033	2,428	15.2	21.3
32	20,800	6.10	32,000	9.38	35,200	10.32	1,359	2,107	2,525	15.2	21.2
33	21,450	6.29	33,000	9.67	36,300	10.64	1,406	2,180	2,621	15.1	21.2
34	22,100	6.48	34,000	9.96	37,400	10.96	1,454	2,253	2,718	15.1	21.1
35	22,750	6.67	35,000	10.26	38,500	11.28	1,501	2,327	2,814	15.0	21.1
36	23,400	6.86	36,000	10.55	39,600	11.43	1,548	2,400	2,910	15.0	21.0
37	23,804	6.98	36,622	10.73	39,644	11.62	1,594	2,471	2,980	14.8	21.0
38	24,209	7.10	37,244	10.92	40,289	11.81	1,640	2,543	3,050	14.6	20.9
39	24,613	7.21	37,867	11.10	40,933	12.00	1,686	2,614	3,119	14.5	20.9
40	25,018	7.33	38,489	11.28	41,578	12.19	1,732	2,685	3,189	14.3	20.8
41	25,422	7.45	39,111	11.46	42,222	12.37	1,778	2,757	3,258	14.2	20.8
42	25,827	7.57	39,733	11.65	42,867	12.56	1,825	2,828	3,328	14.0	20.8
43	26,231	7.69	40,356	11.83	43,511	12.75	1,871	2,899	3,397	13.9	20.7
44	26,636	7.81	40,978	12.01	44,156	12.94	1,917	2,971	3,467	13.8	20.7
45	27,040	7.92	41,600	12.19	44,800	13.13	1,963	3,042	3,536	13.7	20.6
46	27,444	8.04	42,222	12.37	45,444	13.32	2,009	3,113	3,606	13.6	20.6
47	27,849	8.16	42,844	12.56	46,089	13.51	2,055	3,185	3,675	13.5	20.6
48	28,253	8.28	43,467	12.74	46,733	13.70	2,101	3,256	3,745	13.3	20.5

Note:

1. Capacity as rated: 0 ft. above sea level with piping length as main pipe (16.4 ft.) + branch pipe (98.4 ft.) = 115 ft.  
0 ft. level difference between outdoor and indoor units.
2. Cooling capacity rating obtained with air entering the indoor unit at 80°F dry bulb (DB) and 67°F wet bulb (WB), and outdoor ambient conditions of 95°F dry bulb (DB) and 75°F wet bulb (WB).
3. Wiring cable size must comply with the applicable local and national codes.
4. The specification may be subject to change without prior notice for purpose of improvement.
5. Sum of connected indoor units' capacity is 18-48 kBtu/h.
6. At least two indoor units must be connected.

**FOR PROPER SYSTEM OPERATION:**

1. At least two operable indoor units must be connected to the outdoor unit.
2. Total connected indoor unit nominal capacity must be a minimum 40% and a maximum of 133% of outdoor unit nominal capacity.
3. To calculate the connected total indoor unit nominal capacity, simply sum up the nominal capacities of all indoor units.
  - For high static duct and vertical-horizontal air handling indoor units, a 1.3 multiplier must first be applied before adding to the sum of other smaller indoor unit types.
  - When high static duct and/or vertical-horizontal air handling indoor units are the **only** connected indoor units, the multiplier is 1.2.

# COMBINATION TABLES

## LMU360HHV

Table 54: LMU360HHV with Ducted Indoor Units – Rated Heating Combination Table.

Total Indoor Unit Capacity (kBtu/h)	Cooling Capacity									EER	SEER
	Minimum		Rated		Maximum		Input (W)				
	Btu/h	kW	Btu/h	kW	Btu/h	kW	Minimum	Rated	Maximum		
18	11,326	3.32	17,425	5.11	19,168	5.62	753	1,167	1,232	14.93	18.3
19	11,955	3.50	18,393	5.39	20,232	5.93	798	1,237	1,333	14.87	18.2
20	12,585	3.69	19,361	5.67	21,297	6.24	844	1,307	1,435	14.81	18.2
21	13,214	3.87	20,329	5.96	22,362	6.55	889	1,378	1,536	14.75	18.1
22	13,843	4.06	21,297	6.24	23,427	6.87	936	1,450	1,637	14.69	18.1
23	14,472	4.24	22,265	6.53	24,492	7.18	982	1,522	1,738	14.63	18.0
24	15,102	4.43	23,233	6.81	25,557	7.49	1,029	1,595	1,840	14.57	18.0
25	15,731	4.61	24,201	7.09	26,622	7.80	1,075	1,667	1,941	14.51	17.9
26	16,361	4.79	25,169	7.37	27,687	8.11	1,121	1,739	2,042	14.45	17.9
27	16,990	4.97	26,137	7.65	28,752	8.42	1,167	1,811	2,143	14.39	17.8
28	17,620	5.15	27,105	7.93	29,817	8.73	1,213	1,883	2,244	14.33	17.8
29	18,249	5.33	28,073	8.21	30,882	9.04	1,259	1,955	2,345	14.27	17.7
30	18,879	5.51	29,041	8.49	31,947	9.35	1,305	2,027	2,446	14.21	17.7
31	19,508	5.69	29,999	8.77	33,012	9.66	1,351	2,099	2,547	14.15	17.6
32	20,138	5.87	30,967	9.05	34,077	9.97	1,397	2,171	2,648	14.09	17.6
33	20,767	6.05	31,935	9.33	35,142	10.28	1,443	2,243	2,749	14.03	17.5
34	21,397	6.23	32,903	9.61	36,207	10.59	1,489	2,315	2,850	13.97	17.5
35	22,026	6.41	33,871	9.89	37,272	10.90	1,535	2,387	2,951	13.91	17.4
36	22,656	6.59	34,839	10.17	38,337	11.21	1,581	2,459	3,052	13.85	17.4
37	23,285	6.77	35,807	10.45	39,402	11.52	1,627	2,531	3,153	13.79	17.3
38	23,915	6.95	36,775	10.73	40,467	11.83	1,673	2,603	3,254	13.73	17.3
39	24,544	7.13	37,743	11.01	41,532	12.14	1,719	2,675	3,355	13.67	17.2
40	25,174	7.31	38,711	11.29	42,597	12.45	1,765	2,747	3,456	13.61	17.2
41	25,803	7.49	39,679	11.57	43,662	12.76	1,811	2,819	3,557	13.55	17.1
42	26,433	7.67	40,647	11.85	44,727	13.07	1,857	2,891	3,658	13.49	17.1
43	27,062	7.85	41,615	12.13	45,792	13.38	1,903	2,963	3,759	13.43	17.0
44	27,692	8.03	42,583	12.41	46,857	13.69	1,949	3,035	3,860	13.37	17.0
45	28,321	8.21	43,551	12.69	47,922	14.00	1,995	3,107	3,961	13.31	16.9
46	28,951	8.39	44,519	12.97	48,987	14.31	2,041	3,179	4,062	13.25	16.9
47	29,580	8.57	45,487	13.25	50,052	14.62	2,087	3,251	4,163	13.19	16.8
48	30,210	8.75	46,455	13.53	51,117	14.93	2,133	3,323	4,264	13.13	16.8

Note:

1. Capacity as rated: 0 ft. above sea level with piping length as main pipe (16.4 ft.) + branch pipe (98.4 ft.) = 115 ft.  
0 ft. level difference between outdoor and indoor units.
2. Cooling capacity rating obtained with air entering the indoor unit at 80°F dry bulb (DB) and 67°F wet bulb (WB), and outdoor ambient conditions of 95°F dry bulb (DB) and 75°F wet bulb (WB).
3. Wiring cable size must comply with the applicable local and national codes.
4. The specification may be subject to change without prior notice for purpose of improvement.
5. Sum of connected indoor units' capacity is 18-48 kBtu/h.
6. At least two indoor units must be connected.

**FOR PROPER SYSTEM OPERATION:**

1. At least two operable indoor units must be connected to the outdoor unit.
2. Total connected indoor unit nominal capacity must be a minimum 40% and a maximum of 133% of outdoor unit nominal capacity.
3. To calculate the connected total indoor unit nominal capacity, simply sum up the nominal capacities of all indoor units.
  - For high static duct and vertical-horizontal air handling indoor units, a 1.3 multiplier must first be applied before adding to the sum of other smaller indoor unit types.
  - When high static duct and/or vertical-horizontal air handling indoor units are the **only** connected indoor units, the multiplier is 1.2.

# COMBINATION TABLES

## LMU360HHV

Table 55: LMU360HHV with Mixed Indoor Units — Rated Cooling Combination Table.

Total Indoor Unit Capacity (kBtu/h)	Cooling Capacity									EER	SEER
	Minimum		Rated		Maximum		Input (W)				
	Btu/h	kW	Btu/h	kW	Btu/h	kW	Minimum	Rated	Maximum		
18	11,513	3.4	17,713	5.2	19,484	5.71	735	1,140	1,203	15.54	20.1
19	12,153	3.6	18,697	5.5	20,566	6.03	779	1,208	1,302	15.48	20.0
20	12,792	3.7	19,681	5.8	21,649	6.34	824	1,277	1,401	15.42	20.0
21	13,432	3.9	20,665	6.1	22,731	6.66	868	1,346	1,500	15.35	19.9
22	14,072	4.1	21,649	6.3	23,813	6.98	914	1,416	1,599	15.29	19.9
23	14,711	4.3	22,633	6.6	24,896	7.30	959	1,486	1,697	15.23	19.8
24	15,351	4.5	23,617	6.9	25,978	7.61	1,005	1,558	1,796	15.16	19.8
25	15,992	4.7	24,601	7.2	27,060	7.93	1,053	1,633	1,883	14.96	19.8
26	16,632	4.9	25,585	7.5	28,143	8.25	1,102	1,708	1,970	14.94	19.7
27	17,272	5.0	26,569	7.8	29,225	8.57	1,150	1,783	2,056	14.85	19.7
28	17,912	5.2	27,553	8.0	30,308	8.89	1,199	1,858	2,143	14.76	19.6
29	18,552	5.4	28,537	8.3	31,390	9.21	1,247	1,933	2,229	14.68	19.6
30	19,192	5.6	29,521	8.6	32,473	9.53	1,296	2,008	2,316	14.60	19.5
31	19,832	5.8	30,505	8.9	33,555	9.85	1,344	2,084	2,403	14.53	19.5
32	20,472	6.0	31,489	9.2	34,638	10.17	1,393	2,159	2,489	14.47	19.5
33	21,112	6.13	32,473	9.43	35,720	10.49	1,441	2,234	2,576	14.41	19.4
34	21,752	6.31	33,457	9.71	36,803	10.81	1,490	2,309	2,663	14.35	19.4
35	22,392	6.49	34,441	9.99	37,885	11.13	1,538	2,384	2,749	14.30	19.3
36	23,032	6.67	35,425	10.26	38,968	11.45	1,587	2,459	2,836	14.25	19.3
37	23,672	6.79	36,409	10.44	40,050	11.77	1,634	2,532	2,910	14.07	19.2
38	24,312	6.90	37,393	10.62	41,133	12.09	1,681	2,605	2,985	13.91	19.2
39	24,952	7.02	38,377	10.80	42,215	12.41	1,728	2,679	3,059	13.76	19.1
40	25,592	7.14	39,361	10.98	43,298	12.73	1,775	2,752	3,134	13.62	19.1
41	26,232	7.26	40,345	11.16	44,380	13.05	1,822	2,825	3,208	13.48	19.1
42	26,872	7.37	41,329	11.34	45,463	13.37	1,870	2,898	3,283	13.36	19.0
43	27,512	7.49	42,313	11.53	46,545	13.69	1,917	2,971	3,357	13.24	19.0
44	28,152	7.61	43,297	11.71	47,628	14.01	1,964	3,044	3,432	13.12	19.0
45	28,792	7.73	44,281	11.89	48,710	14.33	2,011	3,117	3,506	13.01	18.9
46	29,432	7.84	45,265	12.07	49,793	14.65	2,058	3,190	3,581	12.91	18.9
47	30,072	7.96	46,249	12.25	50,875	14.97	2,105	3,263	3,656	12.81	18.8
48	30,712	8.08	47,233	12.43	51,958	15.29	2,153	3,336	3,730	12.71	18.8

Note:

1. Capacity as rated: 0 ft. above sea level with piping length as main pipe (16.4 ft.) + branch pipe (98.4 ft.) = 115 ft.  
0 ft. level difference between outdoor and indoor units.
2. Cooling capacity rating obtained with air entering the indoor unit at 80°F dry bulb (DB) and 67°F wet bulb (WB), and outdoor ambient conditions of 95°F dry bulb (DB) and 75°F wet bulb (WB).
3. Wiring cable size must comply with the applicable local and national codes.
4. The specification may be subject to change without prior notice for purpose of improvement.
5. Sum of connected indoor units' capacity is 18-48 kBtu/h.
6. At least two indoor units must be connected.



**FOR PROPER SYSTEM OPERATION:**

1. At least two operable indoor units must be connected to the outdoor unit.
2. Total connected indoor unit nominal capacity must be a minimum 40% and a maximum of 133% of outdoor unit nominal capacity.
3. To calculate the connected total indoor unit nominal capacity, simply sum up the nominal capacities of all indoor units.
  - For high static duct and vertical-horizontal air handling indoor units, a 1.3 multiplier must first be applied before adding to the sum of other smaller indoor unit types.
  - When high static duct and/or vertical-horizontal air handling indoor units are the **only** connected indoor units, the multiplier is 1.2.

# COMBINATION TABLES

## LMU360HHV

Table 56: LMU360HHV with Non-Ducted Indoor Units — Rated Heating Combination Table.

Total Indoor Unit Capacity (kBtu/h)	Heating Capacity									EER	SEER
	Minimum		Rated		Maximum		Input (W)				
	Btu/h	kW	Btu/h	kW	Btu/h	kW	Minimum	Rated	Maximum		
18	13,455	3.94	20,700	6.07	21,735	6.37	963	1,492	1,641	4.1	12.1
19	14,203	4.16	21,850	6.40	22,943	6.72	1,016	1,574	1,732	4.1	12.1
20	14,950	4.38	23,000	6.74	24,150	7.08	1,069	1,656	1,822	4.1	12.0
21	15,698	4.60	24,150	7.08	25,358	7.43	1,122	1,738	1,912	4.1	12.0
22	16,445	4.82	25,300	7.42	26,565	7.79	1,174	1,820	2,002	4.1	12.0
23	17,193	5.04	26,450	7.75	27,773	8.14	1,227	1,902	2,092	4.1	11.9
24	17,940	5.26	27,600	8.09	28,980	8.49	1,280	1,984	2,182	4.1	11.9
25	18,688	5.48	28,750	8.43	30,188	8.85	1,331	2,063	2,258	4.1	11.9
26	19,435	5.70	29,900	8.76	31,395	9.20	1,382	2,142	2,334	4.1	11.8
27	20,183	5.92	31,050	9.10	32,603	9.56	1,433	2,221	2,410	4.1	11.8
28	20,930	6.13	32,200	9.44	33,810	9.91	1,484	2,300	2,486	4.1	11.8
29	21,678	6.35	33,350	9.77	35,018	10.26	1,535	2,379	2,562	4.1	11.7
30	22,425	6.57	34,500	10.11	36,225	10.62	1,585	2,457	2,638	4.1	11.7
31	23,173	6.79	35,650	10.45	37,433	10.97	1,636	2,536	2,714	4.1	11.7
32	23,920	7.01	36,800	10.79	38,640	11.32	1,687	2,615	2,790	4.1	11.6
33	24,668	7.23	37,950	11.12	39,848	11.68	1,738	2,694	2,866	4.1	11.6
34	25,415	7.45	39,100	11.46	41,055	12.03	1,789	2,773	2,942	4.1	11.6
35	26,163	7.67	40,250	11.80	42,263	12.39	1,840	2,852	3,018	4.1	11.5
36	26,650	7.81	41,000	12.02	43,000	12.60	1,891	2,931	3,094	4.1	11.5
37	27,020	7.92	41,569	12.18	43,600	12.78	1,932	2,994	3,164	4.1	11.5
38	27,390	8.03	42,138	12.35	44,200	12.95	1,973	3,058	3,235	4.0	11.4
39	27,759	8.14	42,707	12.52	44,800	13.13	2,014	3,121	3,305	4.0	11.4
40	28,129	8.24	43,276	12.68	45,400	13.31	2,055	3,185	3,376	4.0	11.4
41	28,499	8.35	43,844	12.85	46,000	13.48	2,096	3,249	3,446	4.0	11.4
42	28,869	8.46	44,413	13.02	46,600	13.66	2,137	3,312	3,517	3.9	11.3
43	29,238	8.57	44,982	13.18	47,200	13.83	2,178	3,376	3,588	3.9	11.3
44	29,608	8.68	45,551	13.35	47,800	14.01	2,219	3,439	3,658	3.9	11.3
45	29,978	8.79	46,120	13.52	48,400	14.19	2,260	3,503	3,729	3.9	11.2
46	30,348	8.89	46,689	13.68	49,000	14.36	2,301	3,566	3,799	3.8	11.2
47	30,718	9.00	47,258	13.85	49,600	14.54	2,342	3,630	3,870	3.8	11.2
48	31,087	9.11	47,827	14.02	50,200	14.71	2,383	3,693	3,941	3.8	11.2

Note:

1. Capacity as rated: 0 ft. above sea level with piping length as main pipe (16.4 ft.) + branch pipe (98.4 ft.) = 115 ft.  
0 ft. level difference between outdoor and indoor units.
2. Cooling capacity rating obtained with air entering the indoor unit at 80°F dry bulb (DB) and 67°F wet bulb (WB), and outdoor ambient conditions of 95°F dry bulb (DB) and 75°F wet bulb (WB).
3. Wiring cable size must comply with the applicable local and national codes.
4. The specification may be subject to change without prior notice for purpose of improvement.
5. Sum of connected indoor units' capacity is 18-48 kBtu/h.
6. At least two indoor units must be connected.

**FOR PROPER SYSTEM OPERATION:**

1. At least two operable indoor units must be connected to the outdoor unit.
2. Total connected indoor unit nominal capacity must be a minimum 40% and a maximum of 133% of outdoor unit nominal capacity.
3. To calculate the connected total indoor unit nominal capacity, simply sum up the nominal capacities of all indoor units.
  - For high static duct and vertical-horizontal air handling indoor units, a 1.3 multiplier must first be applied before adding to the sum of other smaller indoor unit types.
  - When high static duct and/or vertical-horizontal air handling indoor units are the **only** connected indoor units, the multiplier is 1.2.

# COMBINATION TABLES

## LMU360HHV

Table 57: LMU360HHV with Ducted Indoor Units — Rated Heating Combination Table.

Total Indoor Unit Capacity (kBtu/h)	Heating Capacity									EER	SEER
	Minimum		Rated		Maximum		Input (W)				
	Btu/h	kW	Btu/h	kW	Btu/h	kW	Minimum	Rated	Maximum		
18	13,127	3.85	20,195	5.92	21,205	6.21	1,167	1,809	1,990	3.27	11.0
19	13,856	4.06	21,317	6.25	22,383	6.56	1,231	1,908	2,099	3.27	11.0
20	14,585	4.27	22,439	6.58	23,561	6.91	1,295	2,008	2,209	3.28	11.0
21	15,315	4.49	23,561	6.91	24,739	7.25	1,359	2,107	2,318	3.28	11.0
22	16,044	4.70	24,683	7.23	25,917	7.60	1,424	2,207	2,427	3.28	10.9
23	16,773	4.92	25,805	7.56	27,095	7.94	1,488	2,306	2,536	3.28	10.9
24	17,502	5.13	26,927	7.89	28,273	8.29	1,552	2,405	2,645	3.28	10.9
25	18,232	5.34	28,049	8.22	29,451	8.63	1,613	2,500	2,739	3.29	10.8
26	18,961	5.56	29,171	8.55	30,629	8.98	1,675	2,596	2,832	3.29	10.8
27	19,690	5.77	30,293	8.88	31,807	9.32	1,737	2,692	2,926	3.30	10.8
28	20,420	5.98	31,415	9.21	32,985	9.67	1,798	2,787	3,019	3.30	10.7
29	21,149	6.20	32,537	9.54	34,163	10.01	1,860	2,883	3,113	3.31	10.7
30	21,878	6.41	33,659	9.86	35,341	10.36	1,922	2,979	3,206	3.31	10.7
31	22,607	6.63	34,780	10.19	36,520	10.70	1,983	3,074	3,300	3.32	10.7
32	23,337	6.84	35,902	10.52	37,698	11.05	2,045	3,170	3,393	3.32	10.6
33	24,066	7.05	37,024	10.85	38,876	11.39	2,107	3,266	3,486	3.32	10.6
34	24,795	7.27	38,146	11.18	40,054	11.74	2,169	3,361	3,580	3.33	10.6
35	25,524	7.48	39,268	11.51	41,232	12.08	2,230	3,457	3,673	3.33	10.5
36	26,000	7.62	40,000	11.72	42,000	12.31	2,292	3,553	3,767	3.30	10.5
37	26,384	7.73	40,591	11.90	42,600	12.49	2,327	3,607	3,826	3.30	10.5
38	26,768	7.85	41,182	12.07	43,200	12.66	2,362	3,661	3,885	3.30	10.4
39	27,153	7.96	41,773	12.24	43,800	12.84	2,397	3,716	3,944	3.29	10.4
40	27,537	8.07	42,364	12.42	44,400	13.01	2,433	3,770	4,004	3.29	10.4
41	27,921	8.18	42,956	12.59	45,000	13.19	2,468	3,825	4,063	3.29	10.4
42	28,305	8.30	43,547	12.76	45,600	13.36	2,503	3,879	4,122	3.29	10.3
43	28,690	8.41	44,138	12.94	46,200	13.54	2,538	3,934	4,181	3.29	10.3
44	29,074	8.52	44,729	13.11	46,800	13.72	2,573	3,988	4,240	3.29	10.3
45	29,458	8.63	45,320	13.28	47,400	13.89	2,608	4,043	4,299	3.29	10.3
46	29,842	8.75	45,911	13.46	48,000	14.07	2,643	4,097	4,359	3.28	10.2
47	30,226	8.86	46,502	13.63	48,600	14.24	2,679	4,152	4,418	3.28	10.2
48	30,611	8.97	47,093	13.80	49,200	14.42	2,714	4,206	4,477	3.28	10.2

Note:

1. Capacity as rated: 0 ft. above sea level with piping length as main pipe (16.4 ft.) + branch pipe (98.4 ft.) = 115 ft.  
0 ft. level difference between outdoor and indoor units.
2. Cooling capacity rating obtained with air entering the indoor unit at 80°F dry bulb (DB) and 67°F wet bulb (WB), and outdoor ambient conditions of 95°F dry bulb (DB) and 75°F wet bulb (WB).
3. Wiring cable size must comply with the applicable local and national codes.
4. The specification may be subject to change without prior notice for purpose of improvement.
5. Sum of connected indoor units' capacity is 18-48 kBtu/h.
6. At least two indoor units must be connected.

**FOR PROPER SYSTEM OPERATION:**

1. At least two operable indoor units must be connected to the outdoor unit.
2. Total connected indoor unit nominal capacity must be a minimum 40% and a maximum of 133% of outdoor unit nominal capacity.
3. To calculate the connected total indoor unit nominal capacity, simply sum up the nominal capacities of all indoor units.
  - For high static duct and vertical-horizontal air handling indoor units, a 1.3 multiplier must first be applied before adding to the sum of other smaller indoor unit types.
  - When high static duct and/or vertical-horizontal air handling indoor units are the **only** connected indoor units, the multiplier is 1.2.

# COMBINATION TABLES

## LMU360HHV

Table 58: LMU360HHV with Mixed Indoor Units — Rated Heating Combination Table.

Total Indoor Unit Capacity (kBtu/h)	Heating Capacity									EER	SEER
	Minimum		Rated		Maximum		Input (W)				
	Btu/h	kW	Btu/h	kW	Btu/h	kW	Minimum	Rated	Maximum		
18	13,291	3.90	20,448	5.99	21,470	6.29	1,065	1,650	1,815	3.63	11.6
19	14,029	4.11	21,584	6.33	22,663	6.64	1,123	1,741	1,915	3.63	11.5
20	14,768	4.33	22,720	6.66	23,855	6.99	1,182	1,832	2,015	3.63	11.5
21	15,506	4.54	23,855	6.99	25,048	7.34	1,241	1,923	2,115	3.64	11.5
22	16,244	4.76	24,991	7.32	26,241	7.69	1,299	2,013	2,215	3.64	11.4
23	16,983	4.98	26,127	7.66	27,434	8.04	1,357	2,104	2,314	3.64	11.4
24	17,721	5.19	27,263	7.99	28,627	8.39	1,416	2,194	2,414	3.64	11.4
25	18,460	5.41	28,399	8.32	29,819	8.74	1,472	2,282	2,499	3.65	11.4
26	19,198	5.63	29,535	8.66	31,012	9.09	1,528	2,369	2,583	3.65	11.3
27	19,936	5.84	30,671	8.99	32,205	9.44	1,585	2,456	2,668	3.66	11.3
28	20,675	6.06	31,807	9.32	33,398	9.79	1,641	2,544	2,753	3.67	11.3
29	21,413	6.28	32,943	9.66	34,590	10.14	1,697	2,631	2,837	3.67	11.2
30	22,152	6.49	34,079	9.99	35,783	10.49	1,754	2,718	2,922	3.67	11.2
31	22,890	6.71	35,215	10.32	36,976	10.84	1,810	2,805	3,007	3.68	11.2
32	23,628	6.93	36,351	10.65	38,169	11.19	1,866	2,893	3,091	3.68	11.1
33	24,367	7.14	37,487	10.99	39,362	11.54	1,922	2,980	3,176	3.69	11.1
34	25,105	7.36	38,623	11.32	40,554	11.89	1,979	3,067	3,261	3.69	11.1
35	25,843	7.57	39,759	11.65	41,747	12.24	2,035	3,154	3,345	3.69	11.0
36	26,325	7.72	40,500	11.87	42,500	12.46	2,091	3,242	3,430	3.70	11.0
37	26,702	7.83	41,080	12.04	43,100	12.63	2,129	3,301	3,495	3.65	11.0
38	27,079	7.94	41,660	12.21	43,700	12.81	2,168	3,360	3,560	3.63	10.9
39	27,456	8.05	42,240	12.38	44,300	12.98	2,206	3,419	3,625	3.62	10.9
40	27,833	8.16	42,820	12.55	44,900	13.16	2,244	3,478	3,690	3.61	10.9
41	28,210	8.27	43,400	12.72	45,500	13.34	2,282	3,537	3,755	3.60	10.9
42	28,587	8.38	43,980	12.89	46,100	13.51	2,320	3,596	3,819	3.58	10.8
43	28,964	8.49	44,560	13.06	46,700	13.69	2,358	3,655	3,884	3.57	10.8
44	29,341	8.60	45,140	13.23	47,300	13.86	2,396	3,714	3,949	3.56	10.8
45	29,718	8.71	45,720	13.40	47,900	14.04	2,434	3,773	4,014	3.55	10.8
46	30,095	8.82	46,300	13.57	48,500	14.21	2,472	3,832	4,079	3.54	10.7
47	30,472	8.93	46,880	13.74	49,100	14.39	2,510	3,891	4,144	3.53	10.7
48	30,849	9.04	47,460	13.91	49,700	14.57	2,548	3,950	4,209	3.52	10.7

Note:

1. Capacity as rated: 0 ft. above sea level with piping length as main pipe (16.4 ft.) + branch pipe (98.4 ft.) = 115 ft.  
0 ft. level difference between outdoor and indoor units.
2. Cooling capacity rating obtained with air entering the indoor unit at 80°F dry bulb (DB) and 67°F wet bulb (WB), and outdoor ambient conditions of 95°F dry bulb (DB) and 75°F wet bulb (WB).
3. Wiring cable size must comply with the applicable local and national codes.
4. The specification may be subject to change without prior notice for purpose of improvement.
5. Sum of connected indoor units' capacity is 18-48 kBtu/h.
6. At least two indoor units must be connected.

# COMBINATION TABLES

## LMU420HHV

The individual indoor unit capacity can be calculated based on the outdoor unit rated capacity as follows.<sup>1</sup>

$$\text{Individual Indoor Unit Combination Capacity (Qidu [Combi])} = \frac{\text{Outdoor Unit Rated Capacity (Qodu [Rated])} \times \text{Individual Indoor Unit Rated Capacity (Qidu [Rated])}{\text{Total Connected Indoor Unit Rated Capacity } (\sum \text{Qidu [Rated]})}$$

<sup>1</sup>To calculate the individual IDU capacity based on ODU corrected capacity, replace (Qodu [Rated]) with (Qodu [Corrected]) where (Qodu [Corrected]) is obtained from the capacity tables referencing design conditions.

Table 59: LMU420HHV with Non-Ducted Indoor Units – Rated Cooling Combination Table.

Total Indoor Unit Capacity (kBtu/h)	Cooling Capacity									EER	SEER
	Minimum		Rated		Maximum		Input (W)				
	Btu/h	kW	Btu/h	kW	Btu/h	kW	Minimum	Rated	Maximum		
18	11,700	3.43	18,000	5.28	19,800	5.80	718	1,112	1,174	16.2	21.9
19	12,350	3.62	19,000	5.57	20,900	6.13	761	1,179	1,271	16.1	21.9
20	13,000	3.81	20,000	5.86	22,000	6.45	804	1,246	1,367	16.1	21.8
21	13,650	4.00	21,000	6.15	23,100	6.77	847	1,314	1,464	16.0	21.8
22	14,300	4.19	22,000	6.45	24,200	7.09	891	1,382	1,560	15.9	21.7
23	14,950	4.38	23,000	6.74	25,300	7.42	936	1,451	1,657	15.9	21.7
24	15,600	4.57	24,000	7.03	26,400	7.74	981	1,520	1,753	15.8	21.6
25	16,250	4.76	25,000	7.33	27,500	8.06	1,034	1,602	1,843	15.6	21.5
26	16,900	4.95	26,000	7.62	28,600	8.38	1,087	1,684	1,934	15.4	21.5
27	17,550	5.14	27,000	7.91	29,700	8.70	1,140	1,767	2,024	15.3	21.4
28	18,200	5.33	28,000	8.21	30,800	9.03	1,193	1,849	2,115	15.1	21.4
29	18,850	5.52	29,000	8.50	31,900	9.35	1,246	1,931	2,205	15.0	21.3
30	19,500	5.72	30,000	8.79	33,000	9.67	1,299	2,013	2,296	14.9	21.2
31	20,150	5.91	31,000	9.09	34,100	9.99	1,352	2,096	2,386	14.8	21.2
32	20,800	6.10	32,000	9.38	35,200	10.32	1,405	2,178	2,477	14.7	21.1
33	21,450	6.29	33,000	9.67	36,300	10.64	1,458	2,260	2,567	14.6	21.1
34	22,100	6.48	34,000	9.96	37,400	10.96	1,511	2,342	2,658	14.5	21.0
35	22,750	6.67	35,000	10.26	38,500	11.28	1,564	2,424	2,748	14.4	20.9
36	23,400	6.86	36,000	10.55	39,600	11.61	1,617	2,507	2,839	14.4	20.9
37	24,050	7.05	37,000	10.84	40,700	11.93	1,670	2,589	2,929	14.3	20.8
38	24,700	7.24	38,000	11.14	41,800	12.25	1,723	2,671	3,019	14.2	20.7
39	25,350	7.43	39,000	11.43	42,900	12.57	1,776	2,753	3,110	14.2	20.7
40	26,000	7.62	40,000	11.72	44,000	12.90	1,829	2,836	3,200	14.1	20.6
41	26,650	7.81	41,000	12.02	45,100	13.22	1,882	2,918	3,291	14.1	20.6
42	27,300	8.00	42,000	12.31	46,000	13.48	1,935	3,000	3,381	14.0	20.5
43	27,667	8.11	42,564	12.47	46,564	13.65	1,979	3,067	3,449	13.9	20.5
44	28,033	8.22	43,128	12.64	47,128	13.81	2,022	3,134	3,518	13.8	20.4
45	28,400	8.32	43,692	12.81	47,692	13.98	2,065	3,201	3,586	13.7	20.4
46	28,767	8.43	44,256	12.97	48,256	14.14	2,108	3,268	3,654	13.5	20.4
47	29,133	8.54	44,821	13.14	48,821	14.31	2,151	3,335	3,722	13.4	20.3
48	29,500	8.65	45,385	13.30	49,385	14.47	2,195	3,402	3,790	13.3	20.3
49	29,867	8.75	45,949	13.47	49,949	14.64	2,238	3,468	3,858	13.2	20.3
50	30,233	8.86	46,513	13.63	50,513	14.80	2,281	3,535	3,927	13.2	20.2
51	30,600	8.97	47,077	13.80	51,077	14.97	2,324	3,602	3,995	13.1	20.2
52	30,967	9.08	47,641	13.96	51,641	15.14	2,367	3,669	4,063	13.0	20.2
53	31,333	9.18	48,205	14.13	52,205	15.30	2,410	3,736	4,131	12.9	20.1
54	31,700	9.29	48,769	14.29	52,769	15.47	2,454	3,803	4,199	12.8	20.1
55	32,067	9.40	49,333	14.46	53,333	15.63	2,497	3,870	4,268	12.7	20.1
56	32,433	9.51	49,897	14.62	53,897	15.80	2,540	3,937	4,336	12.7	20.0

Note:

- Capacity as rated: 0 ft. above sea level with piping length as main pipe (16.4 ft.) + branch pipe (98.4 ft.) = 115 ft.  
0 ft. level difference between outdoor and indoor units.
- Cooling capacity rating obtained with air entering the indoor unit at 80°F dry bulb (DB) and 67°F wet bulb (WB), and outdoor ambient conditions of 95°F dry bulb (DB) and 75°F wet bulb (WB).

- Wiring cable size must comply with the applicable local and national codes.
- The specification may be subject to change without prior notice for purpose of improvement.
- Sum of connected indoor units' capacity is 18-48 kBtu/h.
- At least two indoor units must be connected.

**FOR PROPER SYSTEM OPERATION:**

1. At least two operable indoor units must be connected to the outdoor unit.
2. Total connected indoor unit nominal capacity must be a minimum 40% and a maximum of 133% of outdoor unit nominal capacity.
3. To calculate the connected total indoor unit nominal capacity, simply sum up the nominal capacities of all indoor units.
  - For high static duct and vertical-horizontal air handling indoor units, a 1.3 multiplier must first be applied before adding to the sum of other smaller indoor unit types.
  - When high static duct and/or vertical-horizontal air handling indoor units are the **only** connected indoor units, the multiplier is 1.2.

# COMBINATION TABLES

## LMU420HHV

Table 60: LMU420HHV with Ducted Indoor Units — Rated Heating Combination Table.

Total Indoor Unit Capacity (kBtu/h)	Cooling Capacity									EER	SEER
	Minimum		Rated		Maximum		Input (W)				
	Btu/h	kW	Btu/h	kW	Btu/h	kW	Minimum	Rated	Maximum		
18	11,700	3.43	18,000	5.28	19,800	5.80	773	1,198	1,265	15.03	20.3
19	12,350	3.62	19,000	5.57	20,900	6.13	819	1,269	1,368	14.97	20.3
20	13,000	3.81	20,000	5.86	22,000	6.45	866	1,342	1,472	14.91	20.2
21	13,650	4.00	21,000	6.15	23,100	6.77	913	1,415	1,576	14.84	20.2
22	14,300	4.19	22,000	6.45	24,200	7.09	960	1,488	1,680	14.78	20.1
23	14,950	4.38	23,000	6.74	25,300	7.42	1,008	1,562	1,784	14.72	20.1
24	15,600	4.57	24,000	7.03	26,400	7.74	1,056	1,637	1,888	14.66	20.0
25	16,255	4.76	25,008	7.33	27,509	8.06	1,113	1,725	1,981	14.49	20.0
26	16,910	4.96	26,016	7.62	28,618	8.39	1,170	1,814	2,074	14.34	19.9
27	17,566	5.15	27,024	7.92	29,726	8.71	1,227	1,903	2,168	14.20	19.8
28	18,221	5.34	28,032	8.22	30,835	9.04	1,285	1,991	2,261	14.08	19.8
29	18,876	5.53	29,040	8.51	31,944	9.36	1,342	2,080	2,354	13.96	19.7
30	19,531	5.72	30,048	8.81	33,053	9.69	1,399	2,168	2,447	13.86	19.7
31	20,186	5.92	31,056	9.10	34,162	10.01	1,456	2,257	2,540	13.76	19.6
32	20,842	6.11	32,064	9.40	35,270	10.34	1,513	2,345	2,634	13.67	19.6
33	21,497	6.30	33,072	9.69	36,379	10.66	1,570	2,434	2,727	13.59	19.5
34	22,152	6.49	34,080	9.99	37,488	10.99	1,627	2,522	2,820	13.51	19.5
35	22,807	6.68	35,088	10.28	38,597	11.31	1,684	2,611	2,913	13.44	19.4
36	23,462	6.88	36,096	10.58	39,706	11.64	1,742	2,699	3,007	13.37	19.3
37	24,118	7.07	37,104	10.87	40,814	11.96	1,799	2,788	3,100	13.31	19.3
38	24,773	7.26	38,112	11.17	41,923	12.29	1,856	2,877	3,193	13.25	19.2
39	25,428	7.45	39,120	11.47	43,032	12.61	1,913	2,965	3,286	13.19	19.2
40	26,083	7.64	40,128	11.76	44,141	12.94	1,970	3,054	3,379	13.14	19.1
41	26,738	7.84	41,136	12.06	45,250	13.26	2,027	3,142	3,473	13.09	19.1
42	27,393	8.03	42,144	12.35	46,359	13.58	2,084	3,231	3,566	13.04	19.0
43	27,627	8.10	42,503	12.46	46,497	13.63	2,131	3,303	3,641	12.87	19.0
44	27,953	8.19	43,005	12.60	46,995	13.77	2,177	3,375	3,717	12.74	18.9
45	28,280	8.29	43,508	12.75	47,492	13.92	2,224	3,447	3,792	12.62	18.9
46	28,607	8.38	44,010	12.90	47,990	14.06	2,270	3,519	3,867	12.51	18.9
47	28,933	8.48	44,513	13.05	48,487	14.21	2,317	3,591	3,943	12.40	18.8
48	29,260	8.58	45,015	13.19	48,985	14.36	2,363	3,663	4,018	12.29	18.8
49	29,587	8.67	45,518	13.34	49,482	14.50	2,410	3,735	4,093	12.19	18.8
50	29,913	8.77	46,021	13.49	49,979	14.65	2,456	3,807	4,169	12.09	18.8
51	30,240	8.86	46,523	13.64	50,477	14.79	2,503	3,879	4,244	11.99	18.7
52	30,567	8.96	47,026	13.78	50,974	14.94	2,549	3,951	4,319	11.90	18.7
53	30,893	9.05	47,528	13.93	51,472	15.09	2,596	4,024	4,395	11.81	18.7
54	31,220	9.15	48,031	14.08	51,969	15.23	2,642	4,096	4,470	11.73	18.6
55	31,547	9.25	48,533	14.22	52,467	15.38	2,689	4,168	4,545	11.65	18.6
56	31,873	9.34	49,036	14.37	52,964	15.52	2,735	4,240	4,621	11.57	18.6

Note:

1. Capacity as rated: 0 ft. above sea level with piping length as main pipe (16.4 ft.) + branch pipe (98.4 ft.) = 115 ft.  
0 ft. level difference between outdoor and indoor units.
2. Cooling capacity rating obtained with air entering the indoor unit at 80°F dry bulb (DB) and 67°F wet bulb (WB), and outdoor ambient conditions of 95°F dry bulb (DB) and 75°F wet bulb (WB).
3. Wiring cable size must comply with the applicable local and national codes.
4. The specification may be subject to change without prior notice for purpose of improvement.
5. Sum of connected indoor units' capacity is 18-48 kBtu/h.
6. At least two indoor units must be connected.

**FOR PROPER SYSTEM OPERATION:**

1. At least two operable indoor units must be connected to the outdoor unit.
2. Total connected indoor unit nominal capacity must be a minimum 40% and a maximum of 133% of outdoor unit nominal capacity.
3. To calculate the connected total indoor unit nominal capacity, simply sum up the nominal capacities of all indoor units.
  - For high static duct and vertical-horizontal air handling indoor units, a 1.3 multiplier must first be applied before adding to the sum of other smaller indoor unit types.
  - When high static duct and/or vertical-horizontal air handling indoor units are the **only** connected indoor units, the multiplier is 1.2.

# COMBINATION TABLES

## LMU420HHV

Table 61: LMU420HHV with Mixed Indoor Units — Rated Cooling Combination Table.

Total Indoor Unit Capacity (kBtu/h)	Cooling Capacity									EER	SEER
	Minimum		Rated		Maximum		Input (W)				
	Btu/h	kW	Btu/h	kW	Btu/h	kW	Minimum	Rated	Maximum		
18	11,700	3.4	18,000	5.3	19,800	5.80	745	1,155	1,219	15.58	21.1
19	12,350	3.6	19,000	5.6	20,900	6.13	790	1,224	1,320	15.52	21.1
20	13,000	3.8	20,000	5.9	22,000	6.45	835	1,294	1,420	15.46	21.0
21	13,650	4.0	21,000	6.2	23,100	6.77	880	1,364	1,520	15.39	21.0
22	14,300	4.2	22,000	6.4	24,200	7.09	926	1,435	1,620	15.33	20.9
23	14,950	4.4	23,000	6.7	25,300	7.42	972	1,506	1,720	15.27	20.9
24	15,600	4.6	24,000	7.0	26,400	7.74	1,018	1,578	1,820	15.20	20.8
25	16,253	4.8	25,004	7.3	27,504	8.06	1,073	1,664	1,912	15.03	20.8
26	16,905	5.0	26,008	7.6	28,609	8.38	1,129	1,749	2,004	14.87	20.7
27	17,558	5.1	27,012	7.9	29,713	8.71	1,184	1,835	2,096	14.72	20.6
28	18,210	5.3	28,016	8.2	30,818	9.03	1,239	1,920	2,188	14.59	20.6
29	18,863	5.5	29,020	8.5	31,922	9.36	1,294	2,005	2,280	14.47	20.5
30	19,516	5.7	30,024	8.8	33,026	9.68	1,349	2,091	2,371	14.36	20.5
31	20,168	5.9	31,028	9.1	34,131	10.00	1,404	2,176	2,463	14.26	20.4
32	20,821	6.1	32,032	9.4	35,235	10.33	1,459	2,262	2,555	14.16	20.3
33	21,473	6.29	33,036	9.68	36,340	10.65	1,514	2,347	2,647	14.08	20.3
34	22,126	6.48	34,040	9.98	37,444	10.97	1,569	2,432	2,739	13.99	20.2
35	22,779	6.68	35,044	10.27	38,548	11.30	1,624	2,518	2,831	13.92	20.2
36	23,431	6.87	36,048	10.57	39,653	11.62	1,679	2,603	2,923	13.85	20.1
37	24,084	7.06	37,052	10.86	40,757	11.95	1,734	2,688	3,014	13.78	20.0
38	24,736	7.25	38,056	11.15	41,862	12.27	1,790	2,774	3,106	13.72	20.0
39	25,389	7.44	39,060	11.45	42,966	12.59	1,845	2,859	3,198	13.66	19.9
40	26,042	7.63	40,064	11.74	44,070	12.92	1,900	2,945	3,290	13.61	19.9
41	26,694	7.82	41,068	12.04	45,175	13.24	1,955	3,030	3,382	13.55	19.8
42	27,300	8.00	42,000	12.31	46,000	13.48	2,010	3,111	3,474	13.50	19.8
43	27,647	8.10	42,533	12.47	46,531	13.64	2,055	3,185	3,545	13.35	19.7
44	27,993	8.20	43,067	12.62	47,062	13.79	2,100	3,254	3,617	13.23	19.7
45	28,340	8.31	43,600	12.78	47,592	13.95	2,144	3,324	3,689	13.12	19.7
46	28,687	8.41	44,133	12.93	48,123	14.10	2,189	3,393	3,761	13.01	19.6
47	29,033	8.51	44,667	13.09	48,654	14.26	2,234	3,463	3,832	12.90	19.6
48	29,380	8.61	45,200	13.25	49,185	14.42	2,279	3,532	3,904	12.80	19.6
49	29,727	8.71	45,733	13.40	49,715	14.57	2,324	3,602	3,976	12.70	19.5
50	30,073	8.81	46,267	13.56	50,246	14.73	2,369	3,671	4,048	12.60	19.5
51	30,420	8.92	46,800	13.72	50,777	14.88	2,413	3,741	4,119	12.51	19.5
52	30,767	9.02	47,333	13.87	51,308	15.04	2,458	3,810	4,191	12.42	19.4
53	31,113	9.12	47,867	14.03	51,838	15.19	2,503	3,880	4,263	12.34	19.4
54	31,460	9.22	48,400	14.19	52,369	15.35	2,548	3,949	4,335	12.26	19.4
55	31,807	9.32	48,933	14.34	52,900	15.50	2,593	4,019	4,406	12.18	19.3
56	32,153	9.42	49,467	14.50	53,431	15.66	2,638	4,088	4,478	12.10	19.3

Note:

1. Capacity as rated: 0 ft. above sea level with piping length as main pipe (16.4 ft.) + branch pipe (98.4 ft.) = 115 ft.  
0 ft. level difference between outdoor and indoor units.
2. Cooling capacity rating obtained with air entering the indoor unit at 80°F dry bulb (DB) and 67°F wet bulb (WB), and outdoor ambient conditions of 95°F dry bulb (DB) and 75°F wet bulb (WB).
3. Wiring cable size must comply with the applicable local and national codes.
4. The specification may be subject to change without prior notice for purpose of improvement.
5. Sum of connected indoor units' capacity is 18-48 kBtu/h.
6. At least two indoor units must be connected.

**FOR PROPER SYSTEM OPERATION:**

1. At least two operable indoor units must be connected to the outdoor unit.
2. Total connected indoor unit nominal capacity must be a minimum 40% and a maximum of 133% of outdoor unit nominal capacity.
3. To calculate the connected total indoor unit nominal capacity, simply sum up the nominal capacities of all indoor units.
  - For high static duct and vertical-horizontal air handling indoor units, a 1.3 multiplier must first be applied before adding to the sum of other smaller indoor unit types.
  - When high static duct and/or vertical-horizontal air handling indoor units are the **only** connected indoor units, the multiplier is 1.2.

# COMBINATION TABLES

## LMU420HHV

Table 62: LMU420HHV with Non-Ducted Indoor Units — Rated Heating Combination Table.

Total Indoor Unit Capacity (kBtu/h)	Heating Capacity									EER	SEER
	Minimum		Rated		Maximum		Input (W)				
	Btu/h	kW	Btu/h	kW	Btu/h	kW	Minimum	Rated	Maximum		
18	13,455	3.94	20,700	6.07	21,735	6.37	963	1,492	1,641	4.1	12.1
19	14,203	4.16	21,850	6.40	22,943	6.72	1,016	1,574	1,732	4.1	12.1
20	14,950	4.38	23,000	6.74	24,150	7.08	1,069	1,656	1,822	4.1	12.0
21	15,698	4.60	24,150	7.08	25,358	7.43	1,122	1,738	1,912	4.1	12.0
22	16,445	4.82	25,300	7.42	26,565	7.79	1,174	1,820	2,002	4.1	12.0
23	17,193	5.04	26,450	7.75	27,773	8.14	1,227	1,902	2,092	4.1	11.9
24	17,940	5.26	27,600	8.09	28,980	8.49	1,280	1,984	2,182	4.1	11.9
25	18,688	5.48	28,750	8.43	30,188	8.85	1,327	2,057	2,255	4.1	11.9
26	19,435	5.70	29,900	8.76	31,395	9.20	1,374	2,130	2,327	4.1	11.8
27	20,183	5.92	31,050	9.10	32,603	9.56	1,421	2,203	2,399	4.1	11.8
28	20,930	6.13	32,200	9.44	33,810	9.91	1,468	2,276	2,471	4.1	11.7
29	21,678	6.35	33,350	9.77	35,018	10.26	1,515	2,349	2,543	4.2	11.7
30	22,425	6.57	34,500	10.11	36,225	10.62	1,562	2,422	2,615	4.2	11.6
31	23,173	6.79	35,650	10.45	37,433	10.97	1,609	2,495	2,688	4.2	11.6
32	23,920	7.01	36,800	10.79	38,640	11.32	1,657	2,568	2,760	4.2	11.5
33	24,668	7.23	37,950	11.12	39,848	11.68	1,704	2,641	2,832	4.2	11.5
34	25,415	7.45	39,100	11.46	41,055	12.03	1,751	2,714	2,904	4.2	11.4
35	26,163	7.67	40,250	11.80	42,263	12.39	1,798	2,787	2,976	4.2	11.4
36	26,910	7.89	41,400	12.13	43,470	12.74	1,845	2,859	3,048	4.2	11.3
37	27,300	8.00	42,000	12.31	44,100	12.92	1,892	2,932	3,121	4.2	11.3
38	27,690	8.12	42,600	12.49	44,730	13.11	1,939	3,005	3,193	4.2	11.2
39	28,080	8.23	43,200	12.66	45,360	13.29	1,986	3,078	3,265	4.1	11.2
40	28,470	8.34	43,800	12.84	45,990	13.48	2,033	3,151	3,337	4.1	11.1
41	28,860	8.46	44,400	13.01	46,620	13.66	2,080	3,224	3,409	4.0	11.1
42	29,250	8.57	45,000	13.19	47,000	13.77	2,127	3,297	3,481	4.0	11.0
43	29,610	8.68	45,554	13.35	47,590	13.95	2,168	3,361	3,553	4.0	11.0
44	29,970	8.78	46,108	13.51	48,179	14.12	2,210	3,425	3,624	3.9	11.0
45	30,330	8.89	46,662	13.68	48,769	14.29	2,251	3,489	3,696	3.9	10.9
46	30,690	8.99	47,215	13.84	49,359	14.47	2,292	3,553	3,767	3.9	10.9
47	31,050	9.10	47,769	14.00	49,949	14.64	2,333	3,617	3,839	3.9	10.9
48	31,410	9.21	48,323	14.16	50,538	14.81	2,375	3,681	3,910	3.8	10.9
49	31,770	9.31	48,877	14.33	51,128	14.98	2,416	3,745	3,982	3.8	10.9
50	32,130	9.42	49,431	14.49	51,718	15.16	2,457	3,809	4,053	3.8	10.8
51	32,490	9.52	49,985	14.65	52,308	15.33	2,498	3,872	4,125	3.8	10.8
52	32,850	9.63	50,538	14.81	52,897	15.50	2,540	3,936	4,196	3.8	10.8
53	33,210	9.73	51,092	14.97	53,487	15.68	2,581	4,000	4,268	3.7	10.8
54	33,570	9.84	51,646	15.14	54,077	15.85	2,622	4,064	4,339	3.7	10.8
55	33,930	9.94	52,200	15.30	54,667	16.02	2,663	4,128	4,411	3.7	10.7
56	34,290	10.05	52,754	15.46	55,256	16.19	2,705	4,192	4,482	3.7	10.7

Note:

1. Capacity as rated: 0 ft. above sea level with piping length as main pipe (16.4 ft.) + branch pipe (98.4 ft.) = 115 ft.  
0 ft. level difference between outdoor and indoor units.
2. Cooling capacity rating obtained with air entering the indoor unit at 80°F dry bulb (DB) and 67°F wet bulb (WB), and outdoor ambient conditions of 95°F dry bulb (DB) and 75°F wet bulb (WB).
3. Wiring cable size must comply with the applicable local and national codes.
4. The specification may be subject to change without prior notice for purpose of improvement.
5. Sum of connected indoor units' capacity is 18-48 kBtu/h.
6. At least two indoor units must be connected.

**FOR PROPER SYSTEM OPERATION:**

1. At least two operable indoor units must be connected to the outdoor unit.
2. Total connected indoor unit nominal capacity must be a minimum 40% and a maximum of 133% of outdoor unit nominal capacity.
3. To calculate the connected total indoor unit nominal capacity, simply sum up the nominal capacities of all indoor units.
  - For high static duct and vertical-horizontal air handling indoor units, a 1.3 multiplier must first be applied before adding to the sum of other smaller indoor unit types.
  - When high static duct and/or vertical-horizontal air handling indoor units are the **only** connected indoor units, the multiplier is 1.2.

# COMBINATION TABLES

## LMU420HHV

Table 63: LMU420HHV with Ducted Indoor Units – Rated Heating Combination Table.

Total Indoor Unit Capacity (kBtu/h)	Heating Capacity									EER	SEER
	Minimum		Rated		Maximum		Input (W)				
	Btu/h	kW	Btu/h	kW	Btu/h	kW	Minimum	Rated	Maximum		
18	13,455	3.94	20,700	6.07	21,735	6.37	963	1,492	1,641	4.1	12.1
19	14,203	4.16	21,850	6.40	22,943	6.72	1,016	1,574	1,732	4.1	12.1
20	14,950	4.38	23,000	6.74	24,150	7.08	1,069	1,656	1,822	4.1	12.0
21	15,698	4.60	24,150	7.08	25,358	7.43	1,122	1,738	1,912	4.1	12.0
22	16,445	4.82	25,300	7.42	26,565	7.79	1,174	1,820	2,002	4.1	12.0
23	17,193	5.04	26,450	7.75	27,773	8.14	1,227	1,902	2,092	4.1	11.9
24	17,940	5.26	27,600	8.09	28,980	8.49	1,280	1,984	2,182	4.1	11.9
25	18,688	5.48	28,750	8.43	30,188	8.85	1,327	2,057	2,255	4.1	11.9
26	19,435	5.70	29,900	8.76	31,395	9.20	1,374	2,130	2,327	4.1	11.8
27	20,183	5.92	31,050	9.10	32,603	9.56	1,421	2,203	2,399	4.1	11.8
28	20,930	6.13	32,200	9.44	33,810	9.91	1,468	2,276	2,471	4.1	11.7
29	21,678	6.35	33,350	9.77	35,018	10.26	1,515	2,349	2,543	4.2	11.7
30	22,425	6.57	34,500	10.11	36,225	10.62	1,562	2,422	2,615	4.2	11.6
31	23,173	6.79	35,650	10.45	37,433	10.97	1,609	2,495	2,688	4.2	11.6
32	23,920	7.01	36,800	10.79	38,640	11.32	1,657	2,568	2,760	4.2	11.5
33	24,668	7.23	37,950	11.12	39,848	11.68	1,704	2,641	2,832	4.2	11.5
34	25,415	7.45	39,100	11.46	41,055	12.03	1,751	2,714	2,904	4.2	11.4
35	26,163	7.67	40,250	11.80	42,263	12.39	1,798	2,787	2,976	4.2	11.4
36	26,910	7.89	41,400	12.13	43,470	12.74	1,845	2,859	3,048	4.2	11.3
37	27,300	8.00	42,000	12.31	44,100	12.92	1,892	2,932	3,121	4.2	11.3
38	27,690	8.12	42,600	12.49	44,730	13.11	1,939	3,005	3,193	4.2	11.2
39	28,080	8.23	43,200	12.66	45,360	13.29	1,986	3,078	3,265	4.1	11.2
40	28,470	8.34	43,800	12.84	45,990	13.48	2,033	3,151	3,337	4.1	11.1
41	28,860	8.46	44,400	13.01	46,620	13.66	2,080	3,224	3,409	4.0	11.1
42	29,250	8.57	45,000	13.19	47,000	13.77	2,127	3,297	3,481	4.0	11.0
43	29,610	8.68	45,554	13.35	47,590	13.95	2,168	3,361	3,553	4.0	11.0
44	29,970	8.78	46,108	13.51	48,179	14.12	2,210	3,425	3,624	3.9	11.0
45	30,330	8.89	46,662	13.68	48,769	14.29	2,251	3,489	3,696	3.9	10.9
46	30,690	8.99	47,215	13.84	49,359	14.47	2,292	3,553	3,767	3.9	10.9
47	31,050	9.10	47,769	14.00	49,949	14.64	2,333	3,617	3,839	3.9	10.9
48	31,410	9.21	48,323	14.16	50,538	14.81	2,375	3,681	3,910	3.8	10.9
49	31,770	9.31	48,877	14.33	51,128	14.98	2,416	3,745	3,982	3.8	10.9
50	32,130	9.42	49,431	14.49	51,718	15.16	2,457	3,809	4,053	3.8	10.8
51	32,490	9.52	49,985	14.65	52,308	15.33	2,498	3,872	4,125	3.8	10.8
52	32,850	9.63	50,538	14.81	52,897	15.50	2,540	3,936	4,196	3.8	10.8
53	33,210	9.73	51,092	14.97	53,487	15.68	2,581	4,000	4,268	3.7	10.8
54	33,570	9.84	51,646	15.14	54,077	15.85	2,622	4,064	4,339	3.7	10.8
55	33,930	9.94	52,200	15.30	54,667	16.02	2,663	4,128	4,411	3.7	10.7
56	34,290	10.05	52,754	15.46	55,256	16.19	2,705	4,192	4,482	3.7	10.7

Note:

1. Capacity as rated: 0 ft. above sea level with piping length as main pipe (16.4 ft.) + branch pipe (98.4 ft.) = 115 ft.  
0 ft. level difference between outdoor and indoor units.
2. Cooling capacity rating obtained with air entering the indoor unit at 80°F dry bulb (DB) and 67°F wet bulb (WB), and outdoor ambient conditions of 95°F dry bulb (DB) and 75°F wet bulb (WB).
3. Wiring cable size must comply with the applicable local and national codes.
4. The specification may be subject to change without prior notice for purpose of improvement.
5. Sum of connected indoor units' capacity is 18-48 kBtu/h.
6. At least two indoor units must be connected.



**FOR PROPER SYSTEM OPERATION:**

1. At least two operable indoor units must be connected to the outdoor unit.
2. Total connected indoor unit nominal capacity must be a minimum 40% and a maximum of 133% of outdoor unit nominal capacity.
3. To calculate the connected total indoor unit nominal capacity, simply sum up the nominal capacities of all indoor units.
  - For high static duct and vertical-horizontal air handling indoor units, a 1.3 multiplier must first be applied before adding to the sum of other smaller indoor unit types.
  - When high static duct and/or vertical-horizontal air handling indoor units are the **only** connected indoor units, the multiplier is 1.2.

# COMBINATION TABLES

## LMU420HHV

Table 64: LMU420HHV with Mixed Indoor Units – Rated Heating Combination Table.

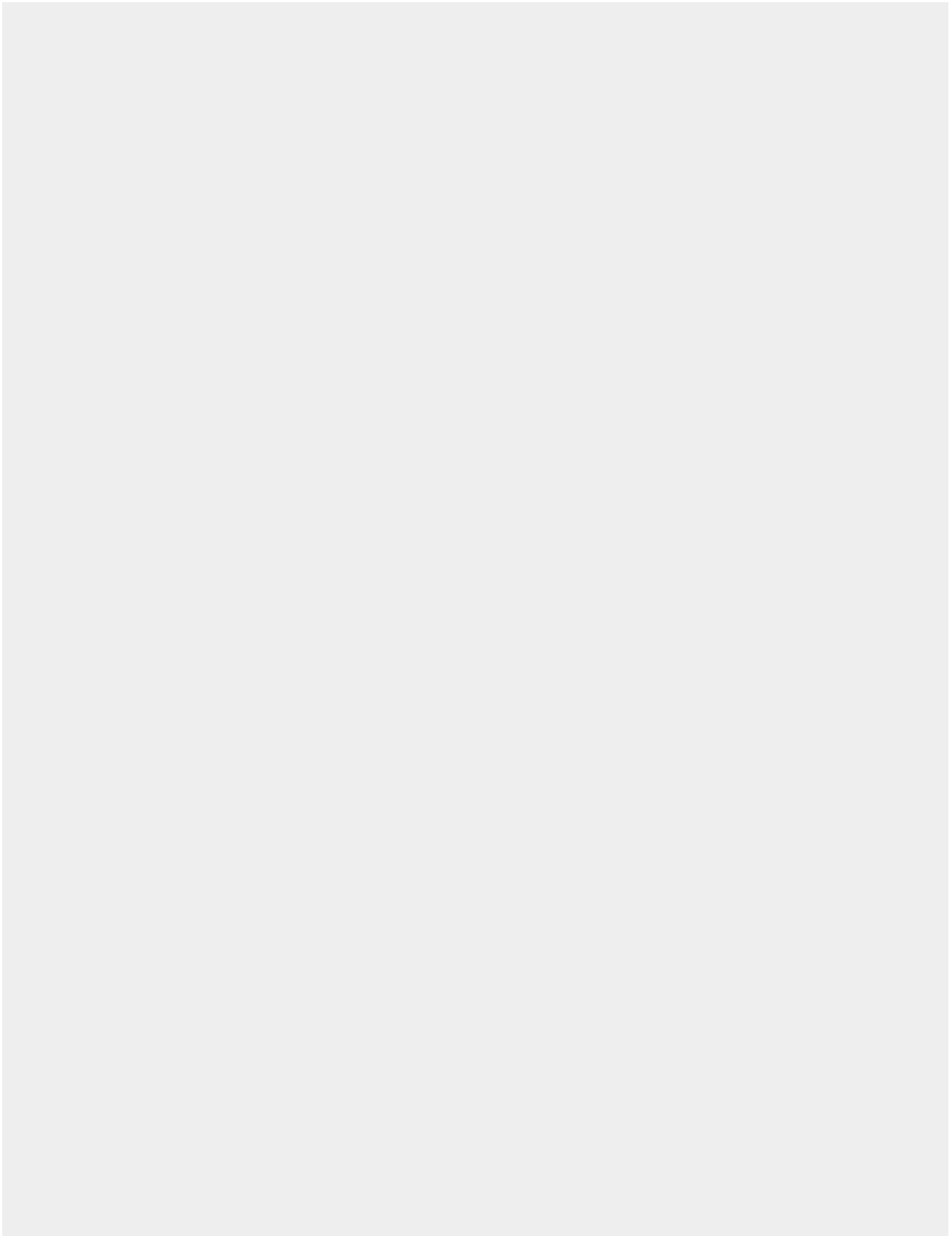
Total Indoor Unit Capacity (kBtu/h)	Heating Capacity									EER	SEER
	Minimum		Rated		Maximum		Input (W)				
	Btu/h	kW	Btu/h	kW	Btu/h	kW	Minimum	Rated	Maximum		
18	13,455	3.94	20,700	6.07	21,735	6.37	1,016	1,575	1,733	3.85	11.9
19	14,203	4.16	21,850	6.40	22,943	6.72	1,072	1,662	1,828	3.85	11.9
20	14,950	4.38	23,000	6.74	24,150	7.08	1,128	1,748	1,923	3.86	11.8
21	15,698	4.60	24,150	7.08	25,358	7.43	1,184	1,835	2,019	3.86	11.8
22	16,445	4.82	25,300	7.42	26,565	7.79	1,240	1,921	2,114	3.86	11.8
23	17,193	5.04	26,450	7.75	27,773	8.14	1,295	2,008	2,209	3.86	11.7
24	17,940	5.26	27,600	8.09	28,980	8.49	1,351	2,094	2,304	3.86	11.7
25	18,688	5.48	28,750	8.43	30,188	8.85	1,401	2,171	2,381	3.88	11.7
26	19,435	5.70	29,900	8.76	31,395	9.20	1,450	2,248	2,458	3.90	11.6
27	20,183	5.92	31,050	9.10	32,603	9.56	1,500	2,325	2,535	3.91	11.6
28	20,930	6.13	32,200	9.44	33,810	9.91	1,550	2,402	2,612	3.93	11.5
29	21,678	6.35	33,350	9.77	35,018	10.26	1,600	2,479	2,689	3.94	11.5
30	22,425	6.57	34,500	10.11	36,225	10.62	1,649	2,556	2,766	3.96	11.4
31	23,173	6.79	35,650	10.45	37,433	10.97	1,699	2,633	2,844	3.97	11.4
32	23,920	7.01	36,800	10.79	38,640	11.32	1,749	2,710	2,921	3.98	11.3
33	24,668	7.23	37,950	11.12	39,848	11.68	1,798	2,787	2,998	3.99	11.3
34	25,415	7.45	39,100	11.46	41,055	12.03	1,848	2,864	3,075	4.00	11.2
35	26,163	7.67	40,250	11.80	42,263	12.39	1,898	2,941	3,152	4.01	11.2
36	26,910	7.89	41,400	12.13	43,470	12.74	1,947	3,018	3,229	4.02	11.1
37	27,300	8.00	42,000	12.31	44,100	12.92	1,997	3,095	3,306	3.98	11.1
38	27,690	8.12	42,600	12.49	44,730	13.11	2,047	3,172	3,383	3.94	11.0
39	28,080	8.23	43,200	12.66	45,360	13.29	2,096	3,249	3,461	3.90	11.0
40	28,470	8.34	43,800	12.84	45,990	13.48	2,146	3,326	3,538	3.86	10.9
41	28,860	8.46	44,400	13.01	46,620	13.66	2,196	3,403	3,615	3.82	10.9
42	29,250	8.57	45,000	13.19	47,000	13.77	2,245	3,471	3,692	3.80	10.8
43	29,610	8.68	45,554	13.35	47,577	13.94	2,285	3,542	3,760	3.77	10.8
44	29,970	8.78	46,108	13.51	48,154	14.11	2,325	3,604	3,828	3.75	10.8
45	30,330	8.89	46,662	13.68	48,731	14.28	2,365	3,666	3,896	3.73	10.8
46	30,690	8.99	47,215	13.84	49,308	14.45	2,405	3,728	3,965	3.71	10.7
47	31,050	9.10	47,769	14.00	49,885	14.62	2,445	3,790	4,033	3.69	10.7
48	31,410	9.21	48,323	14.16	50,462	14.79	2,485	3,852	4,101	3.68	10.7
49	31,770	9.31	48,877	14.33	51,038	14.96	2,525	3,914	4,169	3.66	10.7
50	32,130	9.42	49,431	14.49	51,615	15.13	2,565	3,976	4,237	3.64	10.7
51	32,490	9.52	49,985	14.65	52,192	15.30	2,605	4,038	4,305	3.63	10.6
52	32,850	9.63	50,538	14.81	52,769	15.47	2,645	4,100	4,374	3.61	10.6
53	33,210	9.73	51,092	14.97	53,346	15.63	2,685	4,162	4,442	3.60	10.6
54	33,570	9.84	51,646	15.14	53,923	15.80	2,725	4,224	4,510	3.58	10.6
55	33,930	9.94	52,200	15.30	54,500	15.97	2,765	4,286	4,578	3.57	10.6
56	34,290	10.05	52,754	15.46	55,077	16.14	2,805	4,348	4,646	3.56	10.5

Note:

1. Capacity as rated: 0 ft. above sea level with piping length as main pipe (16.4 ft.) + branch pipe (98.4 ft.) = 115 ft.  
0 ft. level difference between outdoor and indoor units.
2. Cooling capacity rating obtained with air entering the indoor unit at 80°F dry bulb (DB) and 67°F wet bulb (WB), and outdoor ambient conditions of 95°F dry bulb (DB) and 75°F wet bulb (WB).
3. Wiring cable size must comply with the applicable local and national codes.
4. The specification may be subject to change without prior notice for purpose of improvement.
5. Sum of connected indoor units' capacity is 18-48 kBtu/h.
6. At least two indoor units must be connected.

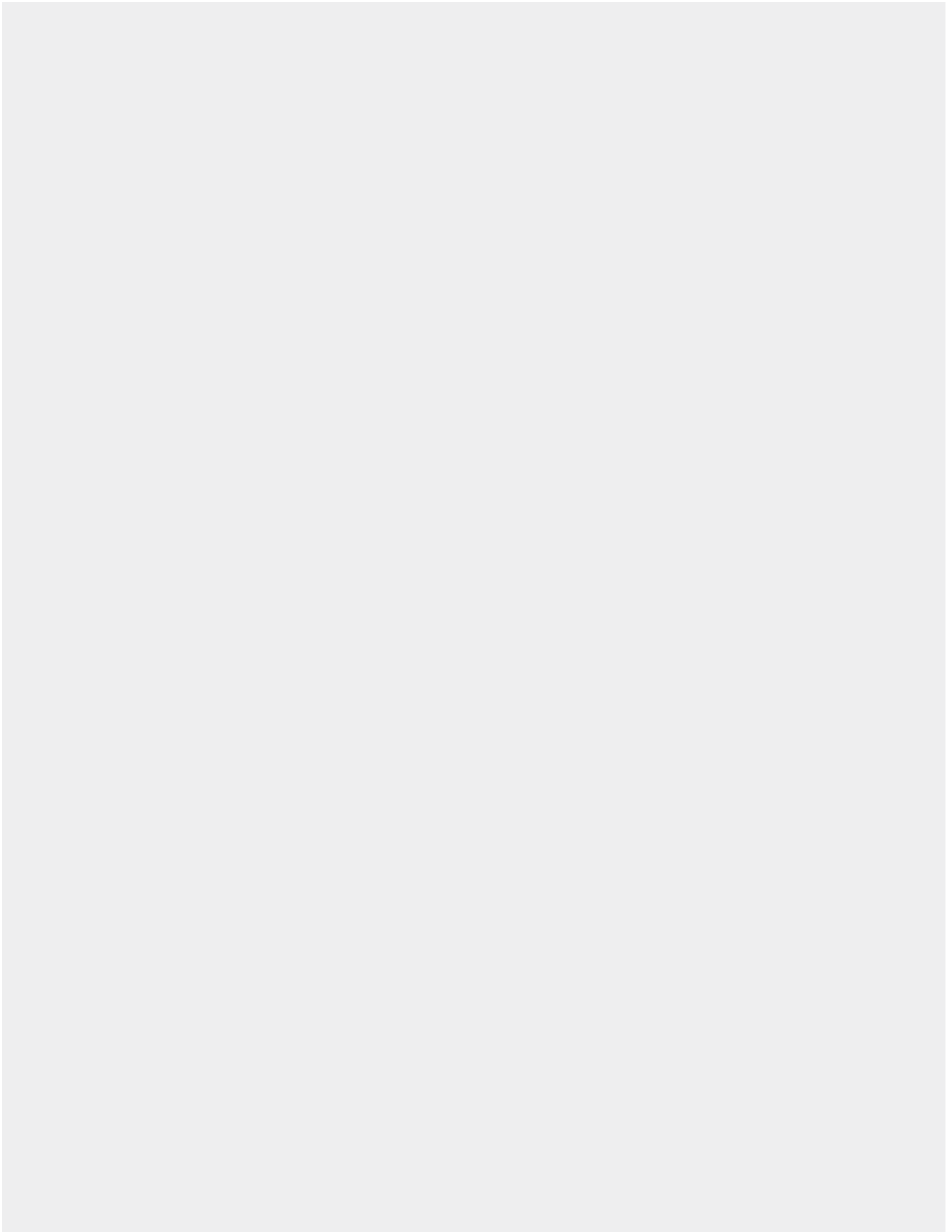
# NOTES

---



# NOTES

---





## LG Electronics USA, Inc.

Air Conditioning Technologies

4300 North Point Parkway, Alpharetta, GA 30022

[www.lghvac.com](http://www.lghvac.com)

Distributed by