

# PB930SL

## GE Profile™ Series 30" Free-Standing Electric Convection Range

### DIMENSIONS AND INSTALLATION INFORMATION (IN INCHES)

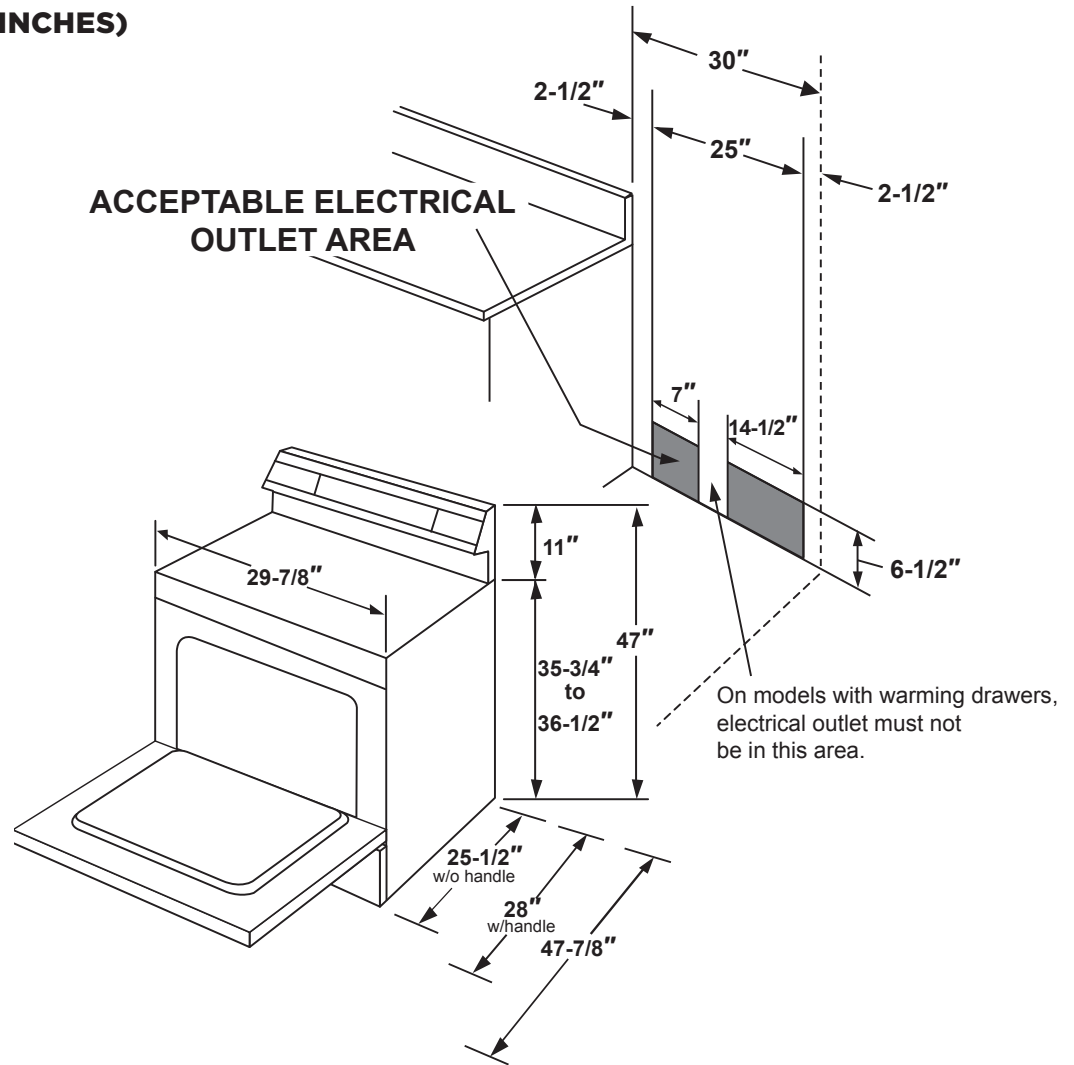
**RECEPTACLE LOCATIONS:** Locally approved flexible service cord or conduit must be used because terminals are not accessible after range installation. See shaded area in drawing for location of electrical outlet box. Recommended outlet locations allow range to be installed directly against wall.

**NOTE:** This appliance has been approved for 0" spacing to adjacent surfaces above the cooktop. However, a 6" minimum spacing to surfaces less than 15" above the cooktop and adjacent cabinet is recommended to reduce exposure to steam, grease splatter and heat.

**INSTALLATION INFORMATION:** Before installing, consult installation instructions for current dimensional data and additional requirements.

KW RATING	
240V	15.5
208V	11.6
BREAKER SIZE	
240V	40 Amps†
208V	40 Amps†

†NOTE: Check local codes for required breaker size.



For answers to your Monogram, GE Café™ Series, GE Profile™ Series or GE Appliances product questions, visit our website at [geappliances.com](http://geappliances.com) or call GE Answer Center® Service, 800.626.2000.



All GE Appliances ranges are equipped with an Anti-Tip device. The installation of this device is an important, required step in the installation of the range.



Listed by Underwriters Laboratories

Specification Revised 6/18

# PB930SL

## GE Profile™ Series 30" Free-Standing Electric Convection Range

### FEATURES AND BENEFITS

Edge-to-edge cooktop – A large, seamless surface makes it easy to wipe away messes

WiFi Connect – Wirelessly control oven functions from your smartphone

12"/9"/6" 3,600W Power Boil – Pots and pans fit perfectly on the flexible heating element

Chef Connect – Three options with a single touch. For instant convenience, choose when to automatically sync clocks and the range elements with the microwave's surface light and vent

Full fifth element – Enjoy maximum cooktop flexibility with five full-power elements

True European Convection with Precise Air – Enjoy perfectly even results without turning the pan

Bridge zone – Cook griddle favorites from the convenience of your range

Soft-close storage drawer – Drawer closes silently and softly with just a touch

Self-clean, heavy-duty roller rack – Easily access items with a rack that glides smoothly

Temperature probe – Ensure meats are thoroughly and accurately cooked

Fast preheat - Make hot meals in a hurry with less time preheating

Model PB930SLSS – Stainless steel

