

PB905ST

GE Profile™ 30" Free-Standing Convection Range

Dimensions and Installation Information (in inches)

KW Rating	
240V	12.9
208V	9.7
Breaker Size	
40 Amps†	

†**Note:** Check local codes for required breaker size.

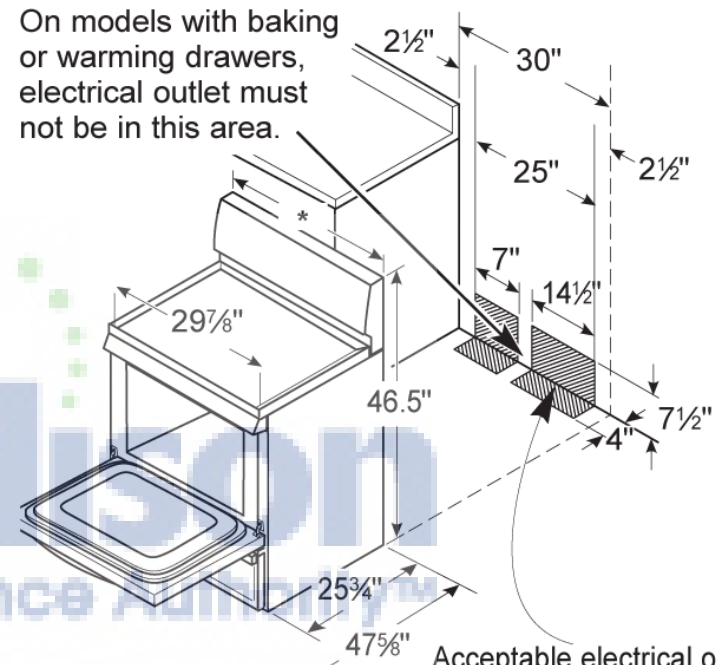
Effective January 1, 1996, the National Electrical Code requires that new construction (not existing) utilize a 4-conductor connection to an electric range.

Receptacle Locations

Locally approved flexible service cord or conduit must be used because terminals are not accessible after range installation. See shaded area in drawing for location of electrical outlet box. Recommended outlet locations allow range to be installed directly against wall.

Note: 30" ranges conform to U.L. requirements for 0" spacing from adjacent walls below countertops. To reduce possibility of scorching walls, engineering recommends a minimum of 1-1/2" spacing to allow for possible extended, high-heat, no-load heating element operation.

Installation Information: Before installing, consult installation instructions packed with product for current dimensional data.



Acceptable electrical outlet area. Orient electrical receptacle so the length is parallel to floor.

* GE-branded models have control panels 30 7/8" wide.

NOTE: Use a 4' power cord to prevent interference with the storage drawer. Power cords 4 1/2' to 6' long may have to be dressed to allow for proper drawer closing.

For answers to your Monogram®, GE Profile™ or GE® appliance questions, visit our website at geappliances.com or call GE Answer Center® service, 800.626.2000.



All GE ranges are equipped with an Anti-Tip device. The installation of this device is an important, required step in the installation of the range.



Listed by Underwriters Laboratories

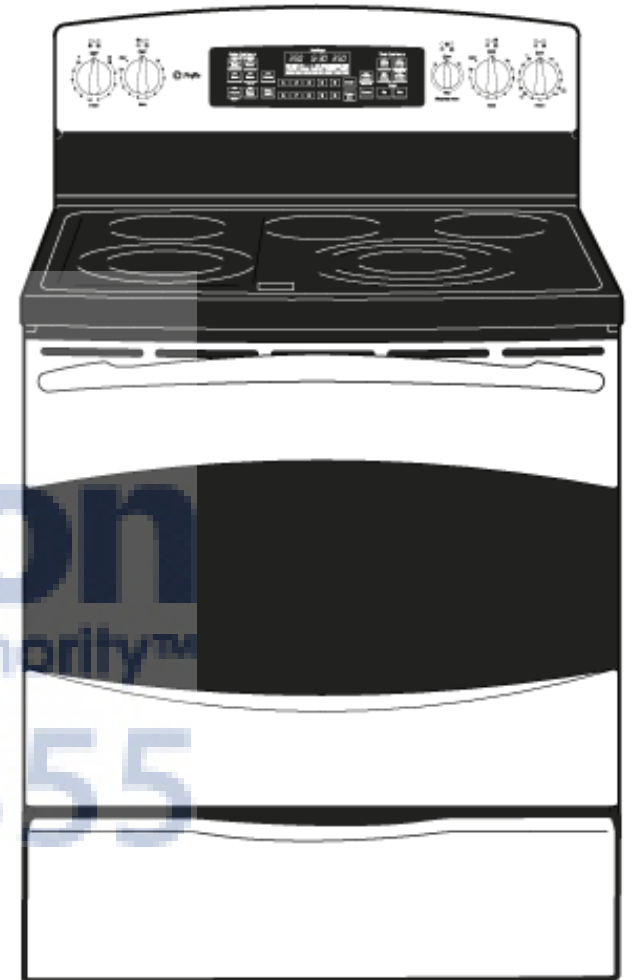


PB905ST

GE Profile™ 30" Free-Standing Convection Range

Features and Benefits

- PreciseAir™ convection system - A reversing fan circulates heat and air for evenly browned and baked foods
- Single/multi-rack convection bake - Provides ideal airflow throughout the oven, ensuring optimal results on both racks
- 5.3 cu. ft. oven capacity - Enough room to cook an entire meal at once
- 12"/9"/6" Tri-ring element - Provides three cooking areas in one for the ultimate in cooking versatility
- 6"/9" PowerBoil™ element - Accommodates various-size pots or pans and 3,000 watts of power speeds the boiling process
- Self-clean with steam clean option - Gives you two easy ways to clean baked-on food and spills, so you can pick the one that fits your lifestyle
- Hidden bake oven interior - Conceals the lower oven bake element to eliminate hard-to-reach areas that collect food and spills for easy cleaning
- Black gloss oven interior - Black oven interior adds a stylish touch to any kitchen
- Model PB905STSS – Stainless Steel



For answers to your Monogram,® GE Profile™ or GE® appliance questions, visit our website at geappliances.com or call GE Answer Center® service, 800.626.2000.



imagination at work