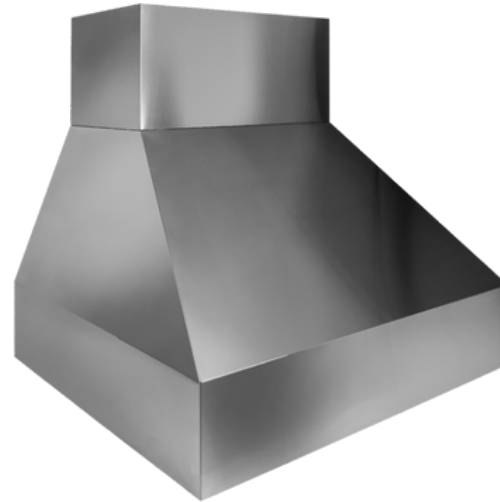


MODEL	CFM	3-SPEED INTERNAL BLOWER	IN-LINE OR REMOTE BLOWER
P7236			✓
P7236-12	1200	✓	
*P723612EXT	1200	✓	
P7242			✓
P7242-12	1200	✓	
*P724212EXT	1200	✓	
P7248			✓
P7248-12	1200	✓	
*P724812EXT	1200	✓	
P7260			✓
P7260-23	2300	✓	
P7272			✓
P7272-23	2300	✓	



Before beginning installation, please thoroughly read and become familiar with these instructions. Installation and service must be completed by a qualified installer. Failure to properly install this product may void the warranty.

Please be advised that the TRADE-WIND® P7200 Series BBQ Hood MAY NOT be installed on a Patio or Lanai area that does not have a roof over the BBQ Hood to protect it from direct rain or potential water ingress. This Hood should be installed with a MINIMUM of three (3) feet of weather proof roof coverage on all sides that are not protected from direct rain by an adjacent wall.

It is required that all duct work and roof openings be thoroughly sealed with the applicable tape and/or roof sealant to prevent ingress of water.

**Installer:** Please leave Installation Instructions with the range hood liner.

**Owner:** Please keep Installation Instructions for local electrical inspector's use and for future reference.

**⚠ WARNINGS:** Must be followed carefully to avoid personal injury.

**>>> IMPORTANT:** Must be followed carefully to avoid damage and incorrect installation.

**💡 TIPS:** Contains helpful information to facilitate installation.

### READ AND SAVE THESE INSTRUCTIONS

**⚠ WARNING! TO REDUCE THE RISK OF FIRE, ELECTRICAL SHOCK, OR INJURY TO PERSONS OBSERVE THE FOLLOWING:**

**a)** Use this unit only in the manner intended by the manufacturer. If you have any questions, please contact the manufacturer at the address or telephone number listed in the warranty.

**b)** Before servicing or cleaning unit, switch power off at service panel, lock service panel, and lock the service disconnection means to prevent power from being switched on accidentally. When the service disconnecting means cannot be locked, securely fasten a prominent warning device, such as a tag, to the service panel.

**🚫 CAUTION:** For general ventilating use only. Do not use to exhaust hazardous or explosive materials and vapors.

**⚠ WARNING! TO REDUCE THE RISK OF A BBQ TOP GREASE FIRE:**

**a)** Never leave surface units unattended at high settings. Boilovers cause smoking and greasy spillovers that may ignite. Heat oils slowly on low or medium settings.

**b)** Always turn hood ON when cooking at high heat or when flambeing food (i.e. Crepes Suzette, Cherries Jubilee, Peppercorn Beef Flambe').

- c) Clean ventilating fans frequently. Grease should not be allowed to accumulate on fan or filter.
- d) Use proper pan size. Always use cookware appropriate for the size of the surface element.


 **WARNING! TO REDUCE THE RISK OF INJURY TO PERSONS IN THE EVENT OF A BBQ TOP GREASE FIRE, OBSERVING THE FOLLOWING:**

- a) Smother flames with a close-fitting lid, cookie sheet, or metal tray, then turn off the burner.
  - b) Never pick up a flaming pan -- you will be burned.**
  - c) **Do not use water**, including wet dishcloths or towels. A violent steam explosion will result.
  - d) Use an extinguisher only if:
    - 1. You know you have a Class ABC extinguisher and you already know how to operate it.
    - 2. The fire is small and contained in the area where it started.
    - 3. The fire department is being called.
    - 4. You can fight the fire with your back to an exit.
  - e) Follow the BBQ grill manufacturer's instruction when using gas grills, cookers, or any propane appliances.
- f) Be careful to prevent burns. If the flame does not go out directly, evacuate and call the fire department.**

 **RECOMMENDATIONS:**


- 1. Consult a licensed ventilation contractor or qualified technician for proper installation of exhaust ducting. Locate the cooking area for minimum cross drafts-away from doors and windows, when possible.
- 2. Ducts must be of adequate size and duct runs should be as short as possible. Where turns are necessary, keep turning radius as large and as smooth as possible.
- 3. The ducting must be air tight. Use a minimum of 2 sheet metal screws at every duct joint. Then, seal the duct joints with high quality duct tape.
- 4. Do not use this unit with any solid-state speed control device.
- 5. This unit must be grounded.

## INSTALLATION INSTRUCTIONS

 **WARNING! TO REDUCE THE RISK OF FIRE, ELECTRICAL SHOCK, OR INJURY TO PERSONS OBSERVE THE FOLLOWING:**

- a) Installation work and electrical wiring must be done by qualified person(s) in accordance with all applicable codes and standards, including fire-rated construction codes and standards.
- b) Sufficient air is needed for proper combustion and exhausting of gasses through the flue (chimney) of fuel burning equipment to prevent back drafting. Follow the heating equipment manufacturer's guidelines and safety standards such as those published by the National Fire Protection Association (NFPA) and the American Society for Heating, Refrigeration and Air Conditioning Engineers (ASHRAE) and the local code authorities.
- c) When cutting or drilling into wall or ceiling, do not damage electrical wiring and other hidden utilities.
- d) Ducted fans must always be vented to the outdoor.
- e) For safe and secure wall mounting, the TRADE-WIND® BBQ Hood should be mounted to a solid vertical surface of sufficient width to allow for mounting of the Hood. The horizontal surface should extend from a vertical plane to the point directly in front of the exhaust roof cap (or wall cap).
- f) The Hood should be installed with a MINIMUM of three (3) feet of weather proof roof coverage on all sides that are not protected from direct rain by an adjacent wall.
- g) It is also required that all duct work and roof openings be thoroughly sealed with the applicable tape and/or roof sealant to prevent ingress of water.

 **WARNING! TO REDUCE THE RISK OF FIRE, USE ONLY METAL DUCTWORK.**

 **CAUTION:** To reduce the risk of fire and to properly exhaust air, be sure to duct air outside. Do not vent exhaust air into spaces within walls, ceilings, cabinets or into attics, crawl spaces, or garages.

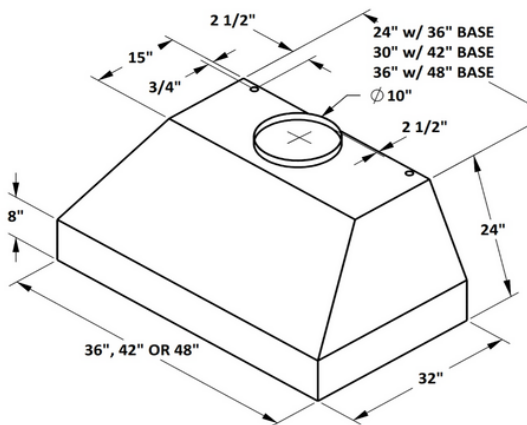
**TO ACCESS THE INSTALLATION INSTRUCTIONS FOR YOUR TRADE-WIND® PRODUCT, PLEASE SCAN THE QR CODE:**



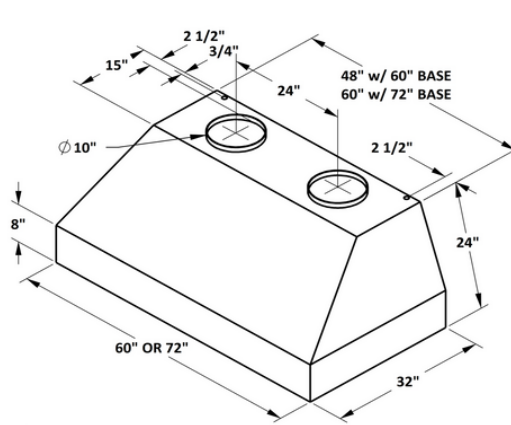
**>>> IMPORTANT: ALL DIMENSIONS ARE NOMINAL +/- 1/8"**

MODEL	DRAWING BELOW	FRONT TO BACK	WIDTH	COLOR	CFM	3-SPEED INTERNAL BLOWER	IN-LINE OR REMOTE BLOWER	HALOGEN LIGHTS	S/S BAFFLE FILTERS	CONVERTIBLE DUCTING	DUCT COLLAR	DIMMABLE LIGHT CONTROL
P7236	A	32"	36"	S/S			✓	2	✓	✓	10"	✓
P7236-12	A	32"	36"	S/S	1200	✓		2	✓	✓	10"	✓
*P723612EXT	A	32"	36"	S/S	1200	✓		2	✓	✓	10"	✓
P7242	A	32"	42"	S/S			✓	2	✓	✓	10"	✓
P7242-12	A	32"	42"	S/S	1200	✓		2	✓	✓	10"	✓
*P724212EXT	A	32"	42"	S/S	1200	✓		2	✓	✓	10"	✓
P7248	A	32"	48"	S/S			✓	3	✓	✓	10"	✓
P7248-12	A	32"	48"	S/S	1200	✓		3	✓	✓	10"	✓
*P724812EXT	A	32"	48"	S/S	1200	✓		3	✓	✓	10"	✓
P7260	B	32"	60"	S/S			✓	4	✓	✓	2 X 10"	✓
P7260-23	B	32"	60"	S/S	2300	✓		4	✓	✓	2 X 10"	✓
P7272	B	32"	72"	S/S			✓	4	✓	✓	2 X 10"	✓
P7272-23	B	32"	72"	S/S	2300	✓		4	✓	✓	2 X 10"	✓

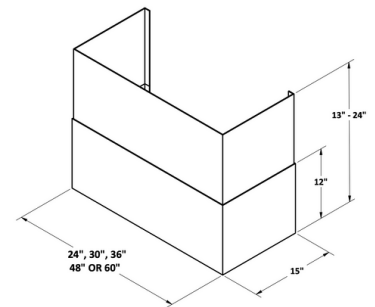
\*EXT MODELS COME WITH TELESCOPIC DUCT COVER TO 12' CEILING



**A. RANGE HOODS** (36", 42", 48")

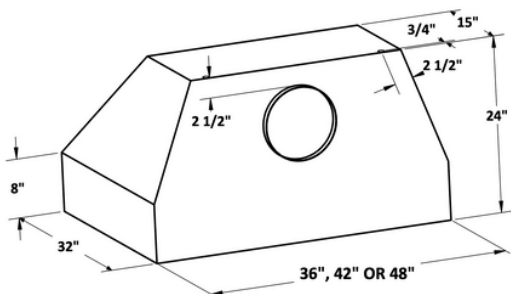


**B. RANGE HOODS** (60" OR 72")

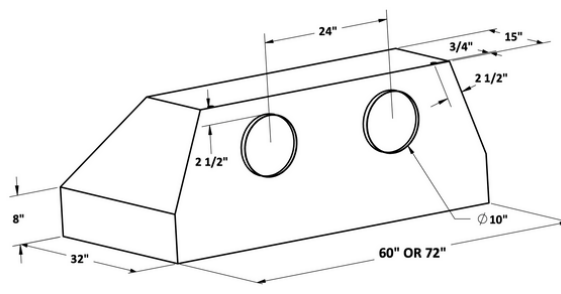


**DUCT COVERS**

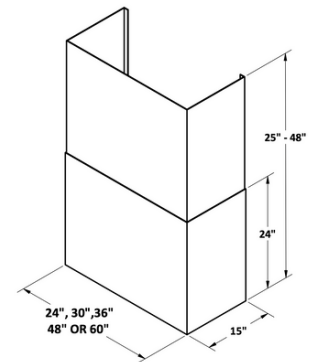
\*Included for ceilings 9' to 10'



**A. REAR OPTION CONVERSION**



**B. REAR OPTION CONVERSION**



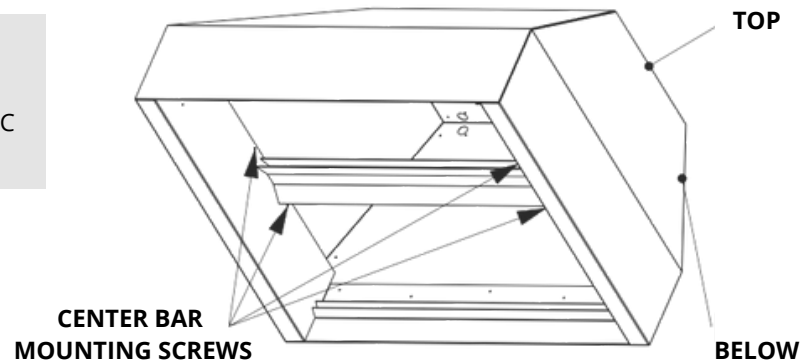
**DUCT COVERS:** MODEL #: PDC7236, PDC7242, PDC7248, PDC7260, PDC7272

\*Sold separately for ceilings 10' to 12'

## >>> IMPORTANT: EASY STEPS FOR CONVERTING HOOD TO REAR DISCHARGE OPTION (NO WIRING)

### TOOLS REQUIRED:

- PHILLIPS SCREWDRIVER
- 3/8" SOCKET DRIVER (EXTENSION IN ELECTRIC DRILL IS IDEAL)



### STEPS:

1. Position hood on its back (preferably up on a table or similar) and remove all baffle filters. Then raise up the hood with a 2x4 under each side so there is at least 1" clearance between the hood and table.
2. Remove 4 screws holding the center bar (see diagram above). Make sure to hold bar with one hand while removing final screw on each side so it doesn't fall. Move center bar towards blowers until free of edges, then pull out of the unit and set aside.
3. Identify the 6 nuts that hold the 2 blowers (3 for each) and remove using 3/8" socket. Set nuts and washers aside. One at a time slide to release remaining tab and pull blowers out. Set blowers down on back of the hood, as far forward as wiring allows. **Note: No need to touch or change any wiring/electrical cables.**
4. Remove the metal plate (with 10" hole) which was behind the blowers and set aside.
5. With same socket tool, take off the 8 nuts and washers to release the other solid plate currently mounted inside the back of the unit. Put in place where the other plate was (top of unit) and secure using same nuts and washers.
6. Now set the remaining (solid) plate in place at the back of the unit. **Note: The solid one should now be attached to the top of the unit, and the one with the 10" hole should be against the back of the unit.**
7. Move one blower into place on top of plate and weld screws at the back of the unit, using tab to slide through both layers of steel (if you have trouble, pry the slots open with flat head screwdriver). Make sure to slide tab in as far as possible.
8. Do the same with the second blower (can overlap the first one).
9. Secure the blowers using the same 6 washers and nuts removed in step 3.
10. Make sure flex cable isn't touching anything, specifically the front face of the unit. (If necessary twist and bend it out of the way).
11. Put back center bar the same way it came out. It is not reversible, so if holes don't line up, flip and try the other way.

Unit is now ready for mounting and installation.  
**Re-install baffle filters as final step after installation is complete.**

## **PART 1: PLANNING THE INSTALLATION**



### **CAUTION:**

1. For general ventilating use only. Do not use to exhaust hazardous or explosive materials and vapors.
2. To reduce the risk of fire and to properly exhaust air, the hood must be exhausted to outside air. Never exhaust into a wall, an attic or a concealed area in the building. This can create a potential hazard.
3. Consult a licensed ventilation contractor or qualified technician for proper installation of exhaust ducting.
4. Locate the cooking area for minimum cross drafts—away from doors and windows, when possible.
5. Ducts must be of adequate size and duct runs should be as short as possible. Where turns are necessary, keep turning radius as large and as smooth as possible.
6. The ducting must be air tight. Use a minimum of 2 sheet metal screws at every duct joint. Then, seal the duct joints with high quality duct tape.
7. Only use ductwork constructed of materials deemed acceptable by state, municipal and local codes.
8. Plan the installation so that all minimum clearances are met or exceeded. Dimensions shown provide minimum clearances, unless otherwise specified.



### **WARNING: FOLLOWING ARE MANUFACTURER'S SUGGESTIONS. ALWAYS OBSERVE LOCAL BUILDING CODES.**

Hoods installed in custom canopies constructed of combustible materials should be installed with the combustible material structure at 36" above the cooking surface. Hoods installed in custom canopies constructed of non-combustible materials, should be installed with the non-combustible material structure at 36" above the cooking surface. Follow all instructions regarding minimum safe clearances and installation location. Failure to do so may result in a safety hazard or fire. To reduce the risk of fire use only metal ductwork.

### **>>> FOR IN-LINE & REMOTE VENTILATORS, DUCT SILENCERS, DAMPERS, AND DUCTING**

TRADE-WIND® BBQ Hoods with non-internal motors are designed for use with "in-line" and "remote-mount" ventilators. When planning for installations using these products, please refer to the Installation Instructions provided with the ventilator. TRADE-WIND® Duct Silencers are available from your local TRADE-WIND® dealer. When planning for installation using a duct silencer, please refer to the Installation Instructions provided with the duct silencer.

Given that most installations are different, a back-draft damper is not provided with this unit. TRADE-WIND® back draft dampers are also available from your local TRADE-WIND® dealer. Always install ventilation products with an approved wall or roof cap. Duct performance is improved by using round, smooth metal duct work instead of rectangular. Do not rely on duct tape alone to seal duct joints. Use sheet metal screws as required to support the duct.

## **PART 2: SECURING THE HOOD**

### **>>> MOUNTING HOLES:**

Because the TRADE-WIND® S7200CD Series BBQ Hood was designed for all applications, no mounting holes have been pre-drilled. This allows for custom applications for mounting. The hood should be attached to the framing through the top and back, whenever possible. Remove the filters. Mark and drill screw holes through the hood as required. Secure the hood by driving screws (provided by others) through the screw holes.

**NOTE: DRILLING THROUGH STAINLESS STEEL REQUIRES TITANIUM DRILL BITS. BE CAREFUL NOT TO DRILL THROUGH THE UL LABEL OR INTO THE HOOD'S ELECTRICAL COMPONENTS**

## PART 3: ELECTRICAL CONNECTION

### **WARNING:**

Ensure that the power supply is disconnected before proceeding. Verify that the power supply matches the ratings found on the appliance data label before proceeding. The complete appliance must be properly grounded at all times when electrical power is applied. Do not ground the appliance with the neutral (white) house supply wire. A separate ground wire must be utilized. Failure to complete electrical connections properly may result in damaged or non-functional systems. Follow instructions carefully to ensure proper installation.

**It is the owner's responsibility to ensure that a qualified person performs the electrical connection of this appliance. The electrical installation, including minimum supply wire size, must comply with the National Electric Code ANSI/NFPA 70-1990 (or latest revision) and local codes and ordinances. A copy of this standard may be obtained from:**

**National Fire Protection Association, 1 Batterymarch Park, Quincy, Massachusetts 02169-7471**

### **>>> IMPORTANT: ELECTRICAL REQUIREMENTS**

Observe all National and local governing codes and ordinances. Have all electrical installation done by a qualified electrical installer. This Hood requires a 120 Volt, 60 Hertz electrical supply of an individual properly grounded branch circuit protected by a 15 or 20 Amp circuit breaker. The TRADE-WIND® P7200-12 Series BBQ Hood is supplied with a 6.0 Amp three speed fan control, the -23 models are supplied with (2) 6.0 Amp three speed fan controls.

**For safety precautions, each Ventilation Hood should be installed in a GFCI protected branch circuit.**

### **INSTRUCTIONS:**

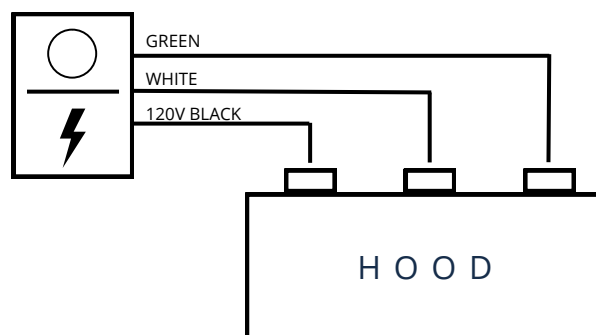
Wire Connections: (See Diagram)  
There are 3 wires on the front panel that require connection.


**BLACK** 120 VOLT AC FROM ELECTRICAL PANEL (USUALLY BLACK)

**WHITE** NEUTRAL FROM ELECTRICAL PANEL (USUALLY WHITE)


**GREEN** GROUND FROM ELECTRICAL PANEL (USUALLY GREEN)


HOUSE ELECTRICAL PANEL



 **CAUTION:** The neutral wire (white) must only be connected to the white neutral wire coming in from the electrical panel.

## PART 4: USE AND CARE

 **CAUTION:** The edges of the stainless steel are extremely sharp. To ensure safety, wear gloves when handling all parts.

 **WARNING:** Do NOT operate the blower / ventilator system without the filters in place, or with dirty, grease laden filters.

### **FILTER REMOVAL:**

Each filter has two aluminum cylindrical knobs, one towards the rear and one towards the front. The front & rear knobs are only for grasping and are permanently connected to the filter. To remove the filter, grasp the front & rear knobs, slide the filter towards the center bar of the hood until the other end of the filter drops down. Grasping the filter, remove it from the hood by now pulling it out of the center bar.



### **OPERATING CONTROLS:**

Always activate the ventilator when using cooking appliances. Activate the ventilator a few minutes before starting to cook to establish an airflow pattern within the room. Adjust the fan speed as needed. Adjust the dimmable halogen lights as desired.



### **ENERGY SAVING TIPS:**

Do not operate the blower at a speed higher than necessary to remove the cooking exhaust. Turn off the unit once the smoke and cooking odors have been eliminated. Clean filters and grease laden surfaces often to improve efficiency.



### **CARE AND CLEANING:**

Proper cleaning is necessary to maintain performance and appearance, while also ensuring safe operation. The frequency of cleaning should be adjusted according to the type and amount of cooking. Best results will be achieved by cleaning soiled components as soon as possible. Filters must be cleaned regularly.

We recommend washing filters by placing them in the bottom rack of a dishwasher. Locate the holes on the sides of the filter. Put filter in dishwasher with holes facing up, so detergent can enter filters. Dry the filters completely before using again. Rinse and dry with a soft lint-free cloth. Always wipe stainless steel surfaces with the grain. Never wipe across the grain. After cleaning, reinstall the filters carefully. **Most common scrubber type pads will scratch the hood.**



**CAUTION:** If a commercially available stainless steel cleaner is used, it is important to read the labels for chlorine compounds. **Chlorine is a corrosive substance, DO NOT USE.** Follow polish manufacturer's instructions.



### **HALOGEN LIGHT BULBS:**

Hoods are designed for halogen light bulbs. They can be purchased at most home and/or grocery stores.

**We endeavor to incorporate the best technology provided to our industry, in manufacturing the TRADE-WIND® products, therefore, we reserve the right to change models, mode of operation, and specification without prior notice.**

PERFORMANCE · QUALITY · CUSTOMER SERVICE

## TRADE-WIND® VENTILATION PRODUCTS

### What IS Covered:

TRADE-WIND Manufacturing, LLC® warrants its TRADE-WIND® Ventilation Products to the original user to be free of defects in materials and workmanship for three (3) years from the date of purchase.

TRADE-WIND Manufacturing, LLC®, at its option, will repair or replace the complete unit or any defective component without charge. This warranty may be voided if any unauthorized service, alterations, or repairs are made to the product.

### What is NOT Covered:

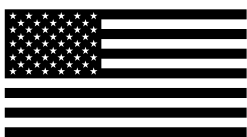
- Normal maintenance and service of any product that has been subject to misuse, negligence, accident, or installation inconsistent with the recommended TRADE-WIND® Installation Instructions and TRADE-WIND® Best Practices Guidelines.
- Product used other than for normal in-home use or products used outside of the United States and Canada.
- Damage to the product caused by accident, fire, flood, or other acts of God.
- Service calls to educate the customer in the proper use and care of the product, change fuses, or to reset the circuit breakers.
- Service calls to correct faulty installation, such as performance issues relating to improperly sized ducting or restrictive roof caps, are not covered and will, by default, be charged back to the Homeowner.
- Light bulbs are not covered under warranty.

TRADE-WIND Manufacturing, LLC® disclaims and excludes any liability for implied warranties or for incidental or consequential damages wherever permitted by law. There are no implied warranties of merchantability or fitness for a particular use or purpose. This warranty gives you specific legal rights, and you may also have other rights, which vary from state to state.

For Service: If you need service on your TRADE-WIND® Ventilation Product, visit our website at: [www.t-wusa.com](http://www.t-wusa.com) and click on the warranty tab. Fill out the simple form providing the model number, serial number, date of purchase, and brief description of the problem. Proof of purchase will also be required.

WARRANTY REVISED: JANUARY 1, 2023

For more information, please contact your dealer or your TRADE-WIND® representative.



MADE IN PHOENIX, AZ USA

800 WEST GRANT STREET  
PHOENIX, AZ 85007  
1-800-955-5737  
602-900-8500  
**T - W U S A . C O M**



TRADE-WIND Manufacturing, LLC® has a policy of continuous improvements and reserves the right to modify (at any time without notice) any or all of its products, features, designs, components and specifications. For further information on installation and wiring, see the installation instructions included with the product or visit us on the web.



## **ADDENDUM TO INSTALLATION INSTRUCTIONS**

- **IMPORTANT:** Problems caused by the improper installations are not covered by the manufacturer's warranty.
- **IMPORTANT:** Undersized and improperly installed duct pipe and/or other ventilation components will cause excessive static pressure (air resistance), that may result in rattling, vibration and air buffeting noises, as well as inadequate ventilation.

### **1. BUILDING CODES**

BBQ Hood Ventilators should be installed by qualified technicians familiar with state and local building codes.

### **2. DUCT PIPE & FITTINGS (ELBOWS, TRANSITIONS, ROOF & WALL CAPS)**

- a.) Use round or rectangular rigid metal duct only. Where possible, use round duct as it creates the least 1. amount of static pressure. **DO NOT USE FLEX DUCT.**
- b.) All duct sections and fittings (EXCEPT DAMPERS, per Section 4), should overlap and be connected with at least 3 – 4 equally spaced screws and wrapped tightly with 2 – 3 layers of Aluminum Foil Metal Duct Tape. This type of duct tape is more durable than traditional cloth duct tape. **DO NOT USE BUTT JOINTS.**
- c.) For best air flow, elbows and pipe size transition fittings should not be directly connected to one another. Where possible, always include at least 15 inches of straight pipe between fittings.

### **3. DUCT PIPE & FITTING SIZES** (See Duct Sizing Chart and Area Calculations section for more details)

- **IMPORTANT:** No portion of any length of duct pipe or fitting should be smaller than the discharge port of the ventilator. This is very important because any type of restriction anywhere in the ventilation system will cause increased static pressure (air resistance), that may result in rattling, vibration and air buffeting noises, as well as inadequate ventilation.

#### **DUCT RUNS - LENGTH**

- a.) Configure the ventilation duct run to be as short and as direct to the outside as possible. Minimize the number of elbows and transition fittings used. Complex or long runs should be reviewed by a qualified installer.
- b.) No portion of the ducting should be run so that the exhaust air flows downward. Since exhaust heat rises, forcing the air to flow downward will cause increased static pressure. **As previously mentioned, improperly installed duct pipe will cause excessive static pressure (air resistance), that may result in rattling, vibration and air buffeting noises, as well as inadequate ventilation.**
- c.) Duct runs for 1200 CFM ventilator models should not exceed 35 linear feet with two 90-degree elbows and two 45-degree elbows, a damper and a roof or wall cap. Longer runs or additional elbows will result in decreased ventilation performance. Each 90-degree elbow is the equivalent of 6 linear feet of duct pipe; each 45-degree elbow is equivalent to 3 linear feet of duct pipe.
- d.) Always run ventilator ducts to the outdoors. DO NOT terminate a duct into an attic, basement, garage, crawl space under a house, a chimney, other ducting or an enclosed room.

## 4. DAMPERS

### >>> IMPORTANT: DO NOT USE ANY TYPE OF DAMPER IN A BBQ HOOD APPLICATION.

In ventilation systems utilizing a roof cap or wall cap **with** a built-in damper, remove it. Dampers are unnecessary and will cause increased static pressure (air resistance), that **may result in rattling, vibration and air buffeting noises, as well as inadequate ventilation.**

## 5. ROOF CAPS & WALL CAPS

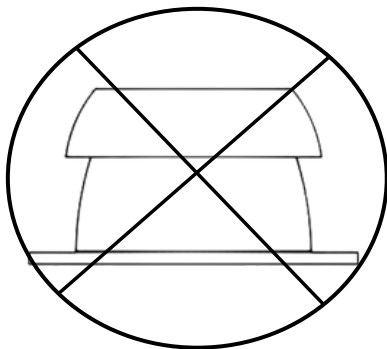
The roof cap or wall cap is the termination point of the venting system that allows the exhaust air to exit to the outdoors. All sections of this fitting must have an equal or greater air path area than the ventilator's discharge port. If any section of the roof cap or wall cap is smaller than the ventilator's discharge port, the entire ventilation system will lose efficiency and the restriction will cause increased static pressure and decrease performance.

>>> **IMPORTANT:** Even though the intake side of the roof cap or wall cap may be properly sized, roof caps or wall caps with built-in dampers must be made so that when the damper is fully open, the actual open area of the final air path is equal to or greater than the discharge port of the ventilator. Any undersized portion of a roof cap or wall cap will cause excessive static pressure that may result in rattling, vibration and air buffeting noises, as well as inadequate ventilation.

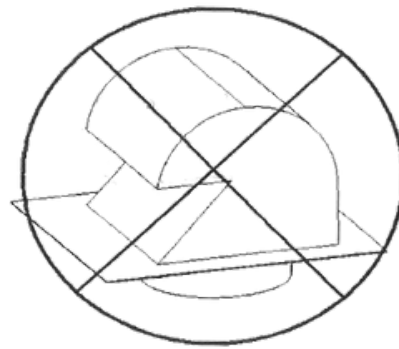
**Do not use "goose-neck style" caps as they significantly restrict natural, heated air-flow. Do Not use caps with dampers for BBQ Hoods.**

### ROOF CAP DRAWING

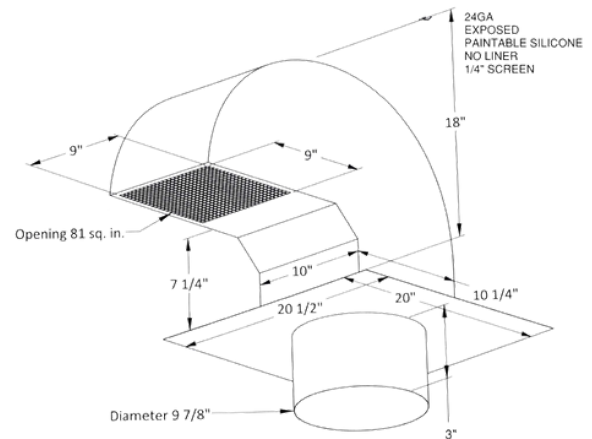
For higher profile roof tile, you may need a taller roof cap. See recommended dimensions below – Minimizes static pressure and maximizes air flow to ensure optimum performance of your TRADE-WIND® product.



No Mushroom Cap Style



No "Goose-Neck" Style



## 6. ATTACHING DUCT TO HOUSE FRAMEWORK

The ventilation system should be attached to the framework in such a manner that the weight of the duct and fittings is supported with no stress on the duct joints, fittings or on the ventilator. All ducting should be attached so as to avoid any possible duct vibration from being transferred to the house's framework.

## 7. DUCT SIZING CHART & AREA CALCULATION

VENTILATOR DISCHARGE PORT TYPES & SIZES	DUCT TYPE REQUIRED	DUCT SIZE (IN SQ. IN.)	MINIMUM DISCHARGE SIZE OF ROOFCAP OR WALLCAP OUTSIDE OPENING
6" DIAMETER, ROUND	6" ROUND METAL DUCT	28.3"	28.3"
7" DIAMETER, ROUND	7" ROUND METAL DUCT	38.5"	38.5"
8" DIAMETER, ROUND	8" ROUND METAL DUCT	50.25"/54"	50.25"/54"
10" DIAMETER, ROUND	10" ROUND METAL DUCT	78.5"	78.5"
3.25" x 10" RECTANGULAR	3.25" x 10" RECTANGULAR METAL DUCT	32.5"	32.5"

## ROUND DUCT

RADIUS X RADIUS X RADIUS = AREA (SQ. IN)

\_\_\_\_\_ X \_\_\_\_\_ X \_\_\_\_\_ = \_\_\_\_\_

## RECTANGULAR DUCT OR WALL/ROOF CAP

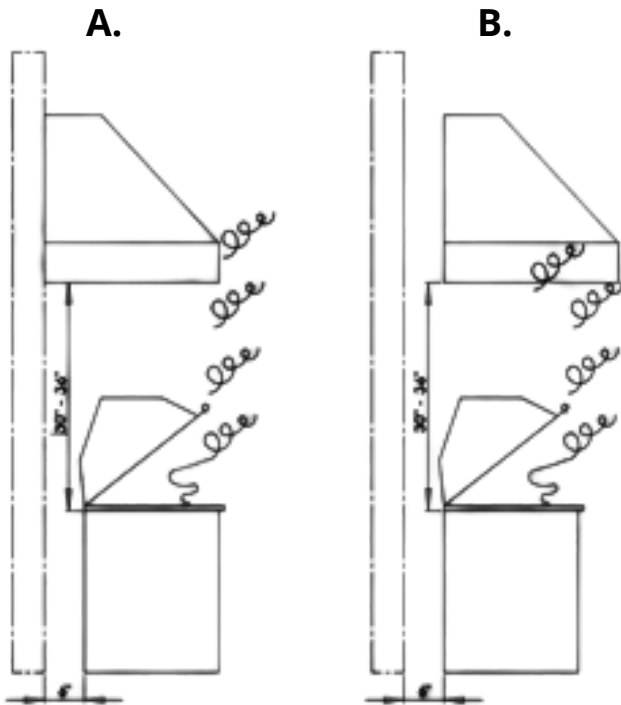
WIDTH X DEPTH = AREA (SQ. IN)

\_\_\_\_\_ X \_\_\_\_\_ = \_\_\_\_\_

The “radius” is one-half the diameter of a round duct, e.g., ½ of a 10” round duct is 5”.3.1416 is “Pi”, the “constant” used when calculating the area of a circle.

## 8. BEST SMOKE CAPTURE RECOMMENDATIONS

Smoke and hot air from an Outdoor BBQ Grill rises quickly, especially as the BBQ lid is opened. Not only does the smoke rise fast, but it is usually deflected forward (toward the cook) beyond the BBQ hood’s capture area by the shape and position of the BBQ lid itself. Heavy, fast rising smoke is a challenge even for high-performance BBQ hoods, but there are some things you can do to enhance your outdoor BBQ hood’s performance.



**a.)** Install the hood at the recommended 36” above the cooking surface. If the hood is installed more than the recommended 36” above the cooking surface, its’ smoke capture ability declines rapidly. **See Drawing A.**

**b.)** Since smoke also expands as it rises, the hood’s sides and front edge should extend 3” – 6” beyond the front and sides of the cooking surface—see **Drawing B.** In this example, the hood is attached to a built-out section of the wall or to a chase. It is unlikely that smoke rising past the bottom of the BBQ hood will be captured by the hood. Smoke escaping the hood’s capture area will typically remain against the ceiling until it is blown out by natural air currents or until it dissipates.

**c.)** Turn the hood on high 2 -3 minutes prior to placing food on the grill. If there is no wind or wind drafts, an upward flowing air “curtain” will be created by the hood’s suction that moves air up the sides and front of the cooking surface. This upward moving air curtain will help capture much of the smoke.

**d.)** Wind and wind drafts will also negatively affect the capture ability of high-performance outdoor BBQ hoods. If the BBQ grill is located in a consistently windy area, e.g., near oceans, large lakes or on hillside properties, for best BBQ hood performance, a wind-break may be required.