

PERFORMANCE · QUALITY · CUSTOMER SERVICE

QUIET OPERATION

- Large 3-speed blower operates at lower RPM reducing the sound level

EASY CLEANING

- Dishwasher-safe commercial-style baffle filters with 2 easy-grip handles
- Detergent inlet holes and grease exit holes in baffle filters for superior dishwasher cleaning

DISTINCTIVE LOW-PROFILE DESIGN

- Pyramid hood shape with telescopic duct cover to 10' ceiling included
- Electronic touch controls with blue LED lighting
- Simplicity of design preferred by homeowners

EASE OF OPERATION

- Remote control included with purchase
- Optional automatic 5 minute shut off timer

SIMPLE INSTALLATION

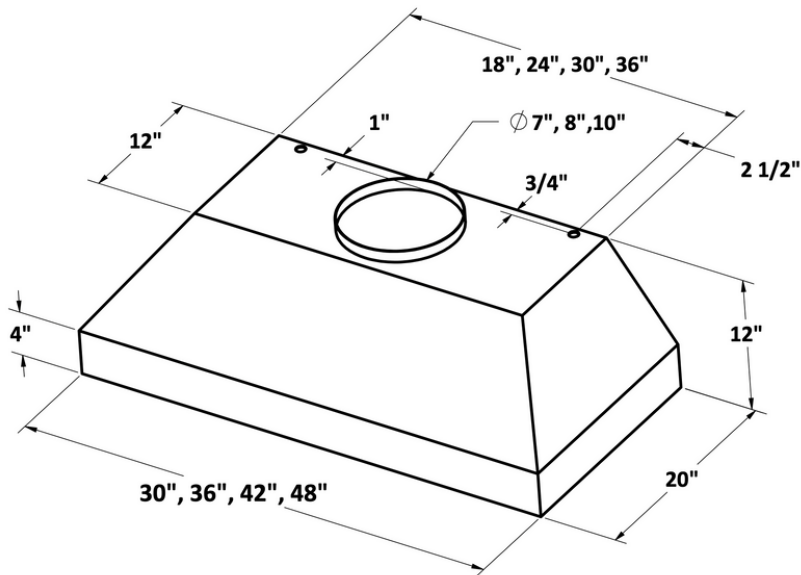
- Installs easily to desired ceiling height with telescopic duct cover
- Wiring diagram label for simple electrical connection

ENDURING QUALITY

- Commercial grade stainless steel (#304 grade) and galvanized steel construction
- LED lights brighten cooking area
- CFM and sound tested by Energy Systems Laboratory at Texas A&M University

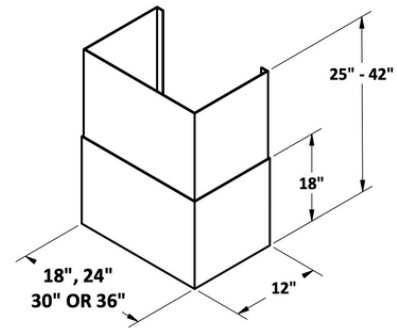


MODEL	FRONT TO BACK	WIDTH	COLOR	3-SPEED INTERNAL BLOWER	CFM	LED LIGHTS	S/S BAFFLE FILTERS	REMOTE CONTROL	DUCT COLLAR	ELECTRONIC TOUCH CONTROL
P32303RC	20"	30"	S/S	✓	390	2	✓	✓	7"	✓
P32306RC	20"	30"	S/S	✓	600	2	✓	✓	8"	✓
P32363RC	20"	36"	S/S	✓	390	2	✓	✓	7"	✓
P32366RC	20"	36"	S/S	✓	600	2	✓	✓	8"	✓
P32423RC	20"	42"	S/S	✓	390	2	✓	✓	7"	✓
P32426RC	20"	42"	S/S	✓	600	2	✓	✓	8"	✓
P32487RC	20"	48"	S/S	✓	780	3	✓	✓	10"	✓



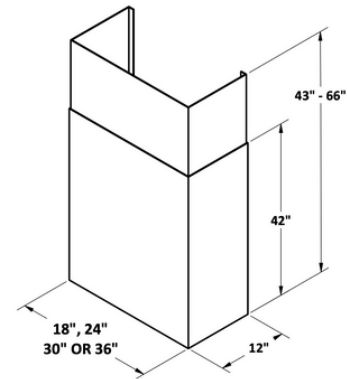
RANGE HOODS

OPTIONAL DUCTLESS CONVERSION KIT MODEL #: 5BL-33-300-DCK1 (390 CFM MODELS ONLY)



DUCT COVER

*Included for ceilings 8' to 10'



DUCT COVERS: MODEL #: PDC3230, PDC3236, PDC3242, PDC3248

*Sold separately for ceilings 10' to 12'

For more information, please contact your dealer or your TRADE-WIND® representative.



800 WEST GRANT STREET
PHOENIX, AZ 85007
1-800-955-5737
602-900-8500
T - W U S A . C O M



TRADE-WIND Manufacturing, LLC has a policy of continuous improvements and reserves the right to modify (at any time without notice) any or all of its products, features, designs, components and specifications. For further information on installation and wiring, see the installation instructions included with the product or visit us on the web.