

Product Dimensions and Cutout Requirements

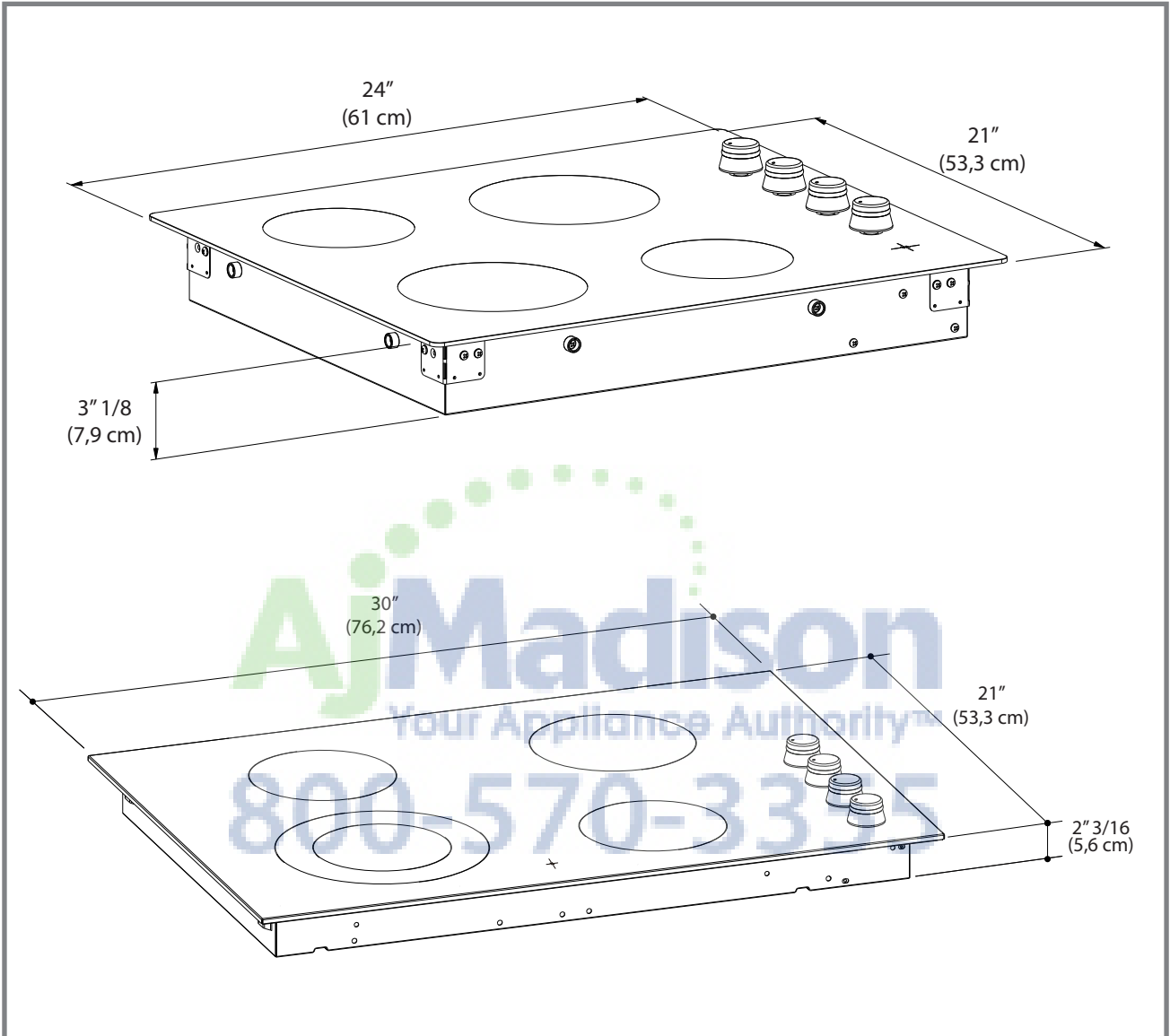


Figure 1. Energy regulator

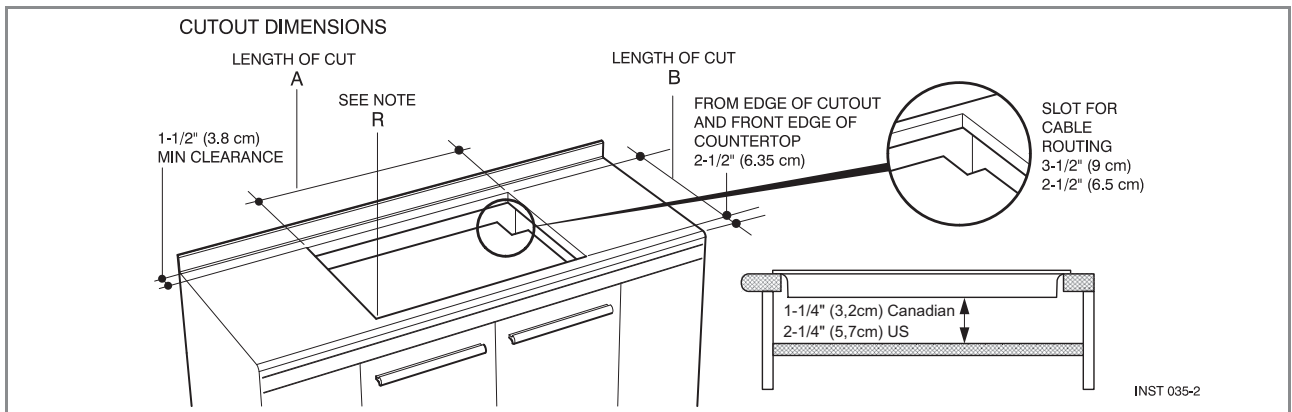


Figure 2

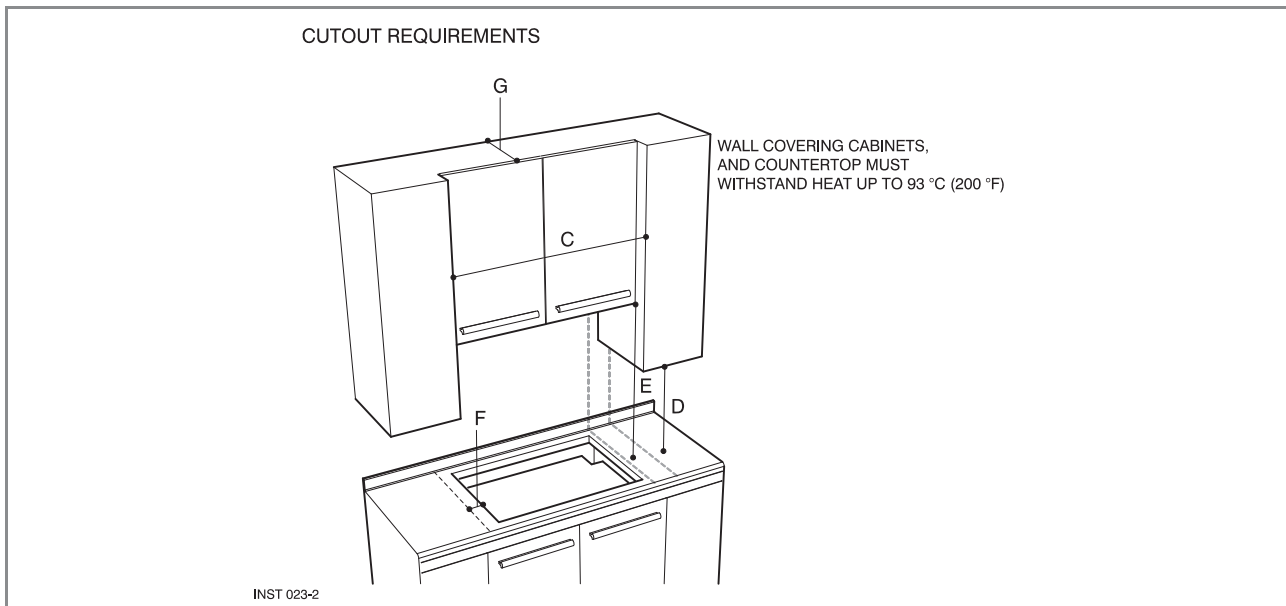


Figure 3. Cutout dimensions and requirements

CUTOUT WIDTH	A	B	C	D	E	F	G	
24" (60 cm)	22 5/8" (57,4 cm) 22 13/16" (58,0 cm)	19-1/4" (49,0 cm) 19-9/16" (49,7 cm)	24" (60 cm) min	18" (45,7 cm) min Height from countertop to nearest cabinet on either side of unit	30" (76,2 cm) min. (see note*) Clearance from countertop to unprotected overhead surface	2" (5 cm) min Clearance from cutout to side wall on the left and right of the unit	13" (33 cm) Depth of unprotected overhead cabinets	
30" (76,2cm)	28-11/16" (72,9 cm) 28 15/16" (73,5 cm)	19-1/4" (49,0 cm) 19-9/16" (49,7 cm)	30" (76,2 cm) min					
IMPORTANT Under the cooktop it is necessary to install a partition, spaced at least 15 mm. from the bottom of the appliance as shown in figure 3 .			* NOTE 24" (61 cm) min. clearance if bottom of wood or metal cabinets is protected by not less than 1/4" (0.6 cm) flame retardant millboard covered with no less than No. 28 MSG sheet steel 0.015" (0.04 cm) stainless steel, or 0.024" (0.06 cm) aluminum or 0.020" (0.05cm) copper. 30"(76.2 cm) min. clearance between top of cooking platform and bottom of unprotected wood or metal cabinet					

Important Preparation Suggestions

1. Chamfer all exposed edges of decorative laminate to prevent damage from chipping.
2. **Radius corners of cutout and file to insure smooth edges and prevent corner cracking. Recommend 1/4" or 3/8" diameter drill in each corner.**
3. Rough edges, inside corners which have not been rounded and forced fits can contribute to cracking of the countertop laminate.

This cooktop has been designed with wide tolerances of cut-out to cover possible replacement with other brands. We recommend to that you consider the minimum dimension of cut-out size in the case of new installation. Some cut out sizes for possible replacements:

Dim .	Inches	cm
• 24"	22 13/16" x 19-9/16"	58,0 x 49,7
• 30"	28-15/16" x 19-9/16"	73,5 x 49,7