

SPARE PARTS CATALOG

OFFICE PRO 18



MOVINCOOL®
THE #1 SPOT COOLING SOLUTION

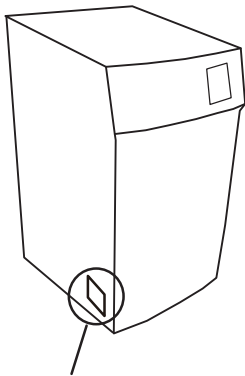
DocID: 00G00077EB

Table of Contents

No.	UNIT PART NUMBER	SERIAL NUMBER RANGE	REFRIGERANT	SECTION
1	GX484000-3711	0407XXXX180 to Present (From April 2007 to Present)	R410A	Page 3 ~ 13 SP0023-02
	GX484000-3710			
2	LA484000-3400	1002XXXX180 to 0307XXXX180 (From October 2002 to March 2007)	R22	Page 15 ~ 25 SP0022-02
	LA484000-2911			

SERIAL NUMBER LOCATION AND IDENTIFICATION

Nameplate Label



Nameplate Label Position

COOLING AMPS. WITH PUMP

COMPR. OUTPUT

REFRIGERANT/TOTAL CHARGE

DESIGN PRESSURE LO/HI

PART NO./WEIGHT

SERIAL NO.

Month
Year

Model
Sequential
Number

© 2012 DENSO SALES CALIFORNIA, INC.

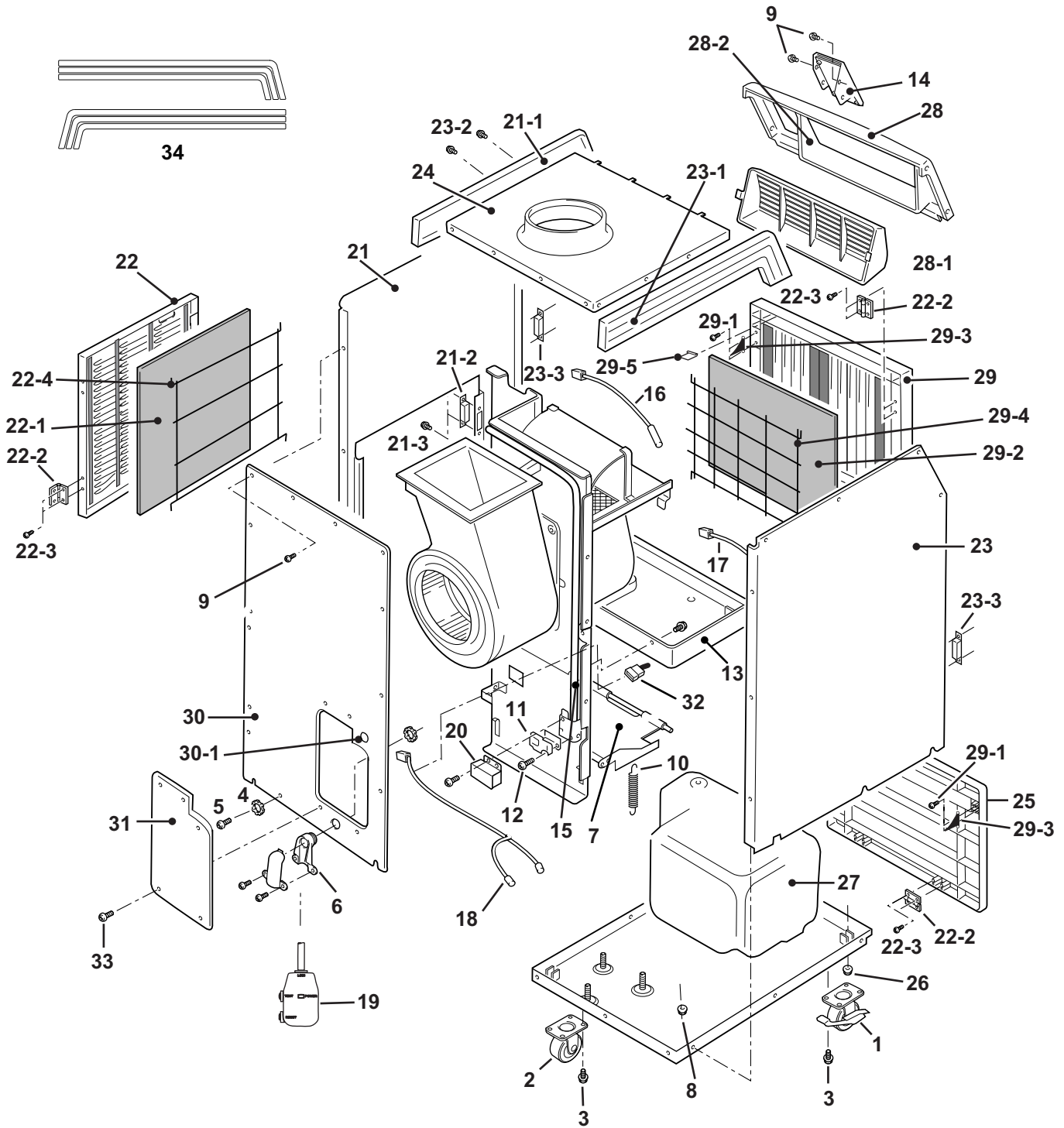
All rights reserved. This book may not be reproduced or copied, in whole or in part, without the written permission of the publisher. DENSO SALES CALIFORNIA, INC. reserves the right to make changes without prior notice. MovinCool®, Office Pro® and SpotCool® are registered trademarks of DENSO Corporation.

OFFICE PRO 18

Unit Part No: GX484000-3711
GX484000-3710

Unit Serial Number Range:
0407XXXX180 to Present
(From April 2007 to Present)

OFFICE PRO 18



ILL00072-01

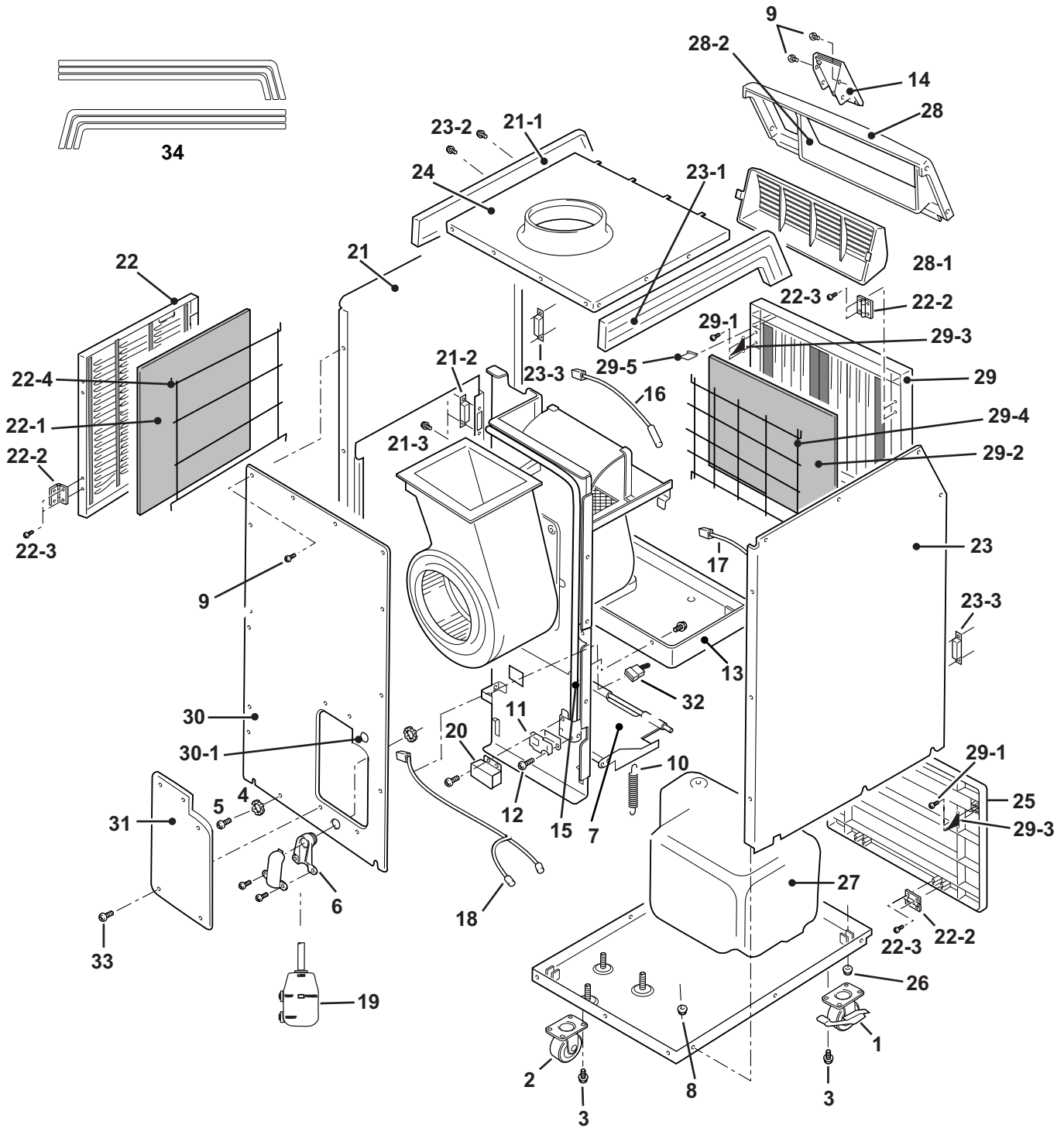
OFFICE PRO 18

ILL. NO.	DESCRIPTION	PART NO.	QTY.	UNIT SERIAL NO. RANGE*	REMARKS
1	Caster w/Brake	LA484702-0330	2		
2	Caster	LA484702-0340	2		
3	Bolt w/Washer	91510-08141	8		M8×1.25, L=14
4	Washer, Plate	90201-06400	1		Ground
5	Screw	90051-06120	1		Ground (M6×1, L=12)
6	Connector (Retainer, Power Cord)	LA484506-0090	1		
7	Frame Sub-Assy	LA484310-3600	1		For Drain Tank
8	Nut	949056-1501	7		M4×0.7
9	Screw	949006-5850	49		M4×0.7, L=10
10	Spring, Tension Coil	484917-0680	2		For Drain Tank
11	Switch, Drain Tank	LA484502-0380	1		For Drain Tank
12	Screw w/Washer	91310-03161	2		M3×0.5, L=16
13	Pan Assy, Drain	LA484430-0120	1		
14	Switch Assy	GX484560-1823	1		Operation Panel & PCB
15	Wire Assy	GX484930-9122	1		Main Harness (RB)↔(CB)
16	Thermistor, Room Temperature	LAY84532-0022	1		
17	Thermistor, Anti-Freeze Up	LAY84532-0011	1		
18	Wire Assy, Drain Pump	LA484930-8330	1		
19	Wire Assy, Power Cord	LA484930-8680	1		LCDI
20	Cover	LA484391-1870	1		
21	Panel Assy	GX484410-8370	1		w/ILL.NO.21-1~21-3
21-1	Right Handle	LA484450-0051	1		
21-2	Holder (Magnet Type)	484927-0990	2		
21-3	Screw	949006-4440	4		M3×0.5, L=8
22	Panel Assy	GX484410-8130	1		Filter Panel Condenser w/ILL.NO.22-1~22-4
22-1	Filter (Condenser)	GX484401-1660	1		
22-2	Hinge	LA484912-0040	6		
22-3	Screw	949006-3300	22		M3×0.5, L=6
22-4	Wire Frame (Condenser)	GX484310-5040	1		
23	Panel Assy, Left	GX484410-8430	1		w/ILL.NO.23-1~23-3
23-1	Left Handle	LA484450-0061	1		
23-2	Screw, Tapping	949001-3530	23		D4, L=10
23-3	Catch	LA481922-0030	3		Door Hook
24	Panel Assy, Top Rear	LA484410-5021	1		
25	Panel Assy, Drain Tank	LA484410-5031	1		w/ILL.NO.22-2~22-3, 29-1, 29-3
26	Nut	91160-03241	4		M3×0.5
27	Tank, Drain	484731-0220	1		

*: Please refer to page number 2 for the position of the nameplate showing the serial number on the unit.

"Unit Serial Number Range*" column indicates the first four digits of the unit serial number.

OFFICE PRO 18



ILL00072-01

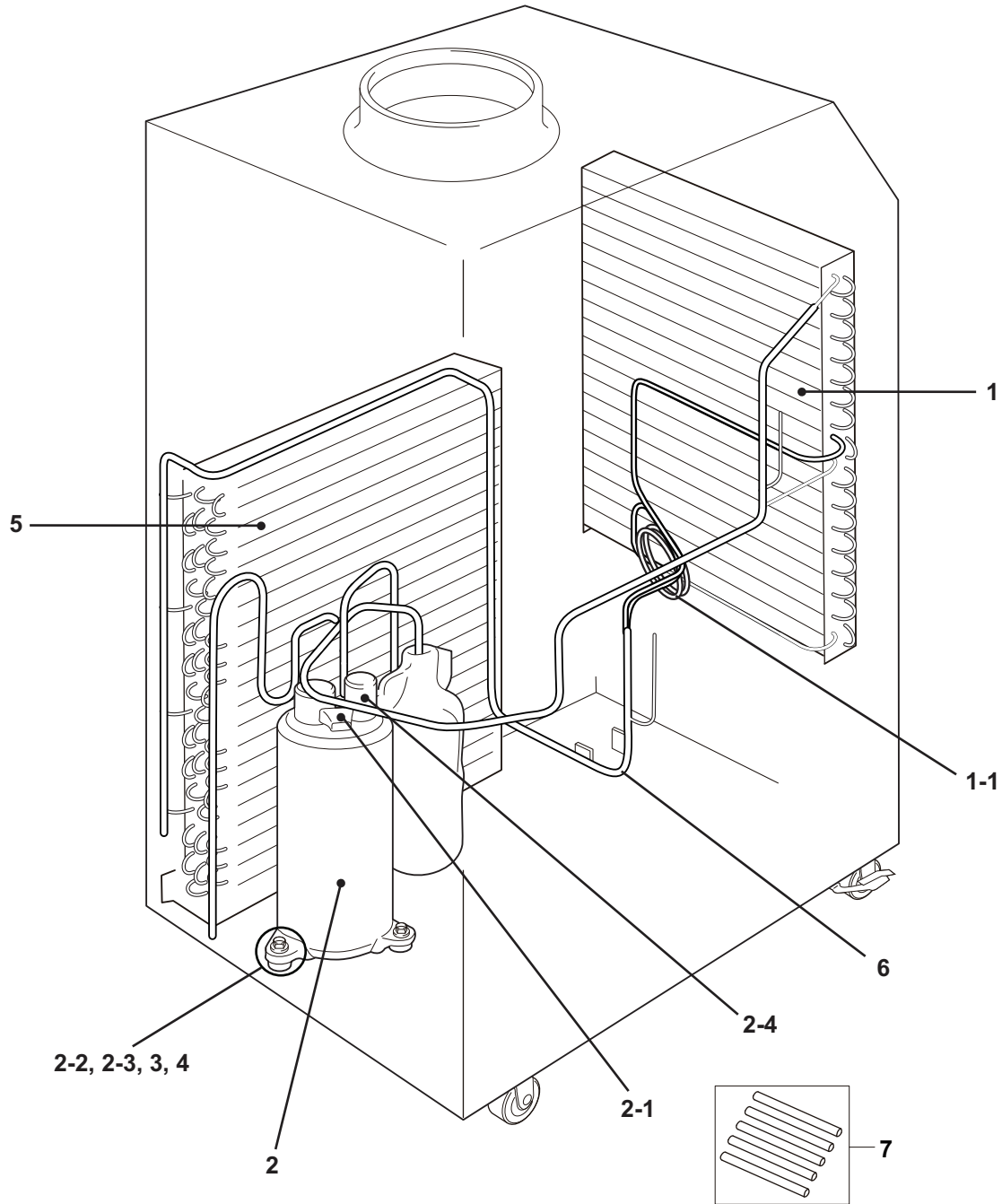
OFFICE PRO 18

ILL. NO.	DESCRIPTION	PART NO.	QTY.	UNIT SERIAL NO. RANGE*	REMARKS
28	Panel Assy, Top Front	LA484410-5041	1		w/ILL.NO.28-1~28-2
28-1	Air Louver, Outlet	LA480431-0091	1		
28-2	Pin	LA484913-0070	2		
29	Panel Assy, Front Filter	LAY84410-0021	1		w/ILL.NO.22-2~22-3, 29-1~29-5
29-1	Screw, Tapping	LA949001-1730	6		D4, L=16
29-2	Filter	LA484401-1160	1		
29-3	Holder	LA484927-1010	3		Door Hook
29-4	Wire Frame (Evaporator)	LAY84310-0020	1		
29-5	Clip	LAY84917-0050	2		Holder, Wire Frame
30	Panel Assy, Rear	GX484410-8400	1		w/ILL.NO.30-1
30-1	Cap Cover	GX484926-0700	1		
31	Panel Assy, Service	GX484410-8410	1		
32	Connector, Jumper	LA484930-8160	1		Drain Pump
33	Screw w/Washer	480919-0370	20		M4×0.7, L=10
34	Stripe Kit Assy	LA484003-1110	1		6 each (Both Sides)

*: Please refer to page number 2 for the position of the nameplate showing the serial number on the unit.

"Unit Serial Number Range*" column indicates the first four digits of the unit serial number.

OFFICE PRO 18



ILL00073-00

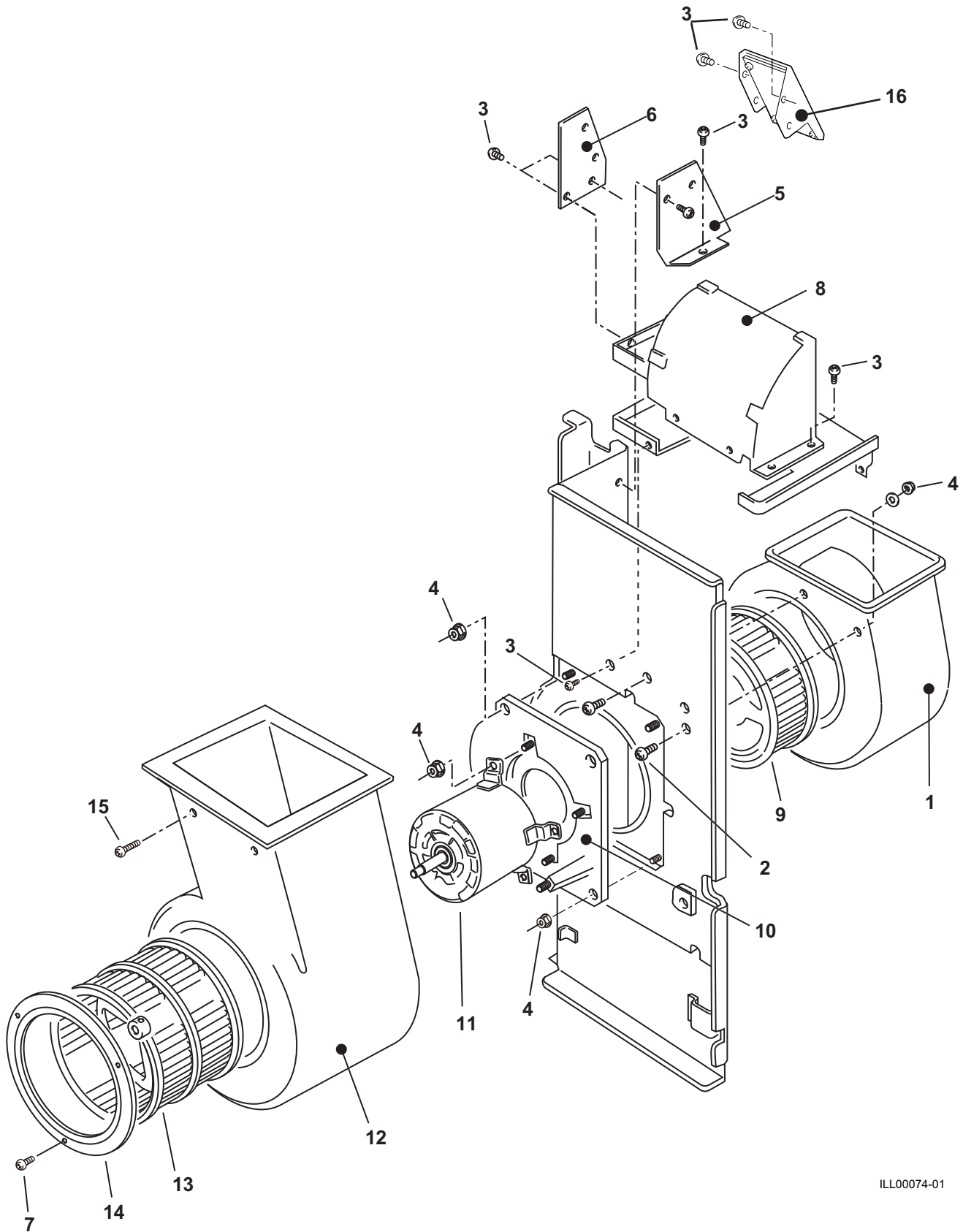
OFFICE PRO 18

ILL. NO.	DESCRIPTION	PART NO.	QTY.	UNIT SERIAL NO. RANGE*	REMARKS
1	Core Assy, Evaporator	GX484600-2640	1	1010 to Present	w/ILL.NO.1-1
		GX484600-2181	1	0407 to 0910	w/ILL.NO.1-1
1-1	Pipe Assy, Capillary	GX484800-5060	1	1010 to Present	
		GX484800-4181	1	0407 to 0910	
2	Compressor Assy	GX484650-3110	1	1010 to Present	w/Pipe for Discharge & Suction w/ILL.NO.2-1~ 2-4
		GX484650-2610	1	0407 to 0910	w/Pipe for Discharge & Suction w/ILL.NO.2-1~ 2-4
2-1	Wire Assy	GX484930-9110	1		For Compressor
2-2	Cushion	GX484904-0380	3		
2-3	Collar	GX484915-0410	3		
2-4	Overload Relay	GX484501-0410	1		Inside Compressor Cover
3	Washer, Steel Plate	949011-5330	3		
4	Nut	90190-08651	3		M8×1.25
5	Core Assy, Condenser	GX484600-2130	1		
6	Pipe Assy, Connecting	GX484800-4200	1		
7	Pipe Assy, Charging	484800-0440	1		5 pieces per package

*: Please refer to page number 2 for the position of the nameplate showing the serial number on the unit.

"Unit Serial Number Range*" column indicates the first four digits of the unit serial number.

OFFICE PRO 18



ILL00074-01

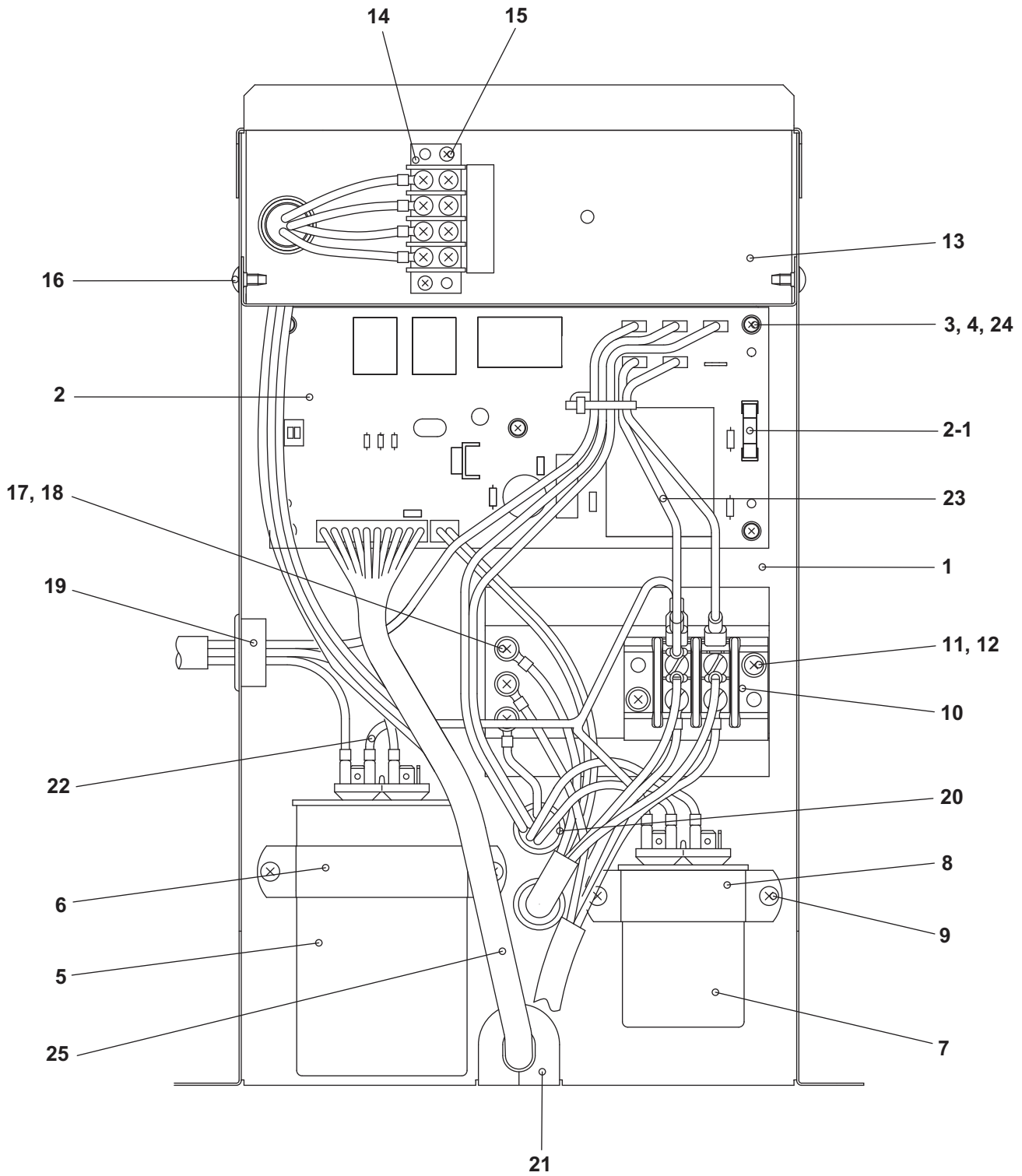
OFFICE PRO 18

ILL. NO.	DESCRIPTION	PART NO.	QTY.	UNIT SERIAL NO. RANGE*	REMARKS
1	Casing, Evaporator Fan	LA484261-0260	1		
2	Screw w/Washer	91370-06161	4		M6×1, L=16
3	Screw	949006-5850	10		M4×0.7, L=10
4	Nut	949056-1430	14		M6×1
5	Stay, Control Panel Left	GX484340-3040	1		
6	Stay, Control Panel Right	LA484331-6670	1		
7	Screw w/Washer	91370-04101	3		M4×0.7, L=10
8	Stay Sub-Assy	LA484340-0920	1		
9	Fan, Evaporator	LA484221-0360	1		w/Set Screw
10	Motor Stay	LA484330-0500	1		
11	Fan Motor	LA484211-1343	1		
12	Casing Assy, Condenser Fan	LA484260-0310	1		
13	Fan, Condenser	LA484221-0370	1		w/Set Screw
14	Ring Sub-Assy	LA484280-0090	1		
15	Screw w/Washer	949007-3600	2		M4×0.7, L=16
16	Switch Assy	GX484560-1823	1		Operation Panel & PCB

*: Please refer to page number 2 for the position of the nameplate showing the serial number on the unit.

"Unit Serial Number Range*" column indicates the first four digits of the unit serial number.

OFFICE PRO 18



ILL00075-00

OFFICE PRO 18

ILL. NO.	DESCRIPTION	PART NO.	QTY.	UNIT SERIAL NO. RANGE*	REMARKS
1	Box Sub-Assy	GX484520-1073	1		
2	Relay Board	GX484500-3580	1		w/ILL.NO.2-1
2-1	Fuse, Relay Board	LAY65765-0030	1		250mA, 250V
3	Spacer	LA484921-0150	5		
4	Screw w/Washer	91370-03081	5		M3×0.5, L=8
5	Capacitor, Compressor	GX484507-1650	1		370VAC, 60μF
6	Holder, Capacitor	LA484927-1020	1		For Compressor
7	Capacitor, Fan	LA484507-0890	1		370VAC, 7.5μF
8	Holder, Capacitor	LA484927-0880	1		For Fan
9	Screw	949006-3250	4		M4×0.7, L=10
10	Terminal Block	LA484503-040A	1		For Power
11	Screw	949006-3280	2		M4×0.7, L=18
12	Washer, Plate	90200-04331	2		
13	Bracket	GX484391-2220	1		
14	Terminal Block	GX484503-0840	1		For Input/Output Signal
15	Screw w/Washer	91310-03161	2		M3×0.5, L=16
16	Screw	949006-5850	4		M4×0.7, L=10
17	Screw	91051-04100	3		Ground (M4×0.7, L=10)
18	Washer, Plate	90201-04300	3		Ground
19	Grommet	LA484926-0490	1		For Compressor Wire
20	Grommet	LA484926-0500	3		
21	Grommet	484926-0290	1		For Main Wire
22	Wire Assy	LA484930-5222	1		(CF, CC)↔(TB)
23	Wire Assy	LA484930-523A	1		(TB)↔(RB)
24	Washer, Plate	90200-03211	5		
25	Wire Assy	GX484930-9122	1		Main Harness (RB)↔(CB)

*: Please refer to page number 2 for the position of the nameplate showing the serial number on the unit.

"Unit Serial Number Range*" column indicates the first four digits of the unit serial number.

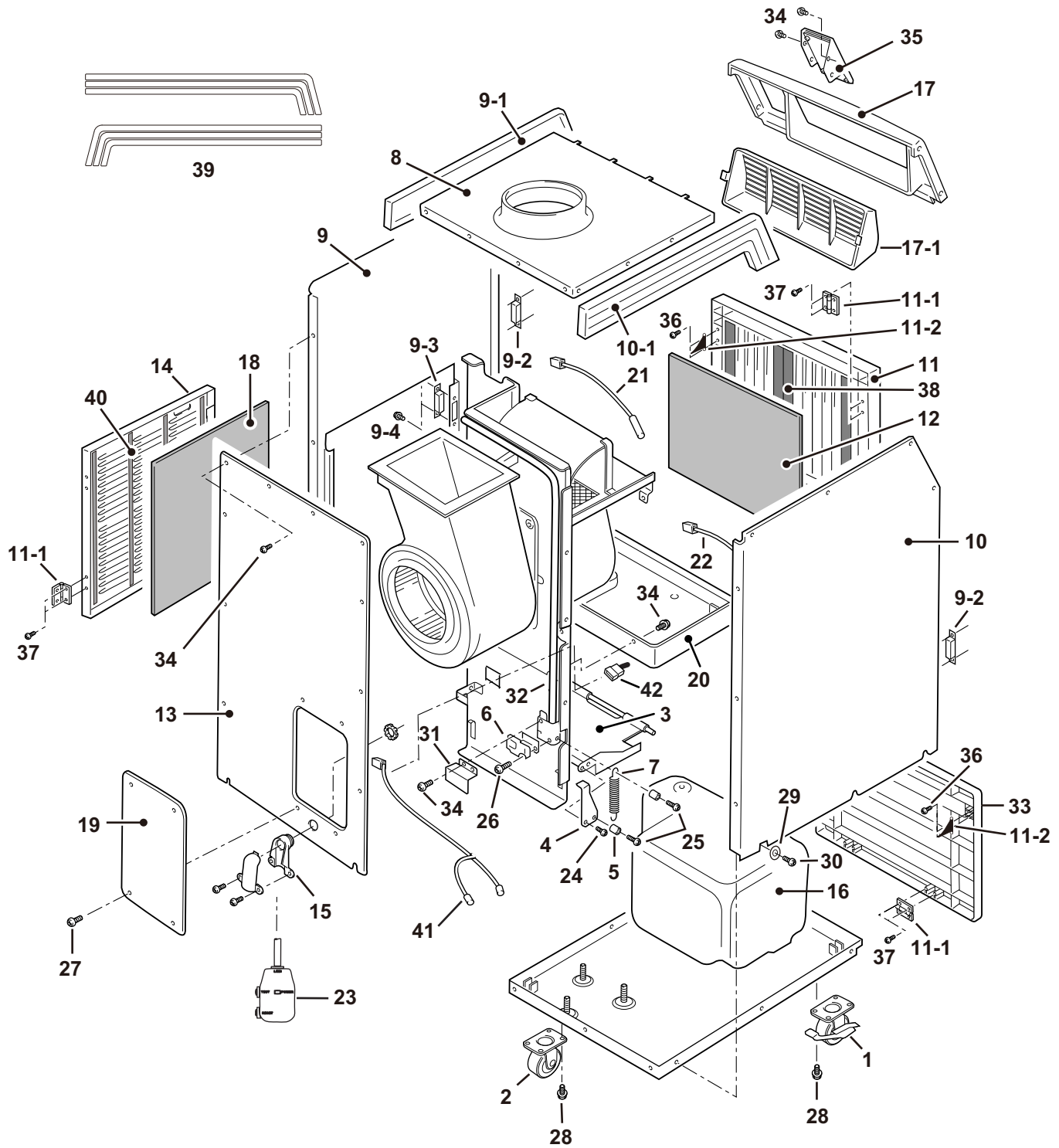
[Memo]

OFFICE PRO 18

Unit Part No: LA484000-3400
LA484000-2911

Unit Serial Number Range:
1002XXXX180 to 0307XXXX180
(From October 2002 to March 2007)

OFFICE PRO 18



ILL00068-01

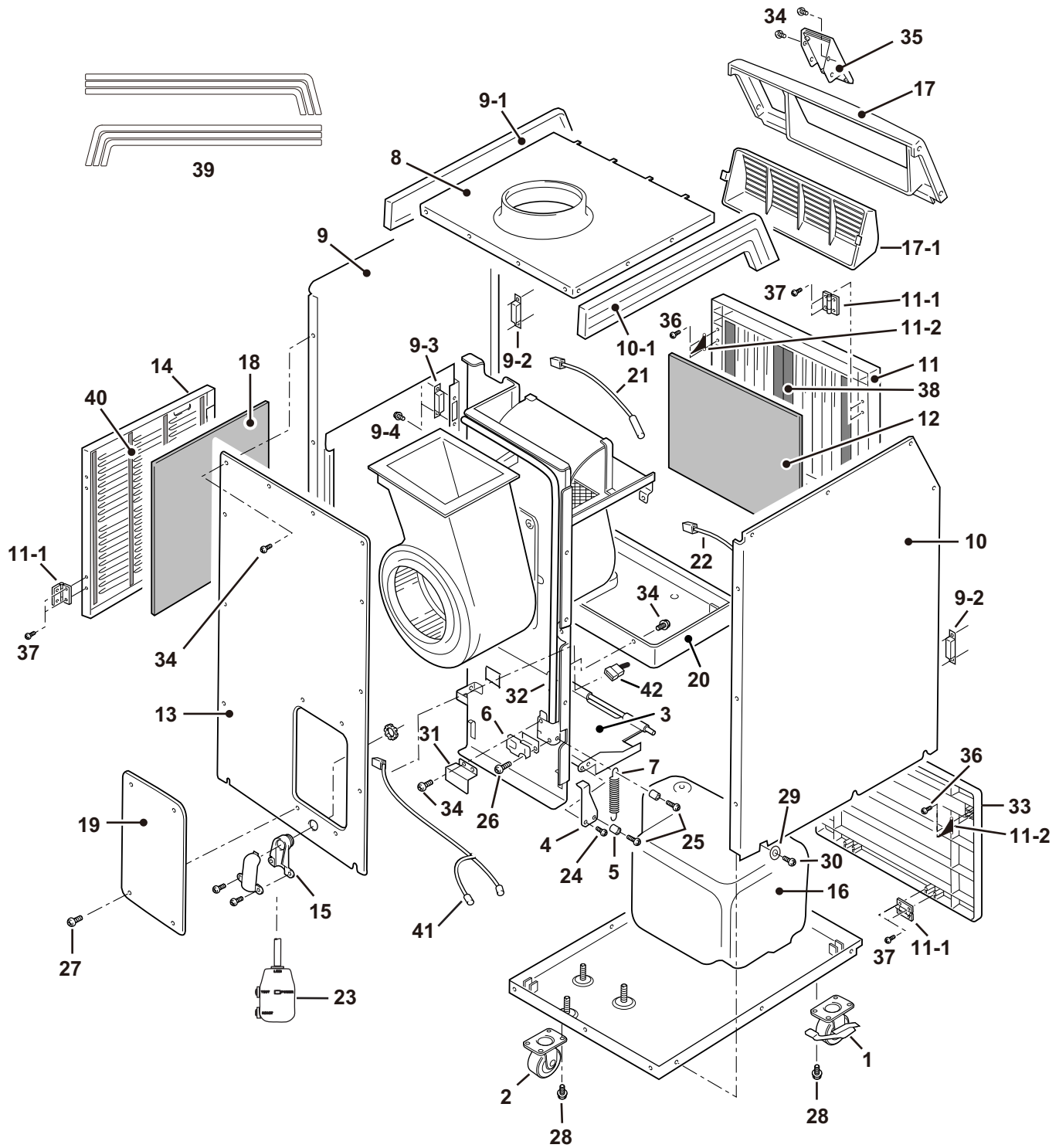
OFFICE PRO 18

ILL. NO.	DESCRIPTION	PART NO.	QTY.	UNIT SERIAL NO. RANGE*	REMARKS
1	Caster w/Brake	LA484702-0330	2		
2	Caster	LA484702-0340	2		
3	Frame Sub-Assy (Drain Tank)	LA484310-3600	1	0103 to 0307	
		LAY84310-0010	1	1002 to 1202	
4	Bracket	LA484321-0510	1	1002 to 1202	
5	Socket	480837-0030	4	1002 to 1202	
6	Switch Assy, Drain Tank	LA484502-0380	1		
7	Spring, Tension Coil	484917-0680	2		
8	Panel, Top Rear	LA484410-5021	1		
9	Panel, Right	LA484410-6520	1		w/Right Handle and Catch w/ILL.NO.9-1~9-4
9-1	Right Handle	LA484450-0051	1		
9-2	Catch	LA481922-0030	4		
9-3	Holder (Magnet Type)	484927-0990	2		
9-4	Screws	949006-4440	4		M3×0.5, L=8
10	Panel, Left	LA484410-6730	1		w/Left Handle and Catch w/ILL.NO.10-1
10-1	Left Handle	LA484451-0061	1		
11	Panel Assy, Front Filter (Evap.)	LAY84410-0021	1		w/ILL.NO.11-1~11-2
11-1	Hinge	LA484912-0040	6		
11-2	Holder (Hook Type)	LA484927-1010	4		
12	Filter (Evap.)	LA484401-1160	1		
13	Panel, Rear	LA484410-6431	1		
14	Panel Assy, Side Filter (Cond.)	LA484410-5550	1		
15	Retainer, Power Cord	LA484506-0090	1		
16	Tank, Drain	484731-0220	1		
17	Panel Assy, Top Front	LA484410-5041	1		w/Packing and Pins w/ILL.NO.17-1
17-1	Air Louver, Outlet	LA480431-0091	1		
18	Filter (Condenser)	LA484401-1220	1		
19	Panel, Service	LA484410-7640	1	0505 to 0307	
		LA484410-6440	1	1002 to 0405	
20	Drain Pan Assy	LA484430-0120	1		
21	Thermistor, Room Temp	LAY84532-0021	1		
22	Thermistor, Anti-Freezing Up	LAY84532-0011	1		
23	Power Cord Assy	LA484930-8680	1		LCDI
24	Screw w/Washer	91370-04101	1		M4×0.7, L=10
25	Screw	91060-04161	4		M4×0.7, L=16
26	Screw w/Washer	91310-03161	2		M3×0.5, L=16
27	Screw	480919-0370	27		M4×0.7, L=10

*: Please refer to page number 2 for the position of the nameplate showing the serial number on the unit.

"Unit Serial Number Range*" column indicates the first four digits of the unit serial number.

OFFICE PRO 18



ILL00068-01

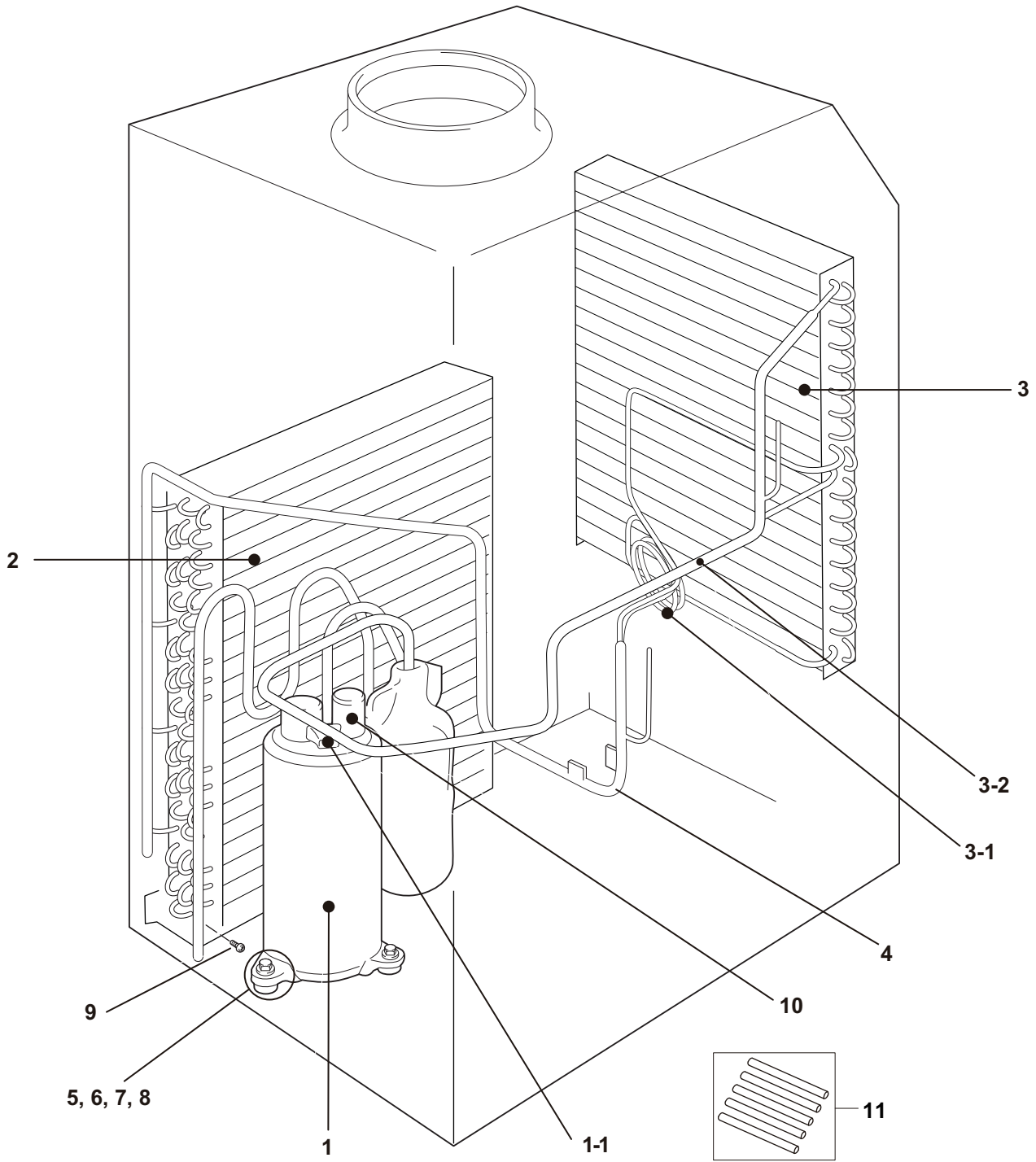
OFFICE PRO 18

ILL. NO.	DESCRIPTION	PART NO.	QTY.	UNIT SERIAL NO. RANGE*	REMARKS
28	Bolt w/Washer	91510-08141	8		M8×1.25, L=14
29	Washer, Plate	90201-06400	1		Ground
30	Screw	90051-06120	1		Ground (M6×1, L=12)
31	Cover, Drain Switch	LA484391-1860	1		
32	Wire Harness	LA484930-6850	1		Main Harness (RB)↔(CB)
33	Panel Assy, Drain Tank	LA484410-5031	1		
34	Screw	949006-5850	42		M4×0.7, L=10
35	Switch Assy	GX484560-1823	1		Operation Panel & PCB
36	Screw, Tapping	LA949001-1730	8		D4, L=16
37	Screw	949006-3300	12		M3×0.5, L=6
38	Velcro	LA484311-2110	4		Evaporator
39	Stripe Kit Assy	LA484003-1110	1		6 each (Both Sides)
40	Velcro	LA484311-2071	4		Condenser
41	Wire Assy	LA484930-8330	1	0605 to 0307	For LA484000-3400 Unit Drain Pump
42	Connector, Jumper	LA484930-8160	1	0605 to 0307	For LA484000-3400 Unit Drain Pump

*: Please refer to page number 2 for the position of the nameplate showing the serial number on the unit.

"Unit Serial Number Range*" column indicates the first four digits of the unit serial number.

OFFICE PRO 18



ILL00069-00

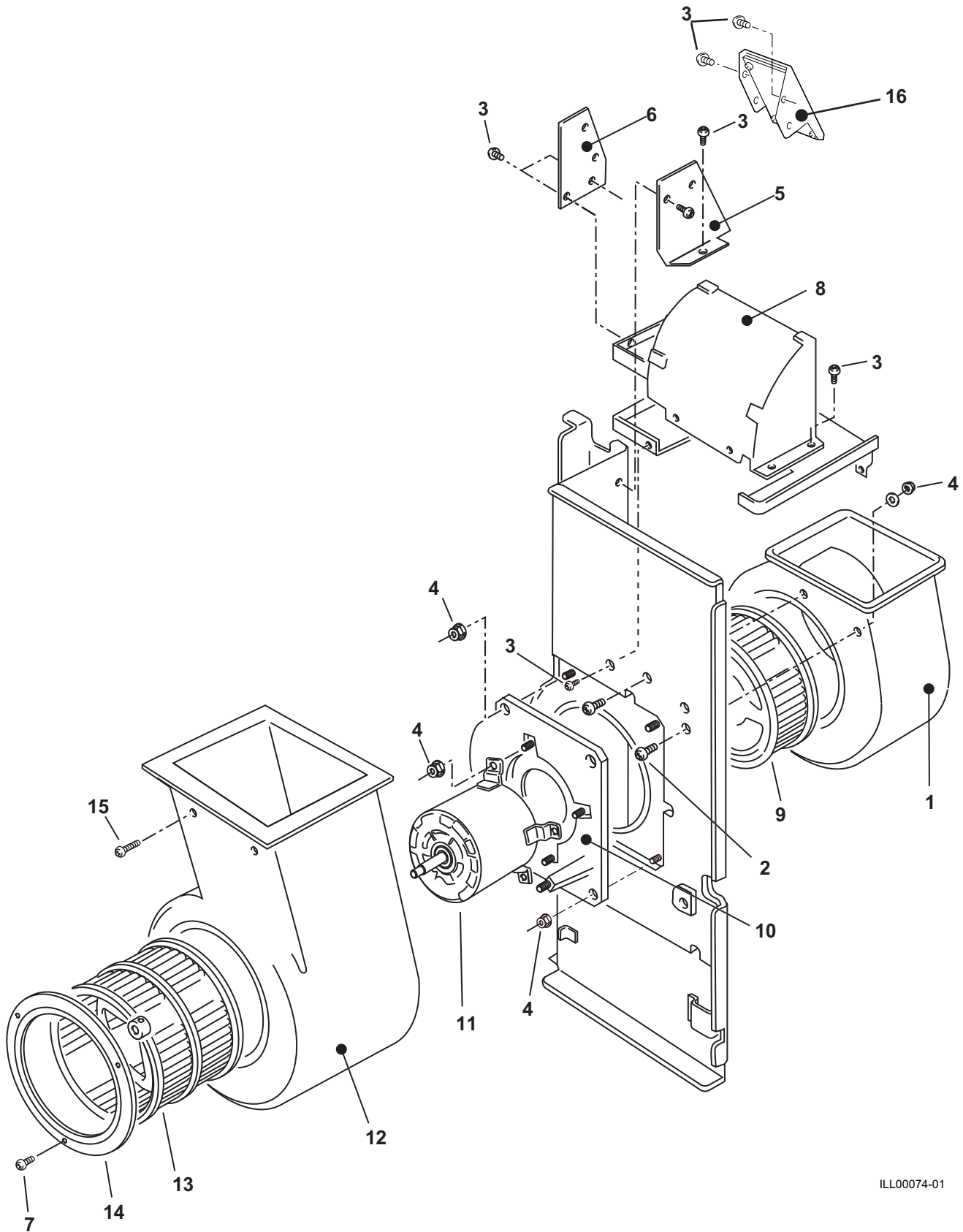
OFFICE PRO 18

ILL. NO.	DESCRIPTION	PART NO.	QTY.	UNIT SERIAL NO. RANGE*	REMARKS
1	Compressor Assy	LA484650-1811	1		w/Pipe for Discharge & Suction w/ILL.NO.1-1
1-1	Wire Assy	LA484930-6822	1		For Compressor
2	Core Assy, Condenser	LA484600-1631	1		
3	Core Assy, Evaporator	LA484600-1621	1		w/ILL.NO.3-1~3-2
3-1	Pipe Assy, Capillary	LA484800-3340	1		
3-2	Pipe Assy, Evap. Outlet	LA484800-3331	1		
4	Pipe Assy, Connecting	LA484800-3350	1		
5	Cushion	LA484904-0240	3		
6	Collar, Steel	LA484915-0320	3		
7	Washer, Steel Plate	949011-5330	3		
8	Nut	90190-08651	3		M8×1.25
9	Screw, Tapping	949001-1570	6		D4, L=10
10	Cover	LA484391-1630	1		
11	Pipe Assy, Charging	484800-0440	1		5 pieces per package

*: Please refer to page number 2 for the position of the nameplate showing the serial number on the unit.

"Unit Serial Number Range*" column indicates the first four digits of the unit serial number.

OFFICE PRO 18



ILL00074-01

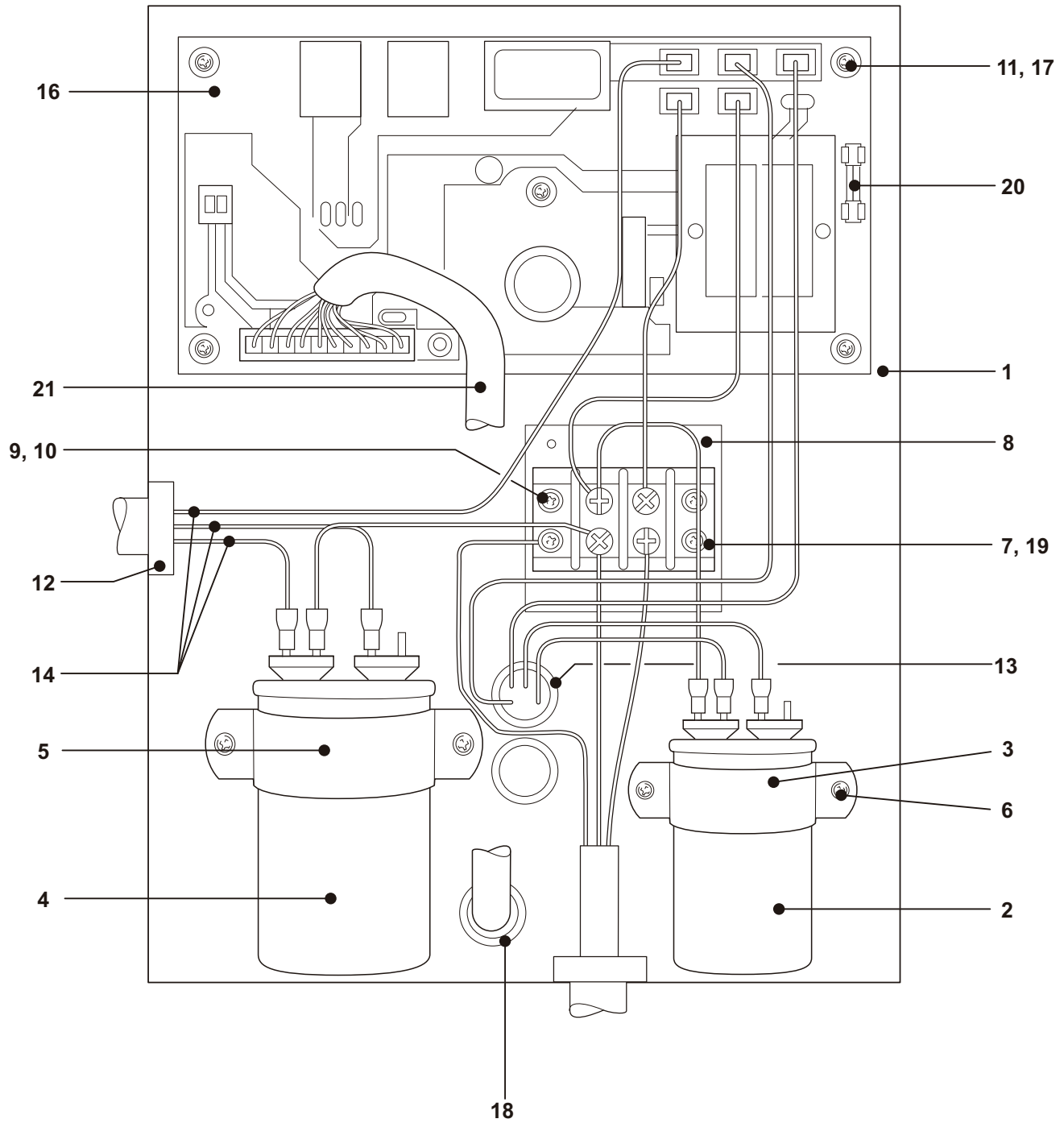
OFFICE PRO 18

ILL. NO.	DESCRIPTION	PART NO.	QTY.	UNIT SERIAL NO. RANGE*	REMARKS
1	Casing, Evaporator Fan	LA484261-0260	1		
2	Screw w/Washer	91370-06161	4		M6×1, L=16
3	Screw	949006-5850	10		M4×0.7, L=10
4	Nut	949056-1430	14		M6×1
5	Stay, Control Panel Left	GX484340-3040	1		
6	Stay, Control Panel Right	LA484331-6670	1		
7	Screw w/Washer	91370-04101	3		M4×0.7, L=10
8	Stay Sub-Assy	LA484340-0920	1		
9	Fan, Evaporator	LA484221-0360	1		w/Set Screw
10	Motor Stay	LA484330-0500	1		
11	Fan Motor	LA484211-1343	1		
12	Casing Assy, Condenser Fan	LA484260-0310	1		
13	Fan, Condenser	LA484221-0370	1		w/Set Screw
14	Ring Sub-Assy	LA484280-0090	1		
15	Screw w/Washer	949007-3600	2		M4×0.7, L=14
16	Switch Assy	GX484560-1823	1		Operation Panel & PCB

*: Please refer to page number 2 for the position of the nameplate showing the serial number on the unit.

"Unit Serial Number Range*" column indicates the first four digits of the unit serial number.

OFFICE PRO 18



ILL00071-00

OFFICE PRO 18

ILL. NO.	DESCRIPTION	PART NO.	QTY.	UNIT SERIAL NO. RANGE*	REMARKS
1	Box Sub-Assy, Control	LA484520-0870	1		
2	Capacitor, Fan	LA484507-0890	1		7.5 μ F, 370VAC
3	Holder, Capacitor	LA484927-0880	1		For Fan
4	Capacitor, Compressor	LA484507-1230	1		50 μ F, 370VAC
5	Holder, Capacitor	LA484927-0890	1		For Compressor
6	Screw	949006-3250	4		M4 \times 0.7, L=10
7	Screw	949006-3280	2		M4 \times 0.7, L=18
8	Terminal Block	LA484503-040A	1		For Power
9	Screw	91051-04100	3		M4 \times 0.7, L=10
10	Washer, Plate	90201-04300	3		
11	Screw w/Washer	91370-03081	5		M3 \times 0.5, L=8
12	Grommet	LA484926-0490	1		For Compressor Wire
13	Grommet	LA484926-0500	2		
14	Wire Assy	LA484930-6822	1		Compressor
16	Relay Board Assy	GX484500-3580	1		(RB) 115V
17	Spacer	LA484921-0150	5		
18	Grommet	484926-0290	1		For Main Wire
19	Washer, Plate	90200-04331	2		
20	Fuse, Relay Board	LAY65765-0030	1		250mA, 250V
21	Wire Assy	LA484930-6850	1		Main Harness (RB) \leftrightarrow (CB)

*: Please refer to page number 2 for the position of the nameplate showing the serial number on the unit.

"Unit Serial Number Range*" column indicates the first four digits of the unit serial number.

DENSO

DENSO SALES CALIFORNIA, INC.

Long Beach, CA 90810
www.movincool.com

Third Issue: August 2012