

# OB36, OB52, OBS36, OBS52, OBSB162

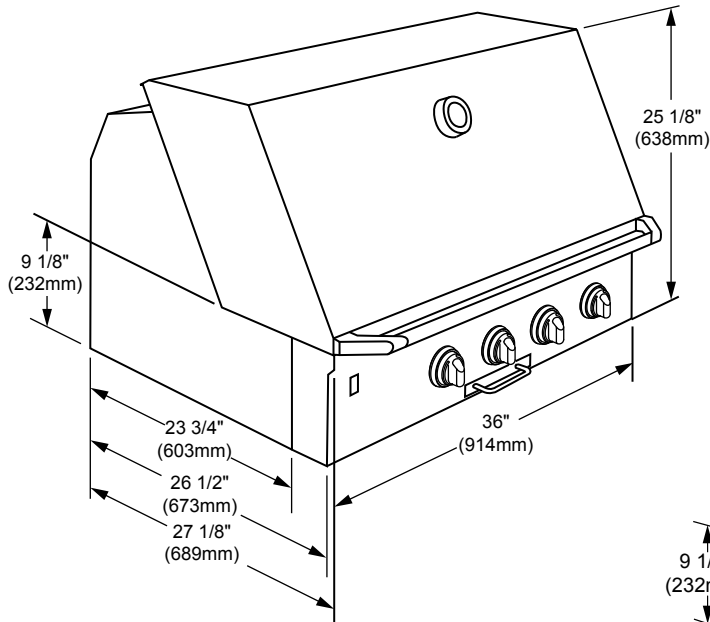


080807

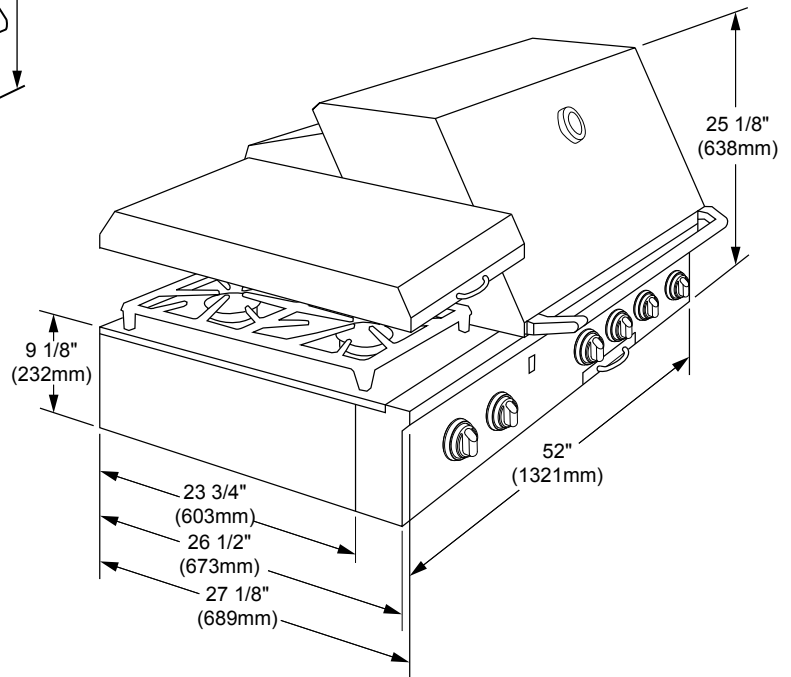
## 36", 52" Wide Outdoor Grills 16" Wide Side Burner

1/3

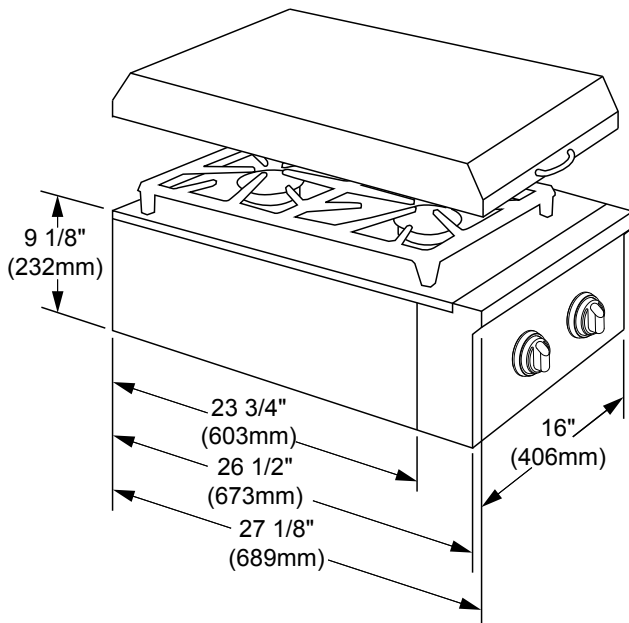
## PLANNING GUIDE



**OB/OBS36 OVERALL DIMENSIONS**



**OB/OBS52 OVERALL DIMENSIONS**



**OBSB162 OVERALL DIMENSIONS**

Model Type	Electrical Circuit Required	Total Connected Load	Gas Type	Manifold Pressure	Minimum Gas Supply Pressure
Natural Gas	120VAC, 60Hz, 15A	2.9 Amps (0.35kW)	Natural	4" Water Column	5" Water Column
LP Gas	120VAC, 60Hz, 15A	2.9 Amps (0.35kW)	Liquid Propane	11" Water Column	12" Water Column



**NOTE:**

Supply access for the rotisserie power or an alternate 120VAC duplex outlet location.

# OB36, OB52, OBS36, OBS52, OBSB162

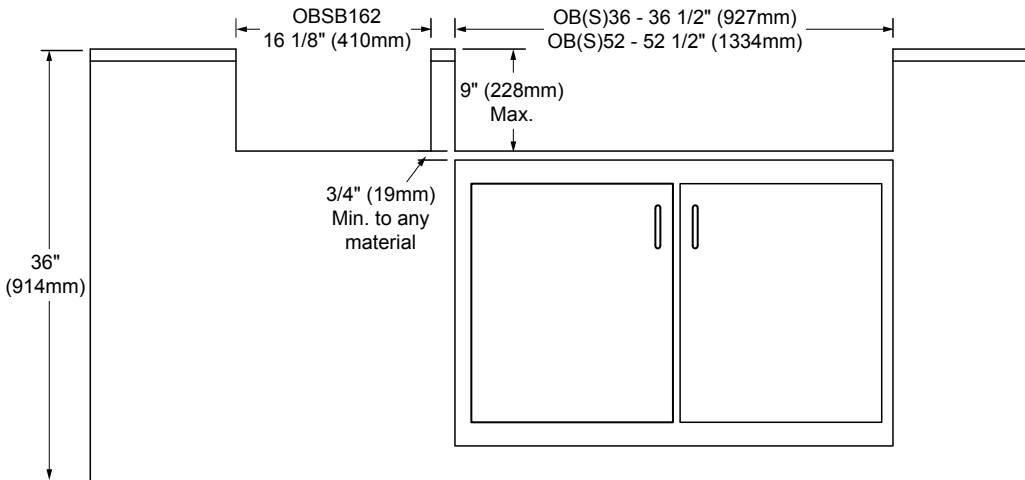


070607

## 36", 52" Wide Outdoor Grills 16" Wide Side Burner

2/3

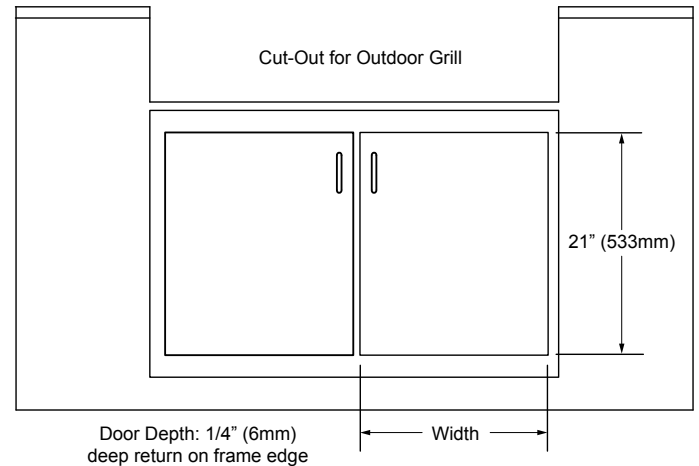
## PLANNING GUIDE



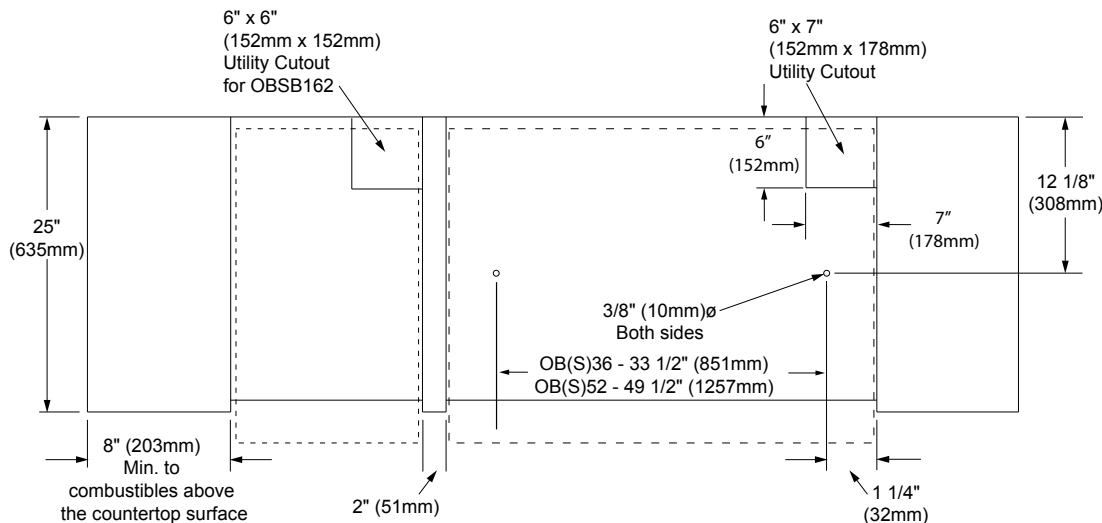
**OBSB162 & OB/OBS/36/52  
CUTOUT DIMENSIONS, FRONT VIEW**  
(OBAD 36" Accessory Door Shown)

### Accessory Door Cutout Dimensions

	Dimension
Cutout Width	OBAD20: 16 3/4" (425mm) OBAD36: 33 1/8" (841mm)
Cutout Height	18 3/4" (476mm)
Cutout Depth	3" (76mm)

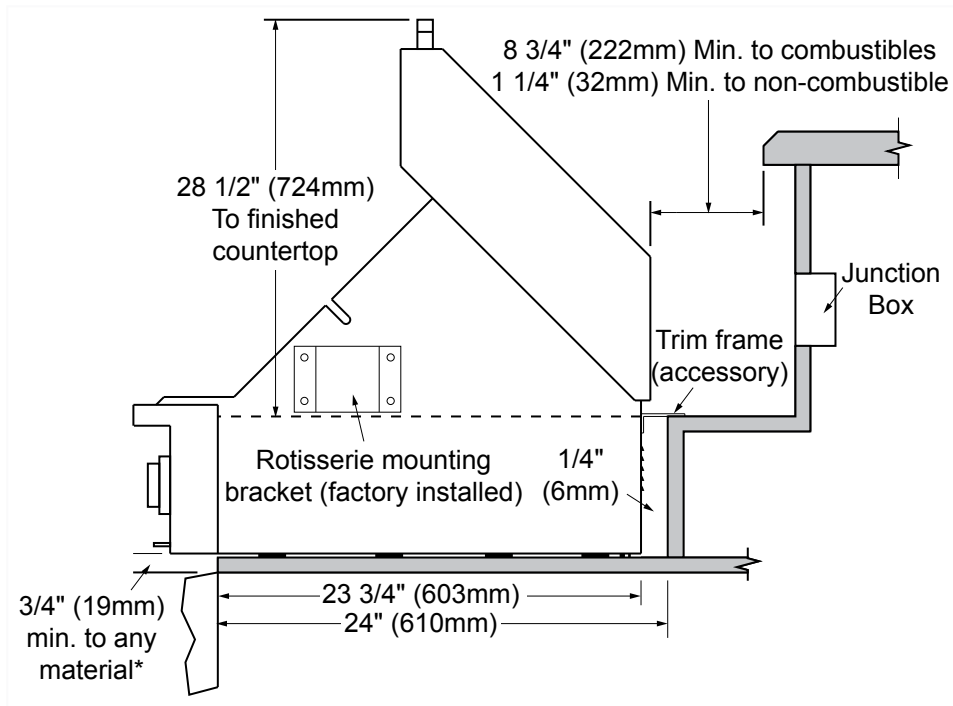


**OBXXX ACCESSORY DOOR  
DIMENSIONS, FRONT VIEW**

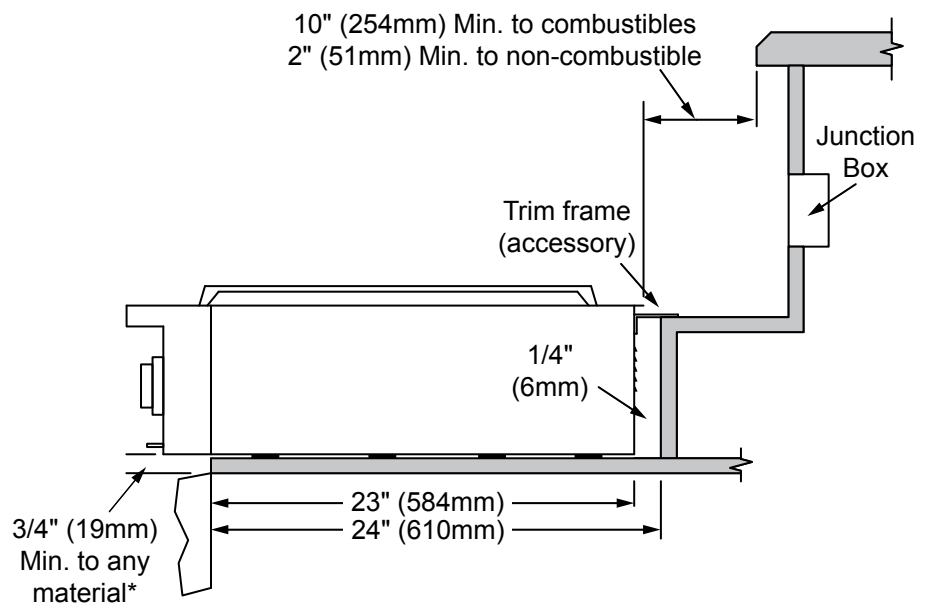


**OBSB162 & OB/OBS/36/52  
CUTOUT DIMENSIONS, TOP VIEW**

# OB36, OB52, OBS36, OBS52, OBSB162



**OB36, OBS36, OB52 AND OBS52  
CUTOUT DIMENSIONS, SIDE VIEW**



**OB162 CUTOUT DIMENSIONS  
SIDE VIEW**