

GAS/ELECTRIC RANGE

for residential use only

Fisher & Paykel



Models: **OR30SDPWGX**



INSTALLATION INSTRUCTIONS

IMPORTANT - PLEASE READ AND FOLLOW

- Before beginning, please read these instructions completely and carefully.
- Do not remove permanently affixed labels, warnings, or plates from the product. This may void the warranty.
- Please observe all local and national codes and ordinances.
- Please ensure that this product is properly grounded.
- The electrical plug should always be accessible.
- **The installer should leave these instructions with the consumer who should retain for local inspector's use and for future reference.**

Installation must conform with local codes or in the absence of codes, the National Fuel Gas Code ANSI Z223.1/NFPA 54 - latest edition. Electrical installation must be in accordance with the National Electrical Code, ANSI/NFPA70 - latest edition and/or local codes.

IN CANADA: Installation must be in accordance with the current CAN/CGA-B149.1 National Gas Installation Code or CAN/CGA-B149.2, Propane Installation Code and/or local codes. Electrical installation must be in accordance with the current CSA C22.1 Canadian Electrical Codes Part 1 and/or local codes.

INSTALLATION IN MANUFACTURED (MOBILE) HOME: The installation must conform with the Manufactured Home Construction and Safety Standard, Title 24 CFR, Part 3280 [formerly the Federal Standard for Mobile Home Construction and Safety, Title 24, HUD (Part 280)] or, when such standard is not applicable, the Standard for Manufactured Home Installations, ANSI/NCSBCS A225.1, or with local codes where applicable.

INSTALLATION IN RECREATIONAL PARK TRAILERS: The installation must conform with state or other codes or, in the absence of such codes, with the Standard for Recreational Park Trailers, ANSI A119.5.

Installation of any gas-fired equipment should be made by a licensed plumber. A manual shut-off valve must be installed in an accessible location in the gas line external to the appliance for the purpose of turning on or shutting off gas to the appliance (In Massachusetts such shutoff devices should be approved by the Board of State Examiners of Plumbers & Gas Fitters).

If an external electrical source is utilized, the appliance, when installed, must be electrically grounded in accordance with local codes or, in the absence of local codes, with the national Electrical Code, ANSI/NFPA 70.

Some models are supplied with a protective film on steel and aluminium parts. This film must be removed before installing/using the appliance.

FOR INSTALLER ONLY

THIS RANGE IS FOR RESIDENTIAL USE ONLY



WARNING !

To reduce the risk of tipping the appliance, the appliance must be secured by properly installed anti-tip device packed with the appliance.

- ALL RANGES CAN TIP
- INJURY TO PERSONS COULD RESULT
- INSTALL ANTI-TIP DEVICE PACKED WITH RANGE
- SEE INSTALLATION INSTRUCTIONS

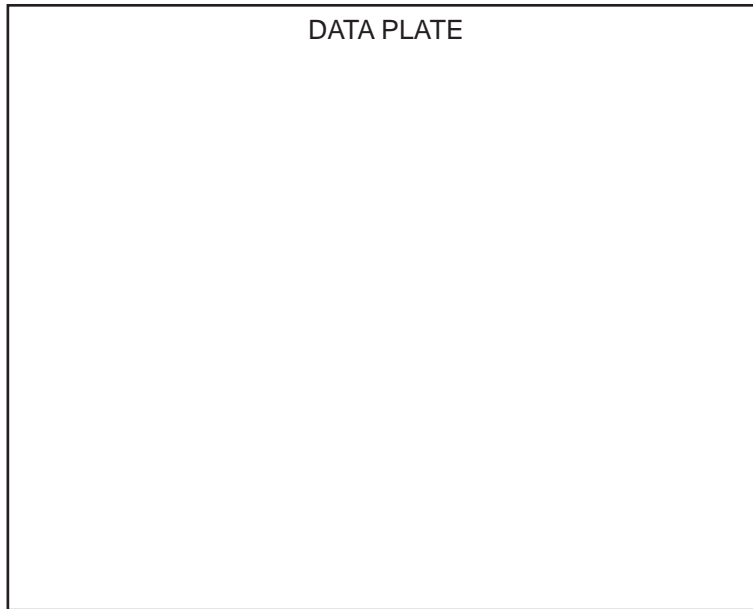


WARNING !

If the information in this manual is not followed exactly, a fire or explosion may result causing property damage, personal injury, or death.

- Do not store or use gasoline or other flammable vapors and liquids in the vicinity of this or any other appliance.
- NEVER use this appliance as a space heater to heat or warm the room. Doing so may result in carbon monoxide poisoning and overheating of the appliance.
- WHAT TO DO IF YOU SMELL GAS:
 - Do not try to light any appliance.
 - Do not touch any electrical switch.
 - Do not use any phone in your building.
 - Immediately call your gas supplier from a neighbor's phone. Follow the gas supplier's instructions.
 - If you cannot reach your gas supplier, call the fire department.
- Installation and service must be performed by a qualified installer, service agency, or the gas supplier.

DATA PLATE



The product data plate is attached below the bottom drawer. To check the label, it is necessary to remove the drawer (operating as indicated in this manual).

CONVERSION LABEL



WARNING!!

The Governor of California is required to publish a list of substances known to the state of California to cause cancer or reproductive harm and requires businesses to warn customers of potential exposures to such substances.

WARNING!: Gas appliances contain or produce substances which can cause death or serious illness and which are known to the State of California to cause cancer, birth defects or other reproductive harm. To reduce the risk from substances in fuel or from fuel combustion, make sure this appliance is installed, operated, and maintained according to the manufacturer's instructions.

This appliance is designed and manufactured solely for the cooking of domestic (household) food and is not suitable for any non-domestic application and therefore should not be used in a commercial environment.

The appliance warranty will be void if the appliance is used within a non-domestic environment i.e. a semi commercial, commercial or communal environment.

INSTALLATION INSTRUCTIONS

WARNING!

THIS APPLIANCE MUST BE INSTALLED BY A QUALIFIED INSTALLER.


Improper installation, adjustment, alteration, services, or maintenance can cause injury or property damage. Consult a qualified installer, service agent, or the gas supplier.

 WARNING!!	IMPORTANT: The use of suitable protective clothing/gloves is recommended when handling or installing this appliance.
--	---

TOOLS NEEDED FOR INSTALLATION (NOT SUPPLIED WITH THE APPLIANCE)

 Screwdriver	 2 - Wrench	 T-handle wrench	 Pencil	 Tape measure
 Suitable protective gloves	 Hammer	 Adjustable wrench	 Adjustable pliers	 Drill

GENERAL INFORMATION

1. Installation must conform with local codes or, in the absence of local codes, with the **National Fuel Gas Code**, ANSI Z223.1/NFPA 54 - Latest Edition, CAN/CGA-B149.1 or CAN/CGA-B149.2.
2. Installation in manufactured (mobile) home: installation must conform with the **Manufactured Home Construction and Safety Standard, Title 24 CFR, Part 3280 [formerly the Federal Standard for Mobile Home Construction and Safety, Title 24, HUD (Part 280)]** or, when such standard is not applicable, the Standard for **Manufactured Home Installations, ANSI/NCSCS A225.1**, or with local codes where applicable.
3. Installation in Recreational Park Trailers: installation must conform with state or other codes or, in the absence of such codes, with the Standard for **Recreational Park Trailers, ANSI A119.5**.
4. To eliminate risk of burns or fire by reaching over heated surface units, cabinet storage located above the surface units should be avoided.
5. Air curtain or other overhead range hoods, which operate by blowing a downward air flow on to a range, shall not be used in conjunction with gas ranges other than when the hood and range have been designed, tested and listed by an independent test laboratory for use in combination.
6.  **WARNING!!**
This appliance shall not be used for space heating. This information is based on safety considerations.
7. All openings in the wall behind the appliance and in the floor under the appliance shall be sealed.
8. Keep appliance area clear and free from combustible materials, gasoline, and other flammable vapors.
9. Do not obstruct the flow of combustion and ventilation air.
10. Disconnect the electrical supply to the appliance before servicing.
11. When removing appliance for cleaning and/or service;
 - A. Shut off gas at main supply.
 - B. Disconnect AC power supply.
 - C. Disconnect gas line to the inlet pipe.
 - D. Carefully remove the range by pulling outward.**CAUTION:** Range is heavy; use care in handling.
12. **Electrical Requirement**
Electrical installation should comply with national and local codes.
13. **Air Supply and Ventilation**
The installer must refer to local/national codes.
14. **Gas Manifold Pressure**
Natural gas - 4.0" W.C.P.
LP/Propane - 11.0" W.C.P.
15. The misuse of oven door (e.g. stepping, sitting, or leaning on them) can result in potential hazards and/or injuries.

16. When installing or removing the range for service, a rolling lift jack should be used. Do not push against any of the edges of the range in an attempt to slide it into or out of the installation. Pushing or pulling a range (rather than using a lift jack) also increases the possibility of bending the leg spindles or the internal coupling connectors.



WARNING!!

ELECTRICAL GROUNDING INSTRUCTIONS

The range must be electrically grounded in accordance with local codes or, in the absence of local codes, with the National Electrical Code, ANSI/NFPA No. 70-latest edition, in Canada Canadian Electrical Code.

Installation should be made by a licensed electrician.

FOR PERSONAL SAFETY, THIS APPLIANCE MUST BE PROPERLY GROUNDED.

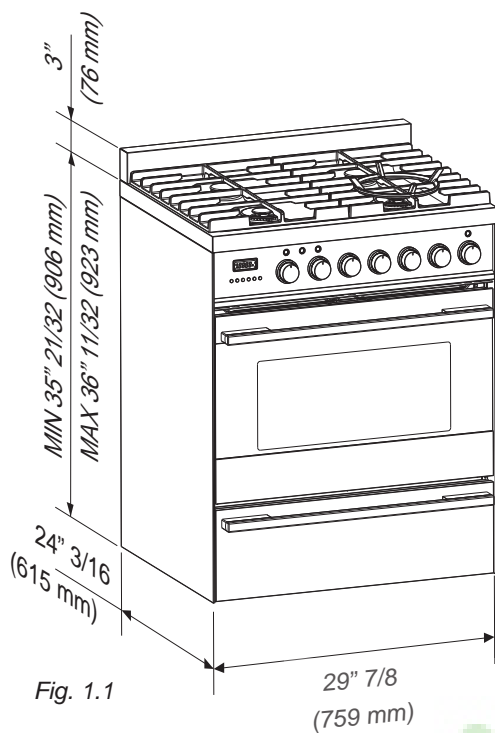
If an external electrical source is utilized, the installation must be electrically grounded in accordance with local codes or, in the absence of local codes, with the national Electrical Code, ANSI/NFPA 70.

This appliance is equipped with a four-prong grounding plug (NEMA 14-50P) for your protection against shock hazard and should be plugged directly into a properly grounded socket.

Do not under any circumstances cut or remove the fourth (ground) prong from the power plug.

REPLACEMENT PARTS

Only authorized replacement parts may be used in performing service on the range. Replacement parts are available from factory authorized parts distributors. Contact the nearest parts distributor in your area.



PROXIMITY TO SIDE CABINETS

1. This range may be installed directly adjacent to existing 36" (914 mm) high base cabinets.

Range dimensions:

- width: 29" 7/8 (759 mm)
- depth: 24" 3/16 (615 mm)
- height (without backguard): MIN 35" 21/32 (906 mm) - MAX 36" 11/32 (923 mm)
- backguard (height): 3" (76 mm)

Gas line opening: Wall - 37/64" (14.5 mm) from the right side to centre of range; from 5" 7/16 (138 mm) to 6" 1/8 (155.5 mm) [depending on feet regulation] from the floor.

Grounded outlet: should be located 37/64" (14.5 mm) from the left side to centre of range; from 5" 7/16 (138 mm) to 6" 1/8 (155.5 mm) [depending on feet regulation] from the floor.

The electric cord with 4-prong ground plug (NEMA 14-50P) shall have a minimum length of 48" (1220 mm) beyond the back of the appliance.

2. The range CANNOT be installed directly adjacent to sidewalls, tall cabinets, tall appliances, or other side vertical surfaces above 36" (914 mm) high.

There must be a minimum of 11" 13/16 (300 mm) side clearance from the range to such combustible surfaces TO THE LEFT or TO THE RIGHT above the 36" (914 mm) high countertop.

IMPORTANT: One side (left or right) above the 36" (914 mm) high countertop must always be kept clear.

Island installation: There must be a minimum of 12" (305 mm) clearance from the rear of the backguard to such combustible surface on the back of the range above the 36" (914 mm) high countertop.

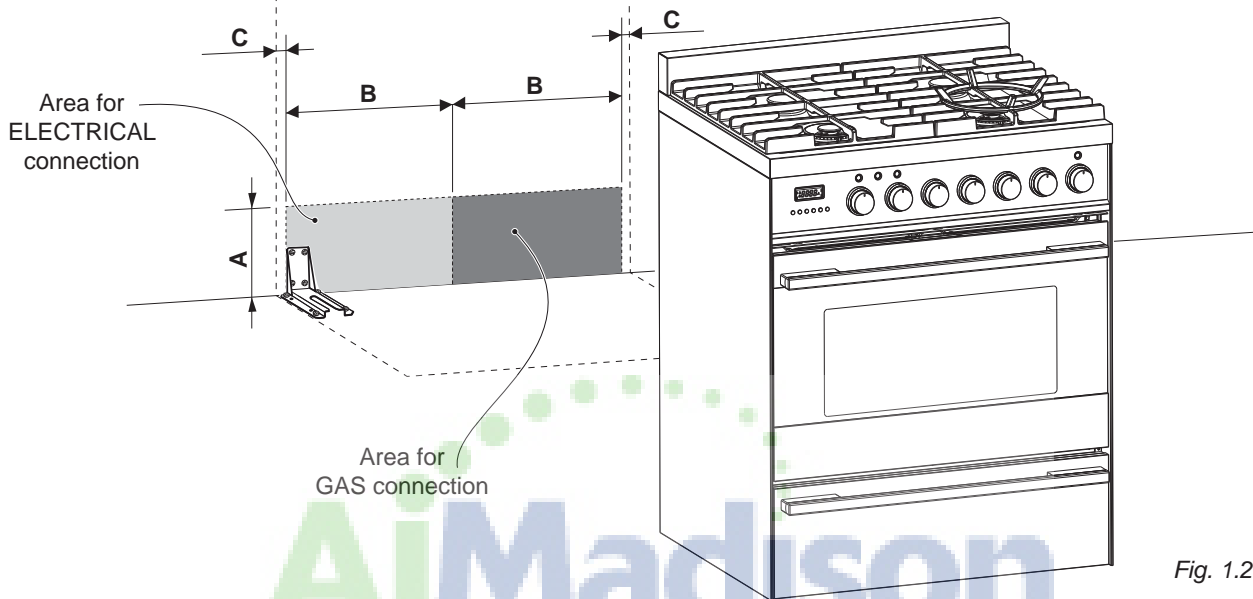
3. The maximum upper cabinet depth recommended is 13" (330 mm). Wall cabinet above the range must be a minimum of 30" (762 mm) above the countertop for a width of minimum 30" (762 mm); it has to be centered with the range. Side wall cabinets above the range must be a minimum of 18" (457 mm) above the countertop.

GAS AND ELECTRIC CONNECTION

Dotted line showing the position of the range when installed

Ref.	inch	mm
A	5" 7/16 - 6" 1/8 (*)	138 - 155.5 (*)
B	14" 3/8	365
C	37/64"	14.5

(*) : Depending on feet regulation

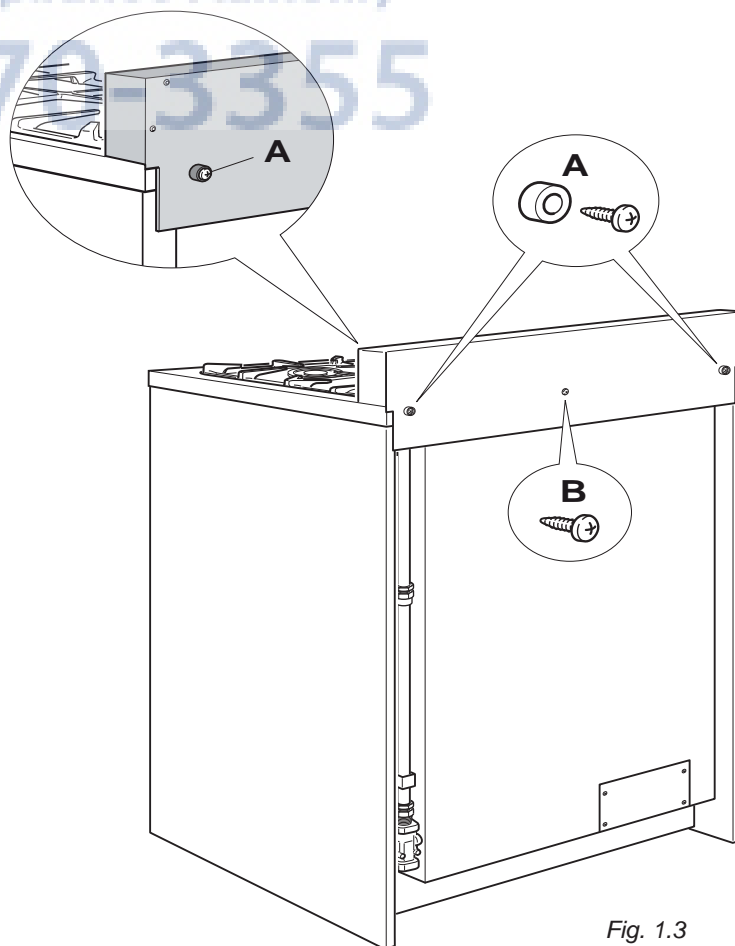


AjMadison
Your Appliance Authority™
800-572-3355

ASSEMBLING THE BACKGUARD
It is mandatory to install the backguard.

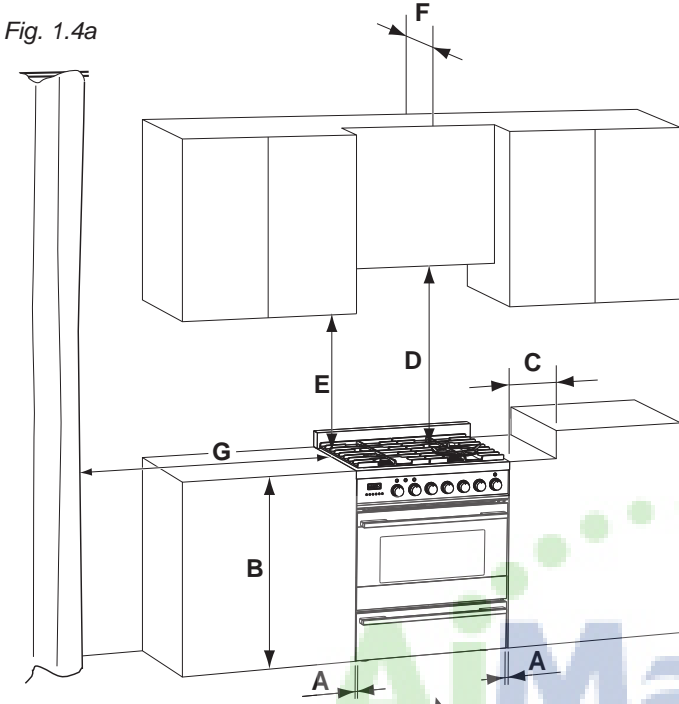
Assemble the backguard as shown in figure 1.3:

- Screw the 2 screws "A" interposing the spacers.
- Screw the central screw "B".



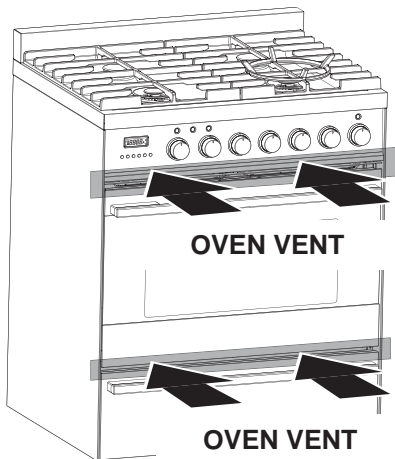
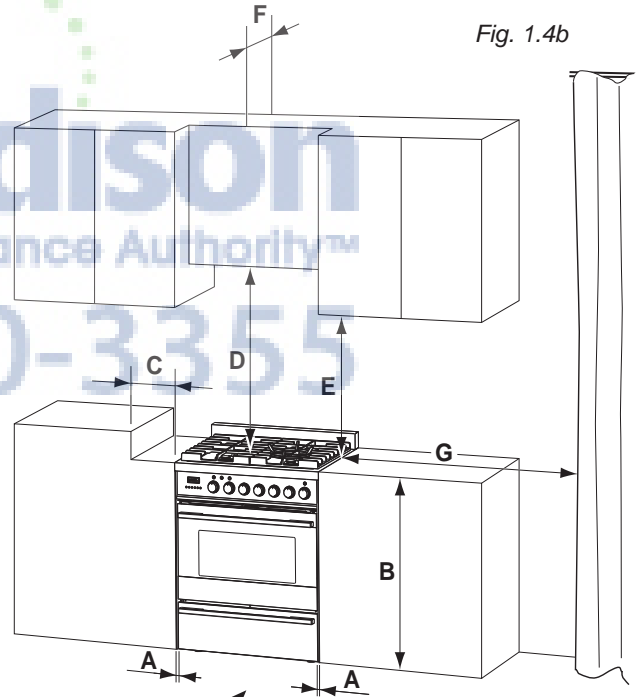
**PROXIMITY TO SIDE CABINETS
STANDARD INSTALLATION**

Fig. 1.4a



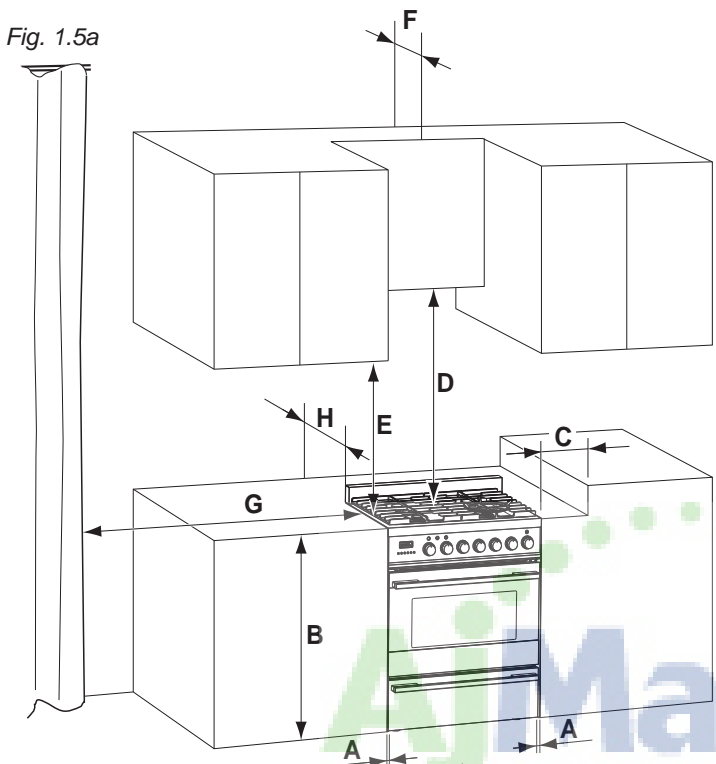
Ref.	inch	mm
A	0"	0
B	36"	914
C	11" 13/16	300
D	30" minimum	762 minimum
E	18" minimum	457 minimum
F	13" maximum	330 maximum
G	20" minimum	500 minimum

Fig. 1.4b



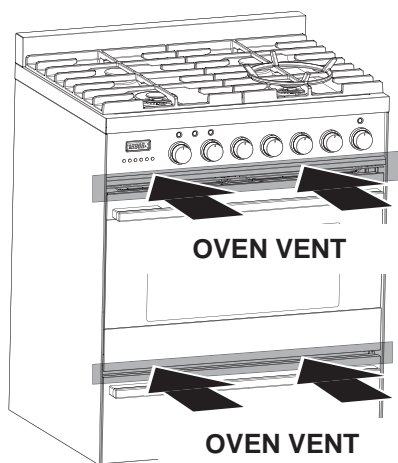
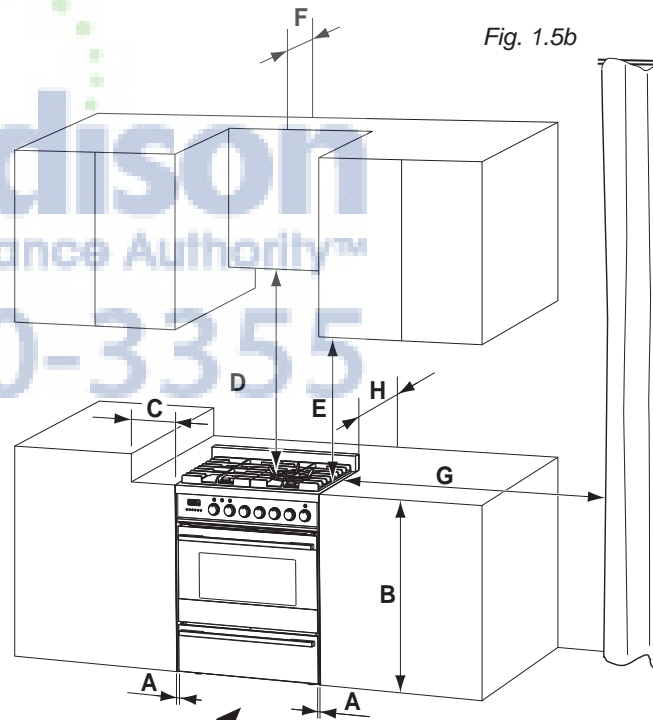
PROXIMITY TO SIDE CABINETS ISLAND INSTALLATION

Fig. 1.5a



Ref.	inch	mm
A	0"	0
B	36"	914
C	11" 13/16	300
D	30" minimum	762 minimum
E	18" minimum	457 minimum
F	13" maximum	330 maximum
G	20" minimum	500 minimum
H	12" minimum	305 minimum

Fig. 1.5b



Madison
Your Appliance Authority™
800-570-3355

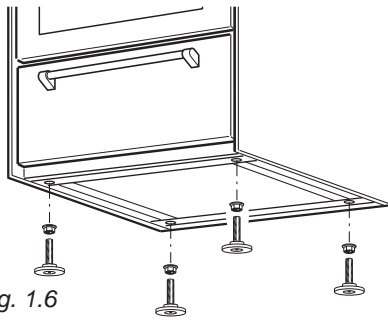


Fig. 1.6

LEVELLING THE RANGE

The range is equipped with 4 LEVELLING FEET and may be levelled by screwing or unscrewing the feet (figs. 1.6 - 1.7).

It is important to observe the directions in figures 1.6, 1.8a, 1.8b.

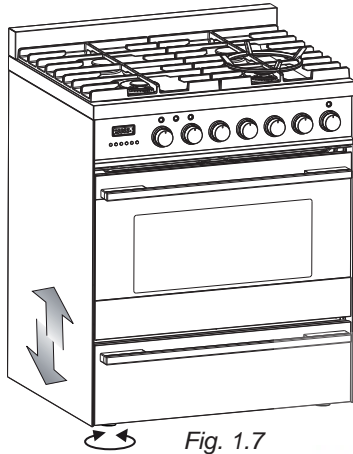


Fig. 1.7

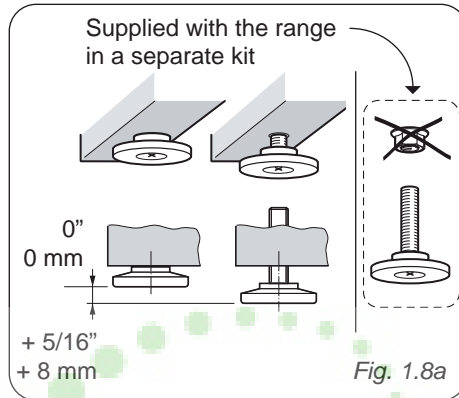


Fig. 1.8a

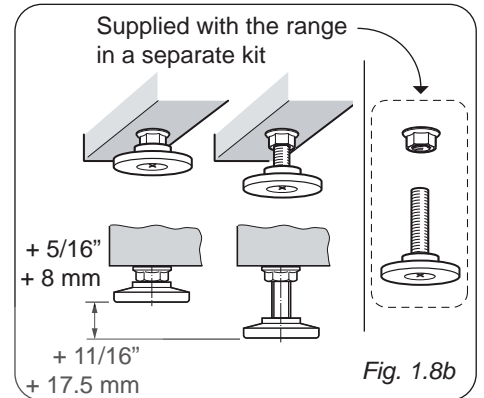


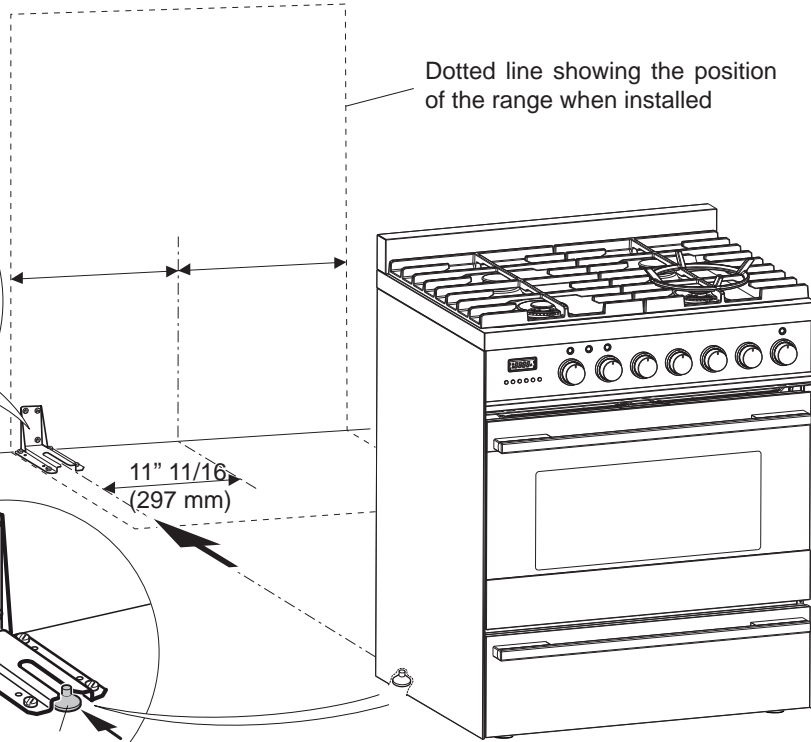
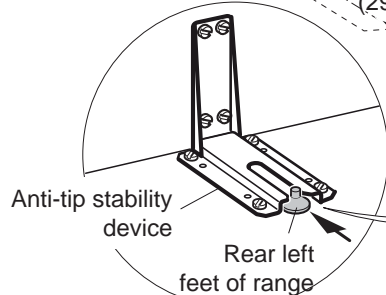
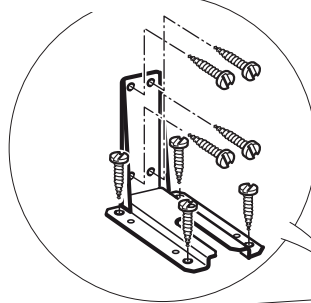
Fig. 1.8b

YOU MUST USE STABILITY ANTI TIP BRACKET TO PREVENT UNIT FROM TIPPING.

ANTI-TIP STABILITY DEVICE INSTALLATION INSTRUCTIONS

1. The anti-tip bracket has to be attached as shown on figure below (only rear left side), it has to be fixed on the floor OR on the rear wall by no. 4 (four) suitable screws (not supplied). Alternatively the anti-tip bracket can also be fixed on the floor AND on the rear wall by no. 8 (eight) suitable screws (not supplied).
2. After fixing the anti-tip bracket, slide range into place. Be sure the rear left foot slides under the anti-tip bracket attached.

ANTI-TIP STABILITY DEVICE FIXING



Dotted line showing the position of the range when installed

11" 11/16"
(297 mm)

Anti-tip stability device
Rear left feet of range

Fig. 1.9

INSTALLING THE COOKTOP FRONT GUARD

To increase the clearance between the front edge of the cooktop and the burners it is possible to install the cooktop front guard supplied with the appliance.

IMPORTANT: To install/remove the guard it is necessary to remove the cooktop.

Attempting to install/remove the guard without disassembling the cooktop will result in permanent damage to the appliance.

Install the front guard as shown in figure 1.10:

1. Remove the backguard.
2. Remove the pan supports, the burner caps and flame spreaders.
3. Unscrew cooktop fixing screws ("A" in figure below).
4. Remove the dual burner inner flame spreader ("B" in figure below).
5. Remove the cooktop (keep attention not to damage the gaskets fitted above the burner cups - below the cooktop).
6. Install the front guard "C" by inserting the wire terminals into the proper holes above the control panel ("D" in figure below).
7. Reassemble the cooktop and the other components (steps from 5 to 1).

Pay special attention to the gaskets fitted above the burner cups (below the cooktop); if they are damaged they shall be replaced.

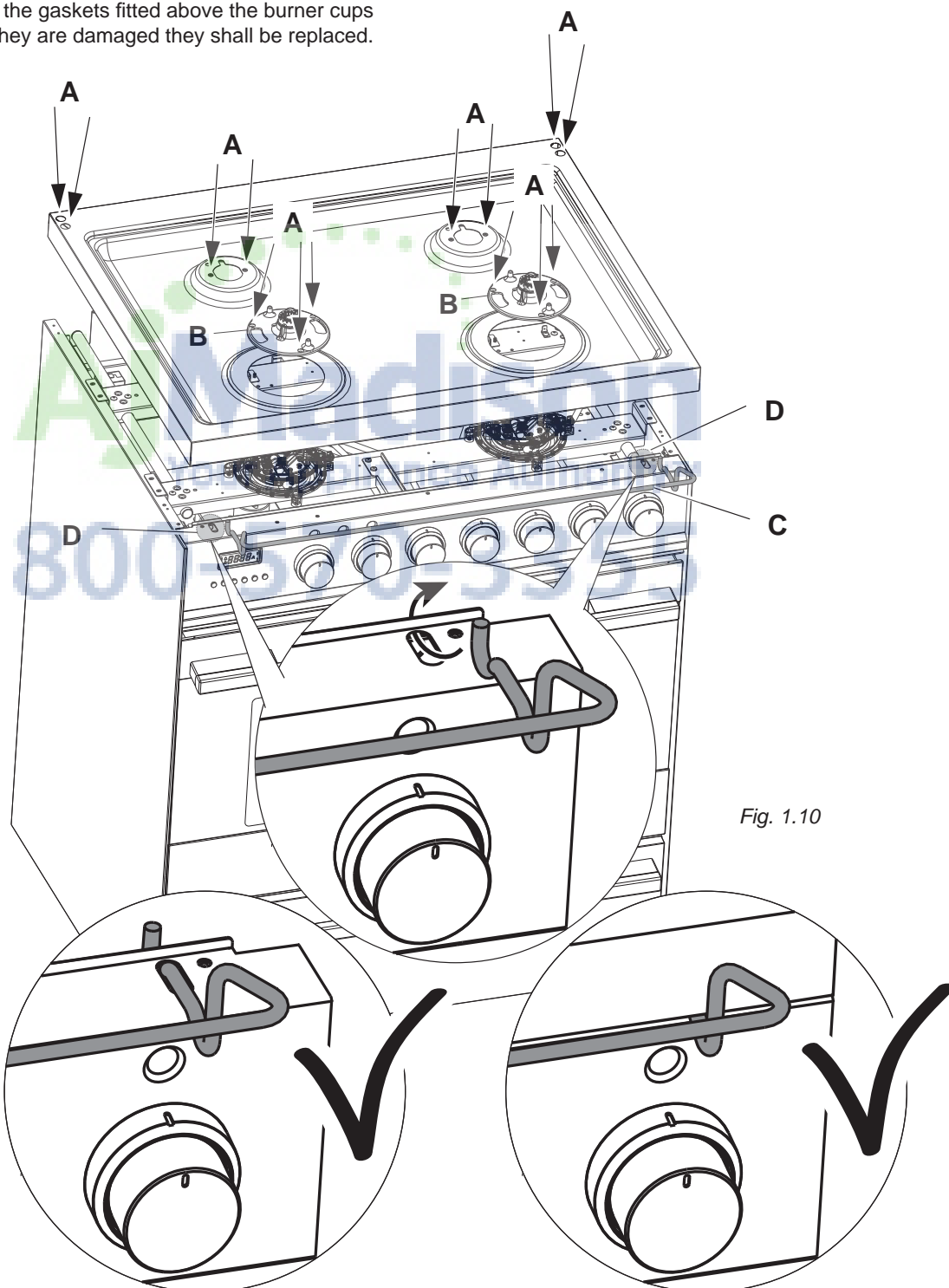


Fig. 1.10

All gas connections must be made according to national and local codes. This gas supply (service) line must be the same size or greater than the inlet line of the appliance. Sealant on all pipe joints must be resistant to the action of LP/Propane gas.

The range is equipped for the use with NATURAL gas. It is design-certified by CSA International for NATURAL and L.P. gases with appropriate conversion.

The model/serial rating plate, located below the bottom drawer, has information on the type of gas that can be used. If this information does not agree with the type of gas available, check with the local gas supplier. See page from 16 to 19 for L.P. gas conversion instructions.

1. Manual Shut-off Valve (fig: 2.1):

A manual shut-off valve must be installed in an accessible location in the gas line external to the appliance for the purpose of turning on or shutting off gas to the appliance (In Massachusetts such shutoff devices should be approved by the Board of State Examiners of Plumbers & Gas Fitters).

This valve should be located in the same room as the range and should be in a location that allows ease of opening and closing (in a position where it can be reached quickly in the event of an emergency).

Do not block access to the shutoff valve. The valve is for turning on or shutting off gas to the appliance.

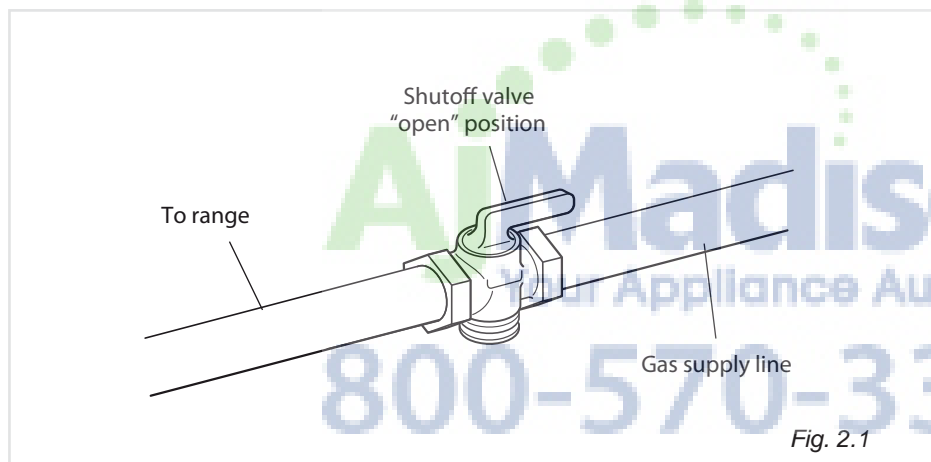


Fig. 2.1

2. Pressure Regulator:

- a. All heavy duty, commercial type cooking equipment must have a pressure regulator on the incoming service line for safe and efficient operation, since service pressure may fluctuate with local demand. Before installing the regulator mount the 1/2" NPT (conical) male connector to the regulator (see picture 2.2). Gasket supplied has to be placed between 1/2" NPT (conical) connector/extension pipe male pipe fitting (see picture 2.3). The regulator supplied with this range must be installed before any gas connections are made. Use supplied pressure regulator only.



WARNING



Explosion Hazard

Use a new CSA or UL approved gas supply line.

Install a shut-off valve.

Securely tighten all gas connections.

If connected to LP, have a qualified person make sure gas pressure does not exceed 14" water column.

Examples of a qualified person include licensed heating personnel, authorized gas company personnel, and authorized service personnel.

Failure to do so can result in death, explosion, or fire.

PRESSURE REGULATOR INSTALLATION

STEP 1

Mount the 1/2" NPT (conical) male connector to the pressure regulator and tighten by using a wrench. Do not over tighten the connector. Over tightening may crack the regulator.

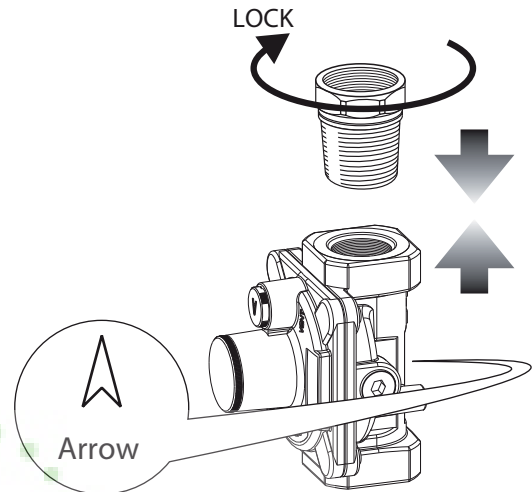


Fig. 2.2

STEP 2

Assemble the 1/2" NPT connector + pressure regulator group to the extension pipe interposing the gasket supplied. The regulator cover must be oriented toward the front side of the range. **IMPORTANT: use two wrenches to tighten the connection.**

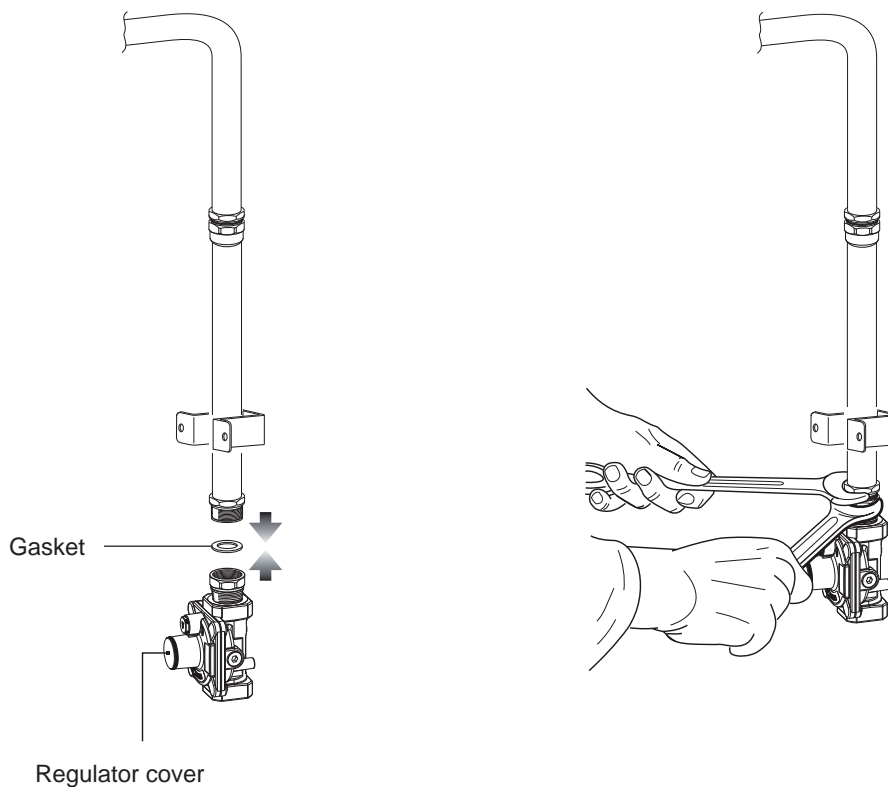


Fig. 2.3

GAS CONNECTION SPECIFICATION

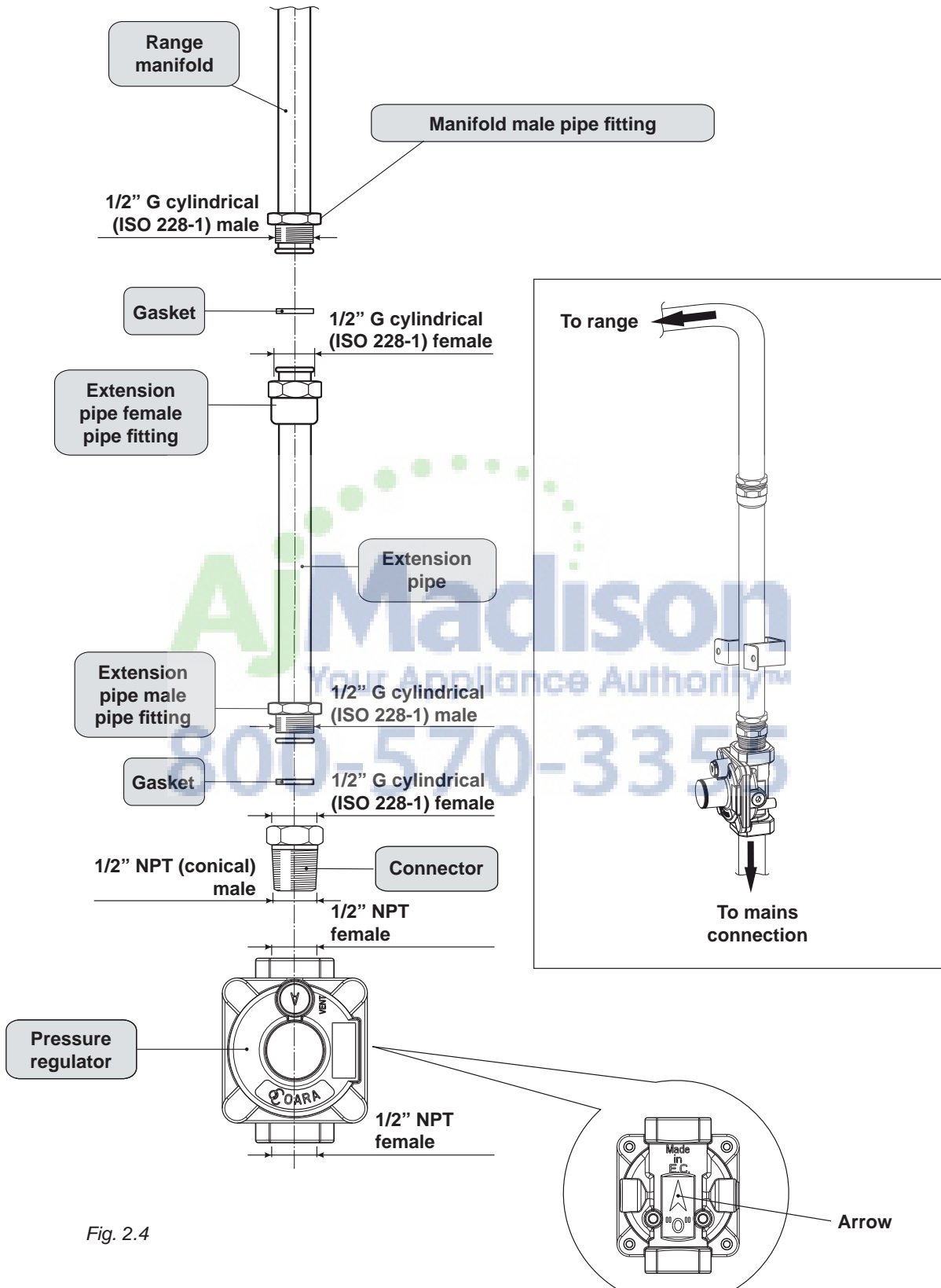


Fig. 2.4

WARNING: check the correct positioning of the gas regulator.
 The arrow on the back of the gas regulator must be oriented toward the connector.

TEST POINT ADAPTER

The Test Point adapter is available from the After-Sales Service.

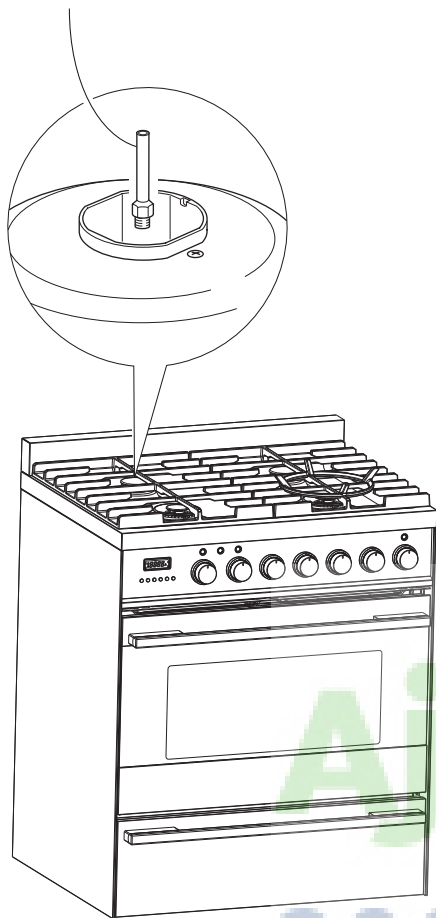


Fig. 2.5

- b. Any conversion required must be performed by your dealer or a qualified licensed technician or gas service company. Please provide the service person with this manual before work is started on the range. (Gas conversions are the responsibility of the dealer or end user.)
- c. This range can be used with NATURAL or LP/PROPANE gas. It is shipped from the factory adjusted for use with NATURAL gas.
- d. Manifold pressure should be checked with a manometer and by operating as below detailed:
 - Remove the orifice from the rear left (or rear right) burner and mount the proper test point adapter which is available from the After-Sales Service (see side figure and the "OPERATIONS TO BE PERFORMED WHEN SUBSTITUTING THE ORIFICES" chapter).
 - Turn the rear left (or rear right) burner control knob to the maximum position.
 - Press the knob and keeping it pressed check the manifold pressure with a manometer; NATURAL gas requires 4.0" W.C.P. and LP/PROPANE requires 11.0" W.C.P.
 - Incoming line pressure upstream from the regulator must be 1" W.C.P. higher than the manifold pressure in order to check the regulator.
 - The regulator used on this range can withstand a maximum input pressure of 1/2 PSI (14.0" W.C.P). If the line pressure is in excess of that amount, a stepdown regulator will be required.
- e. The appliance, its individual shut-off valve, and pressure regulator must be disconnected from the gas supply piping system during any pressure testing of that system at pressures in excess of 1/2 PSI (3.5 kPa).
- f. The appliance must be isolated from the gas supply piping system by closing its individual manual shut-off valve during any pressure testing of the gas supply piping system at test pressure equal to or less than 1/2 PSI (3.5 kPa).

3. Flexible Connections:

If local codes permit, CSA or UL design-certified, flexible metal appliance connector is recommended for connecting this range to the gas supply line. Do Not kink or damage the flexible connector when moving the range. The pressure regulator has 1/2" NPT female pipe threads. You will need to determine the fittings required, depending on the size of your gas supply line, flexible metal connector and shutoff valve.

4. Rigid Pipe Connections:

If rigid pipe is used as a gas supply line, a combination of pipe fittings must be used to obtain an in-line connection to the range. All strains must be removed from the supply and fuel lines so the range will be level and in line.

- Use joint compounds and gaskets that are resistant to action of natural or propane gas on all male pipe threads.
- Do not over tighten gas fitting when attaching to the pressure regulator. Over tightening may crack the regulator.

5. Leak Testing:

IMPORTANT: Leak testing of the appliance shall be conducted as follows:

- After final gas connection is made, turn on manual gas valve and test all connections in gas supply piping and appliance for gas leaks with a soapy water solution. During this test all appliance gas valves have to be closed.
- In order to avoid property damage or serious personal injury, never use a lighted match. If a leak is present, tighten joint or unscrew, apply more joint compound, tighten again and retest connection for leak.

CONVERSION TO LP/PROPANE GAS (OR CONVERSION BACK TO THE ORIGINAL GAS - NATURAL GAS)

Every range is provided with a set of orifices for the various types of gas. Select the orifices to be replaced according to the "ORIFICES TABLE".

The nozzle diameters, expressed in hundredths of a millimetre, are marked on the body of each orifice.

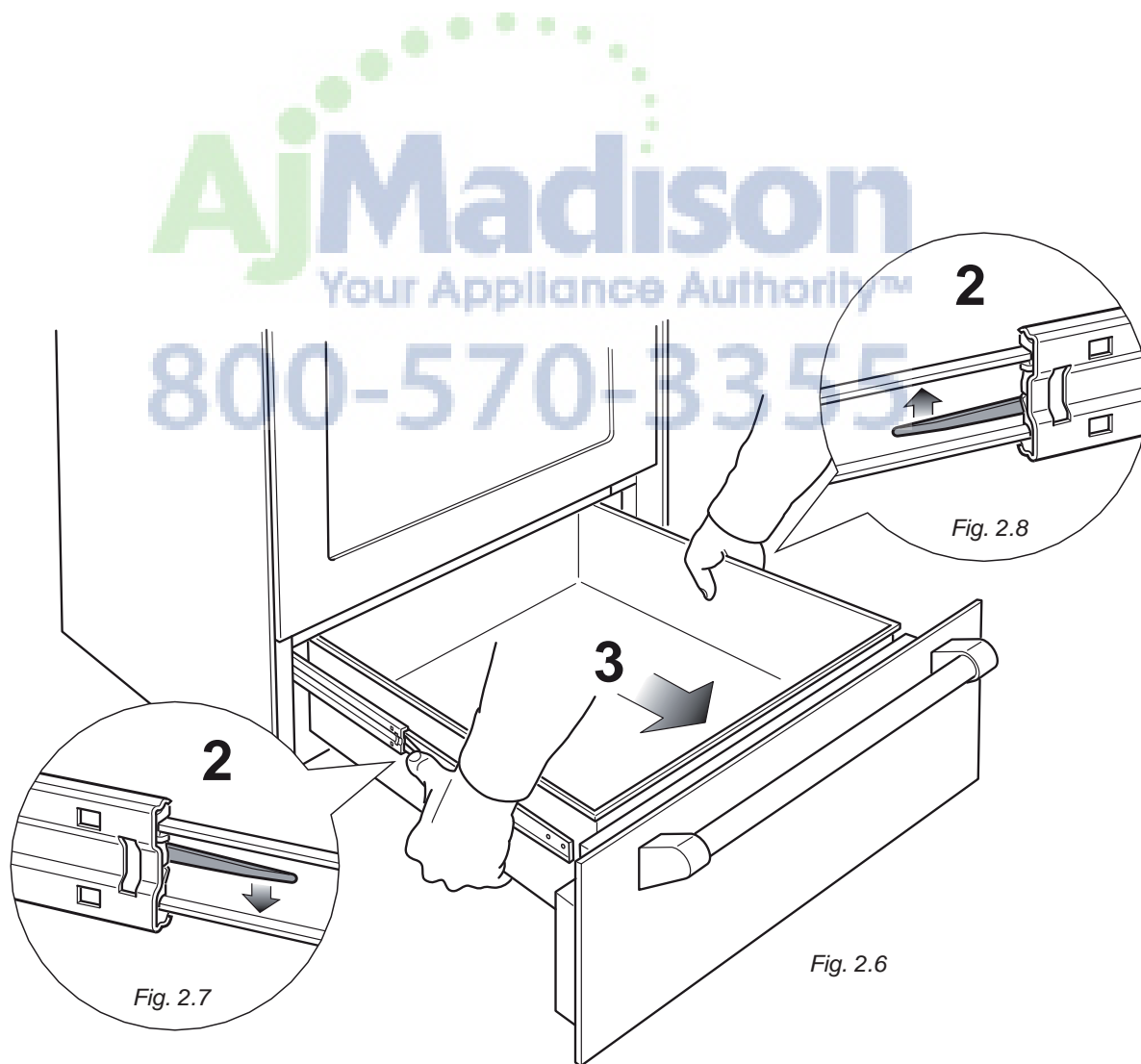
CAUTION: Save the orifices removed from the appliance for future use.

SETTING THE PRESSURE REGULATOR

The pressure regulator is accessible by removing the warmer drawer; the pressure regulator is positioned on the rear right side of the range (fig. 2.9).

To remove the warming drawer:

1. Open the drawer completely (fig. 2.6)
2. Move down the lever of left guide (fig. 2.7) and up the lever of right guide (fig. 2.8).
3. Remove the drawer holding the levers in the same position (fig. 2.6).



To set the pressure regulator (fig. 2.9):

1. Unscrew the regulator cover.
2. Unscrew the "A" component, reverse and screw it according to the LP/PROPANE (or NATURAL GAS) regulation.

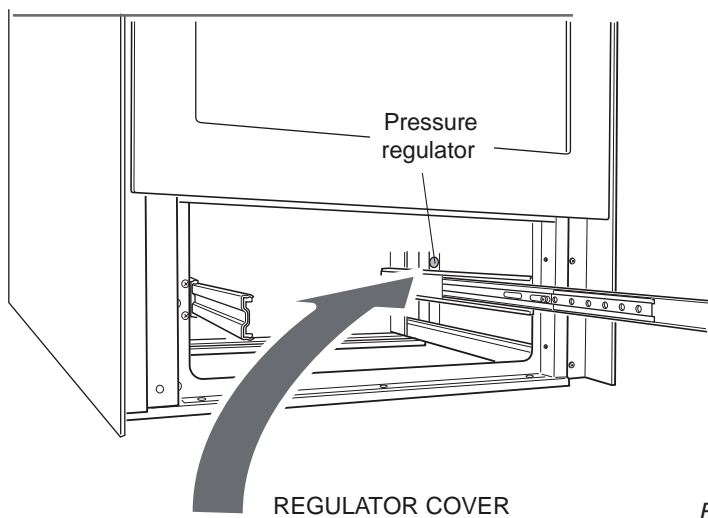
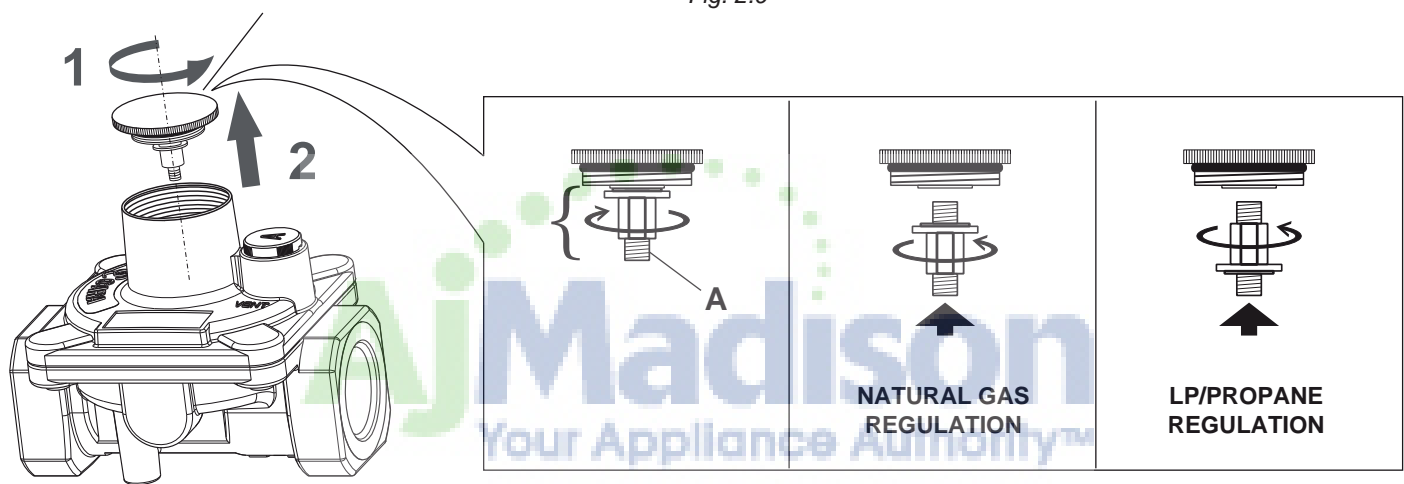


Fig. 2.9



Fitting the warming drawer (fig. 2.10):

1. Insert the drawer guides into the range guides (fig. 2.10).
2. Gently close the drawer completely; the safety catches will automatically hook into place.

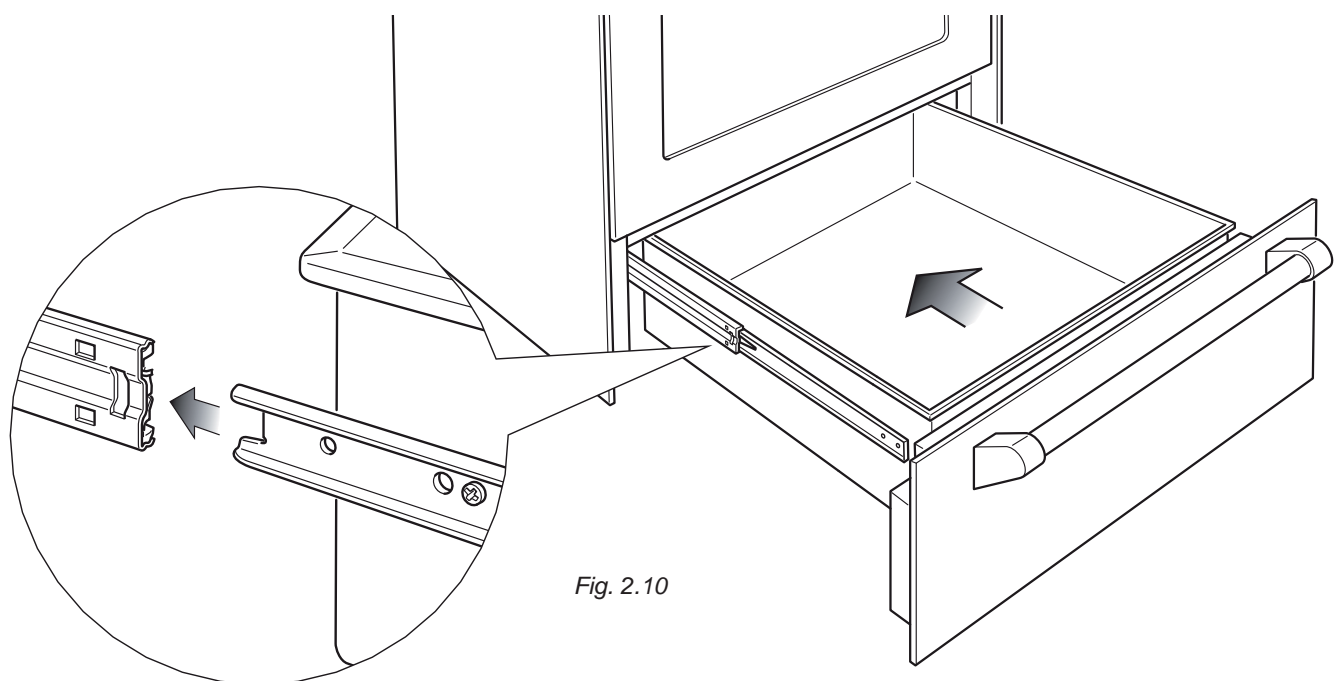


Fig. 2.10

ORIFICES TABLE

		NOMINAL POWER	REDUCED POWER	LP/PROPANE 11" W.C.P.	NATURAL GAS 4" W.C.P.
BURNERS		BTU/hr	BTU/hr	Ø orifice [1/100 mm]	Ø orifice [1/100 mm]
Semirapid (SR)		8000	1500	85	139
Dual (D)	Inner crown	2100	1000	42 (*)	70 (*)
	Inner & outer crown	17000	6500	115 (#)	200 (#)

(*) inner crown ("J₂" in figure 2.12)

(#) outer crown ("J₃" in figure 2.12)

OPERATIONS TO BE PERFORMED WHEN SUBSTITUTING THE ORIFICES

- Remove the pan supports, the burner caps and the flame spreaders.
- Dual burner only (fig. 2.12): Unscrew the no.3 fixing screws "A" and remove the inner crown flame spreader "B"; then unscrew the no.2 fixing screws "C" and remove the cover plate "D".
- Using a wrench substitute the nozzle orifices "J₁", "J₂" and "J₃" (figs. 2.11, 2.12) with those most suitable for the kind of gas for which it is to be used.
- Dual burner only (fig. 2.12): Refit the cover plate "D" and screw the no.2 fixing screws "C"; then refit the inner crown flame spreader "B" and screw the no.3 fixing screws "A".
- Refit the flame spreaders, the burner caps and the pan supports.

The burner are conceived in such a way so as not to require the regulation of the primary air.

SEMI-RAPID BURNER

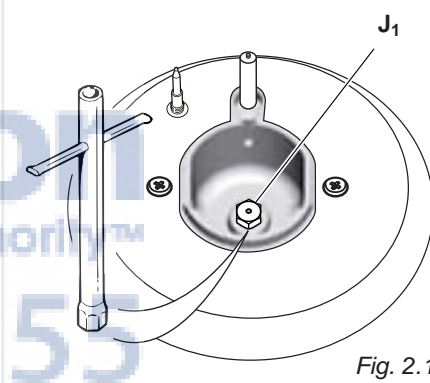


Fig. 2.11

DUAL BURNER

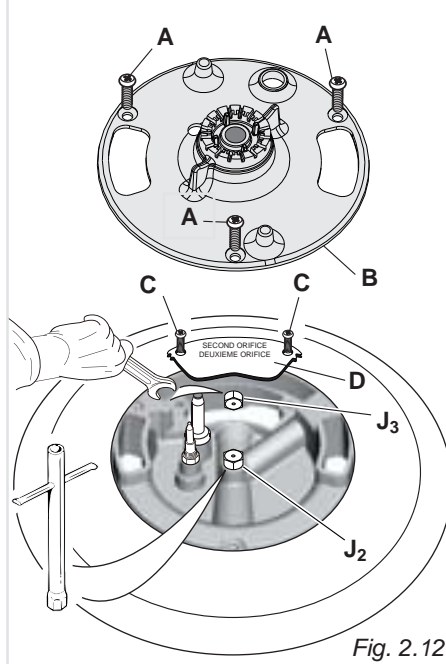


Fig. 2.12

SETTING THE BURNER MINIMUM


When switching from one type of gas to another, the minimum flow rate must also be correct: the flame should not go out even when passing suddenly from maximum to minimum flame.

To regulate the flame (fig. 2.13) follow the instructions below:


Semirapid burner

- Light the burner.
- Set the gas valve to LO position (minimum rate).
- Remove the knob.
- With a thin screwdriver, turn the regulation screw "R₁" until adjustment is correct.

Inside crown of DUAL burner

- Light the DUAL burner.
- Set the gas valve to  LO position (minimum rate of inner crown).
- Remove the knob
- With a thin screwdriver, turn the regulation screw "R₂" until adjustment is correct.

Outside crown of DUAL burner

- Light the DUAL burner.
- Set the gas valve to  LO position (minimum rate of inner and outer crowns).
- Remove the knob.
- With a thin screwdriver, turn the regulation screw "R₃" until adjustment is correct.

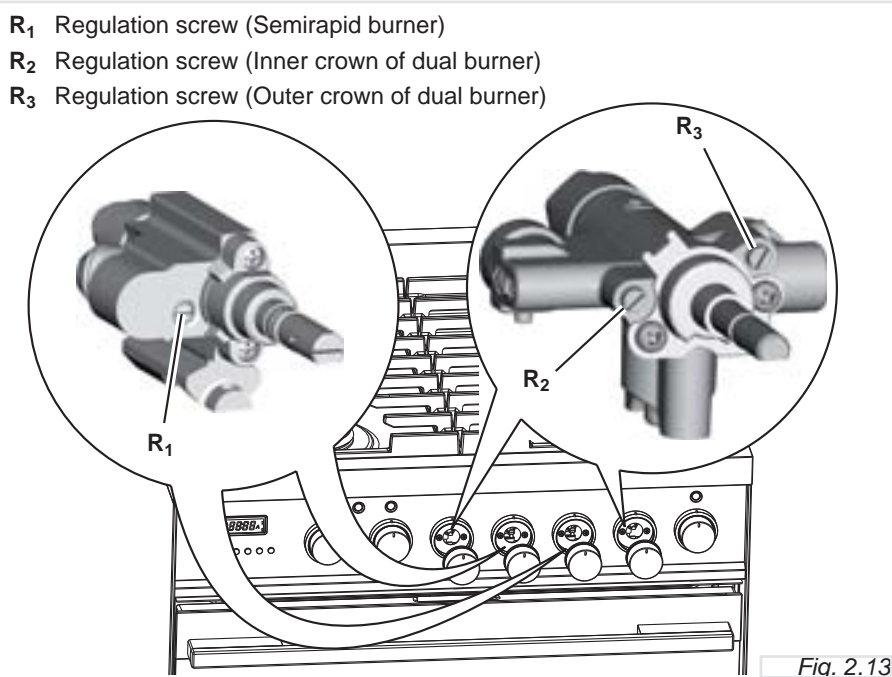
For LP/PROPANE gas, tighten the adjustment screws completely.

After regulation repeat the operations indicated in paragraph "2. PRESSURE REGULATOR" at page 12 and 15.

If the range has been disconnected and then connected again to the gas supply line repeat the operations indicated in paragraph "5. LEAK TESTING" at page 15.

IMPORTANT:

- After conversion to LP/PROPANE gas has been carried out affix near the data plate the conversion label supplied and also affix a conversion label at page 3 of this instruction manual.
- After conversion back to the original gas (NATURAL GAS) has been carried out remove, near the data plate and at page 3 of this instruction manual, the LP/PROPANE conversion labels. Save the labels removed for future use.



⚠ WARNING



Electrical Shock Hazard

Electrically ground range.
Failure to follow these instructions can result in death, fire, or electrical shock.

If codes permit and a separate ground wire is used, it is recommended that a qualified electrician installer determine that the ground path and wire gauge are in accordance with local codes.

Be sure that the electrical connection and wire size are adequate and in conformance with:

- ANSI/NFPA 70 latest edition and local codes and ordinances;
- CSA Standard C22.1, Canadian Electrical Code, Part 1 - latest edition, and all local codes and ordinances.

ONLY FOR CANADA:

A copy of the above code standards can be obtained from:

CANADIAN STANDARDS ASSOCIATION
178 Rexdale Boulevard
TORONTO, ON M9W 1R3
CANADA

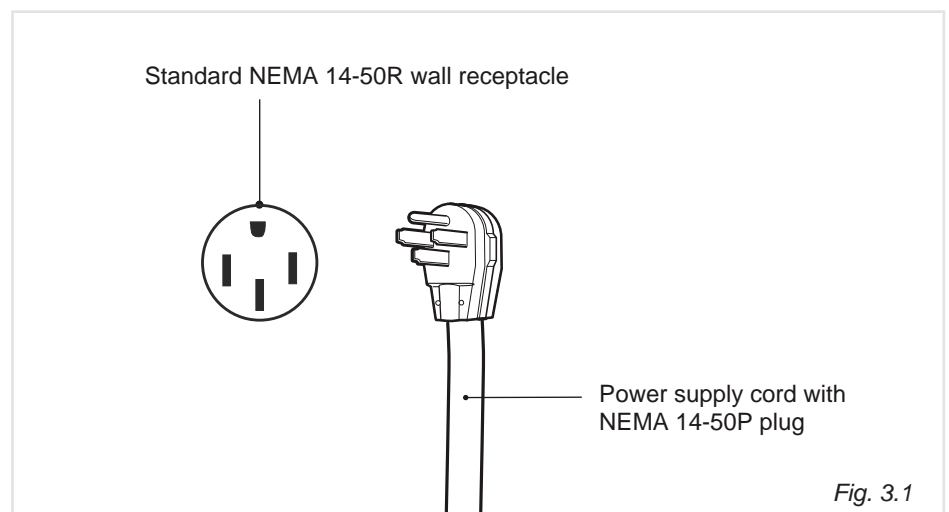
- Do not ground to a gas pipe.
- Check with a qualified electrical installer if you are not sure the range is properly grounded.
- Do not have a fuse in the neutral or ground circuit.
- When a 4-wire, two phase 240-208/120-volt, 60Hz, AC-only electrical supply is available, a 30 amp maximum circuit protection is required, fused on both sides of the line.
- A time-delay fuse or circuit breaker is recommended.
- This range is equipped with a Certified Power Cord intended to be plugged into a standard 14-50R wall receptacle. Be sure the wall receptacle is within reach of range's final location.
- Do not use an extension cord.

In the case of substitution of the power cord always replace it with a suitable UL or CSA approved one (with the same technical features of the replaced cord).

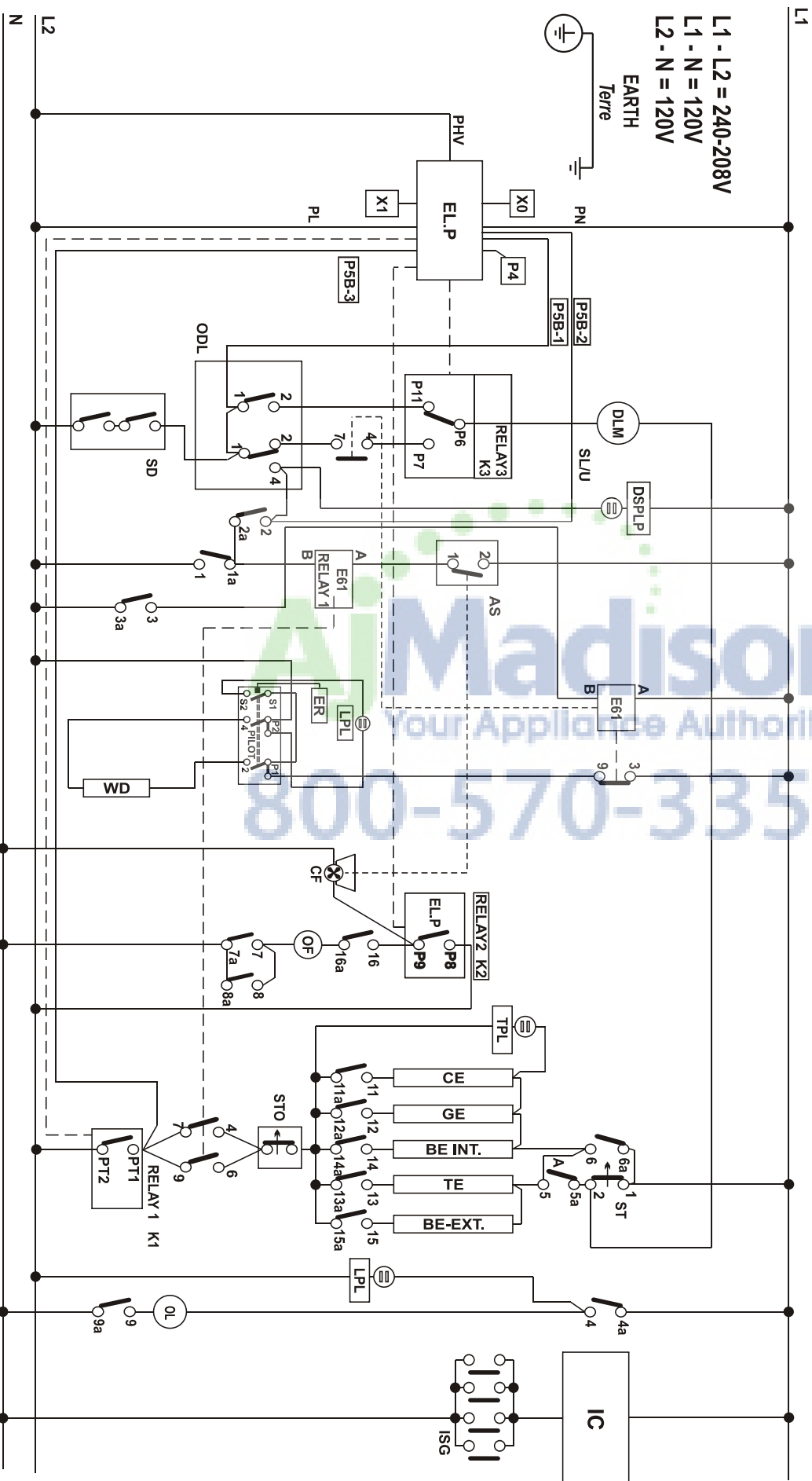
Tighten the power cord by using only the power cord strain relief bracket supplied with the appliance.

Allow enough slack to easily attach the cord terminals to the terminal block.

These operations must be carried out only by an authorized technician.



WIRING DIAGRAM



ELECTRIC DIAGRAM KEY	
IC	IGNITION COIL
ISG	IGNITION SWITCHES GROUP
OL	OVEN LAMP
E61	RELAY
CE	CIRCULAR ELEMENT
GE	BROIL ELEMENT
TE	TOP ELEMENT
BE-INT	BOTTOM ELEMENT INT.
BE-EXT	BOTTOM ELEMENT EXT.
TPL	THERMOSTAT PILOT LAMP
DSP/L	DOOR SAFETY PILOT LAMP
CF	COOLING FAN
OF	OVEN FAN
ER	ENERGY REGULATOR
DLM	DOOR LOCK MOTOR
SL/U	STATUS LOCK/UNLOCK
LPL	LINE PILOT LAMP
WD	WARMING DRAWER ELEMENT
ST	SAFETY THERMOSTAT
EL.P	ELECTRONIC PROGRAMMER
SD	DOOR STATUS, OPEN/CLOSED
ODL	OVEN DOOR LATCH
AS	AIR SWITCH
CONNECTIONS ON PROGRAMMER	
PN/PL	SUPPLY
K1	PROGRAM THERMOSTAT RELAY1
K2	COOLING/OVEN FAN RELAY2
K3	DOOR LOCK/UNLOCK RELAY3
PHV	FUNCTION STATE
X0	THERMOSTAT ENCODER
X1	FUNCTIONS ENCODER
P4	PROBE (Sonde)
P5B	WIRES P5B(1)+P5B(2)+P5B(3)

The manufacturer cannot be held responsible for possible inaccuracies due to printing or transcription errors in the present booklet.

The manufacturer reserves the right to make all modifications to its products deemed necessary for manufacture or commercial reasons at any moment and without prior notice, without jeopardising the essential functional and safety characteristics of the appliances.



CUISINIÈRE À GAZ/ÉLECTRIQUE

Cet appareil est réservé à l'usage résidentiel uniquement.

Fisher & Paykel



Modèles: **OR30SDPWGX**



INSTRUCTIONS D'INSTALLATION IMPORTANT - VEUILLEZ LIRE ET SUIVRE

- Avant de commencer, veuillez lire attentivement toutes les instructions.
- N'enlevez pas les étiquettes, plaques ou avertissements permanents de l'appareil. Cela pourrait annuler la garantie.
- Veuillez respecter tous les codes et les règlements locaux et nationaux.
- Veuillez vous assurer que cet appareil est bien mis à la terre.
- La prise de courant devrait être toujours accessible.
- **L'installateur doit confier ces instructions au consommateur qui les conservera pour l'usage de l'inspecteur local et pour s'y reporter ultérieurement.**

L'installation doit être conforme aux codes locaux, ou en l'absence de ces codes, à la dernière édition du National Fuel Gas Code ANSI Z223.1/NFPA 54. L'installation électrique doit être conforme à la dernière édition du Code national de l'électricité, ANSI/NFPA70 et/ou aux codes locaux.

AU CANADA: L'installation doit être conforme au CAN/CGA-B149.1, Code d'installation du gaz naturel ou au CAN/CGA-B149.2, Code d'installation du propane en vigueur et/ou aux codes locaux. L'installation électrique doit être conforme au Code canadien de l'électricité CSA C22.1, partie 1, en vigueur et/ou aux codes locaux.

INSTALLATION DANS UNE MAISON PRÉFABRIQUÉE (MOBILE) : L'installation doit être conforme au Manufactured Home Construction and Safety Standard, Titre 24 CFR, Partie 3280 [anciennement le Federal Standard for Mobile Home Construction and Safety, Titre 24, HUD (Partie 280)] ou, lorsque cette norme n'est pas applicable, au Standard for Manufactured Home Installations, ANSI/NCSBCS A225.1, ou aux codes locaux, là où il y a lieu.

INSTALLATION DANS UNE CARAVANE DE PARC : L'installation doit être conforme aux codes de l'État ou aux autres codes ou, en l'absence de tels codes, au Standard for Recreational Park Trailers, ANSI A119.5.

L'installation de tout appareil au gaz doit être effectuée par un technicien qualifié. Par mesure de sécurité et pour faciliter le service, un robinet d'arrêt de gaz manuel doit être installé dans le tuyau d'alimentation en gaz, juste avant l'appareil.

Si vous utilisez une source d'alimentation électrique extérieure, cet appareil doit être, au moment de son installation, mis à la terre conformément aux codes locaux en vigueur ou, en l'absence de tels codes, conformément au Code national de l'électricité, ANSI/NFPA 70.

Certains modèles sont livrés avec une pellicule protectrice recouvrant les pièces en acier et en aluminium.

Cette pellicule doit être enlevée avant l'installation ou l'utilisation de l'appareil.

À L'INTENTION DE L'INSTALLATEUR SEULEMENT

**CETTE CUISINIÈRE EST RÉSERVÉE À L'USAGE
RÉSIDENTIEL UNIQUEMENT.**



MISE EN GARDE !

Pour réduire le risque de basculer l'appareil, il doit être fixé correctement par le dispositif antibasculement fourni avec l'appareil.

- TOUS LES TYPES DE CUISINIÈRE PEUVENT BASCULER
- CELA PEUT PROVOQUER DES BLESSURES
- INSTALLEZ LE DISPOSITIF ANTIBASCULEMENT FOURNI AVEC LA CUISINIÈRE
- CONSULTEZ LES INSTRUCTIONS D'INSTALLATION



MISE EN GARDE !

Le fait de ne pas suivre toutes les instructions de ce manuel peut provoquer un feu ou une explosion causant des dommages matériels, des blessures ou la mort.

- Ne rangez et n'utilisez pas de l'essence ou d'autres liquides et vapeurs inflammables à proximité de cet appareil ou de tout autre appareil.
- N'utilisez JAMAIS cet appareil pour chauffer une pièce. Le non-respect de cette consigne peut causer un empoisonnement au monoxyde de carbone et une surchauffe de l'appareil.
- QUE FAIRE SI VOUS DÉCELEZ UNE ODEUR DE GAZ:
 - Ne tentez d'allumer aucun appareil.
 - Ne touchez à aucun interrupteur électrique.
 - N'utilisez aucun téléphone dans l'édifice.
 - Appelez immédiatement votre fournisseur de gaz en utilisant le téléphone d'un voisin. Suivez les consignes du fournisseur de gaz.
 - S'il vous est impossible de joindre votre fournisseur de gaz, appelez le service d'incendie.
- L'installation et l'entretien doivent être effectués par un installateur ou un technicien qualifié, ou par un employé de votre fournisseur de gaz.

PLAQUE SIGNALÉTIQUE

La plaque signalétique du produit est fixée dans la surface en dessous du tiroir. Pour contrôler l'étiquette, il est nécessaire de retirer le tiroir (en opérant comme indiqué dans ce manuel).

ÉTIQUETTE DE CONVERSION



AVERTISSEMENT !!

Le Gouverneur de la Californie est tenu de publier une liste de substances dont l'État sait qu'ils accroissent les risques de cancer ou d'infertilité; les entreprises sont tenues d'aviser leur clientèle des risques associés à de telles substances.

AVERTISSEMENT! : Les appareils au gaz contiennent ou produisent des substances qui peuvent entraîner la mort ou des maladies graves, et dont l'État de la Californie reconnaît qu'ils augmentent les risques de cancer, d'anomalies congénitales ou autres risques au système reproductif. Pour réduire les risques causés par les substances contenues dans le carburant ou par la combustion du carburant, s'assurer d'installer, d'entretenir et d'utiliser cet appareil selon les consignes du fabricant.

Cet appareil a été conçu et fabriqué uniquement pour la cuisson domestique des aliments et ne convient pas à l'usage non ménager. Cet appareil ne devrait donc pas être utilisé dans un environnement commercial.

La garantie de l'appareil sera annulée s'il est utilisé dans un environnement non domestique, c'est-à-dire un environnement semi-commercial, commercial ou communautaire.

INSTRUCTIONS D'INSTALLATION

AVERTISSEMENT!

CET APPAREIL DOIT ÊTRE INSTALLÉ PAR UN INSTALLATEUR QUALIFIÉ.

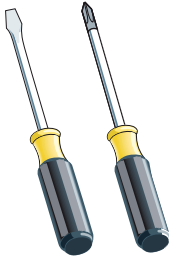
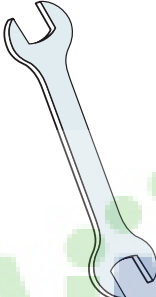
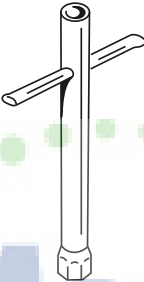

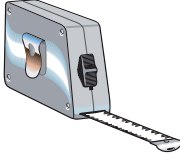
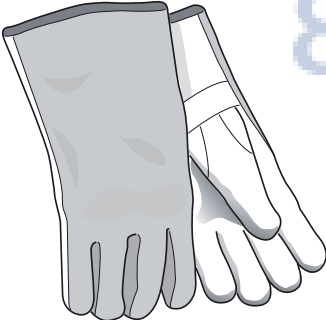
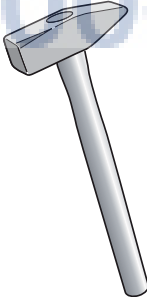
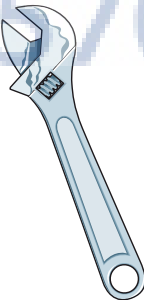
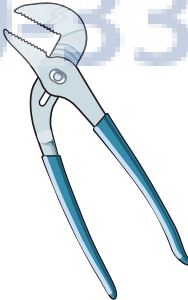
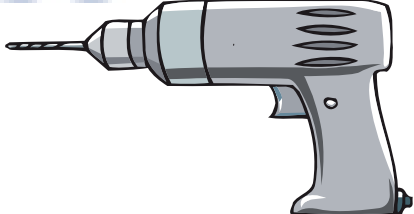
Une mauvaise installation, modification, réparation ou un mauvais réglage ou entretien peuvent causer des blessures ou des dommages matériels. Consultez un installateur qualifié, un agent autorisé ou le fournisseur de gaz.




AVERTISSEMENT !!

IMPORTANT: L'utilisation de vêtements et de gants de protection est recommandée lors de la manutention et l'installation de cet appareil.

OUTILS REQUIS POUR L'INSTALLATION (NON FOURNIS AVEC L'APPAREIL)

 <p>Tournevis</p>	 <p>2 - Clef</p>	 <p>Clef à poignée en T</p>	 <p>Crayon</p>	 <p>Mètre à ruban</p>
 <p>Gants de protection</p>	 <p>Marteau</p>	 <p>Clef à molette</p>	 <p>Pince multiprise</p>	 <p>Perceuse</p>

RENSEIGNEMENTS GÉNÉRAUX

1. L'installation doit être conforme aux codes locaux ou, en l'absence de ceux-ci, à la dernière édition du **National Fuel Gas Code, ANSI Z223.1/NFPA 54, au CAN/CGA-B149.1 ou au CAN/CGA-B149.2.**
2. Installation dans une maison préfabriquée (mobile): L'installation doit être conforme au **Manufactured Home Construction and Safety Standard, Titre 24 CFR, Partie 3280 [anciennement le Federal Standard for Mobile Home Construction and Safety, Titre 24, HUD (Partie 280)]** ou, lorsque cette norme n'est pas applicable, au Standard for **Manufactured Home Installations, ANSI/NCSBCS A 225.1**, ou aux codes locaux, là où il y a lieu.
3. Installation dans une caravane de parc: L'installation doit être conforme aux codes de l'État ou aux autres codes ou, en l'absence de tels codes, au Standard for **Recreational Park Trailers, ANSI A119.5.**
4. Afin d'éliminer les risques de brûlures ou d'incendie qui peuvent se produire lorsqu'on s'étire au-dessus d'appareils aux surfaces chauffantes, évitez de placer des armoires de cuisine au-dessus de l'appareil.
5. Les rideaux d'air ou les hottes de cuisinières en hauteur, qui projettent de l'air vers la cuisinière en contrebas, ne doivent pas être utilisés avec des cuisinières à gaz, sauf si la hotte et la cuisinière ont été conçues, testées et répertoriées par un laboratoire d'essais indépendant pour pouvoir fonctionner conjointement.
6.  **AVERTISSEMENT!!**
Cet appareil ne doit pas être utilisé pour chauffer une pièce. Ces renseignements sont basés sur des facteurs de sécurité.
7. Toute ouverture dans le mur derrière l'appareil et dans le sol au-dessous de l'appareil doit être obstruée.
8. Gardez l'appareil loin des matériaux combustibles, de l'essence ou de toute autre vapeur inflammable.
9. N'obstruez pas le flux de l'air de combustion et de l'air de ventilation.
10. Coupez l'alimentation électrique de l'appareil avant de procéder à l'entretien.
11. Lors du déplacement de l'appareil pour le nettoyage et/ou une réparation :
 - A. Fermez l'alimentation générale en gaz.
 - B. Coupez l'alimentation c.a.
 - C. Débranchez le tuyau d'alimentation en gaz du tuyau d'entrée.
 - D. Déplacez la cuisinière avec soin en la tirant en dehors de l'installation.
ATTENTION : La cuisinière est lourde. Faites attention lorsque vous la manipulez.
12. **Exigences électriques**
L'installation électrique doit être conforme aux codes nationaux et locaux.
13. **Alimentation d'air et ventilation**
L'installateur doit consulter les codes locaux et nationaux.
14. **Pression du collecteur d'alimentation en gaz**
Gaz naturel - 4,0 po CE
Gaz propane/GPL - 11,0 po CE
15. L'utilisation inappropriée de la porte du four (par exemple,

marcher, s'asseoir ou s'appuyer dessus) peut présenter des dangers possibles et/ou entraîner des blessures.

16. Lors de l'installation ou du déplacement de la cuisinière pour une réparation, un timon rouleau devrait être utilisé. Ne poussez pas en appuyant sur les rebords de la cuisinière en tentant de la faire glisser dans ou en dehors de l'installation. Pousser ou tirer une cuisinière (plutôt que d'utiliser un timon rouleau) augmente également les risques de déformation des tiges ou des connecteurs de couplage internes.



AVERTISSEMENT!!

INSTRUCTIONS DE MISE À LA TERRE

La cuisinière doit être mise à la terre conformément aux codes locaux ou, en l'absence de ceux-ci, à la dernière édition du Code national de l'électricité, ANSI/NFPA n° 70 ou au Code canadien de l'électricité au Canada.

L'installation doit être effectuée par un électricien qualifié.

POUR VOTRE SÉCURITÉ, CET APPAREIL DOIT ÊTRE CORRECTEMENT MIS À LA TERRE.

Si vous utilisez une source d'alimentation électrique extérieure, cet appareil doit être, au moment de son installation, mis à la terre conformément aux codes locaux en vigueur ou, en l'absence de ces codes, conformément au Code national de l'électricité, ANSI/NFPA 70.

Pour diminuer les risques de choc électrique, cet appareil est muni d'une fiche de mise à la terre à quatre broches (NEMA 14-50P) et devrait être branché directement dans une prise correctement mise à la terre.

Ne coupez et ne retirez en aucun cas la quatrième broche (mise à la terre) de la fiche du cordon d'alimentation.

PIÈCES DE RECHANGE

Seules les pièces de rechange autorisées peuvent être utilisées lors d'une réparation sur la cuisinière. Des pièces de rechange sont disponibles chez les concessionnaires de pièces d'origine. Veuillez communiquer avec le concessionnaire de pièces de votre région.

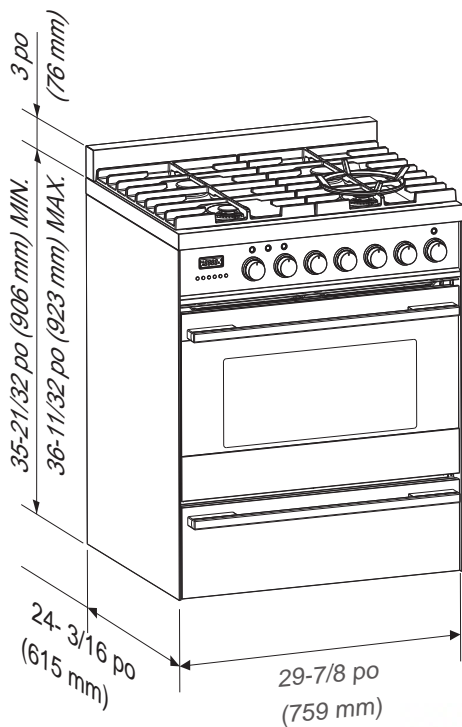


Fig. 1.1

PROXIMITÉ DES ARMOIRES

1. Cette cuisinière peut être installée directement adjacente à des armoires de base existantes de 36 po (914 mm) de hauteur.

Dimensions de la cuisinière :

- largeur : 29-7/8 po (759 mm)
- profondeur : 24-3/16 po (615 mm)
- hauteur (sans dossier) : 35-21/32 po (906 mm) MIN. - 36-11/32 po (923 mm) MAX.
- dossier (hauteur) : 3 po (76 mm)

Ouverture du tuyau de gaz: Mur - 37/64 po (14,5 mm) du côté droit vers le centre de la cuisinière; de 5-7/16 po (138 mm) à 6-1/8 po (155,5 mm) du sol, selon le réglage des pieds.

Zone pour le raccordement électrique: 37/64 po (14,5 mm) du côté gauche vers le centre de la cuisinière; de 5-7/16 po (138 mm) à 6-1/8 po (155,5 mm) du sol, selon le réglage des pieds.

Le cordon d'alimentation électrique avec fiche de mise à la terre à quatre broches (NEMA 14-50P) doit avoir une longueur minimale de 48 po (1 220 mm) au-delà de l'arrière de l'appareil.

2. La cuisinière NE PEUT PAS être installée directement adjacente à un mur, à une armoire haute, à un électroménager haut ou à toute autre surface latérale verticale de plus de 36 po (914 mm) de hauteur.

Un dégagement latéral minimal de 11-13/16 po (300 mm) est nécessaire entre la cuisinière et toute surface combustible À DROITE ou À GAUCHE, au-dessus du comptoir de 36 po (914 mm) de hauteur.

IMPORTANT : Un côté (gauche ou droit) au-dessus du comptoir de 36 po (914 mm) de hauteur doit toujours être dégagé.

Installation en d'îlot: Un dégagement minimal de 12 po (305 mm) est nécessaire entre l'arrière du dossier et toute surface combustible derrière la cuisinière, au-dessus du comptoir de 36 po (914 mm) de hauteur.

3. La profondeur maximale recommandée de l'armoire supérieure est de 13 po (330 mm). L'armoire au-dessus de la cuisinière doit être située au moins 30 po (762 mm) au-dessus du comptoir, avec une largeur minimale de 30 po (762 mm); elle doit être centrée avec la cuisinière. Les armoires latérales au-dessus de la cuisinière doivent être situées au moins 18 po (457 mm) au-dessus du comptoir.

AjM

Your Appliances

800-545-5555

RACCORDEMENTS ÉLECTRIQUE ET AU GAZ

Ligne pointillée illustrant la position de la cuisinière au moment de l'installation

Réf.	pouces	mm
A	5-7/16 po - 6-1/8 po (*)	138 - 155.5 (*)
B	14" - 3/8 po	365
C	37/64 po	14.5

(*) : En fonction du réglage des pieds

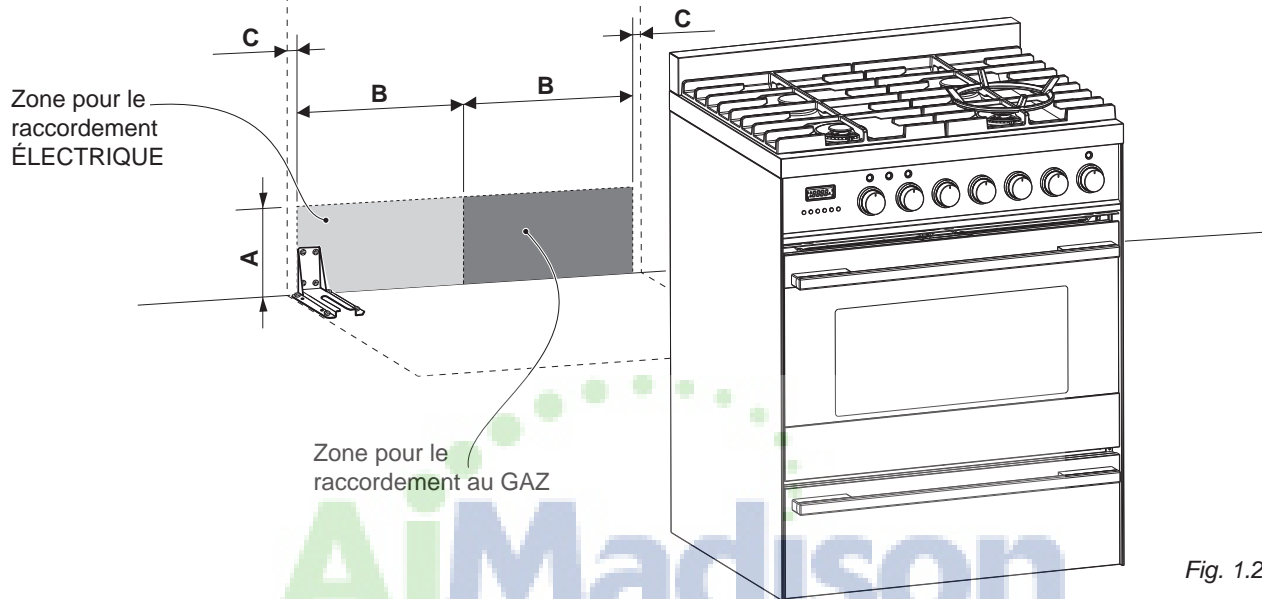
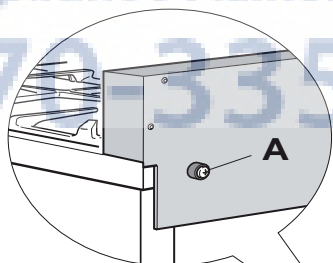


Fig. 1.2



MONTAGE DU DOSSERET

L'installation du dossier est obligatoire.

Montez le dossier tel qu'indiqué à la figure 1.3 :

- Vissez les 2 vis "A" en interposant les butoirs.
- Vissez la vis centrale "B".

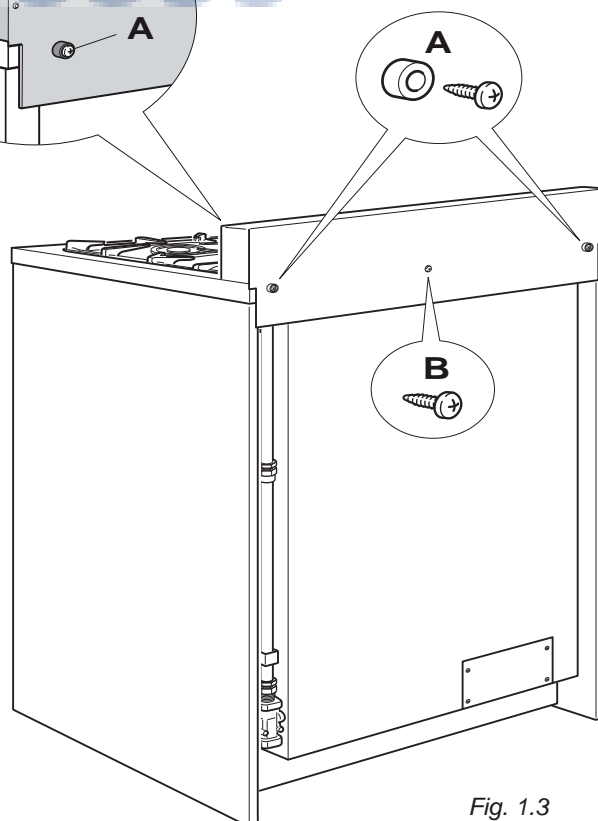
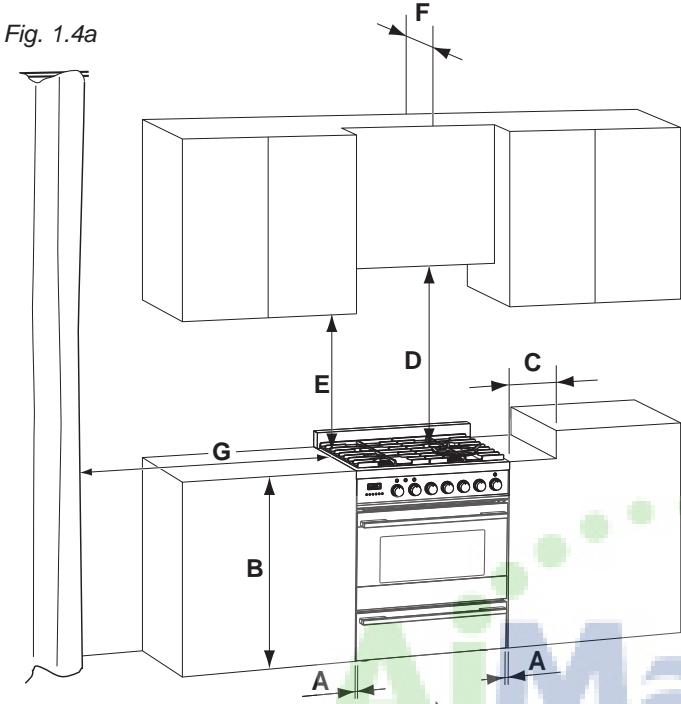


Fig. 1.3

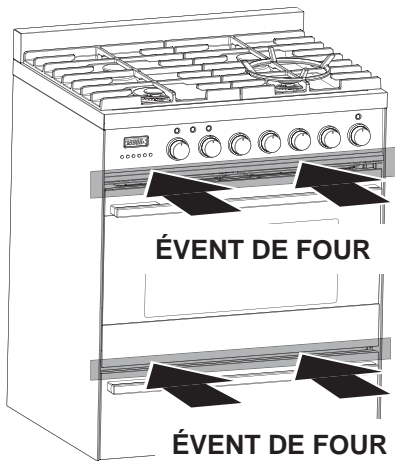
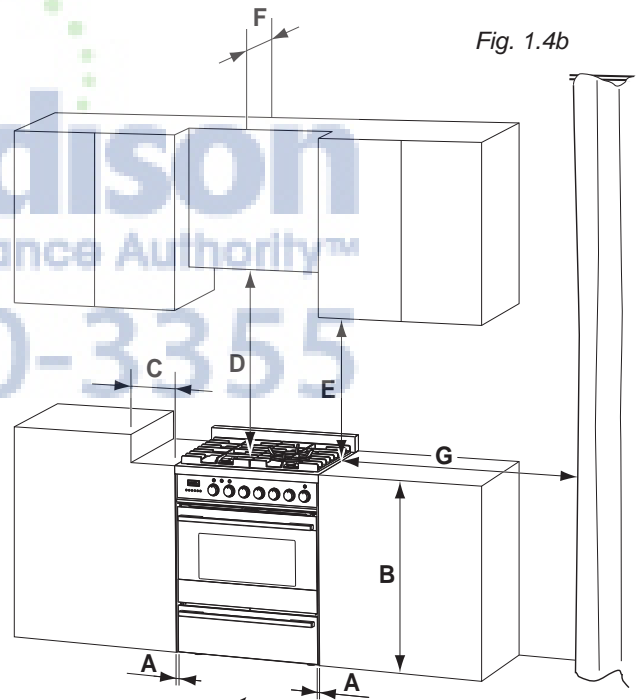
**PROXIMITÉ DES ARMOIRES
INSTALLATION STANDARD**

Fig. 1.4a



Réf.	pouces	mm
A	0 po	0
B	36 po	914
C	11-13/16 po	300
D	30 po minimum	762 minimum
E	18 po minimum	457 minimum
F	13 po maximum	330 maximum
G	20 po minimum	500 minimum

Fig. 1.4b



AjMadison
Your Appliance Authority™
800-570-3355

PROXIMITÉ DES ARMOIRES INSTALLATION EN ÎLOT

Réf.	pouces	mm
A	0 po	0
B	36 po	914
C	11-13/16 po	300
D	30 po minimum	762 minimum
E	18 po minimum	457 minimum
F	13 po maximum	330 maximum
G	20 po minimum	500 minimum
H	12 po minimum	305 minimum

Fig. 1.5a

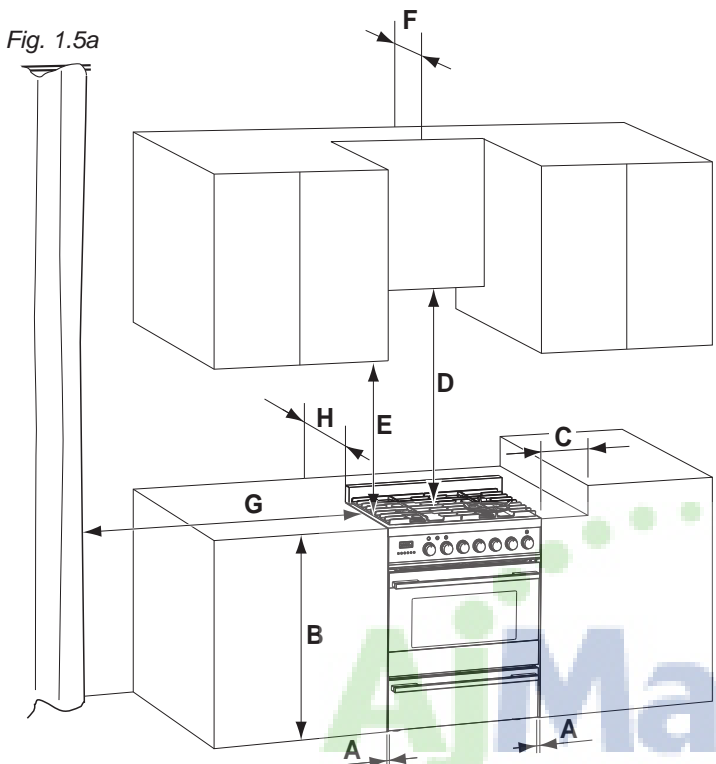
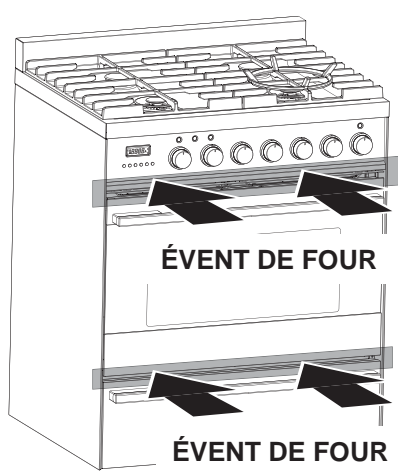
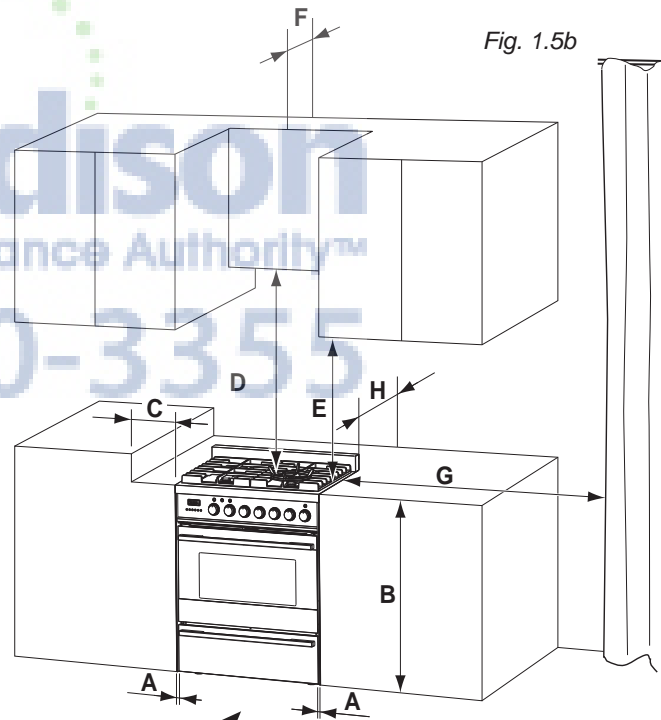


Fig. 1.5b



Madison
Your Appliance Authority™
800-570-3355

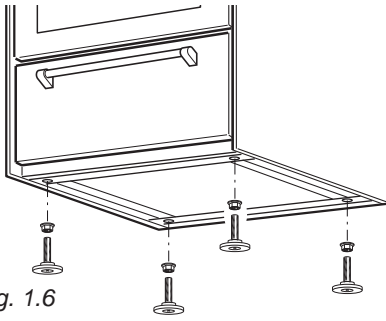


Fig. 1.6

MISE À NIVEAU DE LA CUISINIÈRE

La cuisinière est munie de 4 PIEDS DE MISE À NIVEAU et peut être mise à niveau en vissant ou en dévissant ces pieds (figs. 1.6, 1.7).

Il est important de respecter les instructions des figures 1.6, 1.8a, 1.8b.

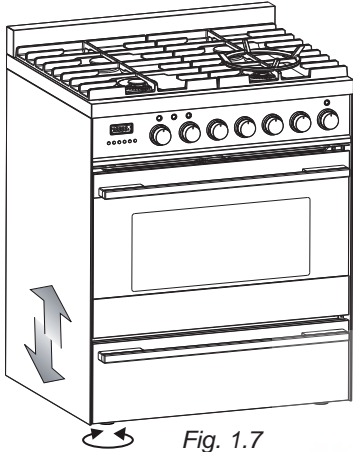


Fig. 1.7

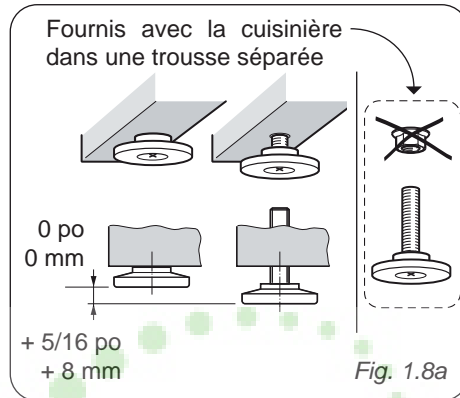


Fig. 1.8a

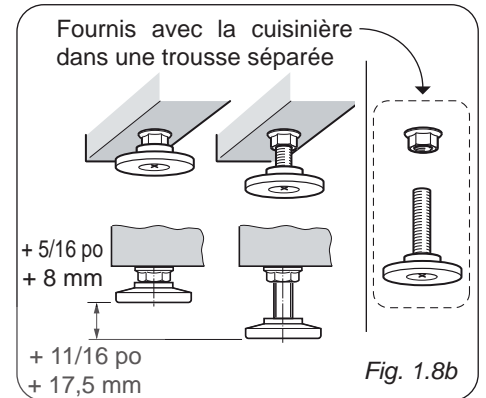


Fig. 1.8b

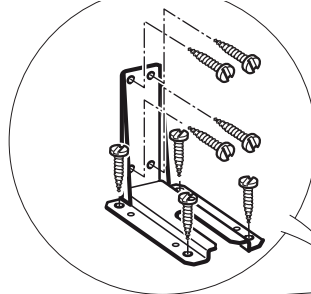


VOUS DEVEZ UTILISER LE SUPPORT DE STABILITÉ ANTIBASCULEMENT POUR ÉVITER QUE L'APPAREIL BASCULE.

INSTRUCTIONS D'INSTALLATION DU DISPOSITIF DE STABILITÉ ANTIBASCULEMENT

1. Le support antibasculé doit être fixé tel qu'indiqué dans l'illustration ci-dessous (seulement le côté arrière gauche). Il doit être fixé au sol OU au mur arrière avec des vis n° 4 (quatre) appropriées (non fournies). Alternativement, le support antibasculé peut être fixé aussi au sol ET au mur arrière avec des vis n° 8 (huit) appropriées (non fournies).
2. Après avoir fixé le support antibasculé, glissez la cuisinière en place. Assurez-vous que le pied arrière gauche glisse sous le support antibasculé fixé.

INSTALLATION DU DISPOSITIF DE STABILITÉ ANTIBASCULEMENT



Dispositif de stabilité antibasculé

Pied arrière gauche de la cuisinière

Ligne pointillée illustrant la position de la cuisinière au moment de l'installation

11 11/16 po
(297 mm)

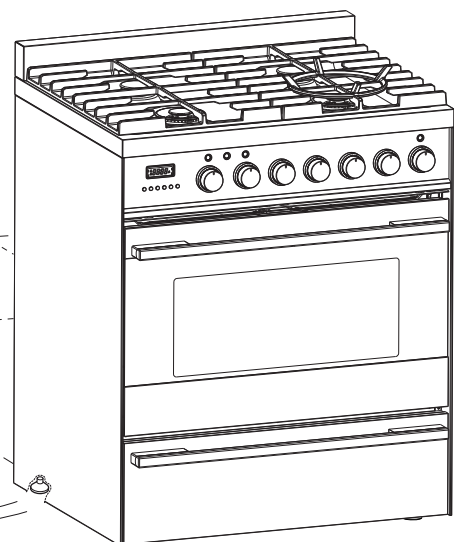


Fig. 1.9

INSTALLATION DE LA PROTECTION ANTÉRIEURE POUR LA SURFACE DE CUISSON

Pour augmenter la distance entre le bord avant de la surface de cuisson et les brûleurs, il est possible d'installer une protection antérieure (fournie avec l'appareil).

IMPORTANT: Pour installer/démonter cette protection, il est nécessaire d'enlever la surface de cuisson. Essayer d'installer/démonter la protection sans avoir enlevé la surface de cuisson, causera des dommages permanents à l'appareil.

Installez la protection antérieure comme indiqué sur la figure 1.10:

1. Enlevez le dossieret.
2. Enlevez les grilles, les couvercles des brûleurs et les diffuseurs de flammes.
3. Dévissez les vis de fixation de la surface de cuisson ("A" sur la figure ci-dessous).
4. Enlevez le répartiteur de flammes intérieur des brûleurs doubles ("B" sur la figure ci-dessous).
5. Enlevez la surface de cuisson (en faisant attention à ne pas endommager les joints installés au-dessus des coupes des brûleurs - dessous de la surface de cuisson).
6. Installez la protection antérieure "C", en accrochant les deux extrémités dans les trous appropriés au-dessus du tableau de bord ("D" sur la figure ci-dessous).
7. Remontez la surface de cuisson et les autres composants (étape de 5 à 1).
Faites beaucoup d'attention aux joints installés au-dessus des coupes des brûleurs (dessous de la surface de cuisson); s'ils sont endommagés, ils doivent être remplacés.

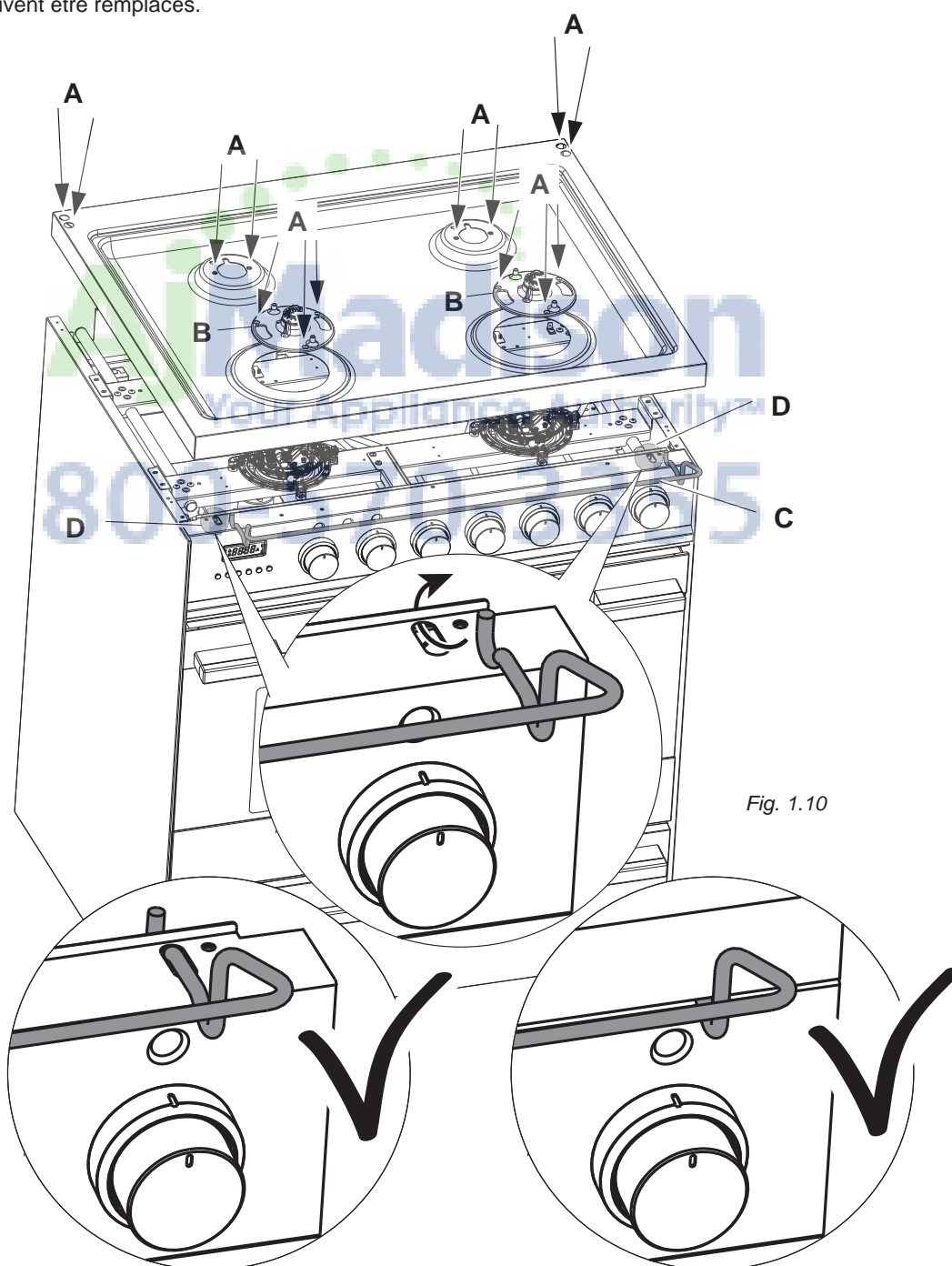


Fig. 1.10

Tous les raccords au gaz doivent être effectués conformément aux codes nationaux et locaux. Ce tuyau d'alimentation en gaz doit être du même format ou plus grand que la conduite de l'appareil. Le produit d'étanchéité sur tous les joints de tuyau doit être résistant à l'action du gaz propane/GPL.

Cet appareil est muni d'un équipement pour l'utilisation avec du gaz NATUREL. La conception a été certifiée par CSA International pour le gaz NATUREL et le GPL, avec conversion appropriée.

La plaque signalétique de modèle/série, située dans la surface en dessous du tiroir, contient des renseignements sur le type de gaz pouvant être utilisé. Si cette information ne correspond pas au type de gaz disponible, consultez le fournisseur de gaz de votre région. Consultez les pages 38 à 41 pour les instructions de conversion au GPL.

1. Robinet d'arrêt manuel (fig. 2.1):

Le tuyau d'alimentation doit être muni d'un robinet d'arrêt approuvé. Ce robinet doit être situé dans la même pièce que la cuisinière et à un endroit permettant la mise en service et l'arrêt faciles (dans une position rapidement accessible en cas d'urgence).

Ne bloquez pas l'accès au robinet d'arrêt. Le robinet sert à mettre en service ou à fermer l'alimentation en gaz à l'appareil.

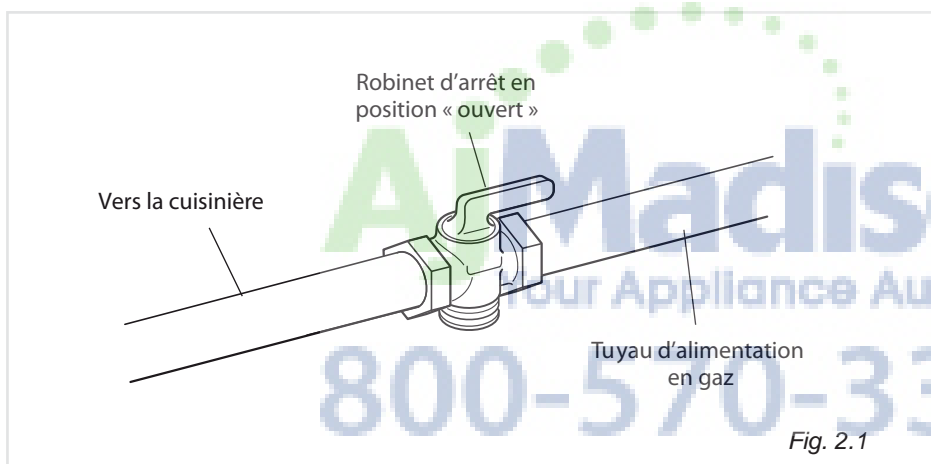


Fig. 2.1

2. Régulateur de pression :

- a. Tout appareil de cuisson à usage industriel ou commercial doit être muni d'un régulateur de pression sur le tuyau d'alimentation pour un fonctionnement sécuritaire et efficace, étant donné que la pression de service peut varier en fonction de la demande de la région.

Avant d'installer le régulateur, montez le connecteur mâle (conique) NPT de 1/2 po au régulateur (fig. 2.2). Le joint fourni doit être placé entre le connecteur (conique) NPT de 1/2 po et le raccord mâle du tuyau de prolongation (fig. 2.3).

Le régulateur fourni avec cette cuisinière doit être installé avant d'effectuer tout raccordement au gaz.

Utilisez uniquement le régulateur de pression fourni.

AVERTISSEMENT



Risque d'explosion

Utilisez un nouveau tuyau d'alimentation en gaz homologué CSA ou cUL.

Installez un robinet d'arrêt.

Serrez bien tous les raccords au gaz.

Dans le cas d'un raccordement au GPL, faites vérifier par une personne qualifiée que la pression de gaz ne dépasse pas 14 po de colonne d'eau.

Les personnes qualifiées comprennent le technicien en chauffage agréé, le personnel autorisé de la société gazière et le technicien autorisé.

Le non-respect de ces consignes peut entraîner la mort, provoquer une explosion ou un incendie.

INSTALLATION DU RÉGULATEUR DE PRESSION

ÉTAPE 1

Montez le connecteur mâle (conique) NPT de 1/2 po sur le régulateur de pression et serrez avec une clef.
Ne serrez pas le connecteur outre mesure.
Trop serrer pourrait entraîner une fissure dans le régulateur.

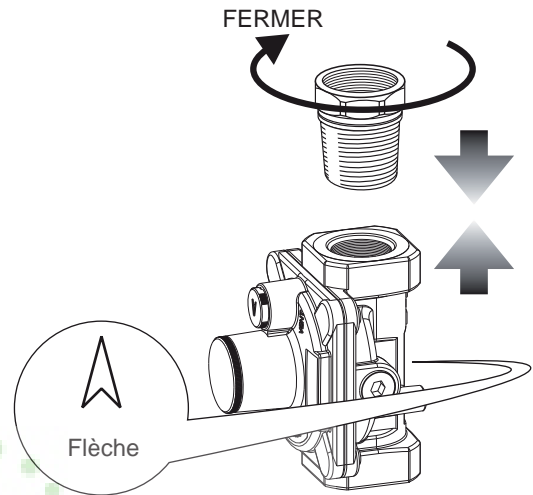


Fig. 2.2

ÉTAPE 2

Montez le connecteur NPT de 1/2 po et l'ensemble du régulateur de pression sur le tuyau de prolongation en interposant le joint fourni. Le couvercle du régulateur doit être orienté vers l'avant de la cuisinière.
IMPORTANT : Utilisez deux clefs pour serrer le raccord.

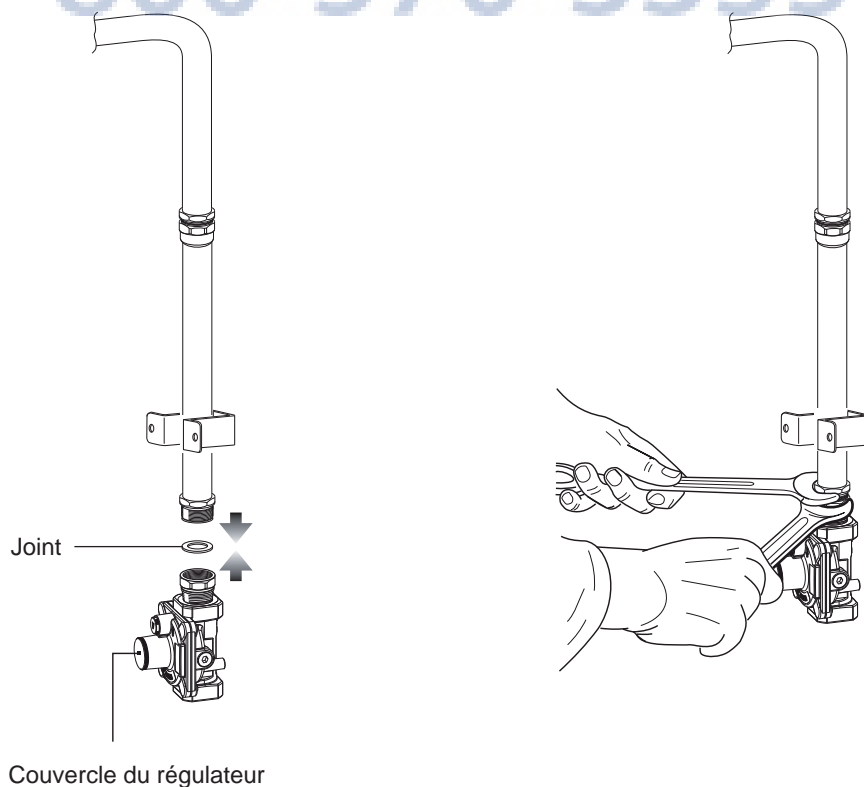


Fig. 2.3

SPÉCIFICATION DU RACCORDEMENT AU GAZ

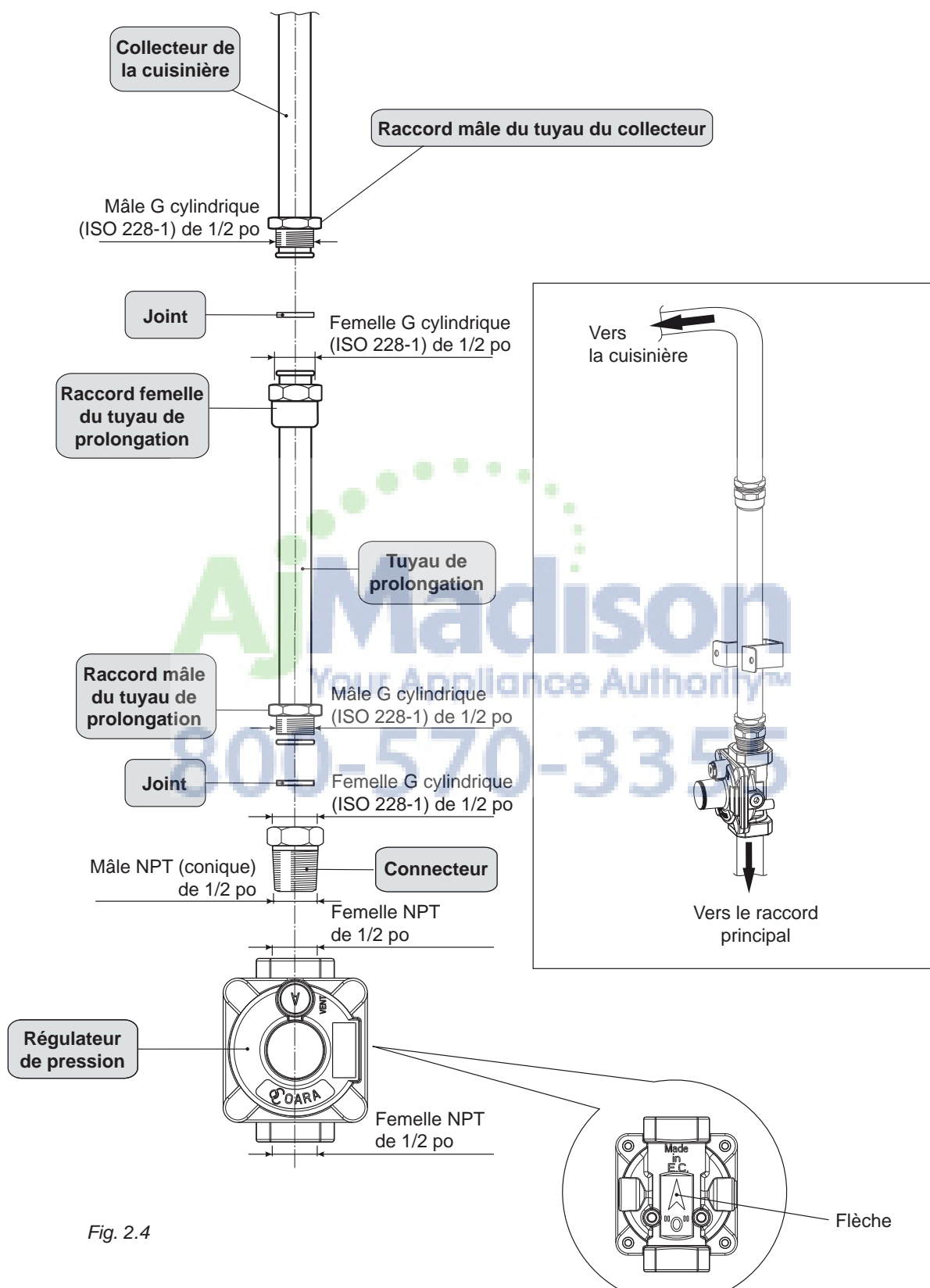


Fig. 2.4

AVERTISSEMENT : Vérifiez que le régulateur de gaz est bien positionné. La flèche située à l'arrière du régulateur de gaz doit être orientée vers le connecteur.

ADAPTATEUR DU POINT D'ÉPREUVE

L'adaptateur du point d'épreuve est disponible auprès du Service après-vente.

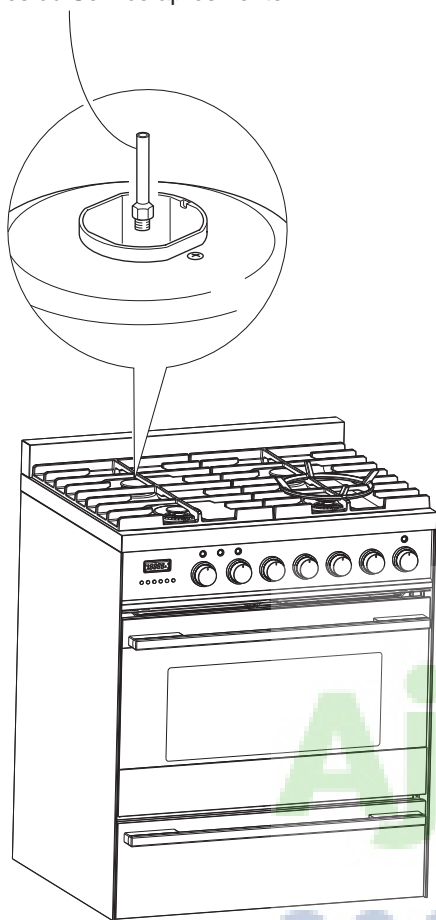


Fig. 2.5

- b. Toute conversion requise doit être effectuée soit par votre détaillant, soit par un technicien agréé qualifié ou par la société gazière. Veuillez remettre le présent manuel au technicien avant de commencer l'entretien de la cuisinière (Les conversions de gaz sont la responsabilité du détaillant ou de l'utilisateur final).
- c. Cette cuisinière fonctionne au gaz NATUREL ou au gaz PROPANE/GPL. Elle est livrée avec le gaz NATUREL comme réglage par défaut.
- d. La pression d'admission doit être vérifiée avec un manomètre et en suivant les indications ci-dessous :
 - Enlevez l'injecteur du brûleur arrière gauche (ou arrière droite) et montez l'adaptateur du point d'épreuve approprié, disponible auprès du Service après-vente (consultez la figure ci-contre ainsi que le chapitre intitulé "OPÉRATIONS À EFFECTUER POUR REMPLACER LES INJECTEURS").
 - Tournez le bouton de commande du brûleur arrière gauche (ou arrière droite) à la position maximale.
 - Appuyez sur le bouton et en le maintenant enfoncé, vérifiez la pression d'admission avec un manomètre. Le gaz NATUREL nécessite une pression de 4,0 po CE et le gaz PROPANE/GPL, une pression de 11,0 po CE.
 - La pression du tuyau d'alimentation en amont du régulateur doit être de 1 po CE plus élevée que celle de la pression d'admission afin de pouvoir vérifier le régulateur.
 - Le régulateur utilisé avec cette cuisinière peut résister à une pression d'entrée maximale de 1/2 lb/po² (14,0 po CE). Si la pression du tuyau excède cette valeur, vous aurez besoin d'un régulateur abaisseur.
- e. Lorsque vous utilisez des pressions de plus de 1/2 lb/po² (3,5 kPa) pour faire un essai de pression sur le système d'alimentation en gaz, débranchez l'appareil, le robinet d'arrêt individuel de la tuyauterie d'alimentation en gaz et le régulateur de pression.
- f. Lorsque vous utilisez des pressions de 1/2 lb/po² (3,5 kPa) ou moins pour faire un essai de pression sur le système d'alimentation en gaz, isolez l'appareil du système d'alimentation en gaz en fermant le robinet d'arrêt individuel.

3. Raccords flexibles :

Si les codes locaux le permettent, l'utilisation d'un raccord flexible métallique pour électroménager, certifié par CSA International ou UL, est recommandée pour raccorder cette cuisinière au tuyau d'alimentation en gaz. Assurez-vous de ne pas plier ni d'endommager le raccord flexible lorsque vous déplacez la cuisinière. Le régulateur de pression possède un filetage femelle NPT de 1/2 po. Vous devrez déterminer les raccords requis en fonction du format du tuyau d'alimentation en gaz, du raccord de métal flexible et du robinet d'arrêt.

4. Raccords de tuyaux rigides

Si vous utilisez un tuyau rigide comme tuyau d'alimentation en gaz, vous devrez vous servir d'une combinaison de raccords de tuyauterie pour obtenir un raccordement en ligne à la cuisinière. Vous devez éliminer toute tension mécanique des tuyaux d'alimentation et de carburant afin que la cuisinière soit de niveau et en ligne.

- Utilisez de la pâte à joints et des joints qui résistent à l'action du gaz naturel ou du propane sur tout filetage mâle.
- Ne serrez pas le raccord de gaz outre mesure lors de la fixation du régulateur de pression. Trop serrer pourrait entraîner une fissure dans le régulateur.

5. Vérification de l'absence de fuite :

IMPORTANT : La vérification de l'absence de fuite doit être effectuée comme suit :

- Après avoir effectué le dernier raccordement au gaz, ouvrez le robinet de gaz manuel et testez chaque raccord de la tuyauterie d'alimentation en gaz ainsi que l'appareil pour vérifier l'absence de fuite de gaz, en utilisant une solution d'eau savonneuse. Lors de cette vérification, tous les robinets de gaz de l'appareil doivent être fermés.
- Pour réduire les risques de dommages matériels ou de blessures corporelles graves, n'utilisez jamais la flamme d'une allumette. S'il y a une fuite, serrez le joint ou dévissez-le, appliquez-y de la pâte à joints supplémentaire, resserrez-le et vérifiez à nouveau l'absence de fuite.

CONVERSION AU GAZ PROPANE/GPL (OU CONVERSION POUR RETOURNER AU GAZ ORIGINEL - GAZ NATUREL)

Chaque cuisinière est fournie avec un ensemble d'injecteurs pour les divers types de gaz.

Choisissez les injecteurs à être remplacés selon le "TABLEAU DES INJECTEURS".

Le diamètre de la busette, exprimé en centièmes de millimètre, est indiqué sur le corps de chaque injecteur.

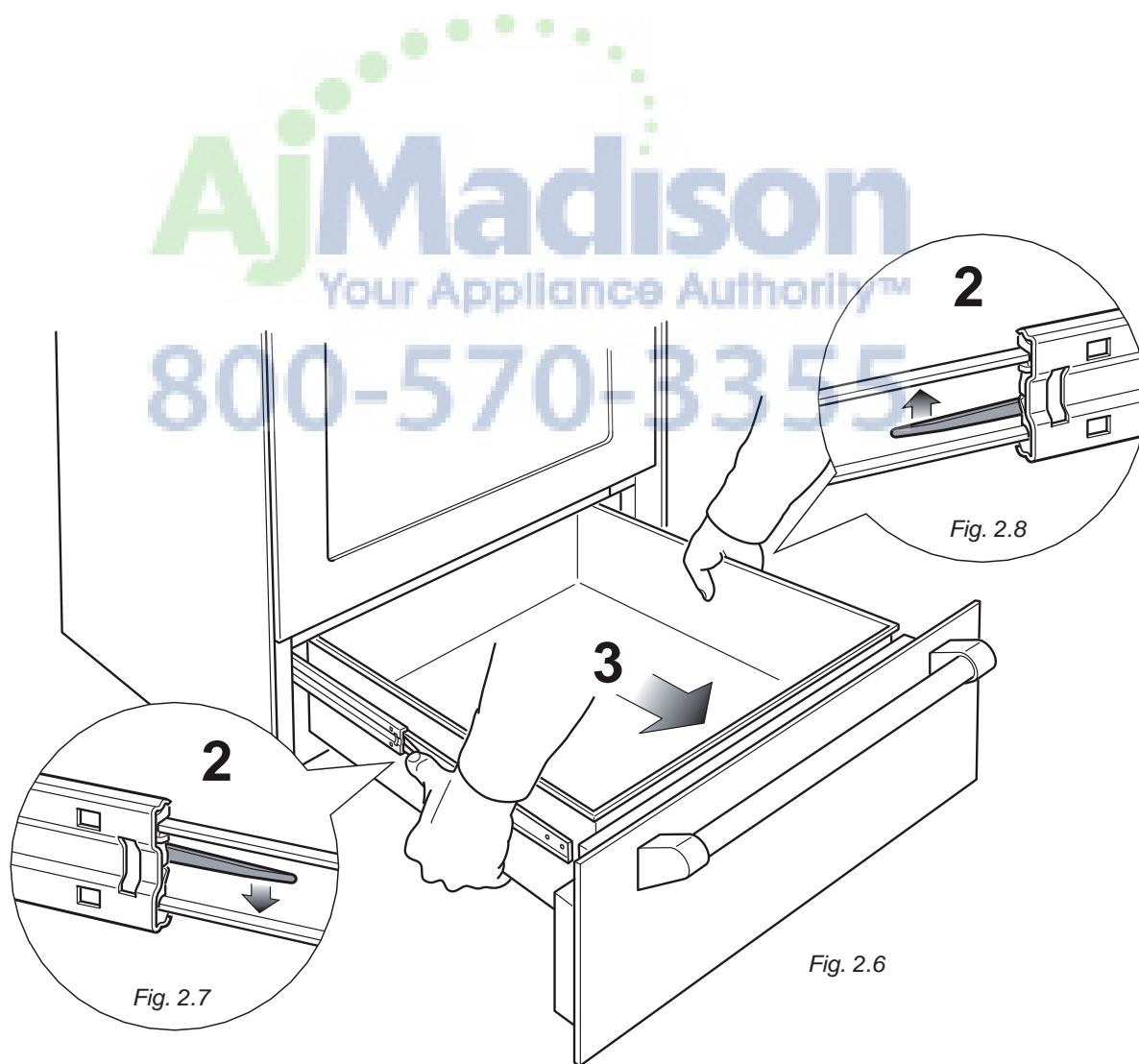
REMARQUE : Conservez les embouts que vous avez enlevés de l'appareil pour un usage ultérieur.

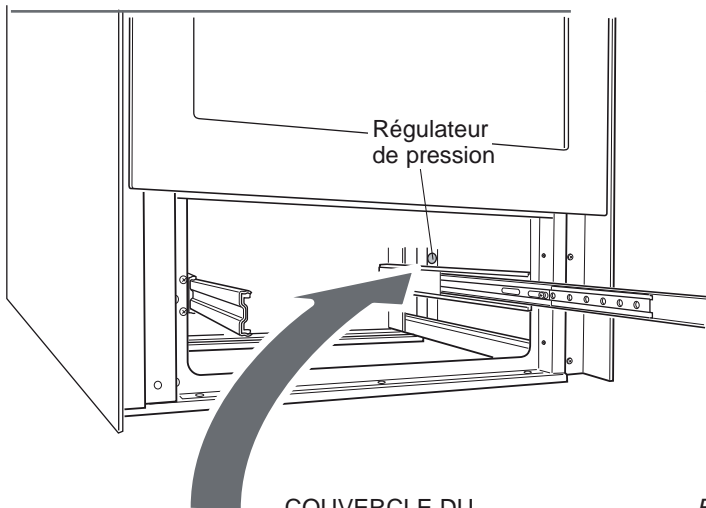
RÉGLAGE DU RÉGULATEUR DE PRESSION

Vous pouvez accéder au régulateur de pression en retirant le tiroir de maintien au chaud. Le régulateur de pression est situé sur le côté droit arrière de la cuisinière (fig. 2.9).

Pour retirer le tiroir de maintien au chaud :

1. Ouvrez le tiroir complètement (fig. 2.6).
2. Abaissez le levier de la glissière gauche (fig. 2.7) et levez le levier de la glissière droite (fig. 2.8).
3. Retirez le tiroir; les leviers ne doivent pas bouger (fig. 2.6).

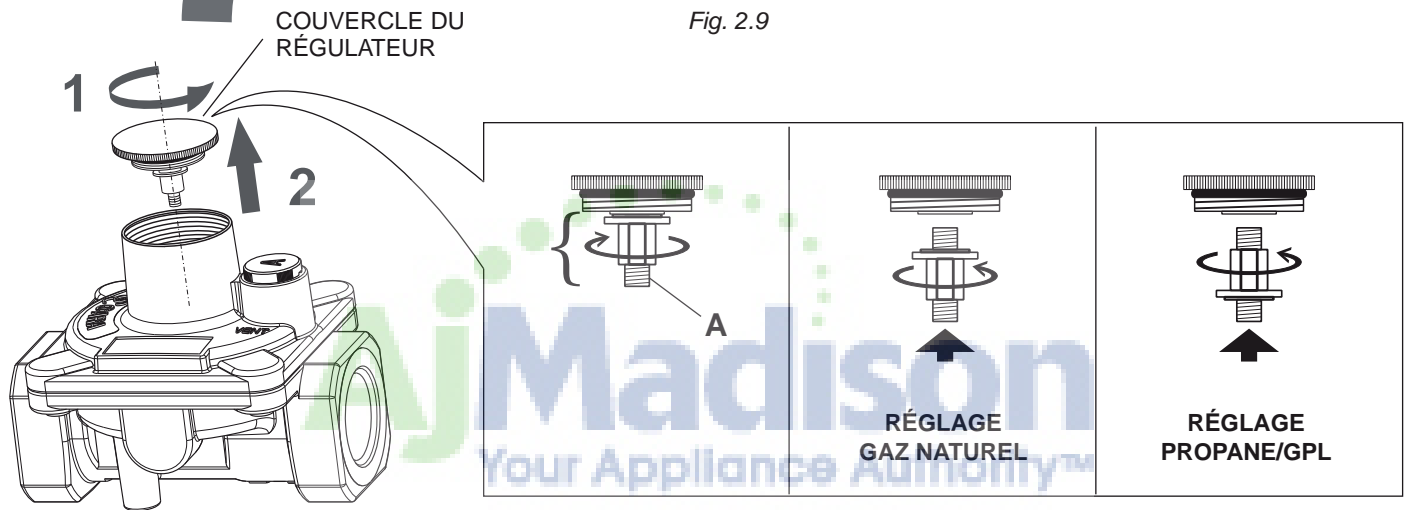




Pour régler le régulateur de pression (fig. 2.9):

1. Dévissez le couvercle du régulateur.
2. Dévissez le composant "A", inversez-le et vissez-le selon le réglage PROPANE/GPL (ou GAZ NATUREL).

Fig. 2.9



800-570-3355

Installation du tiroir de maintien au chaud (fig. 2.10):

1. Insérez les glissières du tiroir dans les glissières de la cuisinière (fig. 2.10).
2. Refermez le tiroir complètement avec précaution; les dispositifs de sécurité s'accrocheront automatiquement.

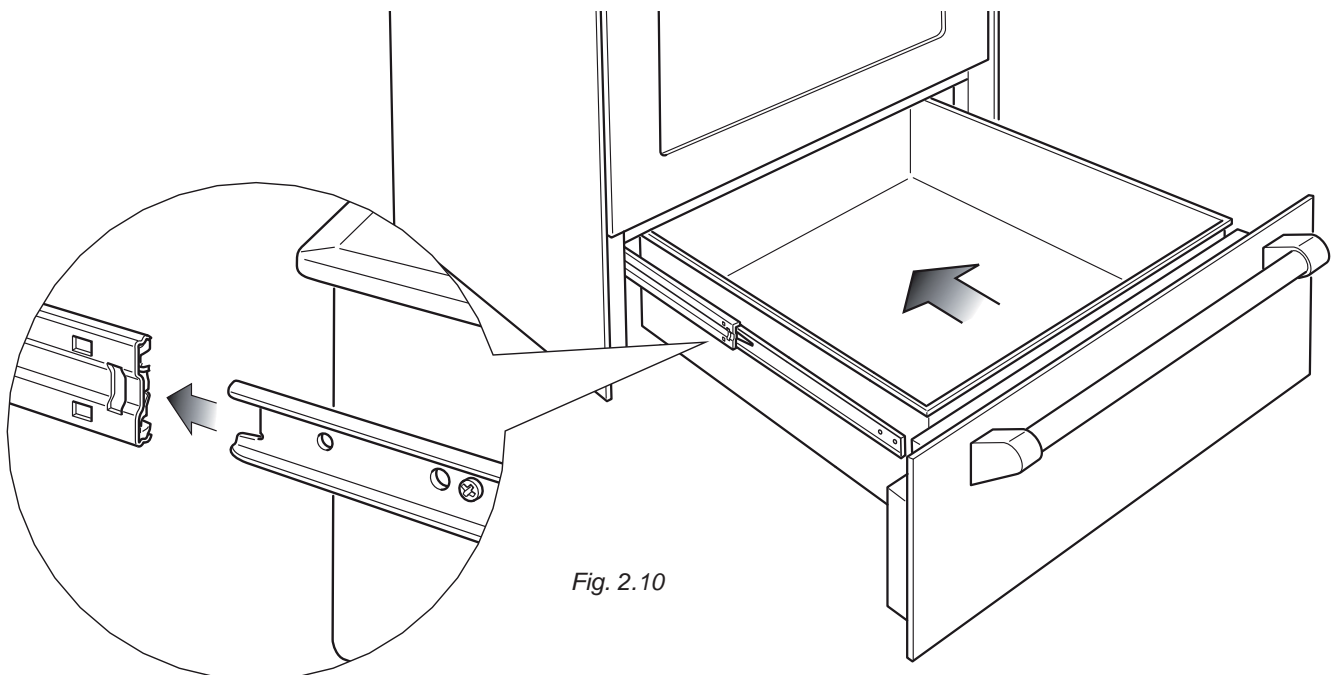


Fig. 2.10

TABEAU DES INJECTEURS

		PUISSANCE NOMINALE	PUISSANCE RÉDUITE	PROPANE/GPL Pression de 11 po CE	GAZ NATUREL Pression de 4 po CE
BRÛLEURS		BTU/hr	BTU/hr	Injecteur Ø [1/100 mm]	Injecteur Ø [1/100 mm]
Semi-rapide (SR)		8000	1500	85	139
Double (D)	Couronne intérieure	2100	1000	42 (*)	70 (*)
	Couronne extérieure	17000	6500	115 (#)	200 (#)

(*) couronne intérieure ("J₂" dans la figure 2.12)

(#) couronne extérieure ("J₃" dans la figure 2.12)

OPÉRATIONS À EFFECTUER POUR REMPLACER LES INJECTEURS

- Enlevez les grilles, les couvercles des brûleurs et les diffuseurs de flammes.
- Seulement pour le brûleur double (fig. 2.12): Dévissez les trois vis "A" et enlevez le diffuseur de flammes intérieurs "B"; ensuite dévissez les deux vis "C" et enlevez la plaquette de recouvrement "D".
- En vous servant d'une clef, remplacez les busettes "J₁", "J₂" et "J₃" (fig. 2.11, 2.12) avec celles les plus appropriées pour le type de gaz à utiliser.
- Seulement pour le brûleur double (fig. 2.12): Remontez la plaquette de recouvrement "D" et vissez les deux vis "C"; ensuite remontez le diffuseur de flammes intérieurs "B" et vissez les trois vis "A".
- Remontez les diffuseurs de flammes, les couvercles des brûleurs et les grilles.

Les brûleurs ont été conçus de façon telle qu'ils ne nécessitent pas de réglage de l'air primaire.

BRÛLEUR SEMI-RAPIDE

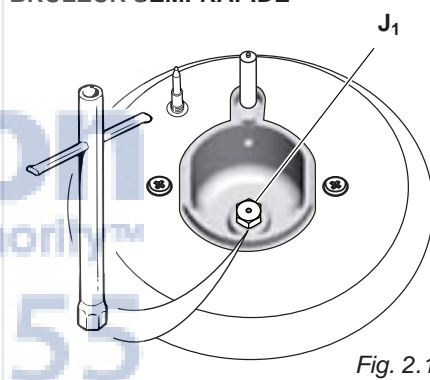


Fig. 2.11

BRÛLEUR DOUBLE

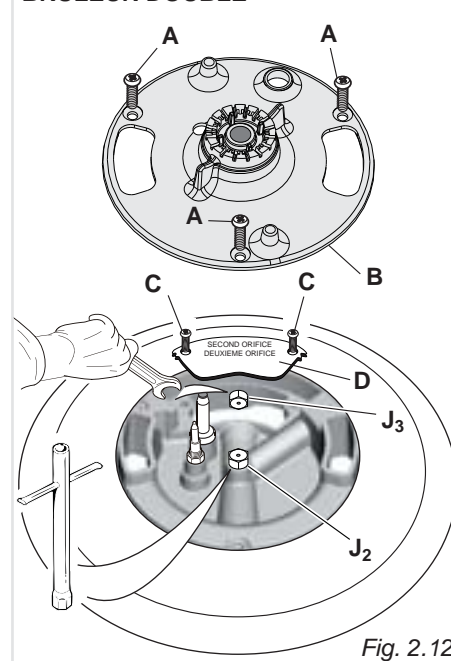


Fig. 2.12

RÉGLAGE MINIMUM DU BRÛLEUR

Lorsque vous passez d'un type de gaz à un autre, le débit minimal doit aussi être correct: les flammes ne devraient pas s'éteindre même lors du passage brusque des flammes maximales aux flammes minimales.

Pour régler les flammes (fig. 2.13), suivez les instructions ci-dessous:

Brûleur semi-rapide

- Allumez le brûleur.
- Réglez le robinet de gaz à la position **LO** (ouverture minimale).
- Enlevez le bouton.
- En vous servant d'un tournevis fin, tournez la vis de réglage "**R₁**" jusqu'à ce que le réglage soit correct.

Couronne intérieure du brûleur DOUBLE

- Allumez le brûleur DOUBLE.
- Réglez le robinet de gaz à la position **LO** (ouverture minimale de la couronne intérieure).
- Enlevez le bouton.
- En vous servant d'un tournevis fin, tournez la vis de réglage "**R₂**" jusqu'à ce que le réglage soit correct.

Couronnes extérieures du brûleur DOUBLE

- Allumez le brûleur DOUBLE.
- Réglez le robinet de gaz à la position **LO** (ouverture minimale des couronnes intérieure et extérieure).
- Enlevez le bouton.
- En vous servant d'un tournevis fin, tournez la vis de réglage "**R₃**" jusqu'à ce que le réglage soit correct.

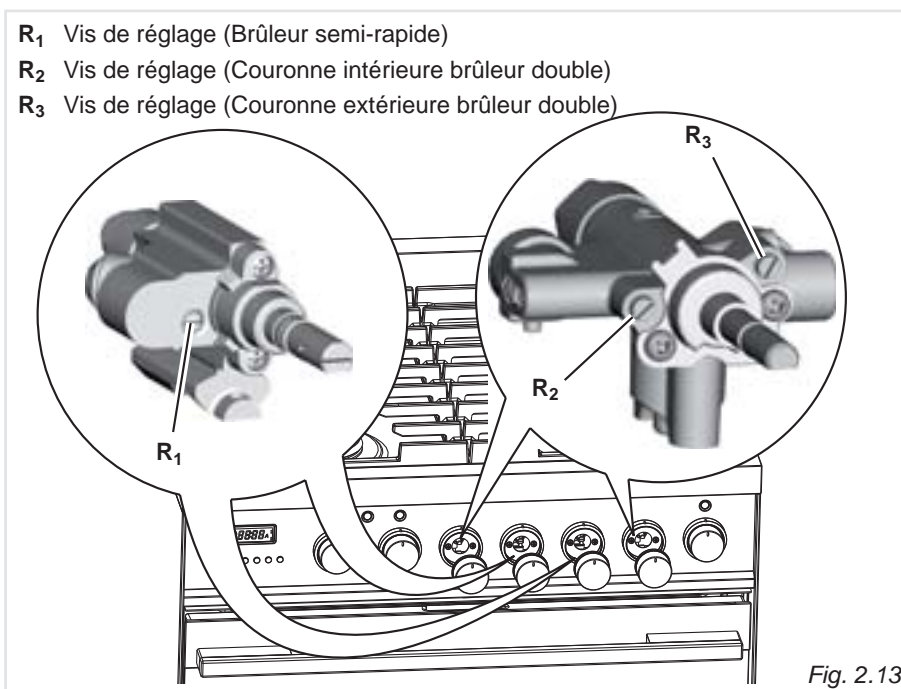
Pour le gaz PROPANE/GPL, serrez complètement les vis de réglage.

Après le réglage, répétez les opérations indiquées au paragraphe "2. RÉGULATEUR DE PRESSION" à la page 34, 37.

Si la cuisinière a été débranchée, puis branchée à nouveau au tuyau d'alimentation en gaz, répétez les opérations indiquées au paragraphe "5. VÉRIFICATION DE L'ABSENCE DE FUITE" à la page 37.

IMPORTANT :

- Une fois la conversion au gaz PROPANE/GPL complétée apposez, près de la plaque signalétique, l'étiquette de conversion fournie et apposez également une étiquette de conversion à la page 25 du présent manuel d'instructions.
- Une fois la conversion pour retourner au gaz originel (GAZ NATUREL) complétée enlever, près de la plaque signalétique et à la page 25 du présent manuel d'instructions, les étiquettes de conversions au PROPANE/GPL. Conservez les étiquettes que vous avez enlevées de l'appareil pour un usage ultérieur.



AVERTISSEMENT**Risque de choc électrique**

Cuisinière mise à la terre.

Le non-respect de ces instructions peut entraîner la mort, provoquer un incendie ou un choc électrique.

Si les codes le permettent et qu'un fil de mise à la terre distinct est utilisé, il est recommandé qu'un électricien qualifié détermine que le trajet de mise à la terre et le calibre du fil sont conformes aux codes locaux.

Assurez-vous que le raccordement électrique et que la taille du fil sont adéquats et conformes à :

- la dernière édition du Code national de l'électricité, ANSI/NFPA 70, et aux codes et règlements locaux;
- la dernière édition du Code canadien de l'électricité CSA C22.1, partie 1, et aux codes et règlements locaux.

POUR LE CANADA SEULEMENT:

Vous pouvez obtenir une copie des normes ci-dessus en écrivant à :

ASSOCIATION CANADIENNE DE NORMALISATION
178, boulevard Rexdale
TORONTO, ON M9W 1R3
CANADA

- Ne mettez pas à la terre à un tuyau de gaz.
- Si vous n'êtes pas certain que la cuisinière est bien mise à la terre, consultez un électricien qualifié.
- N'installez pas de fusibles dans le circuit de mise à la terre ou le circuit neutre.
- Lorsqu'une alimentation électrique biphasée à 4 fils, en c.a. uniquement, de 240-208/120 volts, 60 Hz est disponible, une protection de circuit de 30 A maximum est nécessaire, avec fusible à chaque extrémité du circuit.
- Un fusible temporisé ou un disjoncteur est recommandé.
- Cette cuisinière est équipée d'un cordon d'alimentation certifié par CSA International ou UL, conçu pour être utilisé avec une prise standard de type 14-50R. Assurez-vous que la prise de courant est à portée de la cuisinière, à son emplacement final.
- N'utilisez pas de cordon prolongateur.

Dans le cas de substitution du cordon d'alimentation remplacez-le avec un cordon convenable certifié par UL ou CSA (avec les mêmes caractéristiques techniques du cordon remplacé).

Serrez le cordon d'alimentation en utilisant seulement la bride passe-fils fournie avec l'appareil.

Laissez l'espace suffisant pour permettre de connecter facilement les terminaux du cordon aux terminaux du bornier.

Ces opérations doivent être exécutées seulement par un installateur qualifié.

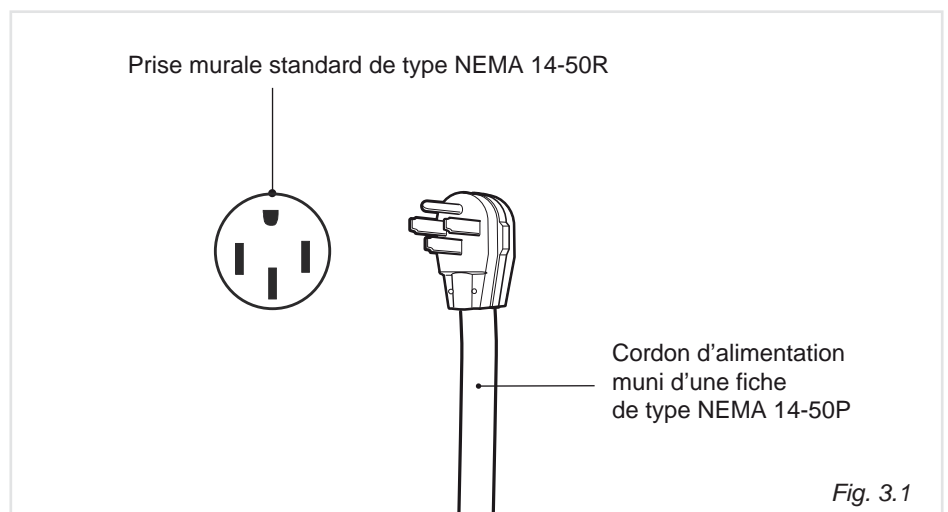
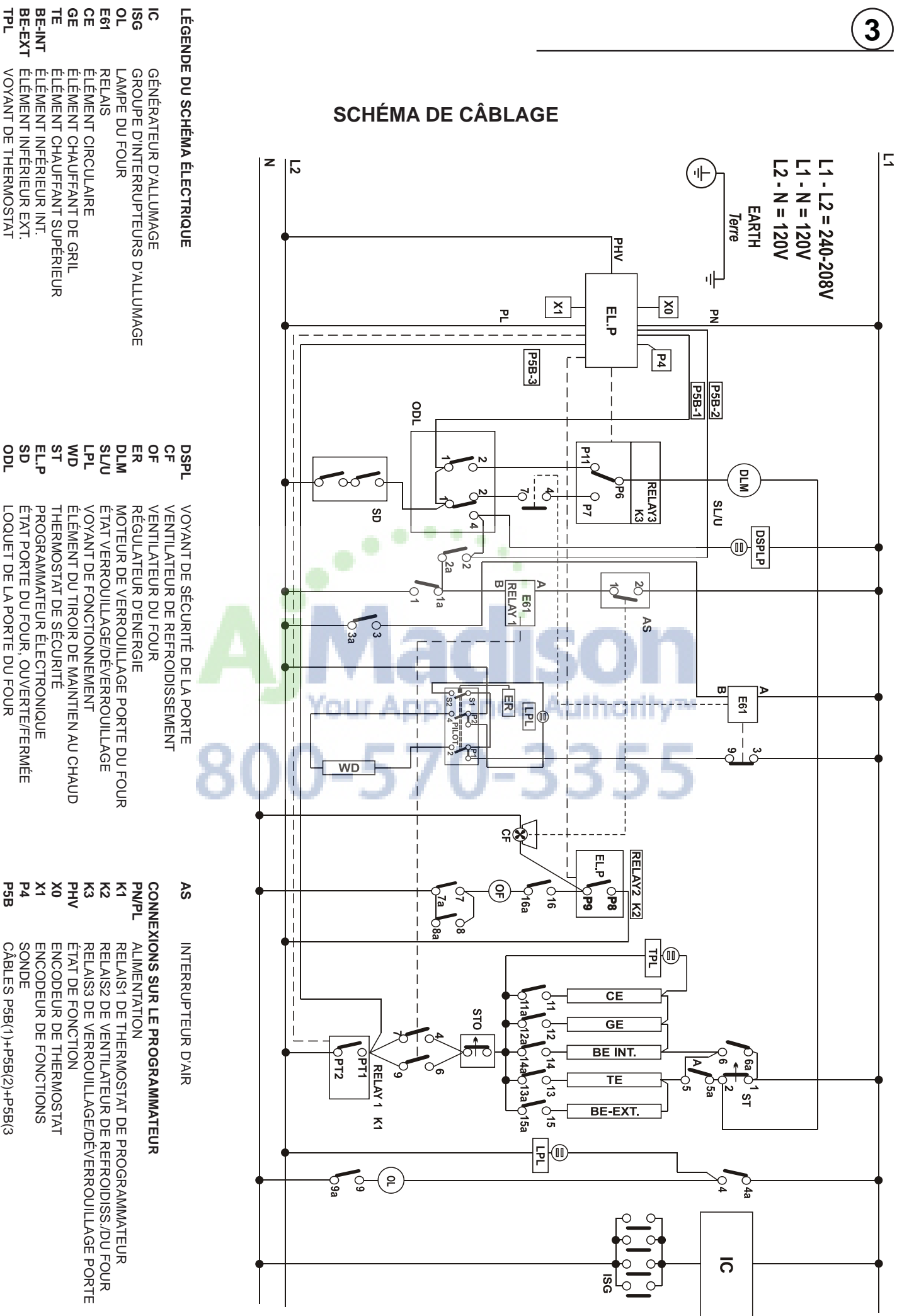


Fig. 3.1

SCHÉMA DE CÂBLAGE



Le fabricant ne peut être tenu responsable des inexactitudes possibles dues à des erreurs d'impression ou de transcription dans le présent livret.

Le fabricant se réserve le droit d'effectuer sur ses produits toute modification qu'il considère nécessaire, pour la fabrication ou pour des raisons commerciales, à tout moment et sans préavis, sans compromettre les caractéristiques indispensables de fonctionnalité et de sécurité des appareils.

