

# Induction Range 30"

Series 9 | Contemporary

Stainless Steel

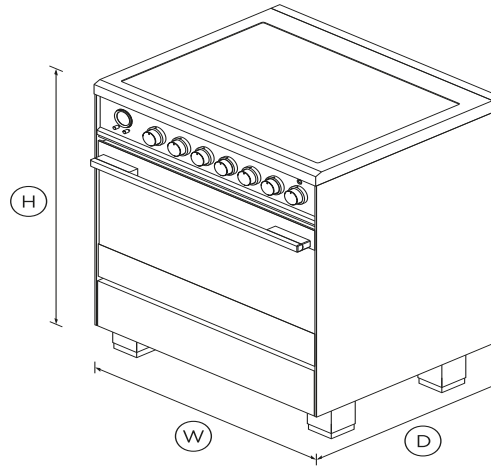


You'll love the instant response induction cooktop with multi-function oven, perfect for making a roast, baking bread and more.

- Four instant-response, cool-to-touch induction cooking zones
- Convection oven with 3.5 cu. ft total capacity and nine oven functions including
- Non-tip full-extension shelves for safe removal of hot dishes
- High-temperature self-cleaning function breaks down food residue for an easy clean

## DIMENSIONS

Height	35 3/4 - 37 5/8"
Width	29 7/8"
Depth	25 1/4"



## FEATURES & BENEFITS

### Multi-shelf cooking

Our AeroTech™ system circulates air evenly throughout the entire oven so dishes on the top shelf turn out just as perfect as food cooking on the bottom shelf.

### Quality and durability

Every detail has been carefully crafted. The solid, perfectly balanced soft-close door, durable cooktop and glowing halo dials all add up to an exceptional, premium range.

### Power & control

Instant and immediate control from the highest to the gentlest heat. The finely tuned cooktop controls let you sear, stir fry or simmer a delicate sauce to perfection.

### Easy to clean

Cleaning up spills is effortless. Your cooktop simply needs a quick wipe to keep it looking good as new. The self-clean function breaks down food residue at a very high temperature, leaving a light ash that's easily removed with a damp cloth.

### Even heat

Accurate, electronically-controlled oven heat ensures a great result every time.

## SPECIFICATIONS

### Accessories

2-pc grill system (Broil pan and	•
Broil pan	•
Full Extension Telescopic	2 sets (part 578776)
Hob rear trim	3 1/8" (part 81656)
Kick strip, stainless steel	Part 81660

### Cleaning

Acid resistant graphite enamel	•
Drop down broil element	•
Drop down grill element	•
Flat easy clean glass surface	•
Pyrolytic proof shelf runners	•
Pyrolytic self-clean	•
Removable oven door	•
Removable shelf runners	•

### Controls

Audio feedback	•
Automatic cooking/minute	•

- Automatic pre-set
- Celsius/Fahrenheit
- Electronic clock
- High resolution display
- Laser etched graphics
- Precise electronic temperature
- Sabbath mode
- Toughened fused glass
- Turned stainless steel clock
- Turned stainless steel dials

**Oven features**

- AeroTech™ technology
- Automatic rapid pre-heat
- Concealed element
- Electronic oven control
- Full extension telescopic
- Internal light **2 x 25W halogen (rear)**
- Soft open/close door
- True convection
- Turned stainless steel clock

**Oven functions**

- Aero Bake
- Aero™ Pastry with Pizza mode
- Number of functions **9**
- Rapid proof
- Roast
- True convection

**Oven performance**

- Broil **4050 BTU**
- Combined warming/Storage **220W**
- CoolTouch door **Triple glazed**
- Warming drawer power **220W**

**Power requirements**

- Amperage **51A**
- Supply frequency **60Hz**

**Product dimensions**

- Depth **25 1/4"**
- Height **35 3/4 - 37 5/8"**
- Width **29 7/8"**

**Rangetop features**

- Auto heat reduce
- Gentle heat
- Heat settings **9**
- Hob rear trim **3 1/8" (part 81656)**
- Induction cooking technology

**Rangetop Performance**

- Number of cooking zones **4**
- PowerBoost

**Safety**

- ADA compliant
- Advanced cooling system
- Anti-tilt bracket

- Balanced oven door
- Catalytic venting system
- Child lock
- CoolTouch door
- Full extension telescopic
- Non-tip shelves
- Pan detection system
- Safety time out
- Spill containment **18 BTU**
- Spillage auto off
- Surface hot indicators

SKU **81722**

The product dimensions and specifications in this page apply to the specific product and model. Under our policy of continuous improvement, these dimensions and specifications may change at any time. You should therefore check with Fisher & Paykel's Customer Care Centre to ensure this page correctly describes the model currently available. ? Fisher & Paykel Appliances Ltd 2020

---

Other product downloads available at [fisherpaykel.com](http://fisherpaykel.com)



User Guide



Installation Guide



Data Sheet Induction Range



**A PEACE OF MIND SALE**

24 Hours 7 Days a Week Customer Support

T 1.888.936.7872 **W**[www.fisherpaykel.com](http://www.fisherpaykel.com)