

Gas Range, 30"

Series 7 | Contemporary

Stainless Steel

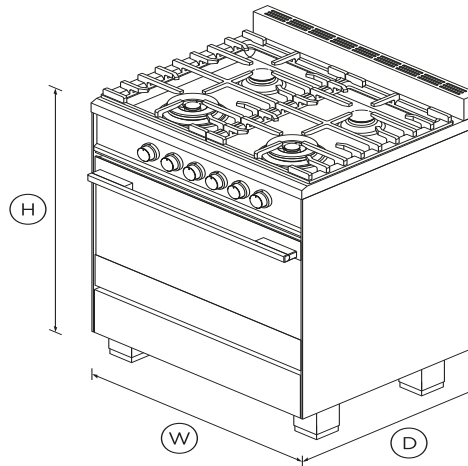


Add contemporary style to your kitchen, and enjoy the instant response and precision of a gas-fueled oven and cooktop.

- Four burner gas cooktop, with two dual ring wok burners
- Gas oven with 3.5 cu ft total capacity
- Three oven functions: Bake, Convection Bake and Maxi Broil

DIMENSIONS

Height	35 3/4 - 37 5/8"
Width	29 7/8"
Depth	25 1/4"



FEATURES & BENEFITS

Design quality

This range has been carefully crafted in every detail from performance to durability using quality materials including the balanced soft-close door and rounded hob rail.

Large capacity oven

The generous 3.5 cu.ft total capacity oven gives you plenty of space to cook multiple dishes at once, with enough room to fit a 26 lb turkey.

Performance power

Precise cooktop controls let you sear or stir fry over instant, powerful heat. Use the high burner power or simmer a delicate sauce using the gentlest of heats.

Easy cleaning

With its durable surface, your cooktop simply needs a quick wipe after cooking to keep it looking good as new for years to come.

SPECIFICATIONS

Accessories

2-pc grill system (Broil pan and	•
Broil pan	•
Chromed shelf runners	1 set
Full Extension Telescopic	2 sets (part 578776)
Kick strip, stainless steel	Part 81660
Small pot support	1 (part 533981 cast)

Burner ratings

Dual wok burner inner/outer	1000 - 18000BTU
Dual wok burner inner/outer	1000 - 18000BTU
Maximum burner power	18000 BTU
Semi-rapid burner (LPG)	1500 - 7600BTU
Semi-rapid burner (natural)	1500 - 8000BTU
Total cooktop power	52000 BTU

Cleaning

Acid resistant graphite enamel	•
Removable oven door	•
Removable shelf runners	•

Controls

Laser etched graphics •

Gas Requirements

Supply Pressure (LPG) 11" W.C.P

Supply Pressure (natural gas) 4" W.C.P

Oven features

Auto re-ignition system •

Concealed element •

Convection •

Electronic ignition •

Full extension telescopic •

Internal light 2 x 25W halogen (rear)

Soft open/close door •

Storage drawer •

Oven functions

Convection bake •

Number of functions 3

Oven performance

CoolTouch door Triple glazed

Power requirements

Amperage 1A

Supply frequency 60Hz

Product dimensions

Depth 25 1/4"

Height 35 3/4 - 37 5/8"

Width 29 7/8"

Rangetop features

LPG/Natural gas compatible •

Sealed range top •

Rangetop Performance

Number of cooking zones 4

Safety

ADA compliant •

Advanced cooling system •

Anti-tilt bracket •

Balanced oven door •

CoolTouch door •

Full extension telescopic •

Non-tip shelves •

Spill containment 12 BTU

SKU 81711

The product dimensions and specifications in this page apply to the specific product and model. Under our policy of continuous improvement, these dimensions and specifications may change at any time. You should therefore check with Fisher & Paykel's Customer Care Centre to ensure this page correctly describes the model currently available. ? Fisher & Paykel Appliances Ltd 2020

Other product downloads available at fisherpaykel.com

User Guide



Installation Guide



Data Sheet Gas Range

**A PEACE OF MIND SALE****24 Hours 7 Days a Week Customer Support****T 1.888.936.7872 W www.fisherpaykel.com**