

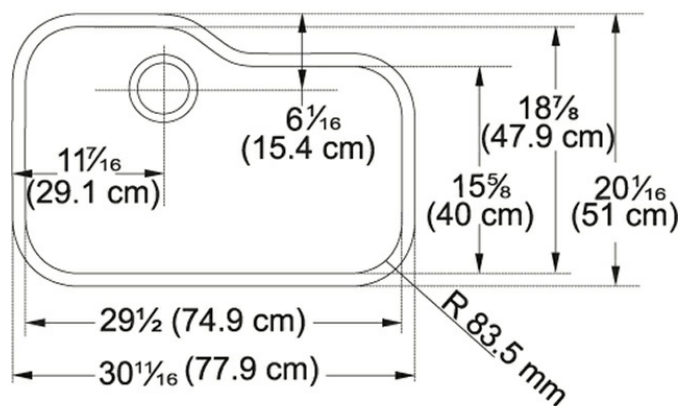
Orca 2 Stainless Steel

The great stainless sink. Large and deep with a new sophistication, Orca features size and workability with a softer aesthetic. Rimmed with the unique Franke integral ledge and finished with the sparkle of fine workmanship and the highest quality stainless steel.

Product Picture



Technical Drawing



Product Dimensions

Length overall	$30\frac{11}{16}$ "
Width overall	$20\frac{1}{16}$ "
Length of large bowl	$29\frac{1}{2}$ "
Width of large bowl	$18\frac{7}{8}$ "
Depth of large bowl	$9\frac{1}{16}$ "
Minimum Cabinet Size	36"

General Information

Type of Material	Stainless Steel
Cut-Out Template	Yes

Article Numbers

FUN#	122.0561.175
US Part Number	OR2X110

