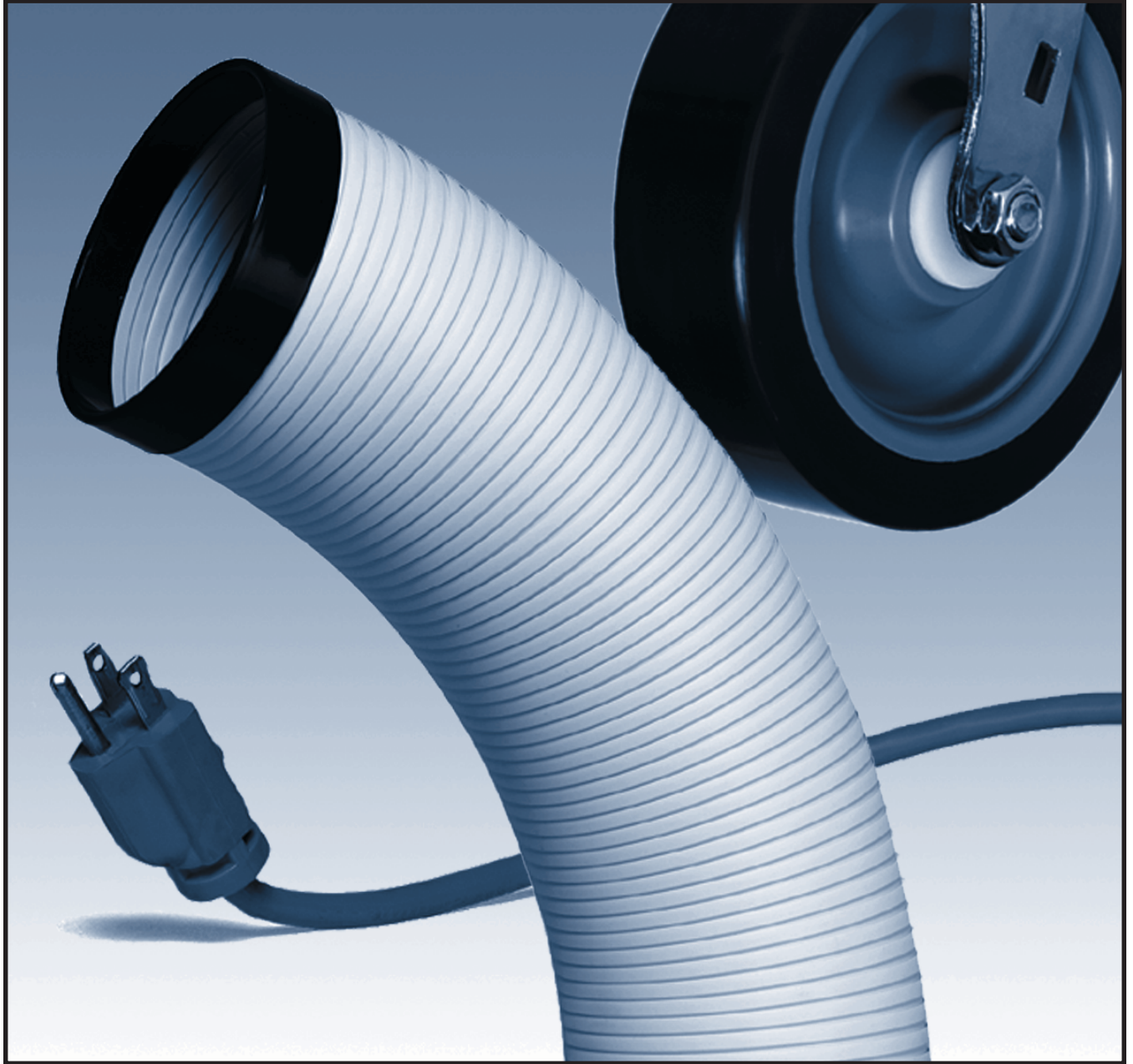


SPARE PARTS **CATALOG**

OFFICE PRO 60



DENSO SALES CALIFORNIA, INC.
REGISTERED TO ISO 9002
FILE NO. A5537

MOVINCOOL[®]
THE PORTABLE SPOT COOLING SOLUTION

© 2004 DENSO SALES CALIFORNIA, INC.

All rights reserved. This book may not be reproduced or copied, in whole or in part, without the written permission of the publisher. DENSO SALES CALIFORNIA, INC. reserves the right to make changes without prior notice. MovinCool is a registered trademark of DENSO Corporation.

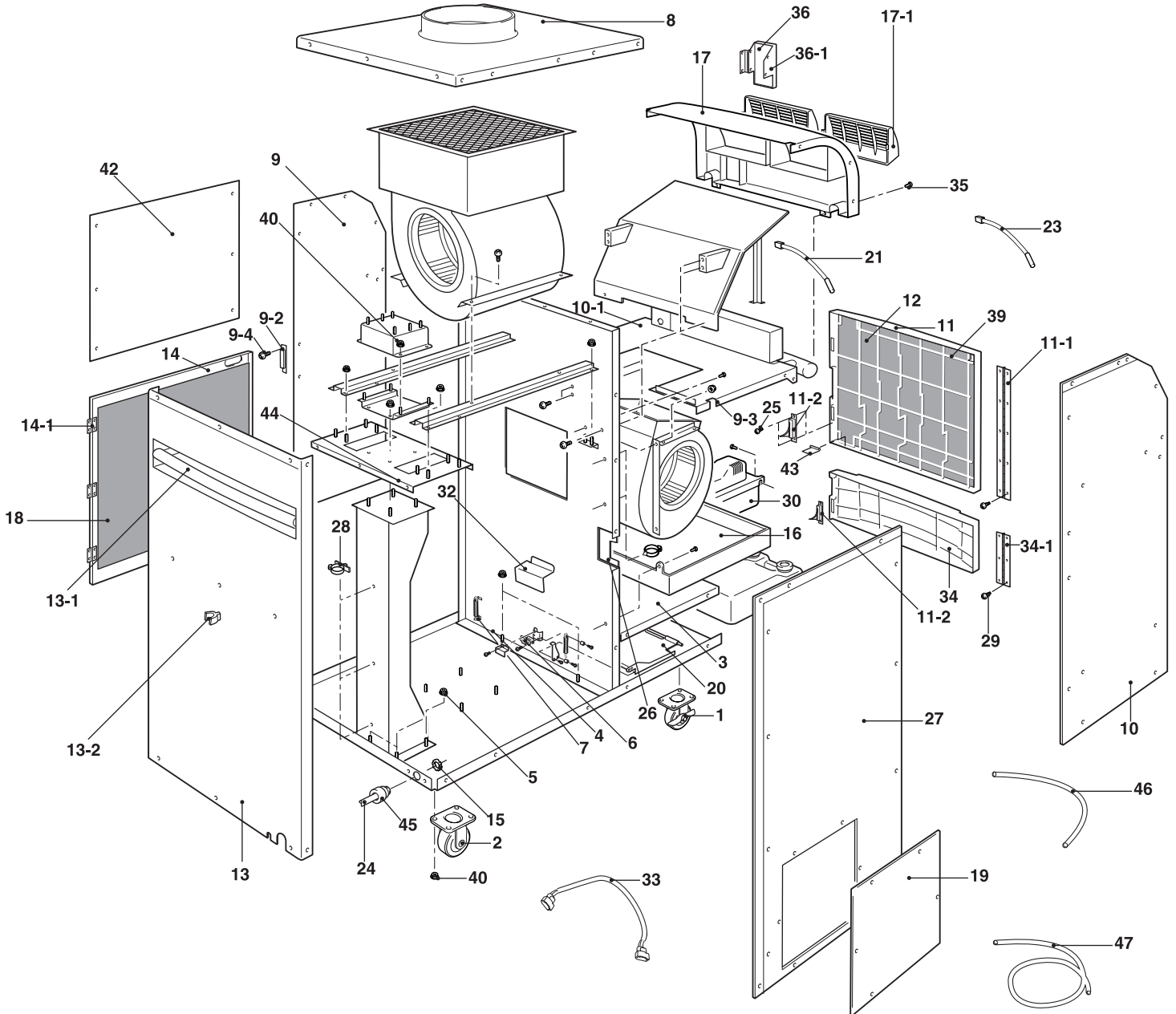
MOVINCOOL®

OFFICE PRO 60



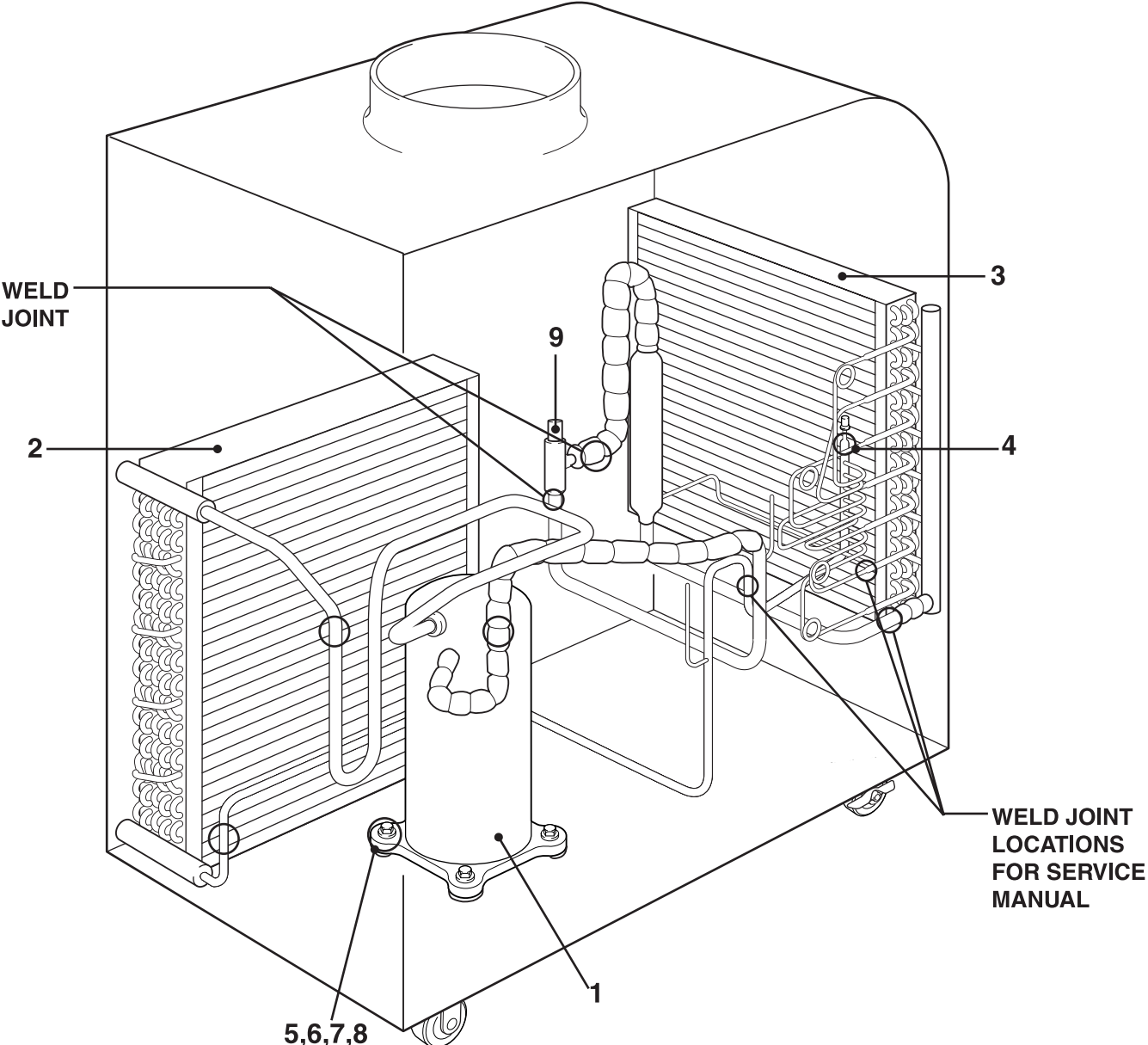
This spare parts catalog consists of simple illustrations with part numbers called out for all available parts to this product. Some part numbers described are available by assembly only.

OFFICE PRO 60



ILL. NO.	DESCRIPTION	PART NO.	QTY.	REMARKS
•	Unit Assy	Office Pro 60		
1	Caster w/Brake	LA484702-0280	2	
2	Caster	LA484702-0270	2	
3	Frame Sub-Assy	LA484300-166A	1	
4	Grommet	484926-0130	1	
5	Nut	949056-1430	4	
6	Switch Assy, Drain Tank	LA484502-0380	1	
7	Spring, Tension Coil	484917-0280	2	
8	Panel, Top	LA484410-6010	1	w/7 Screws
9	Panel, Right	LA484410-5960	1	w/14 Screws
9-2	Magnet Holder	LA484927-0990	2	
9-3	Grommet	484926-0290	2	
9-4	Screws	949006-4440	4	
10	Panel, Left Side Front	LA484410-5970	1	w/12 Screws
10-1	Grommet, Thermistor	949320-5270	1	
11	Panel Assy, Front Filter (Evap.)	LA484410-6040	1	w/Packing, Pins, Hinge & Filter
11-1	Hinge, Evaporator Panel	LA484912-0061	1	
11-2	Door Holder (Male)	LA484927-1010	4	w/2 Screws each
12	Filter (Evap.)	LA484401-1310	1	
13	Panel, Rear	LA484470-2880	1	w/9 Screws
13-1	Handle	LA484451-0080	1	w/2 Bolts
13-2	Power Cord Clip	LA484917-042A	2	
14	Panel Assy, Side Filter (Cond.)	LA484410-6030	1	w/Velcro and Filter
14-1	Hinge, Condenser Panel	LA484912-0050	3	
15	Retainer, Power Cord	LA484919-0090	1	
16	Drain Pan Assy.	LA484430-0410	1	
17	Panel, Front Top	LA484410-6020	1	w/12 Screws
17-1	Air Louver, Outlet	LA480431-0100	2	
18	Filter (Condenser)	LA484401-1290	1	
19	Panel, Service	LA484410-6060	1	w/4 Screws
20	Pivot Panel	LA484430-0410	1	
21	Thermistor, Room Temp.	LAY84532-0020	1	
23	Thermistor, Anti-Freeze Up	LA484532-0040	1	
24	Power Cord Assy	LA484930-634B	1	~12.01
		LA484930-634C	1	01.02~
25	Screw, Tapping	949001-1730	1	
26	Grommet, Pipe	484926-0610	1	
27	Panel, Left Side Rear	LA484410-6000	1	w/11 Screws
28	Clip	LAY84917-0010	3	
29	Screw	91060-04081	4	
30	Condensate Pump	LA484780-009A	1	w/2 Screws
32	Cover, Drain Switch	LAY84390-0010	1	w/Packing
33	Wire Harness	LA484930-628A	1	(RB)↔(CB)
34	Condensate Pump Access Door	LA484410-6050	1	
34-1	Hinge	LA484912-0070	2	
35	Screw	949006-5850	8	
36	Controller Assy	LA484500-2270	1	(CB)
36-1	Mounting Plate, Control Board	LA484500-2310	1	CB w/Overlay & Name Plate
39	Frame, Evaporator Filter	LA484310-3430	1	Evaporator
40	Nut, Hex	LA480929-0140	16	w/Washers
42	Panel Assy, Right Top Rear	LA484410-5991	1	w/6 Screws
43	Clip	LAY84917-0050	1	
44	Grommet	484926-0500	1	Condenser Wire Harness
45	Connector	LA484784-002A	1	Power Cord
46	Drain Hose	LAY84433-0010	1	w/Clip
47	Hose, Drain - Pump	LA484432-0190	1	Beckett

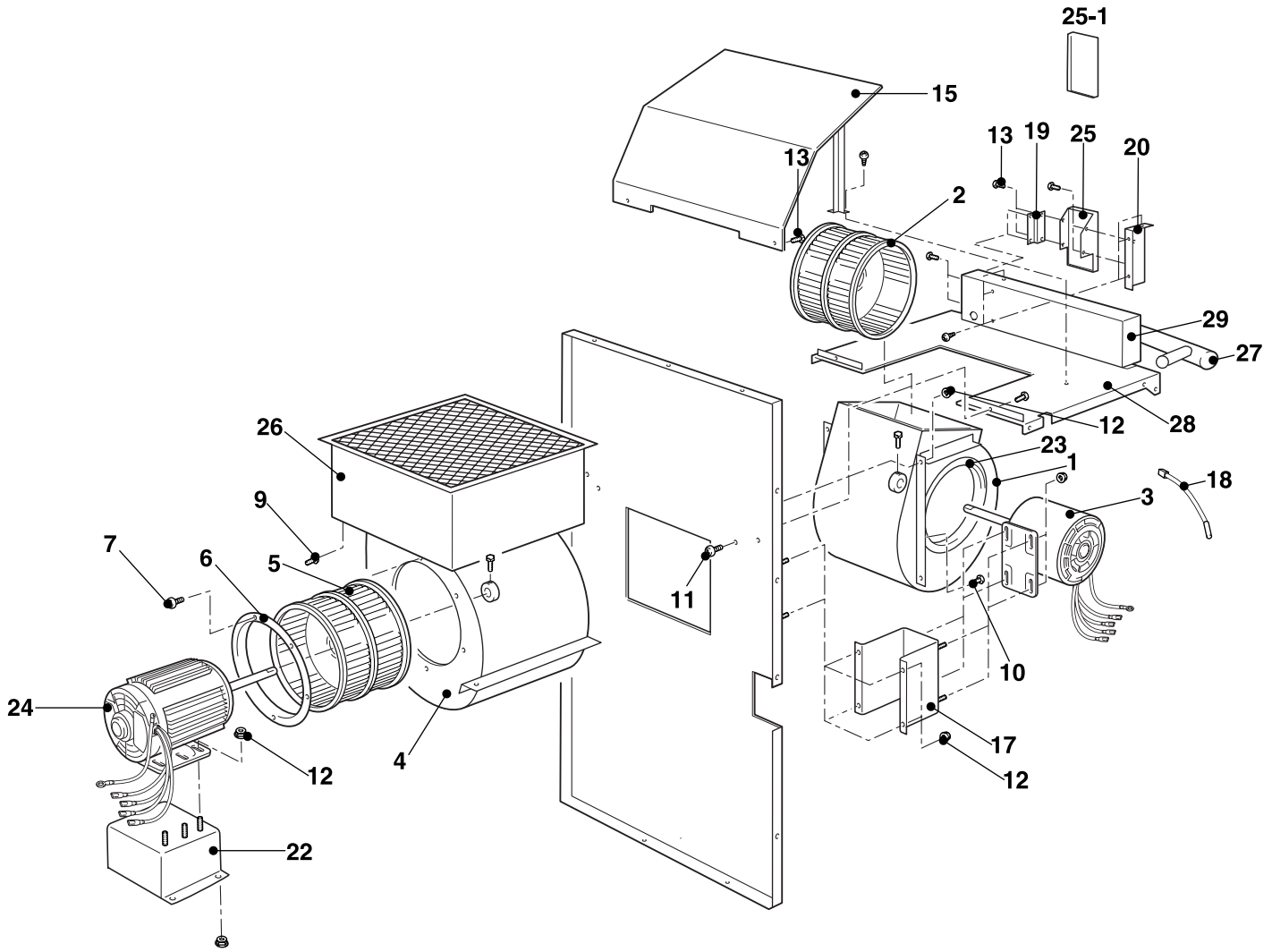
OFFICE PRO 60



OFFICE PRO 60

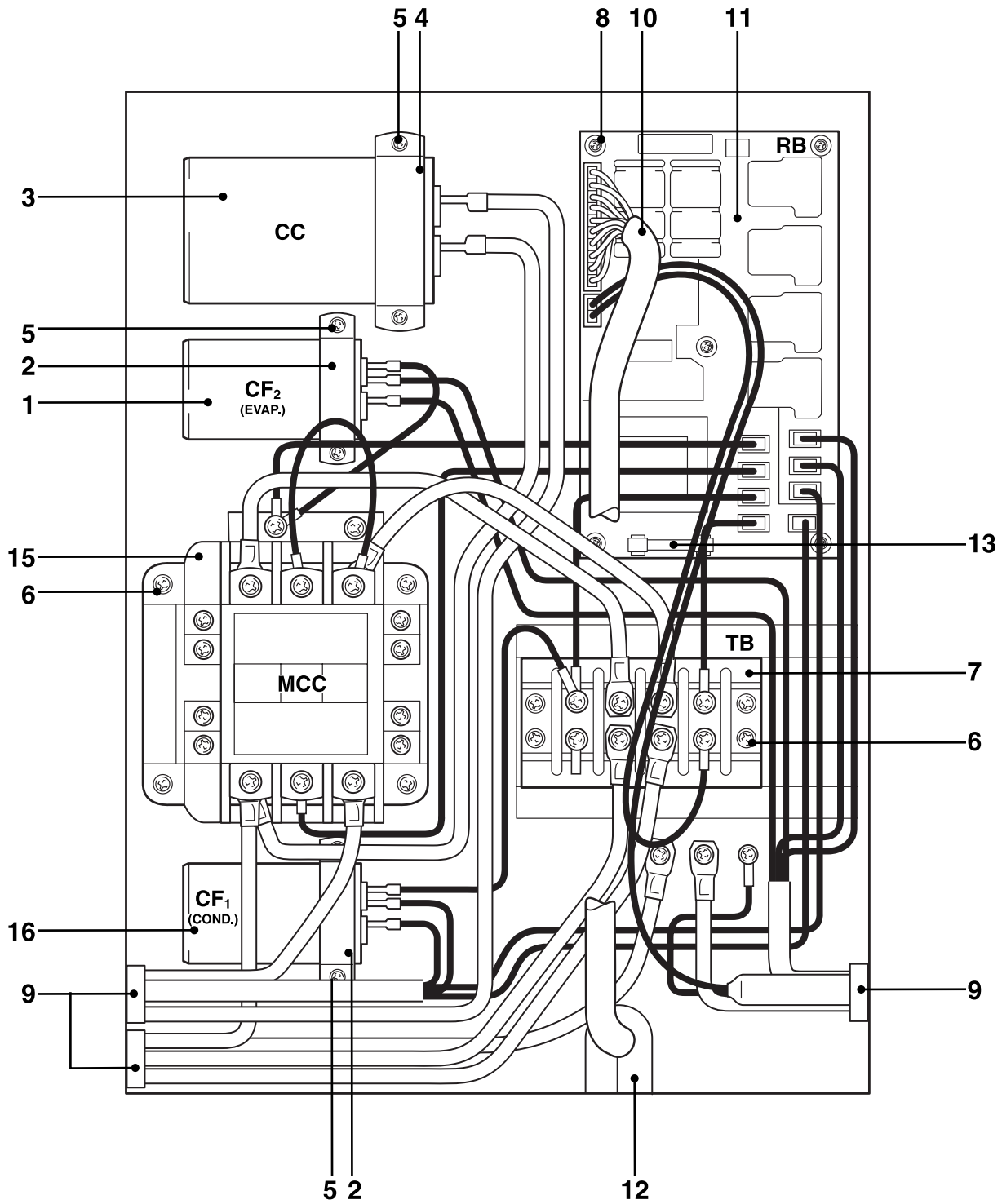
ILL. NO.	DESCRIPTION	PART NO.	QTY.	REMARKS
1	Compressor Assy	LA484650-1651	1	
2	Core Assy, Condenser	LA484600-1561	1	w/Pipes
3	Core Assy, Evaporator	LA484600-1570	1	w/Capillary Tube & Pressure Switch
4	Switch Assy, Pressure	LA484660-0420	1	w/Tube
5	Cushion	LA484904-0220	4	
6	Collar	LA484915-0280	4	
7	Washer, Steel Plate	949011-5330	4	
8	Nut, Hexagon	90190-08651	4	
9	Pressure Regulator	LA484782-0140	1	SPR

OFFICE PRO 60



ILL. NO.	DESCRIPTION	PART NO.	QTY.	REMARKS
1	Casing, Evaporator Fan	LA484260-0340	1	
2	Fan, Evaporator	LA484221-0440	1	w/Bolt
3	Fan Motor (Evaporator)	LA484211-149A	1	
4	Casing Assy, Condenser Fan	LA484260-0360	1	
5	Fan, Condenser	LA484221-0450	1	w/Bolt
6	Ring, Condenser	LA484381-0540	2	
7	Screw, Tapping	949001-1570	12	
9	Screw	91370-06161	4	
10	Screw, Tapping	949001-1570	12	
11	Screw w/Washer	91370-06141	2	
12	Nut	949056-1430	14	
13	Screw	949006-5850	1	
15	Deflector, Air	LA484310-3450	1	
17	Evaporator Motor Stay	LA484330-0530	1	
18	Thermistor Anti-freeze	LA484532-0040	1	
19	Stay, Control Panel Right	LA484331-7450	1	
20	Stay, Control Panel Left	LA484331-7440	1	Stay Front
22	Condenser - Motor Stay Assy	LA484330-0550	1	Assembly w/6 Bolts
23	Ring, Evaporator	LA484381-0530	2	
24	Motor, Condenser	LA484211-150A	1	
25	Mounting Plate w/Controller	LA484500-2310	1	CB w/Overlay & Nameplate
25-1	Controller Assembly	LA484500-2270	1	CB
26	Box Assembly, Condenser	LA484520-0840	1	
27	Handle	LA484451-0080	1	w/2 Bolts
28	Frame	LA484301-3220	1	
29	Box	LA484520-0820	1	

OFFICE PRO 60



ILL. NO.	DESCRIPTION	PART NO.	QTY.	REMARKS
1	Capacitor, Fan Evaporator	LA484507-1210	1	CF 15 μ F 440V
2	Holder	LA484927-0880	2	
3	Capacitor, Compressor	LA484507-1170	1	CC 70 μ F 370V
4	Holder	LA484927-1020	1	
5	Screw	949006-3250	6	
6	Screw	949006-3280	8	w/Washer Plate
7	Terminal Block	LA484503-0551	1	(TB)
8	Screw	91370-03081	5	w/Washer
9	Grommet	LA484926-0600	3	
10	Wire Assy	LA484930-628A	1	(CB) \leftrightarrow (RB)
11	Relay Board Assy	LA484500-2290	1	(RB) 230V
12	Grommet	484926-0290	1	
13	Fuse, Relay Board	LAY65765-0010	1	2/10 amps 250 volts
15	Relay, Compressor	LA484531-0560	1	
16	Capacitor, Fan Condenser	LA484507-1180	1	

NOTES

DENSO

DENSO SALES CALIFORNIA, INC.

TECHNICAL SERVICE DEPARTMENT

Second Issue: February 2004

DSCA P/N: LA990009-1427

Printed in U.S.A.

(800) 264-9573

www.movincool.com

DSCA P/N: LA990009-1427