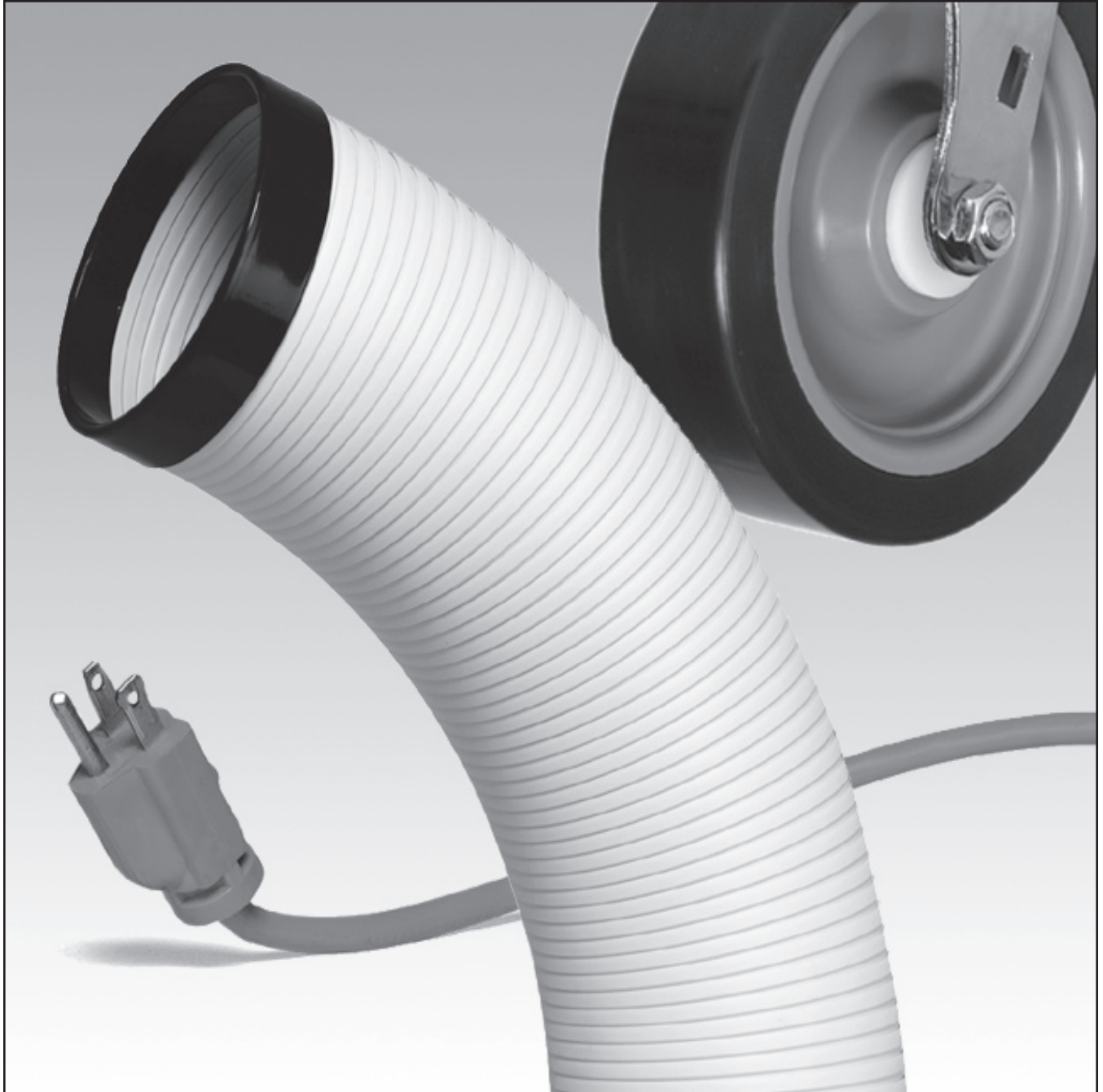


# SPARE PARTS **CATALOG**

## **OFFICE PRO 36**



**MOVINCOOL**<sup>®</sup>  
THE PORTABLE SPOT COOLING SOLUTION

© 2005 DENSO SALES CALIFORNIA, INC.

All rights reserved. This book may not be reproduced or copied, in whole or in part, without the written permission of the publisher. DENSO SALES CALIFORNIA, INC. reserves the right to make changes without prior notice. MovinCool is a registered trademark of DENSO Corporation.

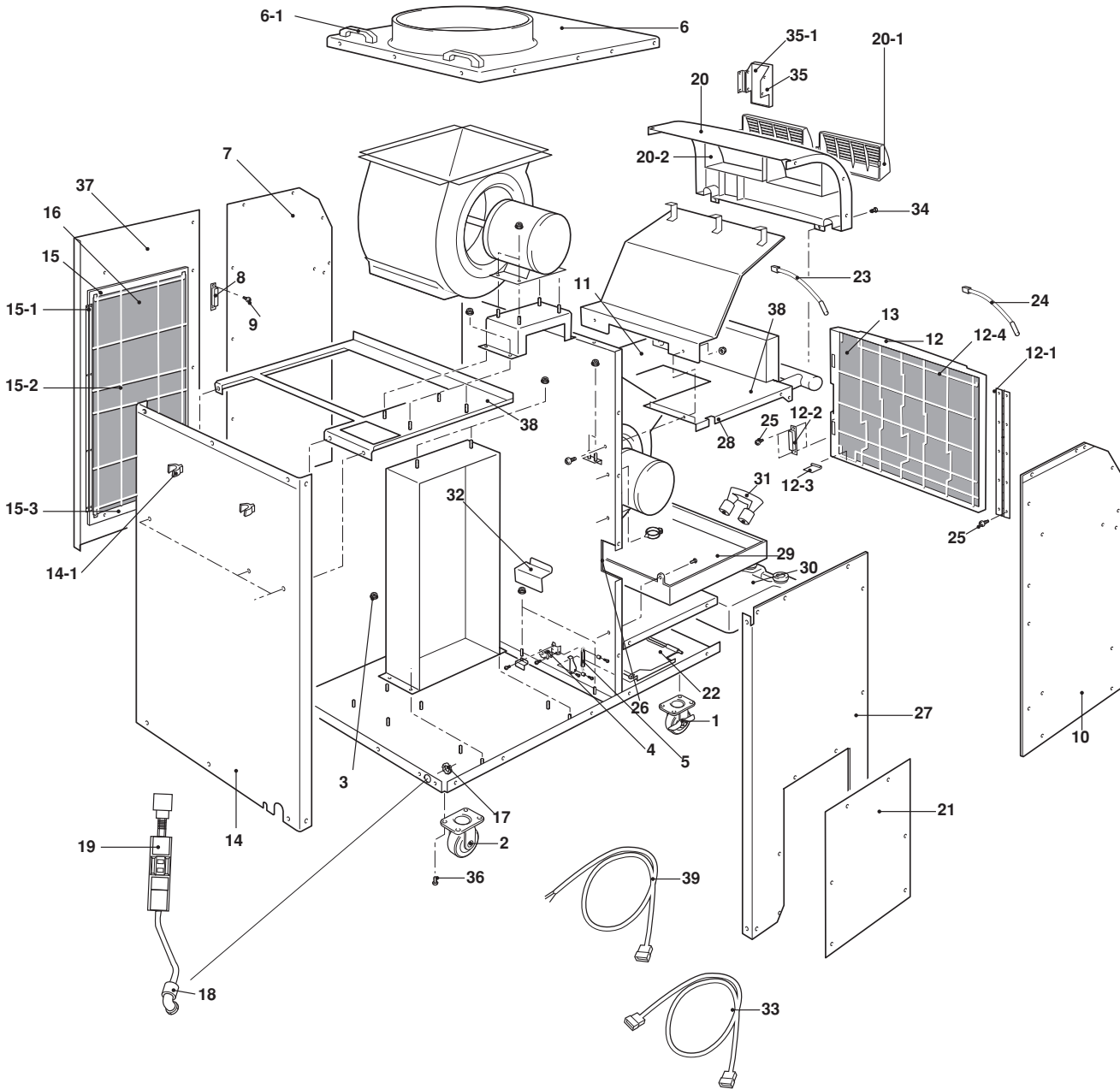
MOVINCOOL®

# OFFICE PRO 36



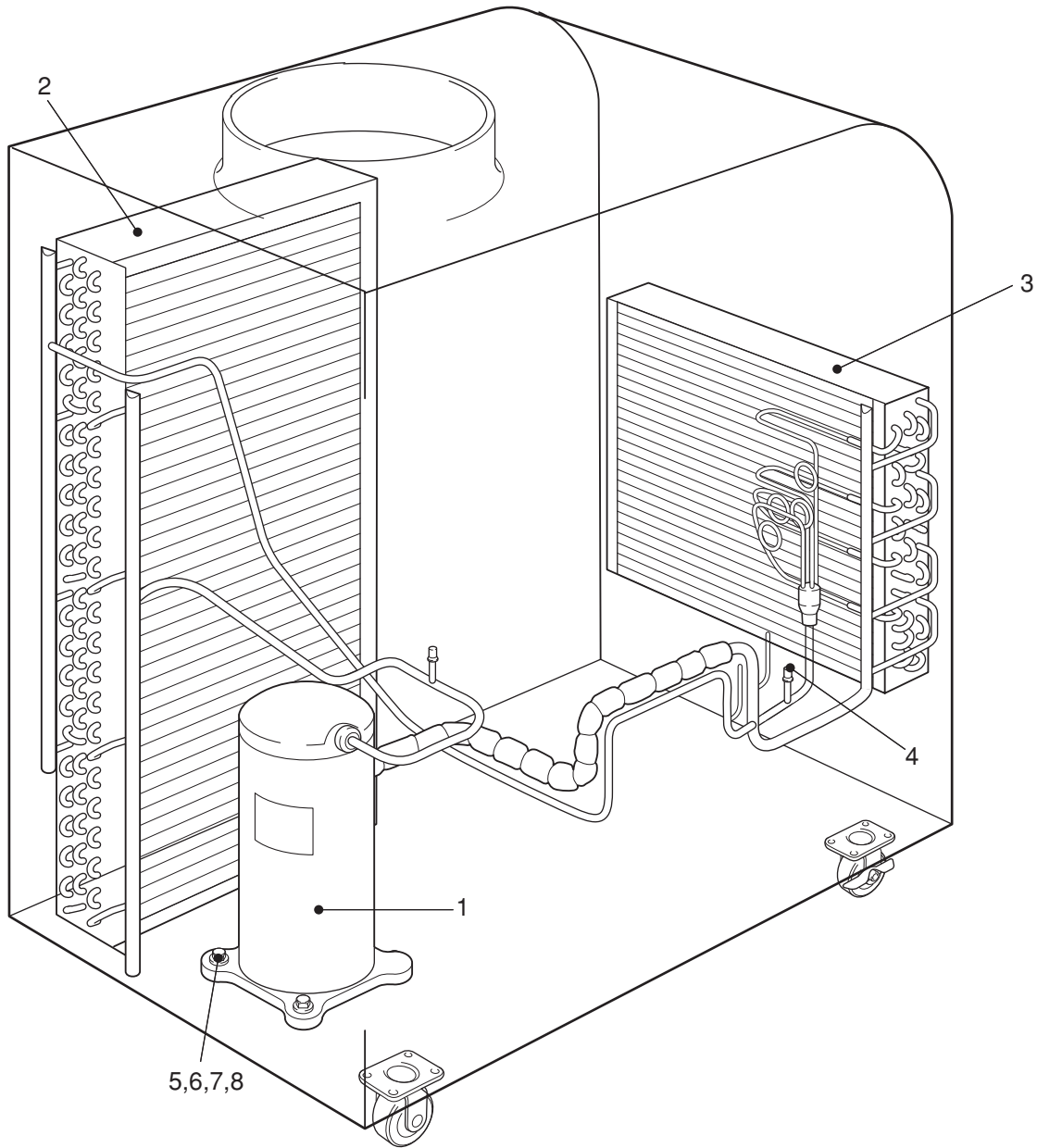
This spare parts catalog consists of simple illustrations with part numbers called out for all available parts to this product. Some part numbers described are available by assembly only.

# OFFICE PRO 36



ILL. NO.	DESCRIPTION	PART NO.	QTY.	REMARKS
•	Unit Assy	Office Pro 36		
1	Caster w/ Brake	LA484702-0350	2	
2	Caster	LA484702-0360	2	
3	Nut	949056-1430	12	
4	Switch Assy, Drain Tank	LA484502-0380	1	
5	Spring, Tension Coil	484917-0280	2	
6	Panel, Top	LA484410-7560	1	w/ handles
6-1	Handle, Rear	LA484451-0100	2	w/ 2 Bolts
7	Panel, Right	LA484410-7520	1	w/ 12 Screws
8	Magnet Holder	LA481922-0030	2	
9	Screws	949006-4440	4	
10	Panel, Left Side Front	LA484410-7530	1	w/ 12 Screws
11	Grommet, Thermistor	949320-5270	2	
12	Panel Assy (Evaporator)	LA484410-7600	1	w/ Packing, Pins, Hinge & Filter
12-1	Hinge, Evaporator Panel	LA484912-0091	1	
12-2	Door Holder	LA484927-1010	2	w/ 2 Screws each
12-3	Clip	LAY84917-0050	1	
12-4	Frame, Evaporator Filter	LA484310-4820	1	Evaporator
13	Filter (Evaporator)	LA484401-1640	1	
14	Panel, Rear	LA484410-7570	1	w/ 9 Screws
14-1	Power Cord Clip	LA484917-0470	2	
15	Panel Assy, Cond. Door	LA484410-7590	1	
15-1	Hinge, Condenser Panel	LA484912-0061	2	
15-2	Frame, Condenser Filter	LA484301-4430	1	
15-3	Ring, Plate	LA481641-0050	4	
16	Filter (Condenser)	LA484401-1630	1	
17	Retainer, Power Cord	LA484919-0100	1	
18	Connector	LA484784-0040	1	Power Cord Strain Relief
19	Power Cord Assy	LA484930-8560	1	
20	Fascia	LA484410-6021	1	w/ 12 Screws
20-1	Air Louver, Outlet	LA480431-0101	2	
20-2	Pin	LA484913-0070	6	
21	Panel, Service	LA484410-7580	1	w/ 4 Screws
22	Pivot Panel	LA484300-1650	1	For Drain Tank
23	Thermistor, Room Temp.	LAY84532-0020	1	
24	Thermistor, Anti-Freeze Up	LA484532-0040	1	
25	Screw, Tapping	LA949001-1730	10	
26	Grommet, Pipe	484926-0610	1	
27	Panel, Left Side Rear	LA484410-7550	1	w/ 11 Screws
28	Grommet	484926-0290	2	
29	Drain Pan Assy.	LA484430-0570	1	
30	Tank, Drain	484730-0010	2	
31	Condensate Float	484460-0010	1	Diverts Water to Both Tanks
32	Cover, Drain Switch	LAY84390-0010	1	
33	Wire Harness	LA484930-8270	1	(RB) ↔ (CB)
34	Screw	949006-5850	34	
35	Controller Assy	LA484560-1651	1	Controller w/ Plate, Overlay & Board
35-1	Control Board	LA484500-2951	1	Board only
36	Nut, Hex	LA480929-0140	16	W/Washers
37	Panel Assy, Right Rear	LA484410-7540	1	W/6 Screws
38	Grommet	484926-0500	3	Condenser Wire Harness
39	Harness, Condensate Pump Adapter	LA484930-8321	1	For Plug & Play Pump

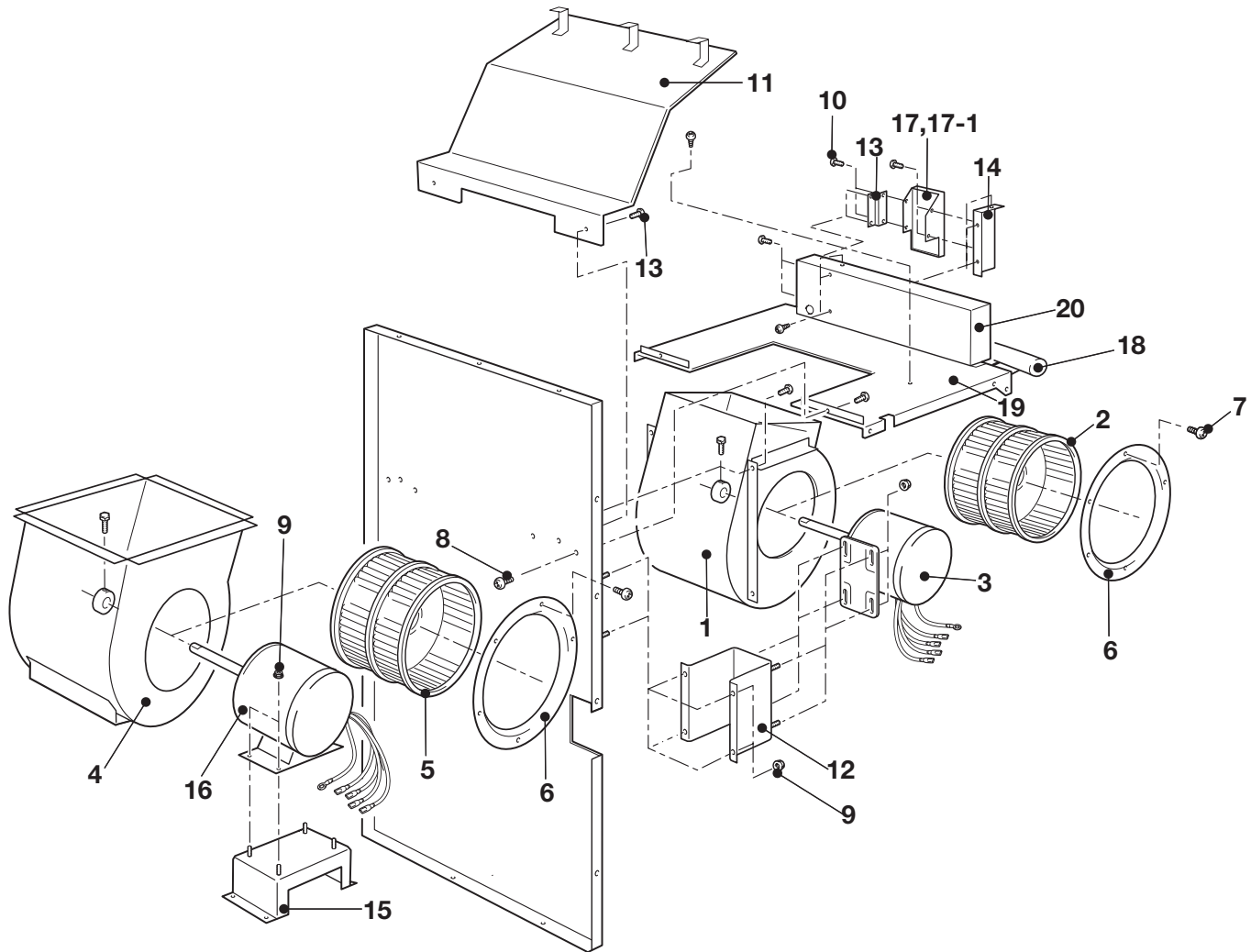
# OFFICE PRO 36



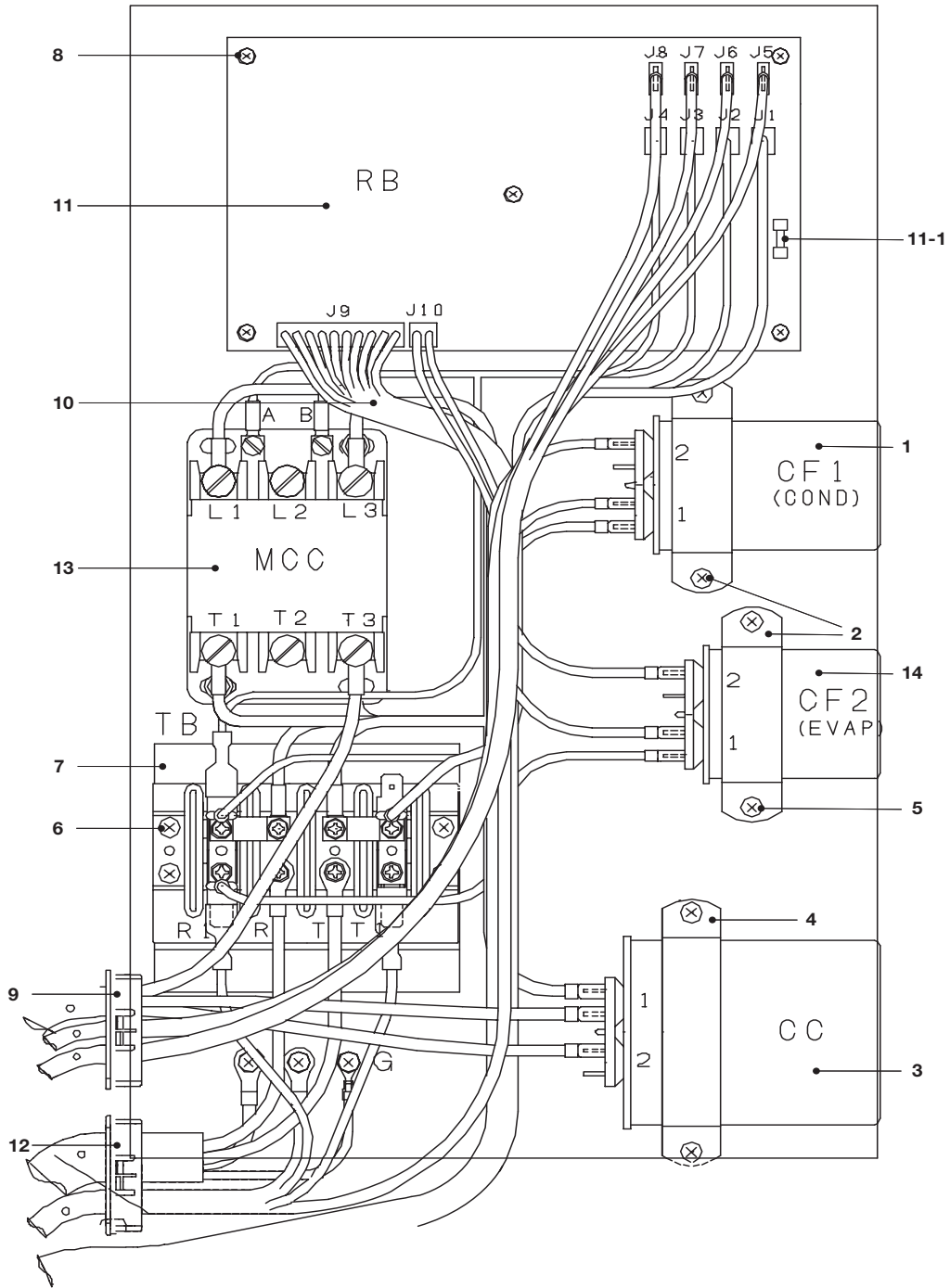
# OFFICE PRO 36

ILL. NO.	DESCRIPTION	PART NO.	QTY.	REMARKS
1	Compressor Assy	LA484650-2180	1	
2	Core Assy, Condenser	LA484600-1970	1	w/ Pipes
3	Core Assy, Evaporator	LA484600-1980	1	w/ Capillary Tube & Pressure Switch
4	Switch Assy, Pressure	LA484660-0420	1	w/ Tube
5	Cushion	LA484904-0220	4	
6	Collar	LA484915-0280	4	
7	Washer, Steel Plate	949011-5330	4	
8	Nut, Hexagon	90190-08651	4	

# OFFICE PRO 36



ILL. NO.	DESCRIPTION	PART NO.	QTY.	REMARKS
1	Casing, Evaporator Fan	LA480420-0080	1	
2	Fan, Evaporator	LA484221-0490	1	w/ Bolt
3	Fan Motor (Evaporator)	LA484211-1651	1	
4	Casing Assy, Condenser Fan	LA484260-0440	1	
5	Fan, Condenser	LA484221-0480	1	w/ Bolt
6	Ring, Inlet	LA484381-0640	4	
7	Screw, Tapping	949001-1570	12	
8	Screw w/Washer	91370-06121	2	
9	Nut	949056-1430	12	
10	Screw	949006-5850	34	
11	Deflector, Air	LA484301-4420	1	
12	Evaporator Motor Stay	LA484330-053A	1	
13	Stay, Control Panel Right	LA484331-7450	1	
14	Stay, Control Panel Left	LA484331-7440	1	Stay Front
15	Condenser – Motor Stay Assy	LA484340-2960	1	Assembly w/ 6 Bolts
16	Motor, Condenser	LA484211-1641	1	
17	Controller Assy	LA484560-1651	1	Controller w/ Plate, Overlay & Board
17-1	Control Board	LA484500-2951	1	Board only
18	Handle, Front	LA484451-0080	1	w/ 2 Bolts
19	Frame	LA484310-4800	1	
20	Box	LA484520-0820	1	



ILL. NO.	DESCRIPTION	PART NO.	QTY.	REMARKS
1	Capacitor, Fan Condenser	LA484507-1210	1	CF1 15 $\mu$ F, 440VAC
2	Holder	LA484927-0880	2	
3	Capacitor, Compressor	LA484507-0960	1	CC 50 $\mu$ F, 440VAC
4	Holder	LA484927-1020	1	
5	Screw	949006-3250	6	
6	Screw	949006-3280	6	w/ Washer Plate
7	Terminal Block	LA484503-0551	1	(TB)
8	Screw	91370-03081	5	w/ Washer
9	Grommet	LA484926-0600	2	
10	Wire Assy	LA484930-8270	1	(CB) $\leftrightarrow$ RB)
11	Relay Board Assy	LA484500-2290	1	(RB) 230V
11-1	Fuse, Relay Board	LAY65765-0010	1	2/ 10 Amps 250 Volts
12	Grommet	484926-0290	3	
13	Relay, Compressor	LA484531-0680	1	
14	Capacitor, Fan Evaporator	LA484507-1450	1	CF2 5 $\mu$ F, 440V

# NOTES



Printed in U.S.A.

**(800) 264-9573**  
**[www.movincool.com](http://www.movincool.com)**