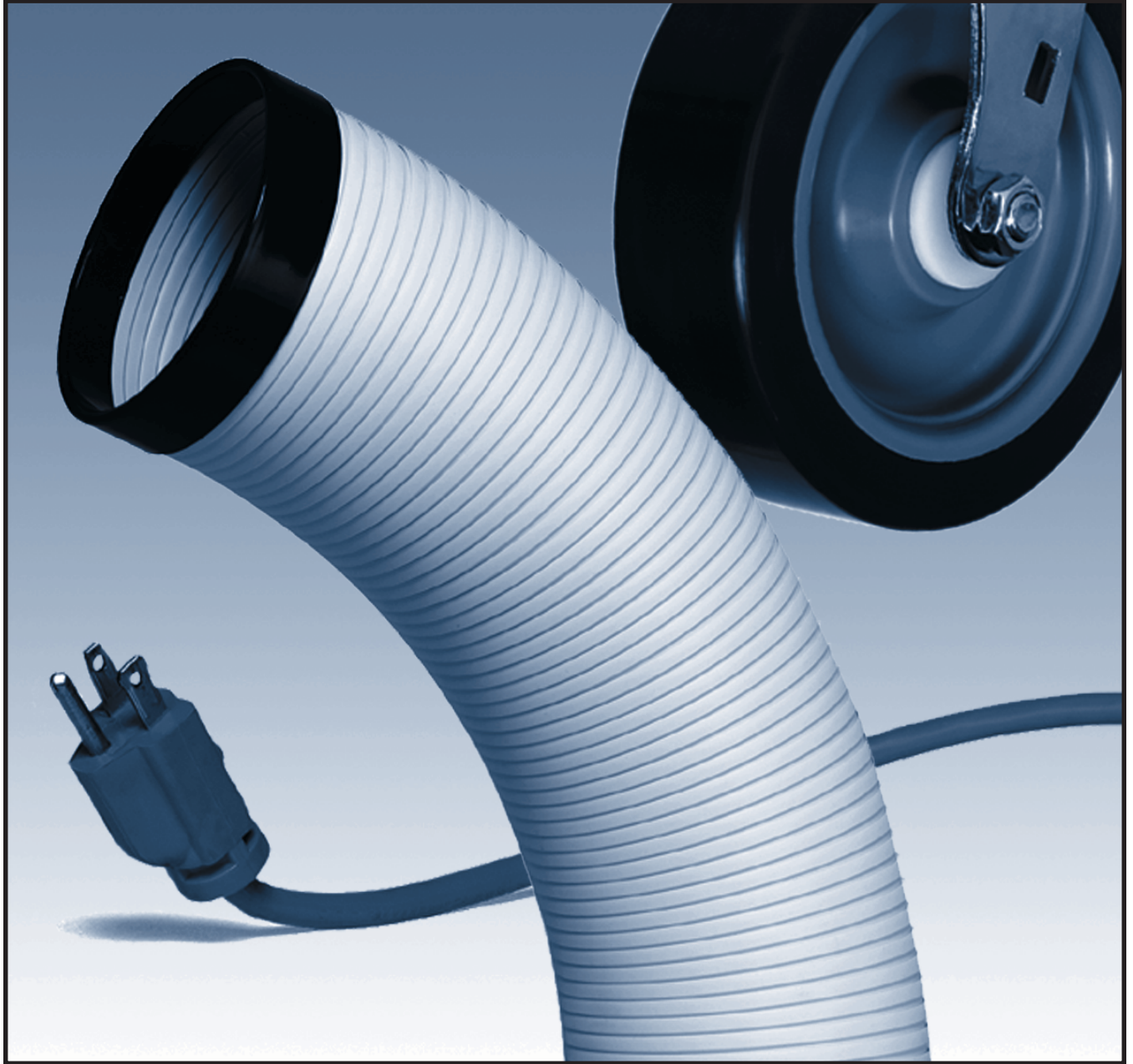


# SPARE PARTS **CATALOG**

## OFFICE PRO 18



**MOVINCOOL**<sup>®</sup>  
THE PORTABLE SPOT COOLING SOLUTION

© 2003 DENSO SALES CALIFORNIA, INC.

All rights reserved. This book may not be reproduced or copied, in whole or in part, without the written permission of the publisher. DENSO SALES CALIFORNIA, INC. reserves the right to make changes without prior notice.

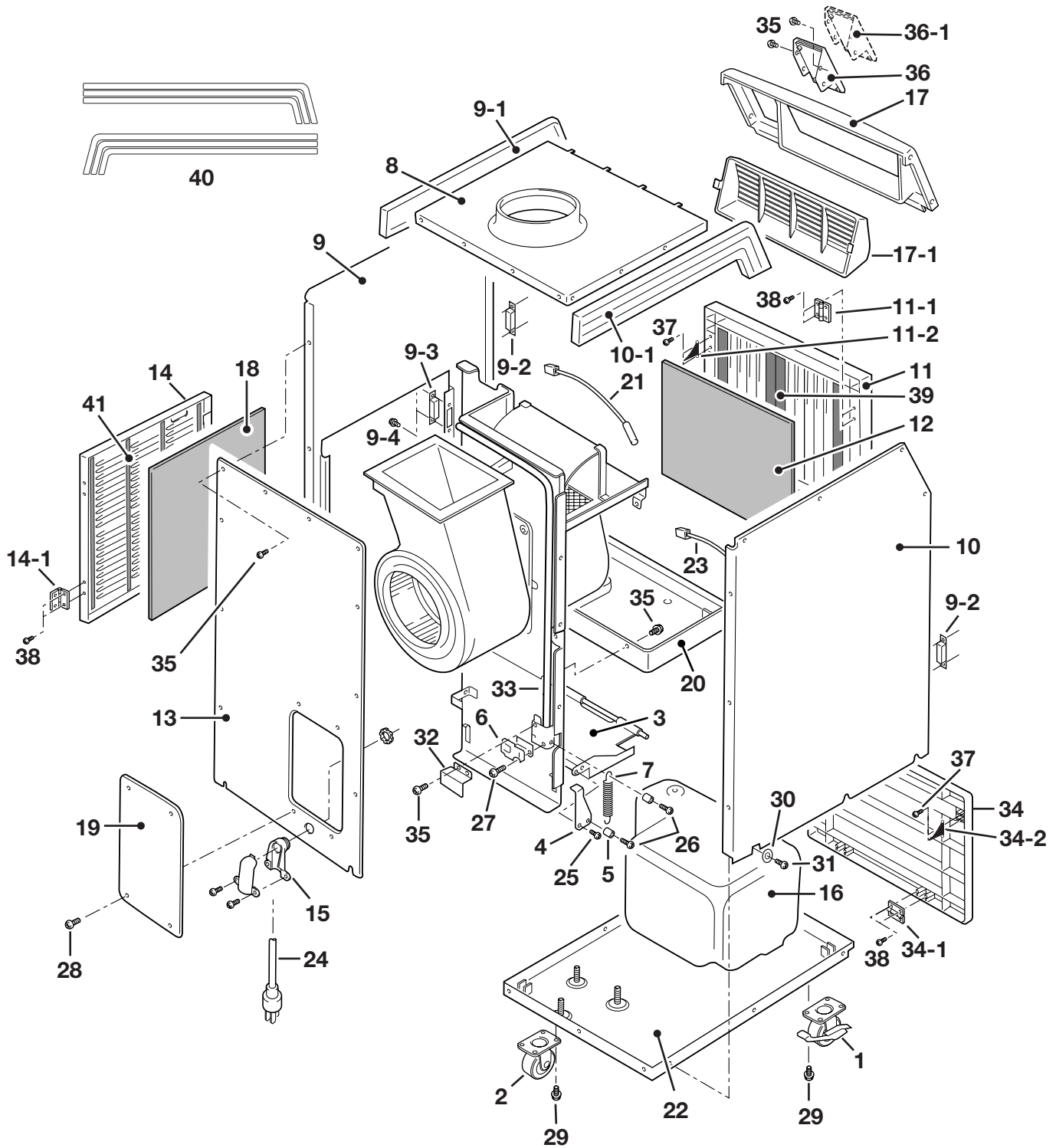
MOVIN**COOL**®

# OFFICE PRO 18



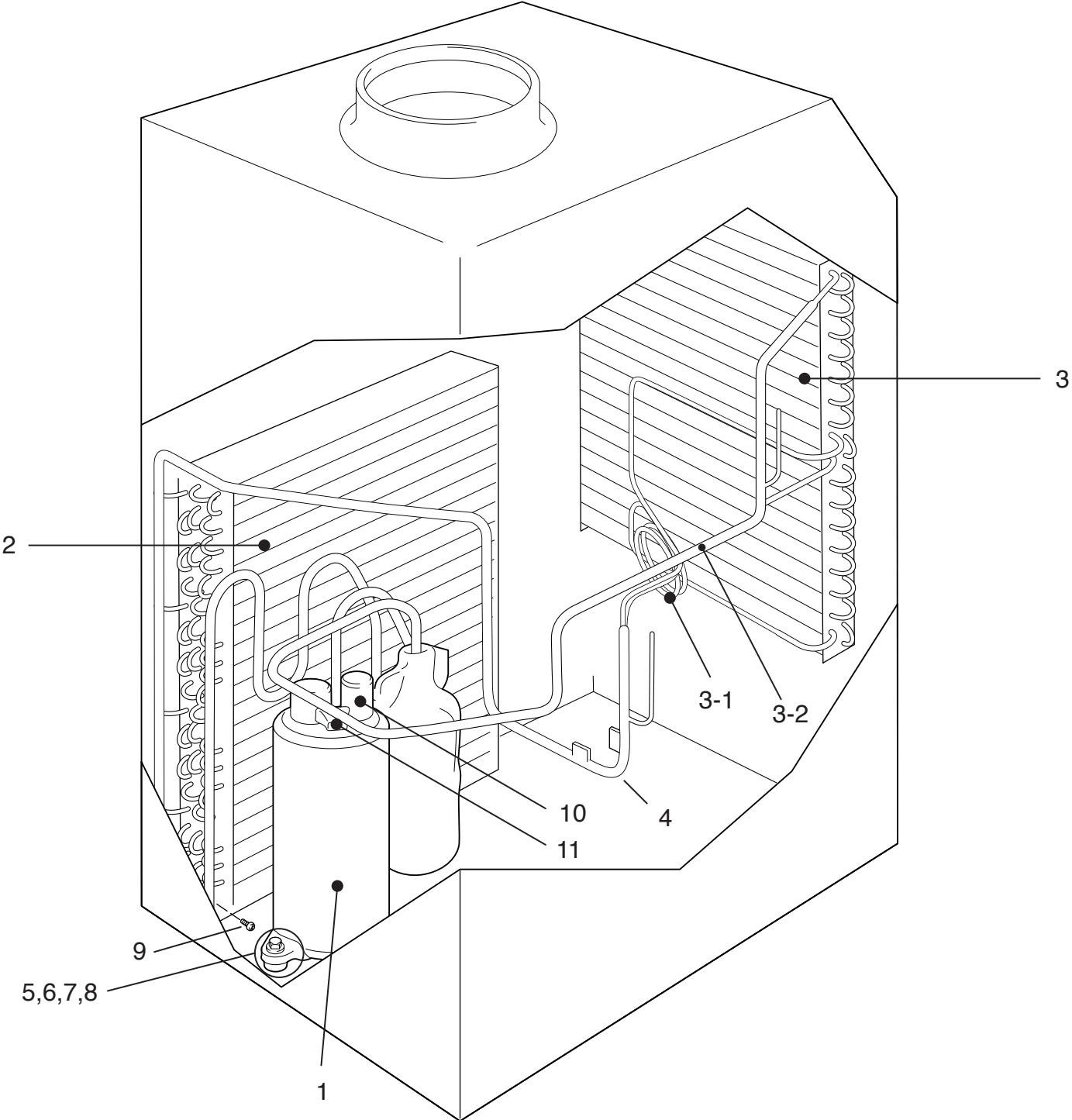
This spare parts catalog consists of simple illustrations with part numbers called out for all available parts to this product. Some part numbers described are available by assembly only.

# OFFICE PRO 18



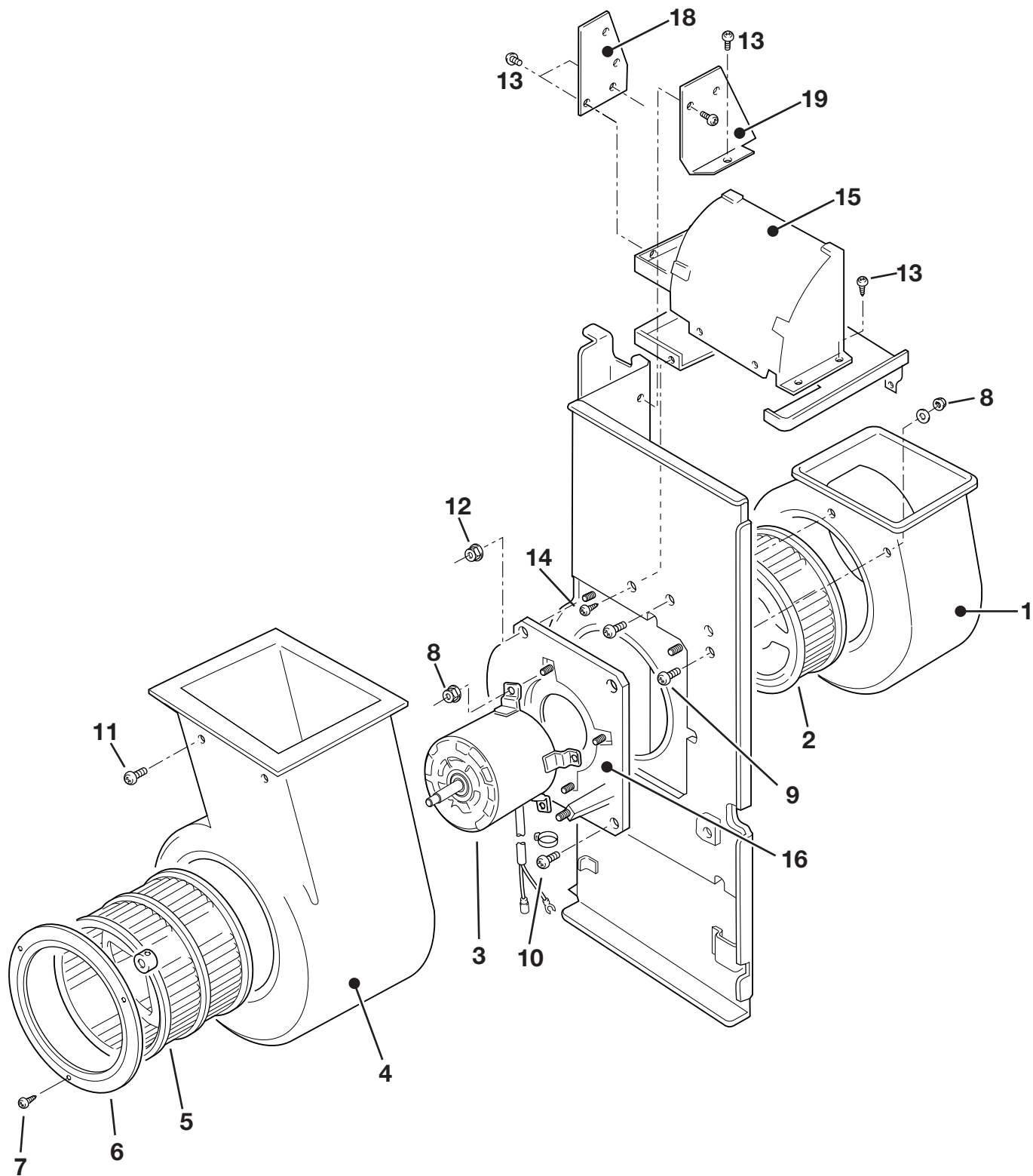
ILL. NO.	DESCRIPTION	PART NO.	QTY.	REMARKS
•	Unit Assy	Office Pro 18		
1	Caster w/Brake	LA484702-017B	2	
2	Caster	LA484702-018B	2	
3	Frame Sub-Assy (Drain Tank)	LA484310-3600	1	
4	Bracket	LA484321-0510	1	
5	Socket	480837-0030	4	
6	Switch Assy, Drain Tank	LA484502-0380	1	
7	Spring, Tension Coil	949171-2090	2	
8	Panel, Top Rear	LA484410-5020	1	
9	Panel, Right	LA484410-6520	1	w/right handle and catch (2)
9-1	Right Handle	LA484450-0050	1	
9-2	Catch	LA481922-0030	4	
9-3	Holder (Magnet Type)	484927-0990	2	
9-4	Screws	949006-4440	4	
10	Panel, Left	LA484410-6730	1	w/ left handle and catch
10-1	Left Handle	LA484451-0060	1	
11	Panel Assy, Front Filter (Evap.)	LAY84410-002A	1	
11-1	Hinge	LA484912-0040	2	
11-2	Holder (Hook Type)	LA484927-1010	2	
12	Filter (Evap.)	484401-1220	1	
13	Panel, Rear	LA484410-6430	1	
14	Panel Assy, Side Filter (Cond.)	LA484410-5550	2	
14-1	Hinge	LA484912-0040	2	
15	Retainer, Power Cord	LA484506-0090	1	
16	Tank, Drain	484731-0021	1	
17	Panel Assy, Top Front	LA484410-5040	1	w/Packing and Pins
17-1	Air Louver, Outlet	LA480431-0090	1	
18	Filter (Condenser)	LA484401-1220	1	
19	Panel, Service	LA484410-6440	1	
20	Drain Pan Assy	LA484430-0120	1	
21	Thermistor, Room Temp	LAY84532-0020	1	Length 23in. (588mm)
22	Frame Sub-Assy (Base)	LA484310-297A	1	
23	Thermistor, Anti-Freeze Up	LAY84532-0010	1	Length 38in. (963mm)
24	Power Cord Assy	LA484930-6810	1	
25	Screw w/Washer	91370-04101	1	D4, I10
26	Screw	91060-04161	4	D4, I16
27	Screw w/Washer	91310-03161	2	D3, I16
28	Screw, Tapping	949007-6700	27	D4, I10
29	Bolt w/Washer	91510-08141	8	M8, I14
30	Washer, Plate	90201-06400	1	
31	Screw, Crossrecess Pan	90051-06120	1	
32	Cover, Drain Switch	LA484391-1860	1	
33	Wire Harness	LAY84930-0040	1	(RB)↔(CB)
34	Drain Tank, Panel Assy	484410-5030	1	
34-1	Hinge	LA484912-0040	2	
34-2	Holder (Hook Type)	LA484927-1010	2	
35	Screw (Tapping)	949006-5850	42	
36	Controller Assy	LAY84500-0020	1	
36-1	Mounting Plate, Control Board	LA484560-1560	1	w/Overlay and CB
37	Screw (Tapping)	949001-1360	8	
38	Screw	949006-3300	12	
39	Velcro	LA484311-2110	4	Evaporator
40	Stripe Kit Assy	LA484003-1110	1	6 ea. (both sides)
41	Velcro	LA484311-2071	4	Condenser

# OFFICE PRO 18



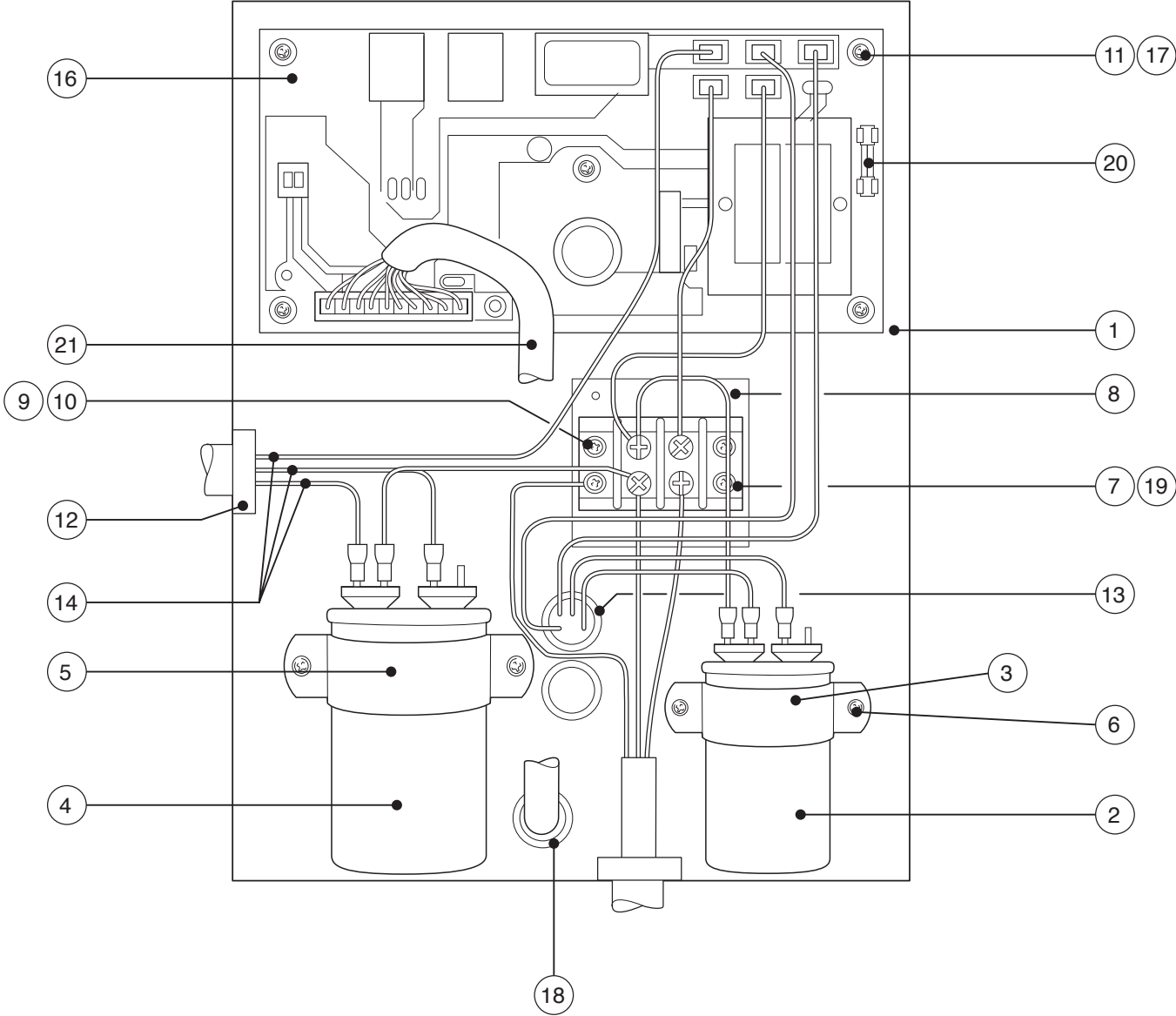
<b>ILL. NO.</b>	<b>DESCRIPTION</b>	<b>PART NO.</b>	<b>QTY.</b>	<b>REMARKS</b>
1	Compressor Assy	LA484650-1811	1	
2	Core Assy, Condenser	LA484600-1630	1	
3	Core Assy, Evaporator	LA484600-1620	1	
3-1	Pipe Assy, Capillary	LA484800-3340	1	
3-2	Pipe Assy, Evap. Outlet	LA484800-3331	1	
4	Pipe Assy, Connecting	LA484800-3350	1	
5	Cushion	LA484904-0240	3	
6	Collar, Steel	LA484915-0320	3	
7	Washer, Steel Plate	949011-5330	3	
8	Nut, Hexagon	90190-08651	3	
9	Screw, Tapping	949001-1570	6	
10	Cover	LA484391-1630	1	
11	Wire Assy	LA484930-6822	1	

# OFFICE PRO 18



ILL. NO.	DESCRIPTION	PART NO.	QTY.	REMARKS
1	Casing, Evaporator Fan	LA484261-0260	1	
2	Fan, Evaporator	LA484221-0360	1	w/ set screw
3	Fan Motor	LA484211-1342	1	
4	Casing Assy, Condenser Fan	LA484261-027A	1	
5	Fan, Condenser	LA484221-0370	1	w/ set screw
6	Ring Sub-Assy	LA484280-0090	1	
7	Screw w/Washer	91370-04141	3	D4, I14
8	Nut, Hex	949056-1430	4	
9	Screw w/Washer	91370-06161	4	D6, I16
10	Screw w/Washer	91370-06121	5	D6, I12
11	Screw w/Washer	949007-3600	2	D4, I10
12	Nut	949056-1430	4	
13	Screw	949006-5850	6	
14	Screw	949001-1570	8	
15	Stay	LA484340-0920	1	
16	Motor Stay	LA484330-0500	1	
18	Stay, Control Panel Right	LA484331-6670	1	
19	Stay, Control Panel Left	LA484331-6660	1	

# OFFICE PRO 18



ILL. NO.	DESCRIPTION	PART NO.	QTY.	REMARKS
1	Box Sub-Assy, Control	LA484520-0720	1	
2	Capacitor, Fan	LA484507-0890	1	CF
3	Holder	LA484927-0880	1	
4	Capacitor, Compressor	LA484507-1230	1	CC
5	Holder	LA484927-0890	1	
6	Screw	949006-3250	4	
7	Screw	949006-3280	2	
8	Terminal Block	LA484503-0400	1	(TB)
9	Screw	91051-04100	3	
10	Washer, Plate	90201-04300	3	
11	Screw w/Washer	91370-03081	5	
12	Grommet	LA484926-0490	1	
13	Grommet	LA484926-0500	2	
14	Wire Assy	LA484930-6822	1	Compressor
16	Relay Board Assy	LA484500-2440	1	(RB) 115V
17	Spacer	LA484921-0150	5	
18	Grommet	484926-0290	1	
19	Washer, Plate	90200-04331	2	
20	Fuse, Relay Board	LAY65765-0030	1	250 mA 250 volts
21	Wire harness Assy	LA484930-6850	1	Main Compressor

# NOTES

***DENSO***

**DENSO SALES CALIFORNIA, INC.**

TECHNICAL SERVICE DEPARTMENT

Second Issue: February 2004

DSCA P/N: LA990009-1424

Printed in U.S.A.

**(800) 264-9573**

**[www.movincool.com](http://www.movincool.com)**

**DSCA P/N: LA990009-1424**