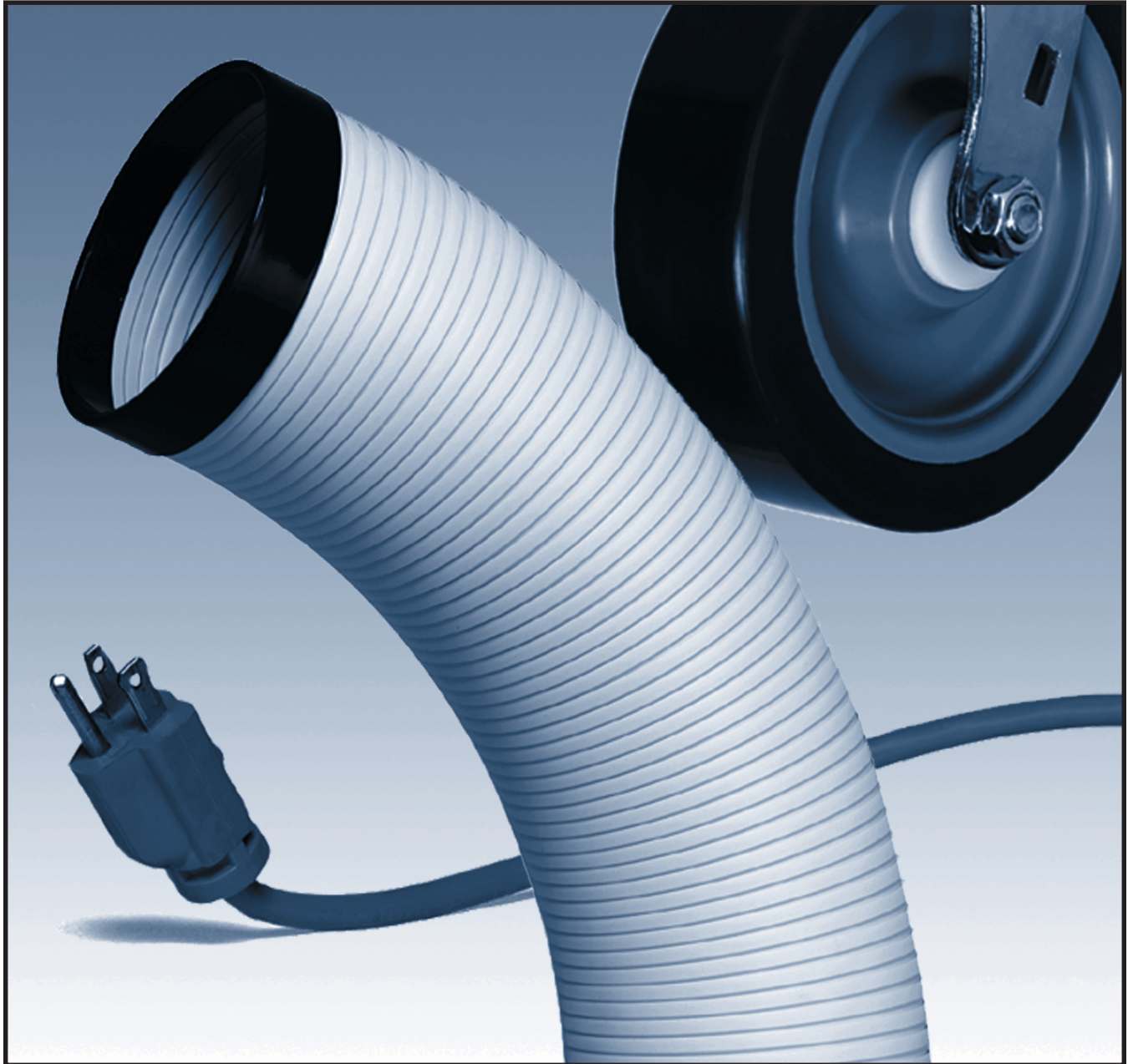


SPARE PARTS **CATALOG**

OFFICE PRO 12



DENSO SALES CALIFORNIA, INC.
REGISTERED TO ISO 9002
FILE NO. A5537

MOVINCOOL[®]
THE PORTABLE SPOT COOLING SOLUTION

© 2004 DENSO SALES CALIFORNIA, INC.

All rights reserved. This book may not be reproduced or copied, in whole or in part, without the written permission of the publisher. DENSO SALES CALIFORNIA, INC. reserves the right to make changes without prior notice. MovinCool is a registered trademark of DENSO Corporation.

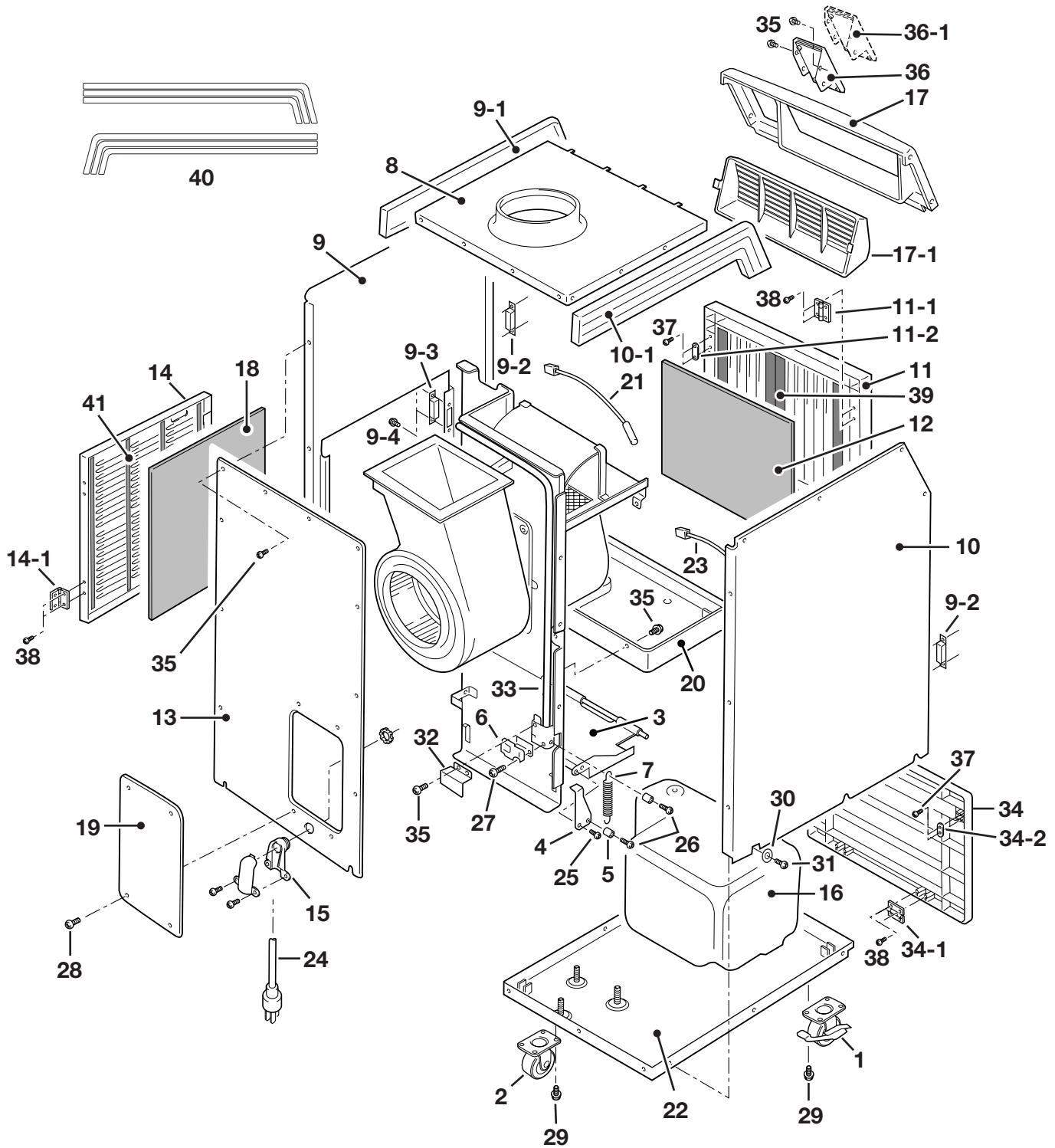
MOVIN**COOL**®

OFFICE PRO 12



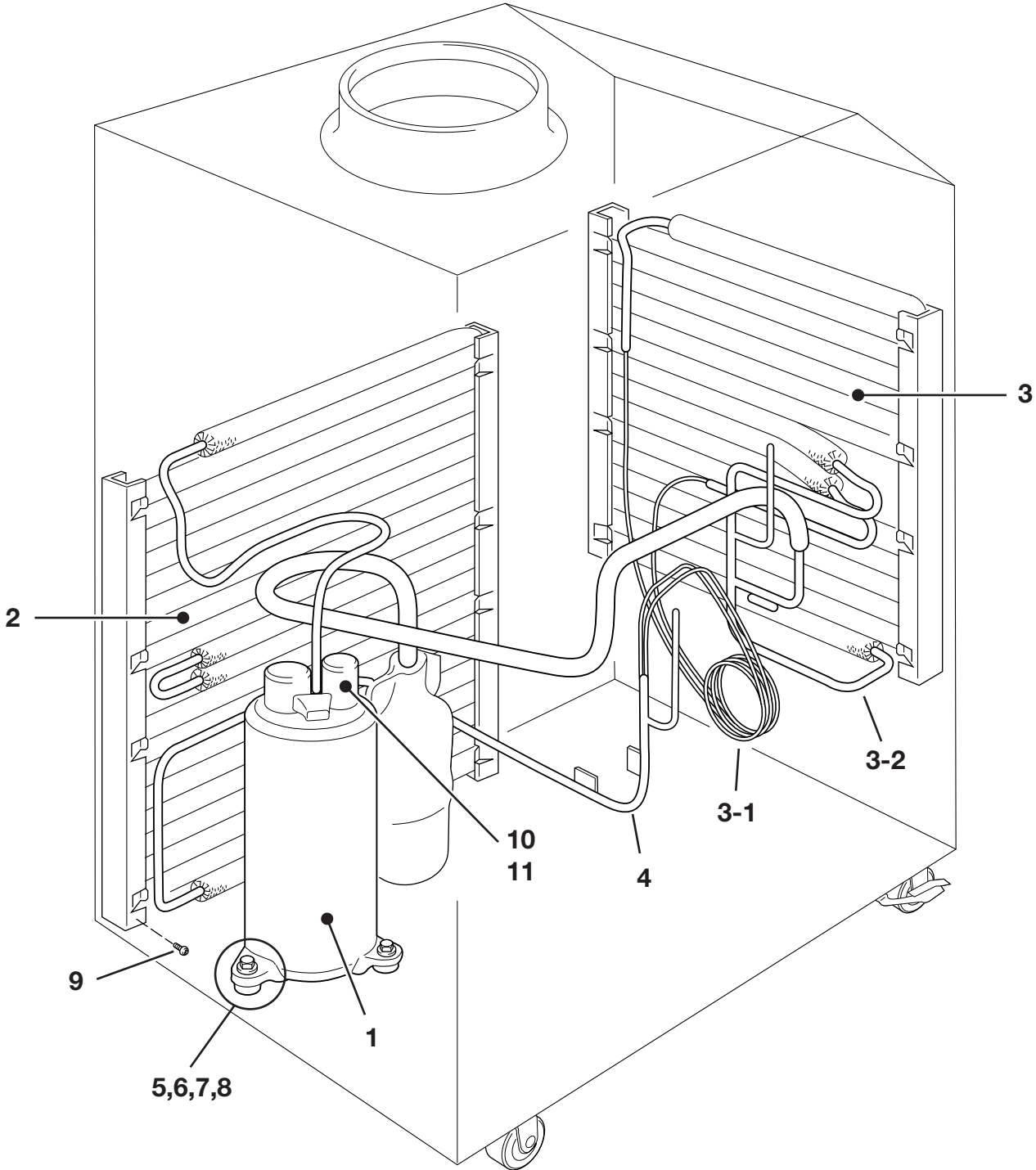
This spare parts catalog consists of simple illustrations with part numbers called out for all available parts to this product. Some part numbers described are available by assembly only.

OFFICE PRO 12



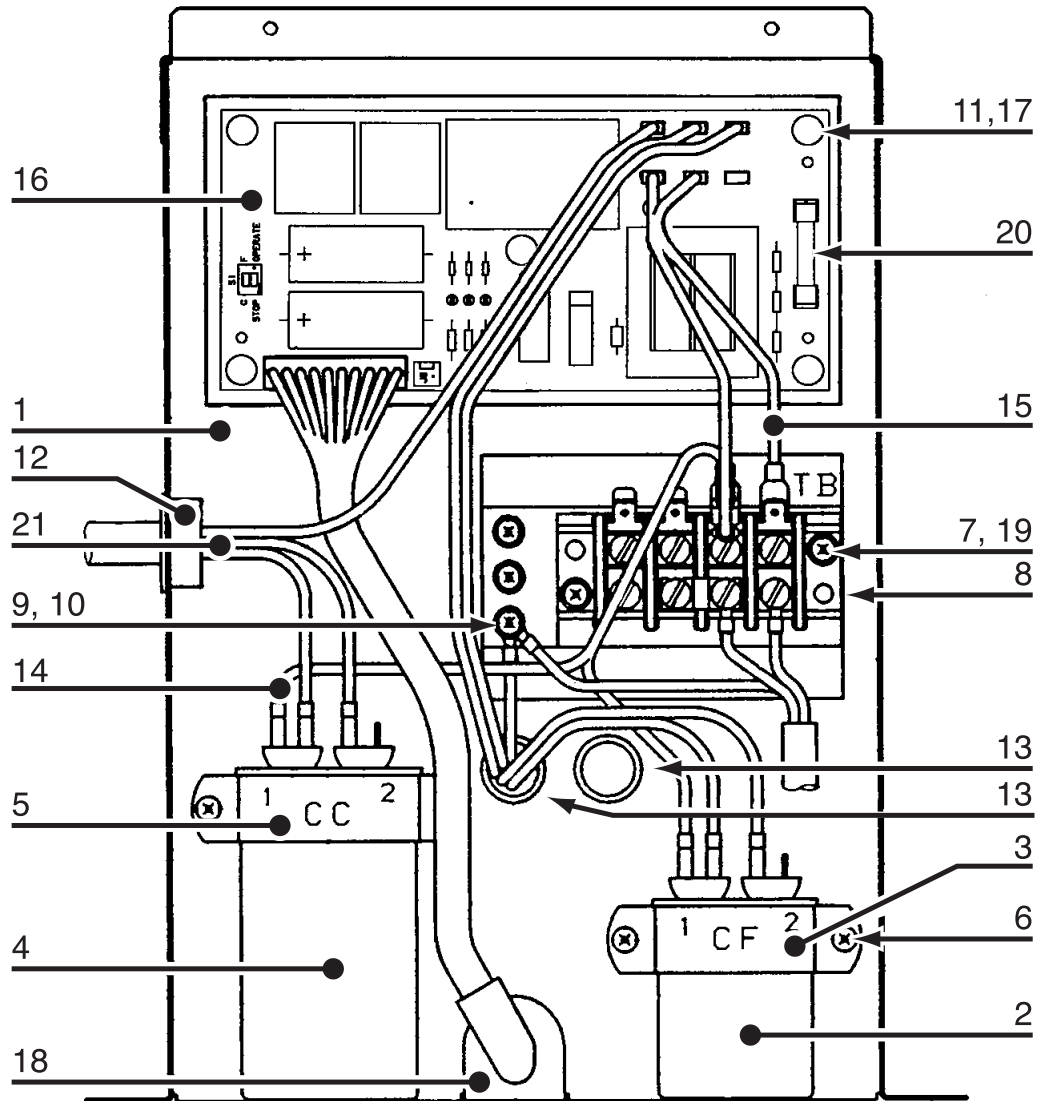
ILL. NO.	DESCRIPTION	PART NO.	QTY.	REMARKS
•	Unit Assy	Office Pro 12		
1	Caster w/Brake	LA484702-017B	2	
2	Caster	LA484702-018B	2	
3	Frame Sub-Assy (Drain Tank)	LAY84310-0010	1	
4	Bracket	LA484321-0510	1	
5	Socket	480837-0030	4	
6	Switch Assy, Drain Tank	LA484502-0380	1	
7	Spring, Tension Coil	949171-2090	2	
8	Panel, Top Rear	LA484410-5020	1	
9	Panel, Right	LA484410-5000	1	~12.00
	Panel, Right	LAY84410-6710	1	01.01(277)~
9-1	Right Handle	LA484450-0050	1	
9-2	Magnet	LA484927-0980	4	~12.00
	Door Catch	LA481922-0030	1	w/ screws, 01.01 (277)~
9-3	Magnet	484927-0990	2	
9-4	Screws	949006-4440	4	
10	Panel, Left	LA484410-5010	1	~12.00
	Panel, Left	LAY84410-0030	1	01.01 (277)~
10-1	Left Handle	LA484450-0060	1	
11	Panel Assy, Front Filter (Evap.)	LA484410-5050	1	~12.00
	Panel Assy, Front Filter (Evap.)	LAY84410-002A	1	01.01 (277)~
11-1	Hinge	LA484912-0040	2	
11-2	Plate, Magnet Contact	LA484311-2060	2	~12.00
	Holder, (Hook Type)	LA484927-1010	2	01.01 (277)~
12	Filter (Evap.)	LA484401-1160	1	
13	Panel, Rear	LA484410-5070	1	
14	Panel Assy, Side Filter (Cond.)	LA484410-5060	2	
14-1	Hinge	LA484912-0040	2	
15	Retainer, Power Cord	LA484506-0090	1	
16	Tank, Drain	484731-0021	1	
17	Panel Assy, Top Front	LA484410-5230	1	w/Packing and Pins
17-1	Air Louver, Outlet	LA480431-0090	1	
18	Filter (Condenser)	LA484401-1171	1	
19	Panel, Service	LA484410-5080	1	
20	Drain Pan Assy	LA484430-0120	1	
21	Thermistor, Room Temp	LAY84532-0020	1	03.01~
	Thermistor, Room Temp.	LA484532-002B	1	~02.01
22	Frame Sub-Assy (Base)	LA484310-297A	1	
23	Thermistor, Anti-Freeze Up	LAY84532-0010	1	03.01~
	Thermistor, Anti-Freeze Up	LA484532-0030	1	~02.01
24	Power Cord Assy	LA484930-5250	1	
25	Screw w/Washer	91370-04101	1	D4, I10
26	Screw	91060-04161	4	D4, I16
27	Screw w/Washer	91310-03161	2	D3, I16
28	Screw, Tapping	949007-6700	27	D4, I10
29	Bolt w/Washer	91510-08141	8	M8, I14
30	Washer, Plate	90201-06400	1	
31	Screw, Crossrecess Pan	90051-06120	1	
32	Cover, Drain Switch	LA484391-056A	1	
33	Wire Harness	LAY84930-0040	1	(RB)↔(CB) 03.01~
	Wire Harness	LA484930-5241	1	(RB)↔(CB) ~02.01
34	Drain Tank, Panel Assy	LA484410-5030	1	
34-1	Hinge	LA484912-0040	2	
34-2	Plate, Magnet Contact	LA484311-2060	2	~12.00
	Holder (hook type)	LA484927-1010	2	01.01 (277)~
35	Screw	949006-5850	42	
36	Controller Assy	LAY84500-0020	1	(CB) 03.01~
	Controller Assy	LA484500-1850	1	(CB)~02.01
36-1	Mounting Plate, Control Board	LA484420-0270	1	w/Overlay
37	Screw	LAY49001-0010	8	
38	Screw	949006-3300	12	
39	Velcro	LA484311-2110	4	Evaporator
40	Stripe Kit Assy	LA484003-1110	1	6 ea. (both sides)
41	Velcro	LA484311-2071	4	Condenser

OFFICE PRO 12



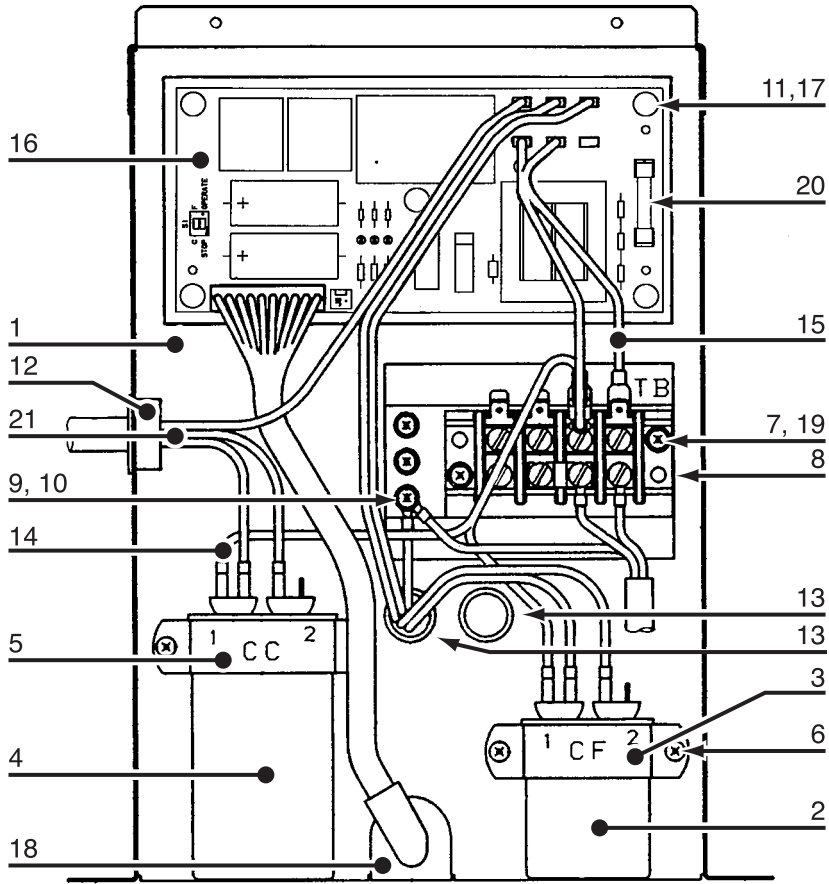
ILL. NO.	DESCRIPTION	PART NO.	QTY.	REMARKS
1	Compressor Assy	LA484650-1430	1	
2	Core Assy, Condenser	LA484600-1330	1	
3	Core Assy, Evaporator	LA484600-1340	1	
3-1	Pipe Assy, Capillary	LA484800-2900	1	
3-2	Pipe Assy, Evap. Outlet	LA484800-2890	1	
4	Pipe Assy, Connecting	LA484800-2910	1	
5	Cushion	LA484904-0240	3	
6	Collar, Steel	LA484915-0320	3	
7	Washer, Steel Plate	949011-5330	3	
8	Nut, Hexagon	90190-08651	3	
9	Screw, Tapping	949001-1570	6	
10	Overload Relay	LA484501-0290	1	
11	Clip	LA484917-0360	1	

OFFICE PRO 12



ILL. NO.	DESCRIPTION	PART NO.	QTY.	REMARKS
1	Casing, Evaporator Fan	LA484261-0260	1	
2	Fan, Evaporator	LA484221-0360	1	w/ set screw
3	Fan Motor	LA484211-1332	1	
4	Casing Assy, Condenser Fan	LA484261-027A	1	
5	Fan, Condenser	LA484221-0370	1	w/ set screw
6	Ring Sub-Assy	LA484280-0090	1	
7	Screw w/Washer	913700-4141	3	D4, I14
8	Nut, Hex	92150-06061	4	
9	Screw w/Washer	91370-06161	4	D6, I16
10	Screw w/Washer	91370-06121	5	D6, I12
11	Screw w/Washer	949007-3600	2	D4, I10
12	Nut	949056-1430	4	
13	Screw	949006-5850	6	
14	Screw	949001-1570	8	
15	Air Deflector	LA484340-0920	1	
16	Motor Stay	LA484330-0500	1	
18	Stay, Control Panel Right	LA484331-6670	1	
19	Stay, Control Panel Left	LA484331-6660	1	

OFFICE PRO 12



ILL. NO.	DESCRIPTION	PART NO.	QTY.	REMARKS
1	Box Sub-Assy, Control	LA484520-0720	1	
2	Capacitor, Fan	LA484507-0890	1	CF
3	Holder	LA484927-0880	1	
4	Capacitor, Compressor	LA484507-0880	1	CC
5	Holder	LA484927-0890	1	
6	Screw	949006-3250	4	
7	Screw	949006-3280	2	
8	Terminal Block	LA484503-0400	1	(TB)
9	Screw	91051-04100	3	
10	Washer, Plate	90201-04300	3	
11	Screw w/Washer	91370-03081	5	
12	Grommet	LA484926-0490	1	
13	Grommet	LA484926-0500	2	
14	Wire Assy	LA484930-5221	1	Capacitor
15	Wire Assy	LA484930-523A	1	(TB) ↔ (RB)
16	Relay Board Assy	LAY84500-0050	1	(RB) 115V 03.01~
	Relay Board Assy	LA484500-2690	1	(RB) 115V ~02.01
17	Spacer	LA484921-0150	5	
18	Grommet	484926-0290	1	
19	Washer, Plate	90200-04331	2	
20	Fuse, Relay Board	LAY65765-0010	1	2/10 amps 250 volts
21	Wire harness Assy	LA484930-5210	1	Compressor

NOTES

DENSO

DENSO SALES CALIFORNIA, INC.

TECHNICAL SERVICE DEPARTMENT

Third Issue: February 2004

DSCA P/N: LA990009-1431

Printed in U.S.A.

(800) 264-9573

www.movincool.com

DSCA P/N: LA990009-1431