

OB30DDEPX3

## 30" BUILT-IN DOUBLE OVEN - 11 FUNCTION



Designed for ultimate performance and cooking capability, the 30" Built-in Double Oven has a total capacity of 8.2 cu.ft. with 11 cooking functions, including a self-cleaning mode and a catalytic smoke eliminator.

### FEATURES

#### Perfect Results

The powerful 4400W broiler gives even browning results, and the AeroTech™ convection system circulates air providing even heat distribution, eliminating hot spots and making multi-shelf cooking ideal. The two-step Roast program helps you produce a perfectly tender and juicy roast.

#### Sized to Suit

Each oven has 4.1 cu.ft. of total capacity and is big enough to cook a turkey and a large tray of roast vegetables.

#### Designed to Match

Designed with black reflective glass, this durable oven matches the rest of Fisher & Paykel's coordinated kitchen family.

#### Easy Cleaning

No need for harsh chemical cleaners in our ovens; simply remove the racks and set to self-clean.

#### Precise Control

Temperature adjustment is easy with smooth, balanced dial movement. Sophisticated electronics then maintain an even, accurate temperature for better, more precise results.

#### Safe and Sound

CoolTouch doors are safer and improve energy efficiency by keeping the heat on the inside. An advanced heat-reflective coating and innovative cooling system keeps heat where it should be.

### BENEFITS

### SPECIFICATIONS

#### Finish

Black reflective glass  
Brushed stainless steel

#### Dimensions

H48<sup>7</sup>/<sub>16</sub> x W29<sup>2</sup>/<sub>32</sub> x D23<sup>2</sup>/<sub>32</sub>"

#### Total capacity +

4.1cu.ft + 4.1cu.ft

#### Shelf positions

8 per cavity

#### Oven functions

	11
Bake	●
Aero™ Bake	●
True Aero™	●
Broil	●
Maxi Broil	●
Aero™ Broil	●
Aero™ Pastry	●
Roast	●
Classic Bake	●
Warm	●
Self-clean	●

#### Performance

Broil	4400W
-------	-------

#### Power requirements

Supply voltage	120-240V
Supply frequency	60Hz
AMP draw	38.3A 240V 33.7A 208V

#### Warranty

2 years

SKU	84718
-----	-------

UPC Code	822843847181
----------	--------------

For full specifications visit [fisherpaykel.com](http://fisherpaykel.com)



#### A PEACE OF MIND SALE

24 Hours 7 Days a Week Customer Support

T 1.888.936.7872 W [fisherpaykel.com](http://fisherpaykel.com)

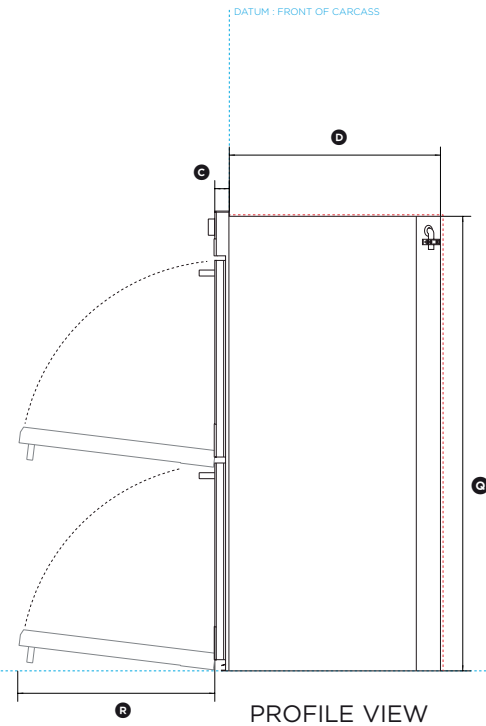
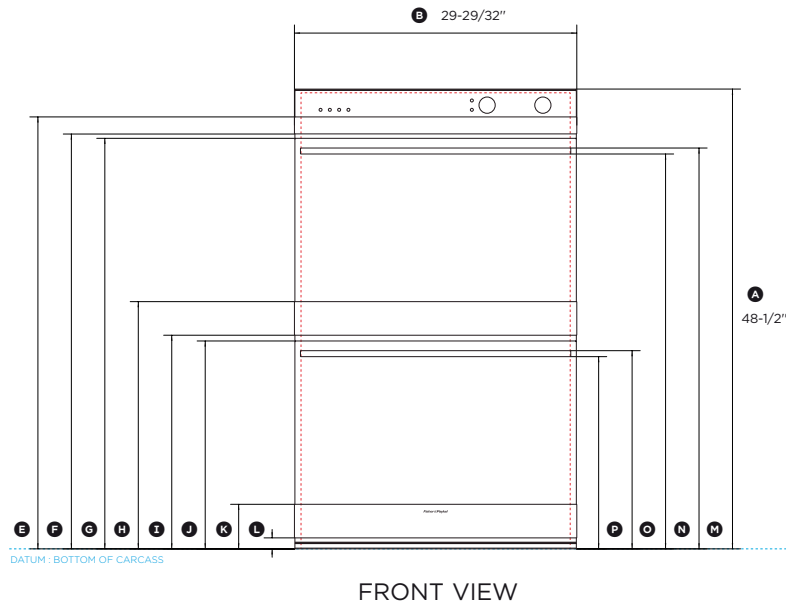
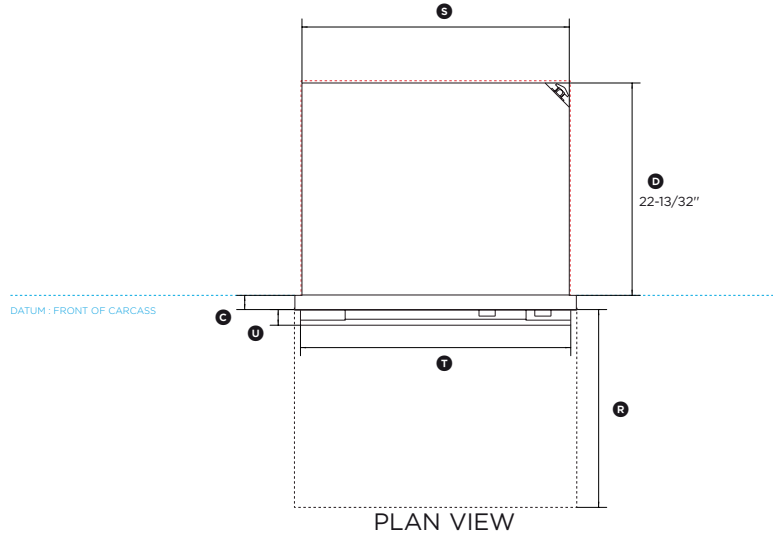
**Fisher & Paykel**

## CAVITY PREPARATION

## 30" DOUBLE BUILT IN OVEN

Model no:

**OB30DDEPX3**



Product Dimensions	in
Ⓐ Overall height* of oven	48-1/2"
Ⓑ Overall width of oven	29-29/32"
Ⓒ Depth of oven front and control panel** (excludes handle and dials)	1-17/32"
Ⓓ Depth of oven chassis (does not include oven front)	22-13/32"
Ⓔ Height from bottom datum to top of stainless fascia cap	45-9/16"
Ⓕ Height from bottom datum to bottom of stainless fascia cap	43-25/32"
Ⓖ Height from bottom datum to top of top door	43-5/16"
Ⓗ Height from bottom datum to top of top stainless door cap	26-1/16"
Ⓙ Height from bottom datum to bottom of top stainless door cap	22-17/32"
Ⓚ Height from bottom datum to top of bottom door	21-15/16"
Ⓛ Height from bottom datum to top of bottom stainless door cap	4-11/16"
Ⓜ Height from bottom datum to top of vent	1-5/32"
Ⓝ Height from bottom datum to top of top handle	42-9/32"
Ⓟ Height from bottom datum to bottom of top handle	41-21/32"
Ⓠ Height from bottom datum to top of bottom handle	20-29/32"
Ⓡ Height from bottom datum to bottom of bottom handle	20-9/32"
Ⓢ Height of chassis	47-15/16"
Ⓣ Depth of door (open) (measured from front of door)	20-7/8"
Ⓤ Overall width of chassis	28-11/32"
Ⓡ Width of handle	28-5/8"
Ⓟ Depth of handle (measured from front of door)	1-21/32"

\* All height measurements included mounted feet

\*\* Measured to front glass surface and excludes 3/32" stainless cap

Minimum Clearances	in
Minimum inside height of cavity from bottom datum	48-3/16"
Minimum inside width of cavity	28-1/2"
Minimum inside depth of cavity from front datum	22-5/8"

INDICATES PRODUCT DATUM

INDICATES MINIMUM CABINETRY CLEARANCES

IMPORTANT NOTE: The product dimensions and specifications apply at the date of issue. Under our policy of continuous product improvement, these dimensions and specifications may change at any time. Dimensions may vary by  $\pm 3/32"$ . Please read the installation manual for detailed information on installing the product or visit [fisherpaykel.com](http://fisherpaykel.com).

**Fisher & Paykel**

OB30SDEPX3

## 30" BUILT-IN SINGLE OVEN - 11 FUNCTION



Designed for ultimate performance and cooking capability, the 30" Built-in Single Oven has a total capacity of 4.1 cu.ft. with 11 functions, including a self-cleaning mode and a catalytic smoke eliminator

### FEATURES

#### Perfect Results

The powerful 4400W broiler gives even browning results, and the AeroTech™ convection system circulates air providing even heat distribution, eliminating hot spots and making multi-shelf cooking ideal. The two-step Roast program helps you produce a perfectly tender and juicy roast.

#### Sized to Suit

4.1 cu.ft. of total capacity makes this oven big enough to cook a turkey and a large tray of roast vegetables.

#### Designed to Match

Designed with black reflective glass and stainless steel, this durable oven matches the rest of Fisher & Paykel's coordinated kitchen family.

#### Easy Cleaning

No need for harsh chemical cleaners in our ovens; simply remove the racks and set to self-clean.

#### Precise Control

Temperature adjustment is easy with smooth, balanced dial movement. Sophisticated electronics then maintain an even, accurate temperature for better, more precise results.

#### Safe and Sound

CoolTouch doors are safer and improve energy efficiency by keeping the heat on the inside. An advanced heat-reflective coating and innovative cooling system keeps heat where it should be.

### BENEFITS

### SPECIFICATIONS

#### Finish

Black reflective glass  
Brushed stainless steel

#### Dimensions

H27<sup>1</sup>/<sub>16</sub>" x W29<sup>2</sup>/<sub>32</sub>" x D23<sup>2</sup>/<sub>32</sub>"

#### Total capacity +

4.1cu.ft

#### Shelf positions

8 per cavity

#### Oven functions

11

Bake

●

Aero™ Bake

●

True Aero™

●

Broil

●

Maxi Broil

●

Aero™ Broil

●

Aero™ Pastry

●

Roast

●

Classic Bake

●

Warm

●

Self-clean

●

#### Performance

Broil

4400W

#### Power requirements

Supply voltage

120-240V

Supply frequency

60Hz

AMP draw

19.4A 240V 16.7A 208V

#### Warranty

2 years

SKU

84717

UPC Code

822843847174

For full specifications visit [fisherpaykel.com](http://fisherpaykel.com)



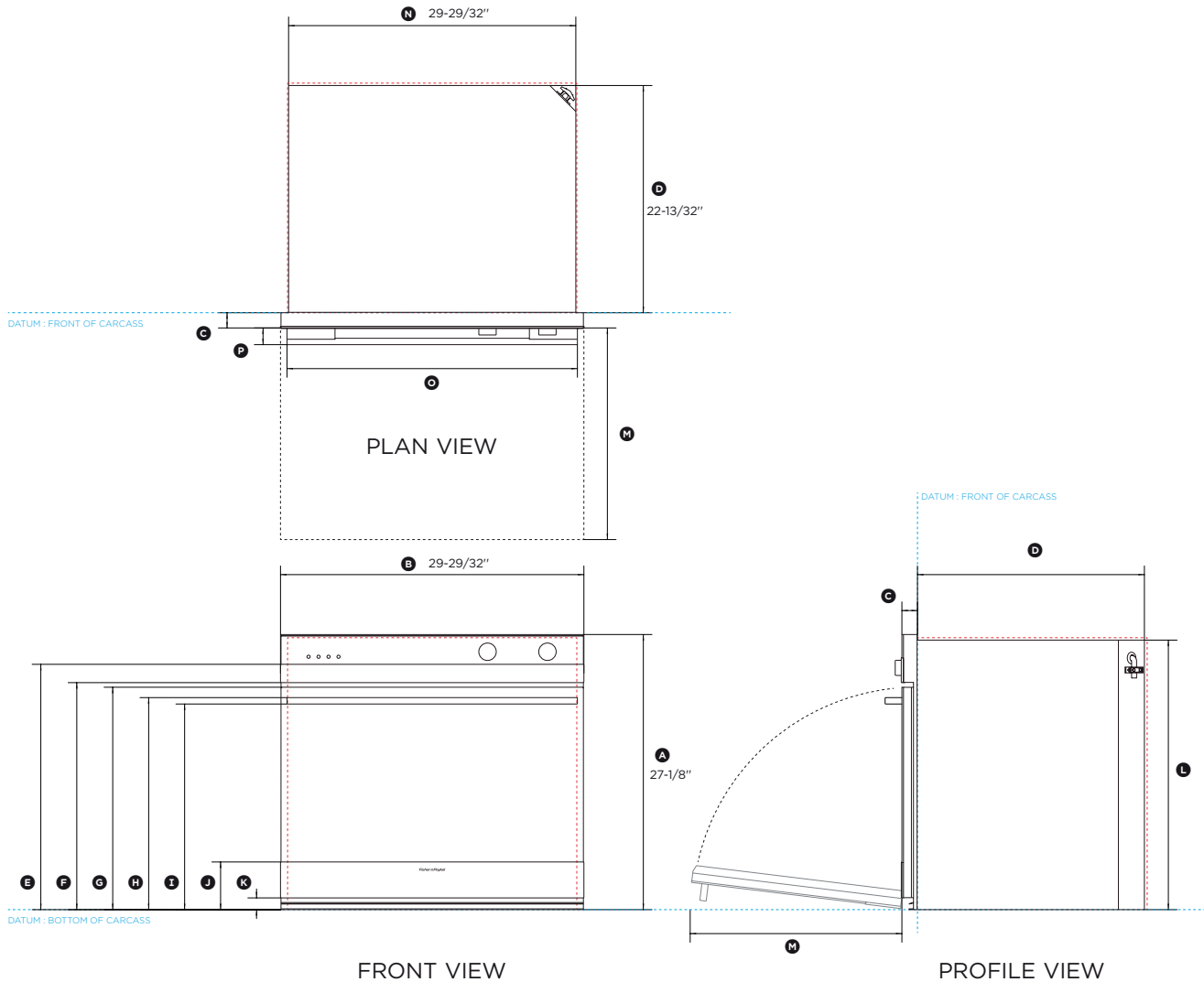
#### A PEACE OF MIND SALE

24 Hours 7 Days a Week Customer Support

T 1.888.936.7872 W [fisherpaykel.com](http://fisherpaykel.com)

**Fisher & Paykel**

## CAVITY PREPARATION



## 30" BUILT IN SINGLE OVEN

Model no:

**OB30SDEPX3**

Product Dimensions	in
Ⓐ Overall height* of oven	27-1/8"
Ⓑ Overall width of oven	29-29/32"
Ⓒ Depth of oven front and control panel** (excludes handle and dials)	1-17/32"
Ⓓ Depth of oven chassis (does not include oven front)	22-13/32"
Ⓔ Height from bottom datum to top of stainless fascia cap	24-3/16"
Ⓕ Height from bottom datum to bottom of stainless fascia cap	22-13/32"
Ⓖ Height from bottom datum to top of door	21-15/16"
Ⓗ Height from bottom datum to top of handle	20-29/32"
Ⓘ Height from bottom datum to bottom of handle	20-9/32"
Ⓝ Height from bottom datum to top of stainless door cap	4-11/16"
Ⓧ Height from bottom datum to top of vent	1-5/32"
Ⓛ Height of chassis	26-9/16"
Ⓝ Depth of door (open) (measured from front of door)	20-7/8"
Ⓝ Overall width of chassis	28-11/32"
Ⓝ Width of handle	28-5/8"
Ⓒ Depth of handle (measured from front of door)	1-21/32"

\* All height measurements included mounted feet

\*\* Measured to front glass surface and excludes 3/32" stainless cap

Minimum Clearances	in
Height of cavity from bottom datum	26-13/16"
Minimum inside width of cavity	28-1/2"
Minimum inside depth of cavity from front datum	22-5/8"

INDICATES PRODUCT DATUM

INDICATES MINIMUM CABINETRY CLEARANCES

**IMPORTANT NOTE:** The product dimensions and specifications apply at the date of issue. Under our policy of continuous product improvement, these dimensions and specifications may change at any time. Dimensions may vary by  $\pm 3/32"$ . Please read the installation manual for detailed information on installing the product or visit [fisherpaykel.com](http://fisherpaykel.com).

**Fisher & Paykel**

OB30DTEPX3

## 30" BUILT-IN DOUBLE OVEN - 11 FUNCTION



Designed for ultimate performance and cooking capability, the 30" Built-in Double Oven has a total capacity of 8.2 cu.ft. with 11 cooking functions, plus a self-cleaning mode and a catalytic smoke eliminator.



### A PEACE OF MIND SALE

24 Hours 7 Days a Week Customer Support

T 1.888.936.7872 W [fisherpaykel.com](http://fisherpaykel.com)

### FEATURES

#### Perfect Results

The powerful 4400W broiler gives even browning results, and the AeroTech™ convection system circulates air providing even heat distribution, eliminating hot spots and making multi-shelf cooking ideal. The two-step Roast program helps you produce a perfectly tender and juicy roast.

#### Sized to Suit

Each oven has 4.1 cu.ft. of total capacity and is big enough to cook a turkey and a large tray of roast vegetables.

#### Designed to Match

Designed in stainless steel, this durable oven matches the rest of Fisher & Paykel's coordinated kitchen family.

#### Easy Cleaning

No need for harsh chemical cleaners in our ovens; simply remove the racks and set to self-clean.

#### Precise Control

Temperature adjustment is easy with smooth, balanced dial movement. Sophisticated electronics then maintain an even, accurate temperature for better, more precise results.

#### Safe and Sound

CoolTouch doors are safer and improve energy efficiency by keeping the heat on the inside. An advanced heat-reflective coating and innovative cooling system keeps heat where it should be.

### BENEFITS

### SPECIFICATIONS

#### Finish

Brushed stainless steel

#### Dimensions

H48 7/16" x W29 29/32" x D23 29/32"

#### Total capacity +

4.1cu.ft + 4.1cu.ft

#### Shelf positions

8 per cavity

#### Oven functions

11

Bake

●

Aero™ Bake

●

True Aero™

●

Broil

●

Maxi Broil

●

Aero™ Broil

●

Aero™ Pastry

●

Roast

●

Classic Bake

●

Warm

●

Self-clean

●

#### Performance

Broil

4400W

#### Power requirements

Supply voltage

120 - 240V

Supply frequency

60Hz

AMP draw

38.3A 240V 33.7A 208V

#### Warranty

2 years

SKU

84720

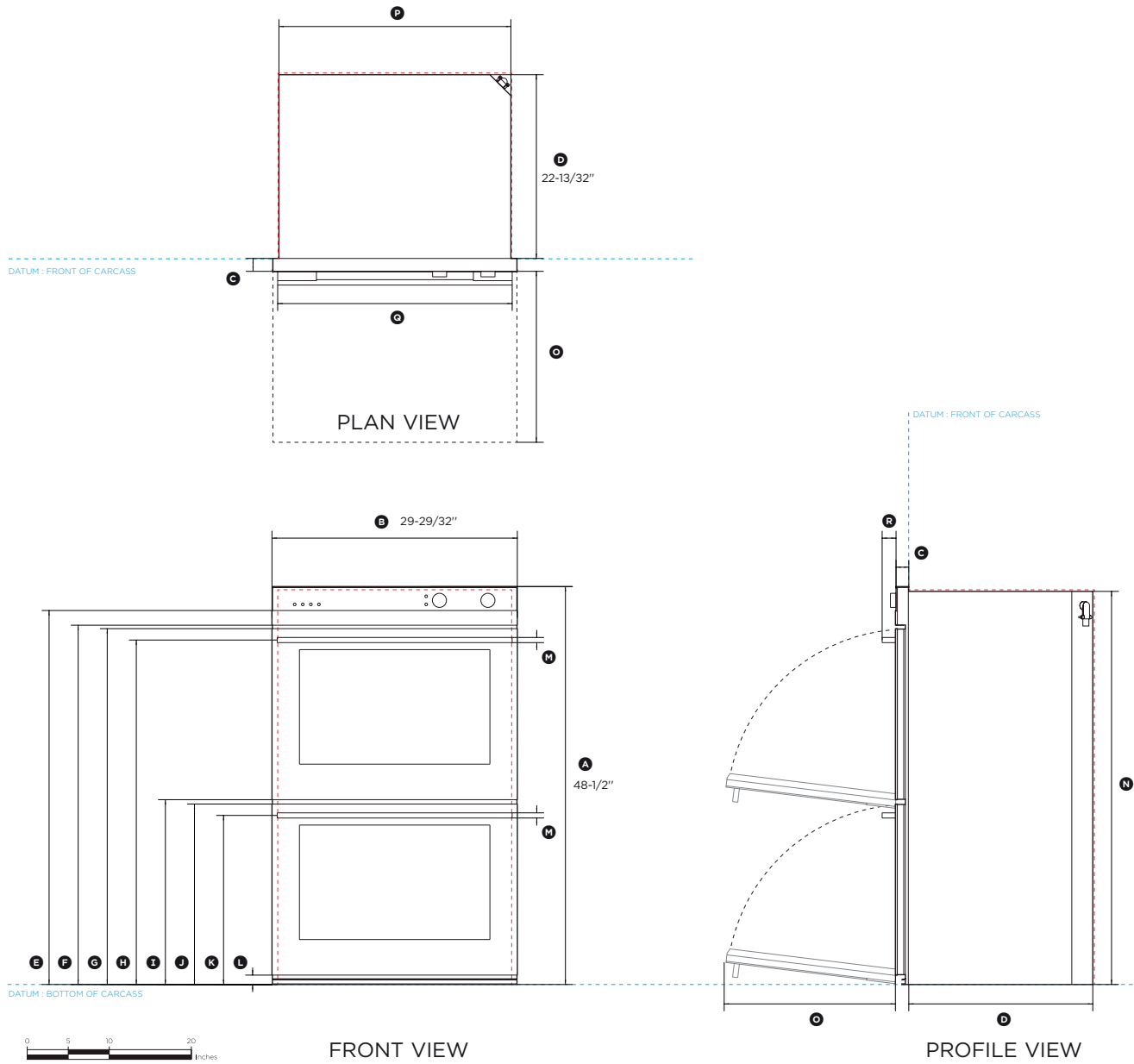
UPC Code

822843847204

For full specifications visit [fisherpaykel.com](http://fisherpaykel.com)

**Fisher & Paykel**

## CAVITY PREPARATION



Model no:

**OB30DTEPX3**

Product Dimensions	in
Ⓐ Overall height* of oven	48-1/2"
Ⓑ Overall width of oven	29-29/32"
Ⓒ Depth of oven front and control panel** (excludes handle and dials)	1-17/32"
Ⓓ Depth of oven chassis (does not include oven front)	22-13/32"
Ⓔ Height from bottom datum to top of stainless fascia cap	45-9/16"
Ⓕ Height from bottom datum to bottom of stainless fascia cap	43-25/32"
Ⓖ Height from bottom datum to top of top door	43-5/16"
Ⓗ Height from bottom datum to centre of top handle	41-31/32"
Ⓙ Height from bottom datum to bottom of top door	22-17/32"
Ⓚ Height from bottom datum to top of bottom door	21-15/16"
Ⓛ Height from bottom datum to centre of bottom handle	20-19/32"
Ⓛ Height from bottom datum to top of vent	1-5/32"
Ⓜ Thickness of handle	5/8"
Ⓝ Height of chassis	47-15/16"
Ⓞ Depth of door (open) (measured from front of door)	20-7/8"
Ⓟ Overall width of chassis	28-11/32"
Ⓠ Width of handle	28-5/8"
Ⓡ Depth of handle (measured from front of door)	1-21/32"

\* All height measurements included mounted feet

\*\* Measured to front glass surface and excludes 3/32" stainless cap

Minimum Clearances	in
Minimum inside height of cavity from bottom datum	48-3/16"
Minimum inside width of cavity	28-1/2"
Minimum inside depth of cavity from front datum	22-5/8"

INDICATES PRODUCT DATUM

INDICATES MINIMUM CABINETRY CLEARANCES

**IMPORTANT NOTE:** The product dimensions and specifications apply at the date of issue. Under our policy of continuous product improvement, these dimensions and specifications may change at any time. Dimensions may vary by  $\pm 3/32"$ . Please read the installation manual for detailed information on installing the product or visit [fisherpaykel.com](http://fisherpaykel.com).

**Fisher & Paykel**

OB30STEPX3

## 30" BUILT-IN SINGLE OVEN - 11 FUNCTION



Designed for ultimate performance and cooking capability, the 30" Built-in Single Oven has a total capacity of 4.1 cu.ft. with 11 functions, including a self-cleaning mode and a catalytic smoke eliminator

### FEATURES

#### Perfect Results

The powerful 4400W broiler gives even browning results, and the AeroTech™ convection system circulates air providing even heat distribution, eliminating hot spots and making multi-shelf cooking ideal. The two-step Roast program helps you produce a perfectly tender and juicy roast.

#### Sized to Suit

4.1 cu.ft. of total capacity makes this oven big enough to cook a turkey and a large tray of roast vegetables.

#### Designed to Match

Designed in stainless steel, these durable ovens match the rest of Fisher & Paykel's coordinated kitchen family.

#### Easy Cleaning

No need for harsh chemical cleaners in this oven; simply remove the racks and set to self-clean.

#### Precise Control

Temperature adjustment is easy with smooth, balanced dial movement. Sophisticated electronics then maintain an even, accurate temperature for better, more precise results.

#### Safe and Sound

CoolTouch doors are safer and improve energy efficiency by keeping the heat on the inside. An advanced heat-reflective coating and innovative cooling system keeps heat where it should be.

### BENEFITS

### SPECIFICATIONS

#### Finish

Brushed stainless steel

#### Dimensions

H27 1/16" x W29 29/32" x D23 29/32"

#### Total capacity +

4.1cu.ft

#### Shelf positions

8 per cavity

#### Oven functions

11

Bake

●

Aero™ Bake

●

True Aero™

●

Broil

●

Maxi Broil

●

Aero™ Broil

●

Aero™ Pastry

●

Roast

●

Classic Bake

●

Warm

●

Self-clean

●

#### Performance

Broil

4400W

#### Power requirements

Supply voltage

120 - 240V

Supply frequency

60Hz

AMP draw

19.4A 240V 16.7A 208V

#### Warranty

2 years

SKU

84719

UPC Code

822843847198

For full specifications visit [fisherpaykel.com](http://fisherpaykel.com)



#### A PEACE OF MIND SALE

24 Hours 7 Days a Week Customer Support

T 1.888.936.7872 W [fisherpaykel.com](http://fisherpaykel.com)

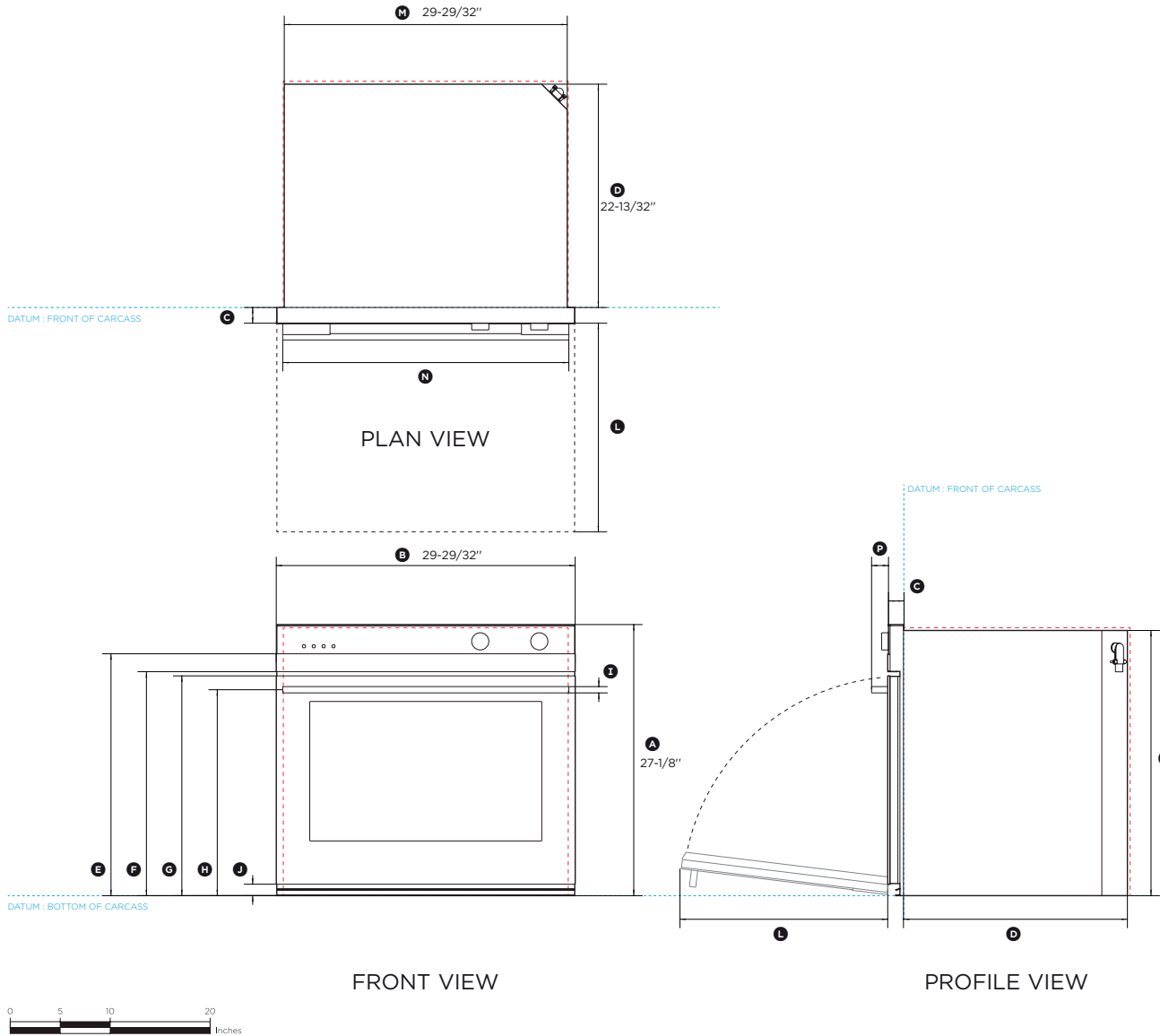
**Fisher & Paykel**

## CAVITY PREPARATION

## 30" BUILT IN SINGLE OVEN

Model no:

**OB30STEPX3**



Product Dimensions	in
Ⓐ Overall height* of oven	27-1/8"
Ⓑ Overall width of oven	29-29/32"
Ⓒ Depth of oven front and control panel** (excludes handle and dials)	1-17/32"
Ⓓ Depth of oven chassis (does not include oven front)	22-13/32"
Ⓔ Height from bottom datum to top of stainless fascia cap	24-3/16"
Ⓕ Height from bottom datum to bottom of stainless fascia cap	22-13/32"
Ⓖ Height from bottom datum to top of door	21-15/16"
Ⓗ Height from bottom datum to centre of handle	20-19/32"
Ⓘ Thickness of handle	5/8"
Ⓜ Height from bottom datum to top of vent	1-5/32"
Ⓝ Height of chassis	26-9/16"
Ⓛ Depth of door (open) (measured from front of door)	20-7/8"
Ⓟ Overall width of chassis	28-11/32"
Ⓢ Width of handle	28-5/8"
Ⓣ Depth of handle (measured from front of door)	1-21/32"

\* All height measurements included mounted feet

\*\* Measured to front glass surface and excludes 3/32" stainless cap

Minimum Clearances	in
Height of cavity from bottom datum	26-13/16"
Minimum inside width of cavity	28-1/2"
Minimum inside depth of cavity from front datum	22-5/8"

INDICATES PRODUCT DATUM

INDICATES MINIMUM CABINETRY CLEARANCES

**IMPORTANT NOTE:** The product dimensions and specifications apply at the date of issue. Under our policy of continuous product improvement, these dimensions and specifications may change at any time. Dimensions may vary by  $\pm 3/32"$ . Please read the installation manual for detailed information on installing the product or visit [fisherpaykel.com](http://fisherpaykel.com).

**Fisher & Paykel**



OB30SCEPX3

## 30" BUILT-IN SINGLE OVEN - 9 FUNCTION



Designed for ultimate performance and cooking capability, the 30" Built-in Single Oven has a total capacity of 4.1 cu.ft. with 9 functions, including a self-cleaning mode and a catalytic smoke eliminator



### A PEACE OF MIND SALE

24 Hours 7 Days a Week Customer Support

T 1.888.936.7872 W [fisherpaykel.com](http://fisherpaykel.com)

### FEATURES

#### Perfect Results

The powerful 4400W broiler gives even browning results, and the AeroTech™ convection system circulates air providing even heat distribution, eliminating hot spots and making multi-shelf cooking ideal. The two-step Roast program helps you produce a perfectly tender and juicy roast.

#### Sized to Suit

4.1 cu.ft. of total capacity makes this oven big enough to cook a turkey and a large tray of roast vegetables.

#### Designed to Match

Designed in black reflective glass and stainless steel, this durable oven matches the rest of Fisher & Paykel's coordinated kitchen family.

#### Easy Cleaning

No need for harsh chemical cleaners in this oven; simply remove the racks and set to self-clean.

#### Precise Control

Temperature adjustment is easy with smooth, balanced dial movement. Sophisticated electronics then maintain an even, accurate temperature for better, more precise results.

#### Safe and Sound

CoolTouch doors are safer and improve energy efficiency by keeping the heat on the inside. An advanced heat-reflective coating and innovative cooling system keeps heat where it should be.

### BENEFITS

### SPECIFICATIONS

#### Finish

Black reflective glass  
Brushed stainless steel

#### Dimensions

H27<sup>1</sup>/<sub>16</sub>" x W29<sup>2</sup>/<sub>32</sub>" x D23<sup>2</sup>/<sub>32</sub>"

#### Total capacity +

4.1cu.ft

#### Shelf positions

8 per cavity

#### Oven functions

9

Bake

●

Aero™ Bake

●

True Aero™

●

Maxi Broil

●

Aero™ Broil

●

Aero™ Pastry

●

Classic Bake

●

Warm

●

Self-clean

●

#### Performance

Broil

4400W

#### Power requirements

Supply voltage

120-240V

Supply frequency

60Hz

AMP draw

19.4A 240V 16.7A 208V

#### Warranty

2 years

SKU

84716

UPC Code

822843847167

For full specifications visit [fisherpaykel.com](http://fisherpaykel.com)

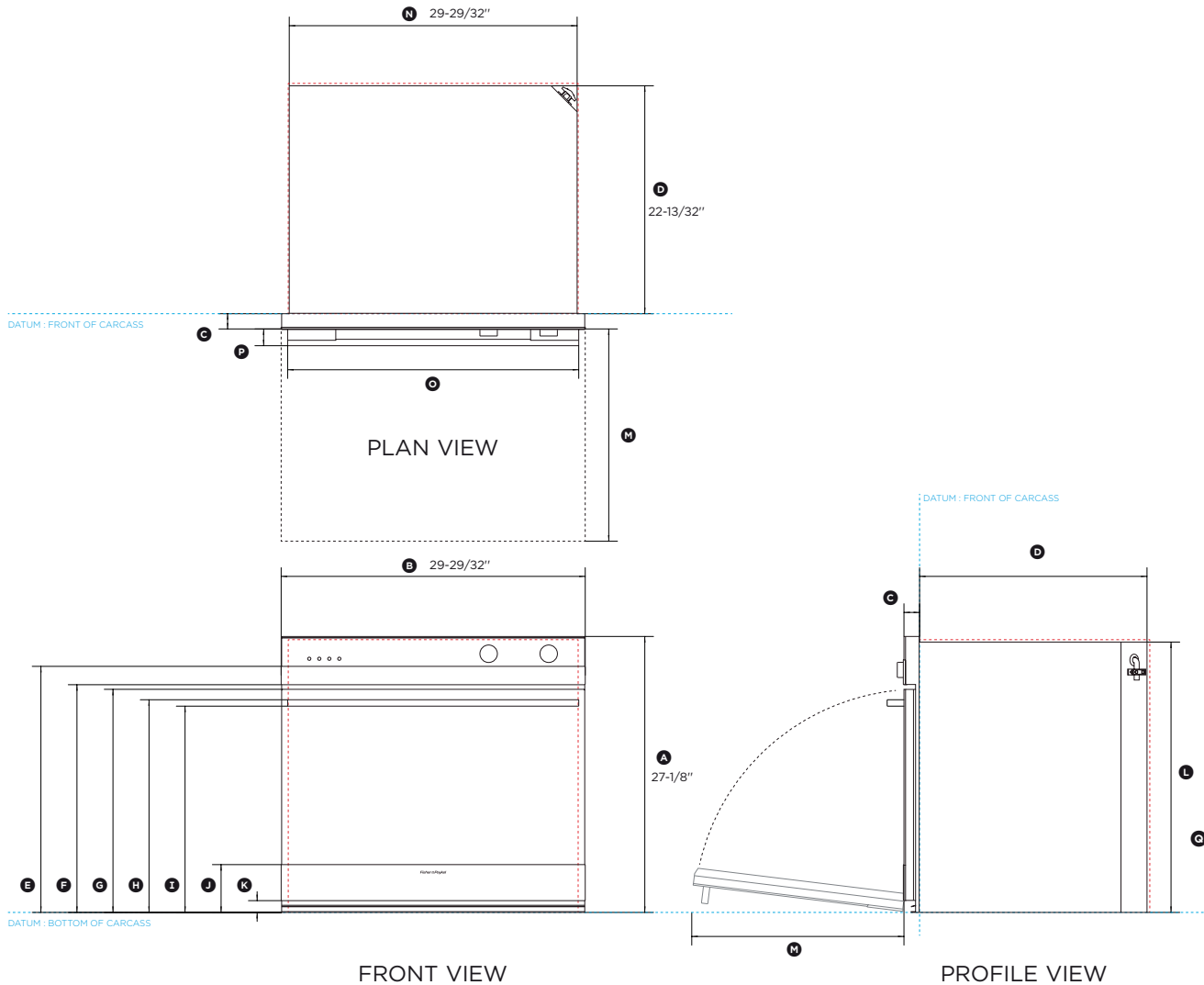
**Fisher & Paykel**

## CAVITY PREPARATION

## 30" BUILT IN SINGLE OVEN

Model no:

**OB30SCEPX3**



Product Dimensions	in
Ⓐ Overall height* of oven	27-1/8"
Ⓑ Overall width of oven	29-29/32"
Ⓒ Depth of oven front and control panel** (excludes handle and dials)	1-17/32"
Ⓓ Depth of oven chassis (does not include oven front)	22-13/32"
Ⓔ Height from bottom datum to top of stainless fascia cap	24-3/16"
Ⓕ Height from bottom datum to bottom of stainless fascia cap	22-13/32"
Ⓖ Height from bottom datum to top of door	21-15/16"
Ⓗ Height from bottom datum to top of handle	20-29/32"
Ⓘ Height from bottom datum to bottom of handle	20-9/32"
Ⓝ Height from bottom datum to top of stainless door cap	4-11/16"
Ⓧ Height from bottom datum to top of vent	1-5/32"
Ⓛ Height of chassis	26-9/16"
Ⓞ Depth of door (open) (measured from front of door)	20-7/8"
Ⓜ Overall width of chassis	28-11/32"
Ⓟ Width of handle	28-5/8"
Ⓠ Depth of handle (measured from front of door)	1-21/32"

\* All height measurements included mounted feet

\*\* Measured to front glass surface and excludes 3/32" stainless cap

Minimum Clearances	in
Height of cavity from bottom datum	26-13/16"
Minimum inside width of cavity	28-1/2"
Minimum inside depth of cavity from front datum	22-5/8"

INDICATES PRODUCT DATUM

INDICATES MINIMUM CABINETRY CLEARANCES

IMPORTANT NOTE: The product dimensions and specifications apply at the date of issue. Under our policy of continuous product improvement, these dimensions and specifications may change at any time. Dimensions may vary by  $\pm 3/32"$ . Please read the installation manual for detailed information on installing the product or visit [fisherpaykel.com](http://fisherpaykel.com).

**Fisher & Paykel**