

FISHER & PAYKEL
PRODUCT CATALOG



Fisher & Paykel

Fisher&Paykel

A HISTORY OF INNOVATION

Since our founding in 1934, we have grown into a global, design-led company of more than 3,000 people. Designed and engineered in New Zealand, our products are sold in 50 countries around the world. Our design heritage is founded on a pioneering spirit and a culture of curiosity that has challenged conventional appliance design to consistently deliver products tailored to human needs. For us, legacy is about looking into the future, while ensuring what we develop today is aligned to the fundamental principles of sustainable design. We are committed to ongoing research and development. Our culture is one of open innovation, which allows people to work collaboratively to find insights and ideas that connect with our customers and respect our planet.



We live one day at a time.











Cooking
eating
cleaning
washing
drying
hunting
gathering
talking
playing
relaxing.







**And then doing it all over again.
Day in, day out.**





TURNING ROUTINES INTO EXPERIENCES

Behind every product is a story and that story starts with you. Your home is an expression of who you are and how you live. Our passion is creating better products that turn everyday routines into enjoyable experiences. We understand the dynamic nature of modern living. We deliver products that are adaptable, functional and durable as well as human. We don't make things that fit the space provided, we create products that fit the lives lived around them. Live life — we'll take care of the details.



DESIGN FOR REAL LIFE

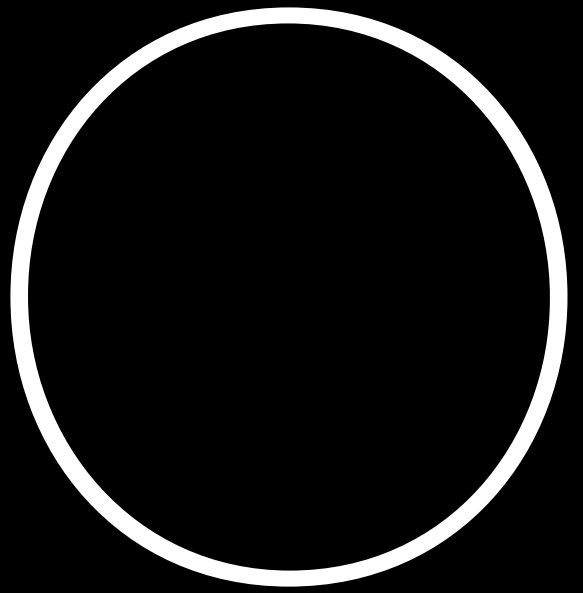
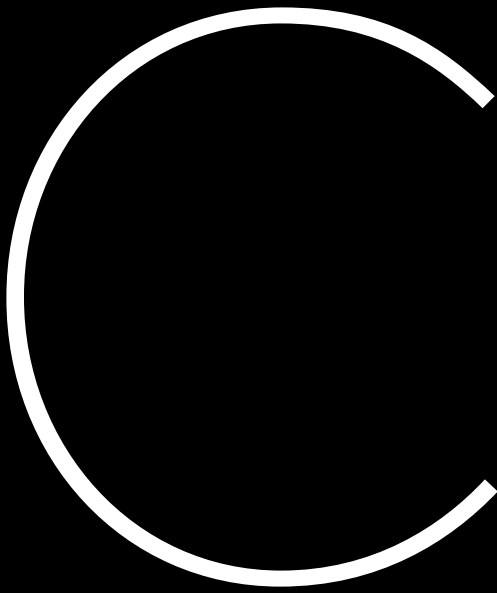
At Fisher & Paykel, we are curious about people—how they live, where they live, what they do and how they use things. This is where hidden insights wait to be uncovered. We are curious about not only the function and performance of our products, but also the emotional role they play in people’s lives. For us, design is not a self-serving goal—it is a human endeavour to make life a little bit better.

CONTENTS

Cook	18
The Social Kitchen	20
Built-in Ovens	22
Cooktops	28
Ranges	38
Ventilation Hoods	44
Cook Overview	48

Cool	54
ActiveSmart™ Technology	56
CoolDrawer™	58
CoolDrawer™ Series Features	62
Refrigerators	64
ActiveSmart™ Series Features	70
Cool Overview	72

Clean	78
DishDrawer™ Technology	80
DishDrawer™	82
DishDrawer™ Range Features	94
DishDrawer™ Overview	96



O

K



THE SOCIAL KITCHEN

The kitchen is the humble engine room in which we choose to live—where we create, socialize and enjoy the best life has to offer. Cooking is a social activity. We generally place the key appliances in what we consider to be logical places: the work triangle of cooktop, sink and refrigerator. But we no longer cook in straight lines. We don't cook on conveyor belts. Sometimes we assemble, sometimes we bake, sometimes we stir-fry and sometimes we boil. The work triangle limits our creativity. It's not just about efficiency; sometimes it's about fun. Too many cooks may spoil the broth or they may create a wonderful social and enjoyable meal. Let's reclaim the kitchen. Let's live outside the triangle.



BUILT-IN OVENS

Fisher & Paykel's Built-in Ovens are designed with the full range of cooking modes and temperatures, providing greater control and more flexibility. Each is designed to meet the needs of the most demanding cook, as well as provide core safety features including doors with multiple panes of glass and cooling systems that ensure the external surfaces remain cool to the touch. Roasting is an art as well as a science. The difference between rare and medium takes timing, intuition and a well-trained eye. Fisher & Paykel Built-in Ovens are programmed to quickly heat to a high temperature, before automatically lowering the temperature to deliver the perfect roast every time.

30" Built-in Double Oven

Fisher & Paykel large capacity ovens are visually impressive at 30" wide, they deliver outstanding performance and have innovative features that make it easy to cook for a crowd, be it family or friends.

1 Innovative

The latest in microprocessor control means you can count on this oven to reach the specified temperature quickly, and maintain it.

2 Convenient

The 10 cooking modes in both cavities can confidently cook any recipe or dish, with a special roast mode to sear the outside meat then slowly cook to the middle.

3 Ergonomic

Sliding telescopic oven shelves slide in and out effortlessly, while eight shelf positions give you a vast range of options for organizing the interior of the oven.

4 Intuitive

Illuminated halos surround the temperature and function dials giving great visual feedback.

5 Responsive

Heats to 350°F in less than ten minutes, and to 425°F in fifteen. The powerful 4400W broil locks in flavor and nutrients fast.

6 Precise

The AeroTech™ convection system guarantees consistent temperature throughout the oven.

7 Efficient

At 4 cu. ft. this oven is big enough to cook a turkey on one shelf with room for a large pan of roast vegetables on another.

8 Safe

Features cool touch doors that are made of four panes of glazed glass and its own cooling system to ensure externally it is safe to touch.



24" Built-in Single Oven

The Fisher & Paykel 24" Oven is designed with simply perfect cooking in mind. It is our latest European sized Built-in Oven, perfect where space is limited in apartments and condos. Its multi-function capability allows you a choice of roasting, warming, broiling or simply baking.

1 Innovative

Choose one of six cooking modes to confidently cook any recipe or dish and use the self-clean function to do the cleaning up for you.

2 Convenient

Simply remove the racking, set to the self-clean function and the oven will take care of any grease or grime, reducing it to ash that's easily wiped away with a cloth.

3 Efficient

A powerful 3000W broil gives you an even and fast result, locking in all the flavors and nutrients.

4 Intuitive

Each function is preset to the temperature you are likely to use, however these can be adjusted if desired.

5 Precise

An electronic thermostat controls temperature variation when cooking, ensuring consistent temperatures.

6 Safe

This oven features a cool-touch door with five panes of glass and a built-in cooling system to ensure it is safe to touch externally.





COOKTOPS

We cook to create. It's an art as well as a science and as much about feel as it is about control. Fisher & Paykel's cooktop family is designed to deliver choice and control. Whether your preference is gas, induction or electric, there is a full range of configurations and sizes to suit any cooking style. Each product has been designed to deliver complete control—high heat, low heat and easy cleanability.

CookSurface Cooktops

A revolution in cooking. Combining the superior performance of gas cooking and the convenience of a ceramic glass surface with retractable burners and pan supports.

1 Easy Clean

Sheer ceramic glass surface allows for easy cleaning after cooking—simply wipe and walk away.

2 Space Saver

Frameless gas cooktop with electronic control. World first—independently operated gas Aero™ burners and pan supports that retract virtually flush into the ceramic glass surface when not in use.

3 Ergonomic

Easily accessible and ergonomically designed three-in-a-row configuration.

4 Intuitive

Dial control with audio and visual feedback for precise linear flame control.

5 Responsive

Quiet glow ignition means quick flame with no spark and no struggling to ignite.

6 Precision

Uniquely designed burners ensure even heat distribution with a high setting and low turndown.

7 Efficient

Aero™ burners mix fan-forced air at lower settings to reduce peak temperatures for effective simmering.

8 Safety

Features a key lock as a safety precaution.









Gas on Steel Cooktops

With five burners, including simmer, rapid and up to a 20,000BTU wok burner, the gas on steel cooktop provides great cooking flexibility. Coupling the attractiveness of sleek stainless steel with the durability of cast iron trivets; the Gas on Steel supports the most avid chef.

1 Innovative

Our unique Innovalve™ technology allows you to adjust the flame with unprecedented 180 degree gas valve rotation. Most cooktops offer only 70 degree rotation (CG365DWACX1 only).

2 Convenient

Gas on Steel cooktops feature a wide range of burner sizes and power for everything from a slow simmer to an intense heat for steaks and stir-fries.

3 Responsive

Indicator lights show which burners are in use and alert you if the gas shuts down (CG365DWACX1 only).

4 Efficient

Durable, heavy-duty, continuous cast iron trivets are hard wearing for a long life.

5 Safe

For added safety, it features an automatic flame failure detector which cuts off the gas supply if the burner flame goes out.

6 Reliable

All Fisher & Paykel gas cooktops feature electronic ignition. They are quick, reliable and safe.





Induction Cooktop

Traditionally we cook by generating heat from one source, such as a flame, and conducting it to another. The Fisher & Paykel Induction Cooktops work on a different principle. The cooktop itself produces electromagnetic vibrations, which induce the pot or pan to generate its own heat. The results are shorter heat-up times, greater precision and a safer cooking surface.

1 Innovative

With a choice of eight different heat settings the Fisher & Paykel Induction Cooktop provides excellent control for the different food types you would cook, with almost instant response when the heat setting is altered.

2 Ergonomic

Soft-touch controls are simple to use and provide great precision. The cooktops are perfectly flat so the surface can be used as an extension of your preparation area.

3 Responsive

The PowerBoost function delivers instant, intense heat when you need it.

4 Safe

The cooktop will alert you if it's turned on without a pot or pan on it, and will switch itself off if you don't respond. The pan detection system will switch the cooktop off if the pan being used isn't suitable for induction cooking. The cooktop also features a key lock as an added safety precaution.

5 Eco-friendly

We use ceramic glass in the production of our Induction Cooktops. Our glass is eco-friendly, without any arsenic or heavy metals being used in the manufacturing process.

Electric Cooktop

Our Electric Cooktop has a number of built-in features that make cooking easier while giving you greater control.

1 Innovative

Five element sizes provide cooking flexibility, including SuperSimmer which offers you extremely low temperatures ideal for melting chocolate and delicate sauces.

2 Convenient

Flat ceramic surfaces allow for easy cleaning.

3 Ergonomic

The ceramic surface is perfectly flat so it can be used as an extension of your preparation area.

4 Intuitive

Easy-to-use and read, cylindrical dial controls, with two of the five elements offering dual sizes give you a choice of up to seven different cooking zones.

5 Responsive

This cooktop has exceptionally fast heating elements which provide precise temperature control from a rapid boil to an extremely low simmer.

6 Safe

After use, hot surface indicators glow until the surface is safe to touch.

7 Eco-friendly

We use ceramic glass in the production of our electric cooktops. Our glass is ecofriendly, without any arsenic or heavy metals being used in the manufacturing process.







RANGES

On the outside, style is a matter of taste. So we put a little chef on the inside that can't wait to impress. Fisher & Paykel Ranges are visually impressive and give you the flexibility to prepare several courses simultaneously. With extra-large ovens, combined with four or five-burner gas cooktops and finessed with clean lines in glass and stainless steel these ranges cookers will compliment any modern kitchen.

36" Range

Fisher & Paykel's 36" Gas Range has an extra large oven and five burner gas cooktop allowing the flexibility to cook several dishes at once. Styled with clean lines in glass and stainless steel, it will enhance the design of any kitchen.

1 Innovative

Professional performance, offering a choice of four cooking modes from Bake, Broil, Convection Bake, Defrost—perfect for any culinary requirements.

2 Convenient

The door and its inner pane of glass can be removed for easy, hassle-free cleaning and the storage drawer minimizes clutter for all oven accessories.

3 Ergonomic

Continuous trivets let you slide pots and pans without lifting them.

4 Precise

Clear, easy-to-use dials give you exceptional control over cooking temperatures.

5 Efficient

A powerful broil gives you a fast and even result, locking in all the flavors and nutrients.



24" Range

Fisher & Paykel 24" Ranges give you the flexibility to prepare several courses simultaneously. Available in Dual Fuel and Gas options. With clean lines in glass and stainless steel it will complement the style and elegance of any kitchen.

1 Innovative

Professional performance, offering up to six cooking modes from Fan Broil to traditional Bake (selected models only) —perfect for any culinary requirements.

2 Convenient

The door and its inner pane of glass can be removed for easy, hassle-free cleaning and the storage drawer minimizes clutter for all oven accessories.

3 Ergonomic

Continuous trivets let you slide pots and pans without lifting them.

4 Precise

Clear, easy-to-use dials give you exceptional control over cooking temperatures.

5 Efficient

A powerful broil gives you a fast and even result, locking in all the flavors and nutrients.





VENTILATION HOODS

Kitchen inspiration doesn't exist in a vacuum but simple and responsive extraction is always important. Built to perform, Fisher & Paykel's Ventilation Hoods effectively capture and eliminate cooking odors, vapor and steam. Each has been designed as the perfect partner product to our cooktops and features sleek glass with brushed stainless steel.

Fisher's Paykel



Ventilation Hoods

Fisher & Paykel Ventilation Hoods offer a selection of fan speeds and clever features that quietly and efficiently remove steam, smoke and lingering smells.

1 Convenient

An interior, wipeable plate makes cleaning easier. Multi-layered filters trap grease effectively. Designed for easy removal, the filters are effortless to clean and are dishwasher safe.

2 Responsive

The sleek touch control panel responds to the touch of your finger. Halogen lights provide superb illumination over the entire cooking surface. (HC36DTXB1)

3 Efficient

Odors can linger in the kitchen well after cooking is finished. The practical timer feature keeps the Ventilation Hood working for up to 15 minutes before it automatically turns itself off. (HC36DTXB1)

30" Built-in Ovens



1



2

①
OB30DDEPX2
30" Double Built-in Oven
H48 7/16" x W29 3/4" x D23 15/16"

②
OB30SDEPX2
30" Single Built-in Oven
H27 1/16" x W29 3/4" x D23 15/16"

24" Built-in Oven



1

①
OB24SDPX4
24" Single Built-in Oven
H24" x W24" x D23"

Microwave Ovens



1

①
CMOH-30SS
30" Over the Range Microwave
H16 1/2" x W29 3/16" x D15 3/2"

**Microwave Ovens
Cont.**



2



3

2

MO-24SS-2
24" Traditional Microwave
H13 3/8" x W24" x D19 1/8"

3

CMO-24SS-2
24" Convection Microwave
H14 7/8" x W24 5/8" x D19"

Microwave Trim Kits



1



2

1

MOTTK-FP
H17 1/6" x W24" x D24 1/6"
For use with MO-24SS-2
Traditional Microwave

2

CMOTTK-FP
H19 3/6" x W25 3/4" x D20"
For use with CMO-24SS-2
Convection Microwave

Ranges



1

1

OR36SDBGX2
36" Gas Range
H35 7/6" — 37 13/32" x W35 7/8"
x D23 3/32"

COOK

Ranges Cont.



2



3

2

OR24SDBGX2
24" Gas Range

H35⁷/₁₆" — 36⁷/₃₂" x W23⁷/₈"
x D24⁵/₁₆"

3

OR24SDPWGX2
24" Dual Fuel Range

H35¹⁷/₃₂" — 36⁷/₃₂" x W23⁷/₈"
x D24¹¹/₁₆"

Warming Drawer



1

1

OD30WDX2
30" Warming Drawer

H10¹/₂" x W29¹/₁₆" x D25¹/₁₆"

CookSurface Cooktops



1

1

CG363MLDNGB1
CookSurface Deep

H3¹/₂" x W35¹/₂" x D20⁷/₁₆"

**CookSurface Cooktops
Cont.**



②

②
CG363MLNGB1
CookSurface
H3 1/2" x W35 1/2" x D16 1/8"

Gas on Steel Cooktops



①

①
CG365DWACX1
36" 5 Burner Gas Cooktop
H3" x W36" x D21 1/2"



②

②
CG365CWACX1
36" 5 Burner Gas Cooktop
H2 3/16" x W36" x D21 1/2"

Induction Cooktop



①

①
CI365DTB1
36" 5 Zone Induction Cooktop
H4 3/16" x W35 7/16" x D20 7/16"

COOK

Electric Cooktop



1

①

CE365DBX1

36" 5 Element Electric Cooktop

H4¼" x W35⅞" x D20⅞"

Ventilation Hood



1

①

HC36DTXB1

36" Wall Ventilation Hood

H25" - 40¼" x W35⅞" x D19⅞"

Downdraft



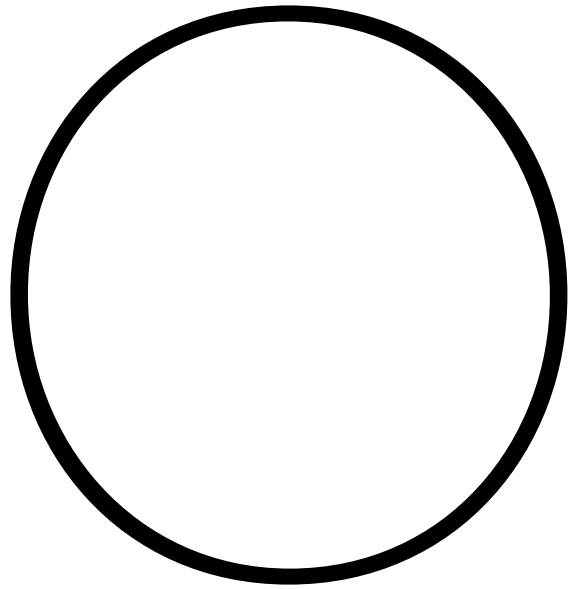
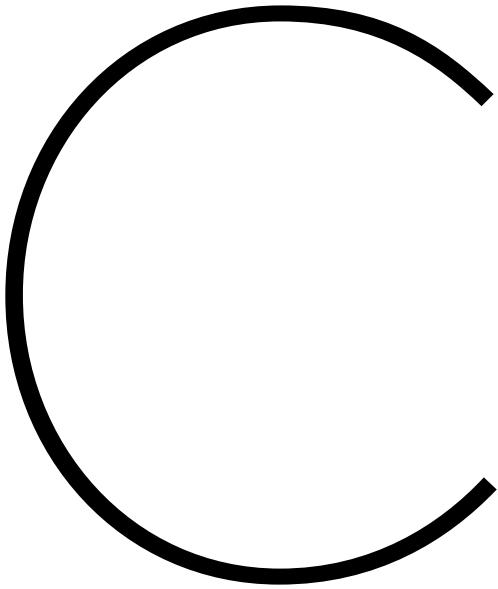
1

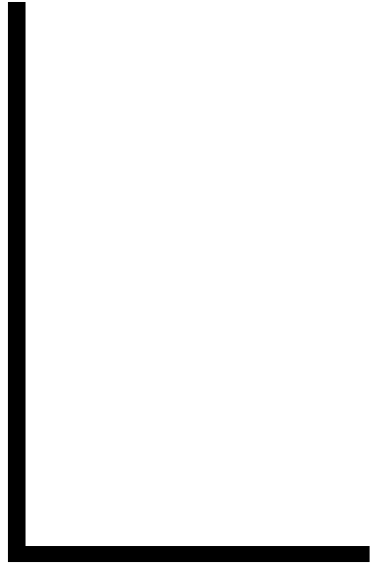
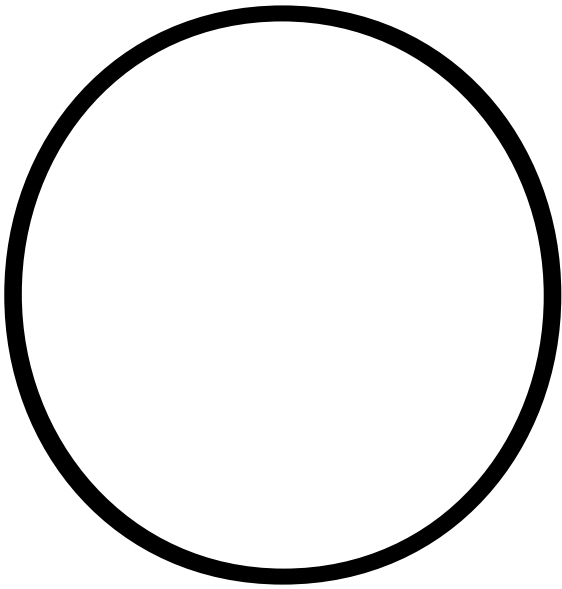
①

DD-36SS

36" Downdraft

H8¼" x W36" x D2⅞"







WE CONTROL THE WEATHER

At the heart of Fisher & Paykel's Refrigerators is the ability to sense and respond to daily use in an intelligent way. The combination of temperature sensors with smart electronics and variable-speed fans creates a controlled environment and optimum temperature for better food care. We call it ActiveSmart™ Technology. Your refrigerator door is the most used door in your home and, every time it is opened, the temperature changes around your food. The challenge is maintaining a consistent and controlled environment despite ongoing changes inside and outside the refrigerator. ActiveSmart™ achieves this through constantly monitoring how you and your family use your refrigerator, adjusting airflow to maintain a stable and even temperature. So despite highs, lows and occasional gusty winds, when it comes to your refrigerator, let ActiveSmart™ control the weather to deliver better food care.



ACTIVESMART™
TECHNOLOGY



Fischer Paykel



CoolDrawer™

The CoolDrawer™ has been designed to change from a refrigerator to freezer at the touch of a button. It is built on the concept of distributed refrigeration, combining ActiveSmart™ Technology with a drawer-based design that can be placed anywhere in the kitchen, home or entertainment area. The CoolDrawer™ provides five temperature settings to deliver total flexibility – freezer, chill, fridge, pantry and wine modes, merging intelligence with convenience.

1 Innovative

The multi-temperature CoolDrawer™ is a world-first in refrigeration technology.

2 Convenient

Five temperature settings can be tailored to the needs of your food: freezer, chill, fridge, pantry and wine mode, combining intelligence with convenience.

3 Ergonomic

There is easy access at waist height, with smooth-running drawers.

4 Intuitive

The easy-to-use electronic interface can change the CoolDrawer™ temperature at the touch of a button.

5 Flexible

This innovation complements your existing refrigeration and enhances your kitchen design to suit your lifestyle.

6 Precise

Highly engineered finishing ensures a 1/8" clearance between front panels, as demanded by professional cabinetmakers.



Fisher & Paykel



CoolDrawer™ Features

1 Freezer Mode

This mode is ideal for general frozen food storage with the added flexibility of three freezer functions—bottle chill, fast freeze and deep freeze. Freezer Mode is set at -0°F for longer-term storage of frozen items.



2 Chill Mode

Chill Mode sets the compartment to a temperature perfect for highly perishable meats, poultry and seafood. For these types of food it is ideal to store them at a temperature as close to freezing as possible to retain their vital freshness. Chill Mode sets the compartment at 31°F, just above the freezing temperature for meat.



3 Fridge Mode

This mode provides the ideal storage for most foods requiring normal refrigeration, such as fruit and vegetables, dairy products, processed meats and drinks. The compact upper storage tray is a perfect place for sensitive foods such as peaches, cherries, cheeses and deli items; the tall bin is ideal for large bottles and containers.



4 **Pantry Mode**

This is designed for foods that require a cool, dark place for storage, such as tropical fruits, tomatoes, bananas, bread and cereals. Pantry Mode provides a solution for all those foods that you didn't previously know what to do with and have always resorted to storing on the counter top or in the cupboard. This setting offers a stable storage environment at 54°F, making it ideal for sensitive foods.



5 **Wine Mode**

Using the innovative Wine Mode, connoisseurs can take advantage of special settings that preserve and present wine at its optimum temperature. This mode is ideal for long-term storage of all wine at 54°F and offers two temperature selections for short-term storage.





Counter Depth French Door

Our French Door refrigerators have been designed to maximize space as well as access. They bring theatre into the kitchen with wide-open shelf spaces and unobstructed access to wide shelves. Below, a spacious full-extension drawer and storage bins provide ergonomic solutions for freezer items.

1 Ice & Water

Ice & Water models deliver chilled, filtered water automatically. The slimline water touch pad and angled water delivery mean that just about any size or shape of pitcher can be filled. The icemaker automatically delivers ice into a dedicated bin and can be easily customized to store different volumes.

2 Humidity Control System

Fruit and vegetable quality can be maintained at the right humidity and temperature level. The Humidity Control System, together with the cool and consistent temperature delivered by ActiveSmart™ Technology, creates the perfect microclimate in each produce bin.

3 Ergonomic

Uninterrupted wide-open spaces and numerous shelving options enable easy customization for different uses. Quality extension runners allow you to slide out storage bins and trays fully for easy loading and unloading. The storage bins are removable, making food preparation and cleaning easier.

4 Efficient

Alarms on the refrigerator and freezer alert you if the door has been left open. Adaptive defrost means that there is no need for 'vacation mode' settings. The microprocessor will select the best time to defrost based on how the appliance is being used. When you are away, it will recognize lower levels of use and defrost less often, therefore requiring less energy.

5 Safe

Secure glass shelving contains drips and spills and prevents them from falling on items stored below.

Bottom Freezer Refrigerators

These refrigerators have been designed for what you use most often. The refrigerator compartment enables easy access to everyday items. It includes ergonomic glass shelves and storage bins that can be configured to suit every lifestyle. The lower drawer-based freezer ensures that long-term storage items are just as easy to access.

1 Ice & Water

Ice & Water models deliver chilled, filtered water automatically. The slimline water touch pad and angled water delivery mean that just about any size or shape of pitcher can be filled. The icemaker automatically delivers ice into a dedicated bin and can be easily customized to store different volumes.

2 Humidity Control System

Fruit and vegetable quality can be maintained at the right humidity and temperature level. The Humidity Control System, together with the cool and consistent temperature delivered by ActiveSmart™ Technology, creates the perfect microclimate in each produce bin.

3 Ergonomic

Uninterrupted wide-open spaces and numerous shelving options enable easy customization for different uses. Quality extension runners allow you to slide out storage bins and trays fully for easy loading and unloading. The storage bins are removable, making food preparation and cleaning easier.

4 Efficient

Alarms on the refrigerator and freezer alert you if the door has been left open. Adaptive defrost means that there is no need for 'vacation mode' settings. The microprocessor will select the best time to defrost based on how the appliance is being used. When you are away, it will recognize lower levels of use and defrost less often, therefore requiring less energy.

5 Safe

Secure glass shelving contains drips and spills and prevents them from falling on items stored below.



SURROUND KIT

The refrigeration Surround Kit for our RF170, RF135 and E522B flat door models helps create a seamless connection between your appliance and its surrounding cabinetry. Available in a stainless-steel finish, the kit frames and complements the product. A Joiner Kit can also be used to join two refrigerators. For more information, visit fisherpaykel.com.



ActiveSmart™ Features

1 Humidity Control System

The Humidity Control System, together with the cool and consistent temperature delivered by ActiveSmart™ Technology, creates the perfect microclimate in each produce bin. The humidity control lid protects fresh produce from drier refrigerator air, keeping fruit and vegetables fresher for longer. The lid traps the excess water vapor produced and channels it away for evaporation. Two humidity control slides offer settings for both fruit and vegetables, ensuring optimal moisture and freshness is retained.



2 Variable-speed Fans

Independent variable-speed fans control airflow through multiple air ducts in the refrigerator and freezer. This means greater control when new items are introduced to either compartment as well as rapid chill and freezing to ensure food safety and maintain food quality.



3 Temperature and Door Sensors

Sensors constantly record changes to fridge and freezer compartments, including when the doors are opened and when new items are introduced. This information is continuously communicated to the microprocessor which, in conjunction with the variable-speed fans and air ducts, ensures that the temperature in each compartment is kept constant.



4 Adaptive Defrost

Alarms on the refrigerator and freezer alert you if the door has been left open. Adaptive defrost means that there is no need for 'vacation mode' settings. The microprocessor will select the best time to defrost based on how the appliance is being used. When you are away, it will recognize lower levels of use and defrost less often, therefore requiring less energy.



5 Filtered Ice & Water

Unique Ice & Water models have fully integrated in-door water dispensing and internal icemaking that do not use any space in your refrigerator, providing maximum food storage. The slimline water touch pad and angled water delivery means almost any size or shape of pitcher can be filled with chilled, filtered water. The internal icemaker is housed above the freezer and can fill various-sized bins for customized ice storage.



6 Ergonomic Design

Uninterrupted wide-open spaces and numerous shelving options enable easy customization for different uses. Secure glass shelving contains drips and spills and prevents them from falling on items stored below. Quality extension runners allow you to slide out storage bins and trays fully for easy loading and unloading. The storage bins are removable, making food preparation and cleaning easier.



COOL

CoolDrawer™



①

①

RB36S25MKIW1
36" CoolDrawer™

H25 3/16" x W33 1/16" x D21 1/16"
(excl. drawer panel, incl. power cord)

Optional Pre-finished Door

H18" x W35" x D1 1/16"

Ice & Water
French Door
Refrigerators



①



①

RF195ADUX1

H70" x W35 5/8" x D27 3/8"
(Dimension excl. handles)
Flat door

②

RF170ADUX1

H67 1/2" x W31 1/8" x D27 3/8"
(Dimension excl. handles)
Flat door



②



French Door Refrigerator



①

①
RF170ADX1
 H67 ½" x W31 ¼" x D27 ¾"
 (Dimension excl. handles)
 Flat door

Ice & Water Bottom Freezer Refrigerators



①

①
RF175WDRUX1,
RF175WDLUX1
 H70" x W32 ¾" x D27 ¾"
 (Dimension excl. handles)
 Flat door

②
RF175WCRUX1,
RF175WCLUX1
 H70" x W32 ¾" x D27 ¾"
 (Dimension excl. handles)
 Curved door



②

**Ice & Water
Bottom Freezer
Refrigerators
Cont.**



3

③
**RF170WDRUX1,
RF170WDLUX1**
H67 1/2" x W31 1/8" x D27 3/8"
(Dimension excl. handles)
Flat door

④
**RF135BDRUX1,
RF135BDLUX1**
H67 1/2" x W25" x D27 3/8"
(Dimension excl. handles)
Flat door

⑤
**E522BRXU2,
E522BLXU2**
H67 1/8" x W31 1/8" x D28 1/8"
(Dimension excl. handles)
Curved door



4



5

Bottom Freezer Refrigerators



①



①
RF175WDRX1,
RF175WDLX1
 H70" x W32 3/4" x D27 3/8"
 (Dimension excl. handles)
 Flat door



②



②
RF175WCRX1,
RF175WCLX1
 H70" x W32 3/4" x D27 3/8"
 (Dimension excl. handles)
 Curved door



③



③
RF170WDRX1,
RF170WDLX1
 H67 1/2" x W31 1/8" x D27 3/8"
 (Dimension excl. handles)
 Flat door

**Bottom Freezer
Refrigerators
Cont.**



4

④
**RF175WCRW1,
RF175WCLW1**
H70" x W32 3/4" x D27 3/4"
(Dimension excl. handles)
Curved door

⑤
**RF135BDRX1,
RF135BDLX1**
H67 1/8" x W31 1/8" x D28 1/8"
(Dimension excl. handles)
Flat door

⑥
**E522BRX2,
E522BLX2**
H66 3/4" x W31 1/8" x D28 1/8"
(Dimension excl. handles)
Curved door



5



6

Bottom Freezer Refrigerators
Cont.



7

⑦
E522BRE2
E522BLE2
H66 3/4" x W31 1/8" x D28 1/8"
(Dimension excl. handles)
Curved door

Side by Side Refrigerators



1

①
RX216DT7XV2
H70" x W35 5/8" x D27 3/8"
(Dimension excl. handles)
Flat door

②
RX216CT4XV2
H70" x W35 5/8" x D27 3/8"
(Dimension excl. handles)
Curved door



2

C

L

E

E
E
E

A

N



WE LIVE OUT OF DRAWERS

Fisher & Paykel DishDrawer™ dishwashers are designed to make doing the dishes easier than ever before. The combination of a drawer-based system with smart electronics and independent wash technology delivers unparalleled cleaning and better ergonomics. We call it DishDrawer™ Technology. Each of our DishDrawer™ products is a self-contained dishwasher with technology that allows traditional double-format or separate modules to be configured at an ergonomic height, allowing complete design freedom. Wide, tall, double and single-drawer options allow you to choose the combination that works best for your lifestyle. These dishwashers can be concealed easily behind kitchen cabinetry to seamlessly blend in with your kitchen and the ergonomic design minimizing bending by requiring less movement to open, load and close.



DISHDRAWER™
TECHNOLOGY







DishDrawer™ Wide

Designed for the whole family, the DishDrawer™ Wide dishwasher compliments the Fisher & Paykel CoolDrawer™ to deliver a total kitchen solution. Providing space for nine place settings, the DishDrawer™ Wide is suited to medium-sized households and can be partnered with additional drawers to cater for larger families.

1 Intuitive

Before washing begins, detergent passes through the world's first flow-through dispenser to ensure it is thoroughly dissolved, providing a faster, more hygienic wash with no hint of detergent burn.

2 Convenient

You can fit large plates of up to 12 $\frac{7}{16}$ " in diameter. Racking is designed to hold long utensils and can fold away to free up space.

3 Ergonomic

The DishDrawer™ is as easy to open and close as a kitchen drawer and loading and unloading require minimal bending. Easy-to-use folding tines allow you to place large pots, platters and bowls into the drawer with ease.

4 Efficient

A choice of nine wash programs, including Eco options to minimize water and energy usage.

5 Safe

For added safety, a key lock and child lock are included.

6 Eco-friendly

This dishwasher uses only 3.5 gallons of water on a Normal Eco wash program and is ENERGY STAR rated CEE tier 1 for energy efficiency and cleaning and drying performance.

DishDrawer™ Tall

This model is designed for extra headroom. The increased drawer height fits 13" plates, making cleaning up after dinner parties a breeze. The DishDrawer™ Tall dishwasher can also easily accommodate oversized platters and extra-long stemmed glasses.

1 Intuitive

Before washing begins, detergent passes through the world's first flow-through dispenser to ensure it is thoroughly dissolved, providing a faster, more hygienic wash with no hint of detergent burn.

2 Convenient

This model is taller than the standard DishDrawer™ dishwasher, so you can fit in large plates up to 13" in diameter. Racking is designed to hold long utensils and can fold away to free up space.

3 Ergonomic

The DishDrawer™ is as easy to open and close as a kitchen drawer and loading and unloading requires minimal bending. Easy-to-use folding tines allow you to place large pots, platters and bowls into the drawer with ease.

4 Efficient

A choice of nine wash programs, including Eco options to minimize water and energy usage.

5 Safe

For added safety, a key lock and child lock are included.

6 Eco-friendly

This dishwasher uses only 2 gallons of water on a Normal Eco wash programme and is ENERGY STAR rated CEE tier 1 for energy efficiency and cleaning and drying performance.



DishDrawer™ Double

Designed to fit existing kitchen cabinetry, the DishDrawer™ Double dishwasher has comparable dimensions to those of traditional dishwashers but provides the benefit of two independent drawers for added convenience and ergonomics.

1 Innovative

This dishwasher is of world-first design and configuration.

2 Convenient

The DishDrawer™ Double dishwasher lets the user match the wash program to the exact load type in each drawer.

3 Ergonomic

The DishDrawer™ is as easy to open and close as a kitchen drawer and loading and unloading require minimal bending. Easy-to-use folding tines allow you to place large pots, platters and bowls into the drawer with ease.

4 Intuitive

Before washing begins, detergent passes through the world's first flow-through dispenser to ensure it is thoroughly dissolved, providing a faster, more hygienic wash with no hint of detergent burn.

5 Efficient

This model has the choice of nine wash programs, including Eco options to minimize water and energy usage.

6 Safe

For added safety, a key lock and child lock are included.

7 Eco-friendly

This dishwasher uses only 2 gallons of water per drawer on a Normal Eco wash programme and is ENERGY STAR rated CEE tier 1 for energy efficiency and cleaning and drying performance.





DishDrawer™ Single

Designed for compact kitchens, the DishDrawer™ Single dishwasher is an ideal solution for kitchens where space is a premium. It can also be installed either side of a sink for convenient ergonomic loading and unloading.

1 Innovative

This dishwasher is of world-first design and configuration.

2 Convenient

The DishDrawer™ dishwasher lets the user match the wash program to the exact load type in each drawer.

3 Ergonomic

The DishDrawer™ is as easy to open and close as a kitchen drawer and loading and unloading requires minimal bending. Easy-to-use folding tines allow you to place large pots, platters and bowls into the drawer with ease. Single drawers can be placed in the most convenient locations, minimizing unnecessary bending.

4 Intuitive

Before washing begins, detergent passes through the world's first flow-through dispenser to ensure it is thoroughly dissolved, providing a faster, more hygienic wash with no hint of detergent burn.

5 Efficient

This model has the choice of nine wash programs, including Eco options to minimize water and energy usage.

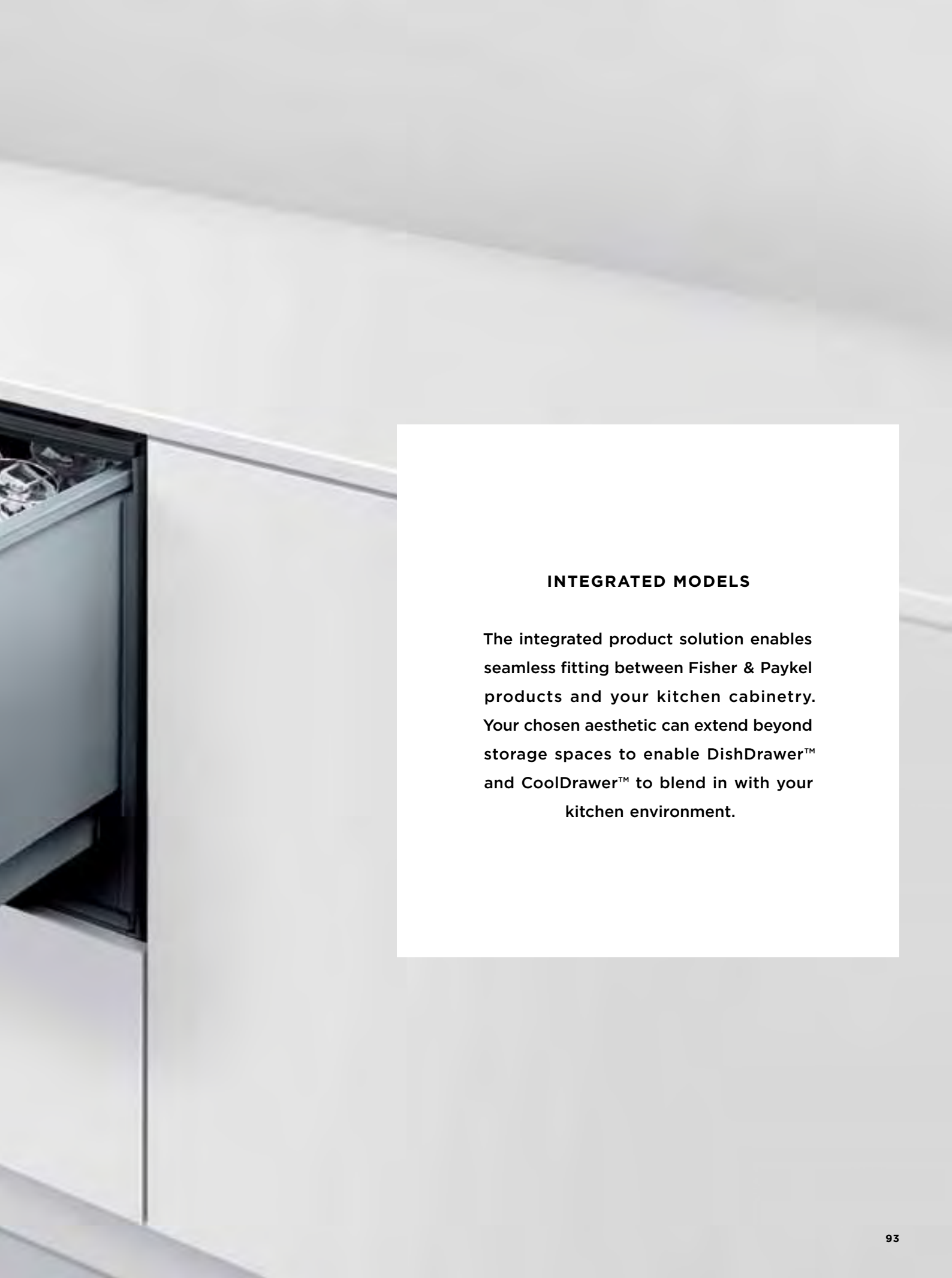
6 Safe

For added safety, a key lock and child lock are included.

7 Eco-friendly

This dishwasher uses only 2 gallons of water on a Normal Eco wash programme and is ENERGY STAR rated CEE tier 1 for energy efficiency and cleaning and drying performance.





INTEGRATED MODELS

The integrated product solution enables seamless fitting between Fisher & Paykel products and your kitchen cabinetry. Your chosen aesthetic can extend beyond storage spaces to enable DishDrawer™ and CoolDrawer™ to blend in with your kitchen environment.

DishDrawer™ Features

1 Independent Drawers

An independent drawer-based dishwashing platform is part of what makes the DishDrawer™ dishwasher unique. At countertop height, drawers glide open for easy access, visibility and better ergonomics. In DishDrawer™ Double dishwashers, both drawers operate independently so different wash cycles can operate simultaneously to accommodate a variety of loads. Glasses, pots and pans can be washed in separate drawers at the same time.



2 SmartDrive™ Wash Mechanism

The unique brushless DC motor acts as both a wash pump and a drain pump, which means fewer moving parts and greater reliability. The pump brings water into the spray arm, which rotates at different speeds depending on the wash cycle selected, to deliver a superior clean and better dish care. In the DishDrawer™ Wide dishwasher, two independent spray arms force water throughout the tub, ensuring maximum efficiency and ultimate wash performance.



3 Nine Wash Options

All DishDrawer™ dishwashers feature nine wash programs: Rinse, Fast Eco, Fast, Delicate Eco, Delicate, Normal Eco, Normal, Heavy Eco, Heavy. The range of settings enables the DishDrawer™ dishwasher to wash everything from fine glass and crystal to heavily soiled pots and pans at the touch of a button. Primary and secondary controls provide a simple interface for program selection and operation, while the 'delay' start setting means the dishes can be done when it's most convenient.



4 Flow-through Detergent Dispenser

The DishDrawer™ dishwasher detergent dispenser ensures that undissolved detergent does not enter into the tub; instead, it is mixed as the machine fills with water. This not only cleans each load better but also reduces the possibility of damaging delicate items such as aluminum, cutlery or porcelain glazes.



5 Superior Filtration

One of the challenges in all dishwashers is a robust filter system that removes debris and avoids blocking. Together, the kidney filter and overmolded filter plate create a firm seal to ensure that debris does not enter the wash mechanism and cause backflow. It is designed to be removable for easy and hygienic cleaning.



6 Adjustable Racking System

The DishDrawer™ dishwasher includes a range of flexible racking options. The cutlery basket can be customized for different utensils. Pitch-adjustable folding tines allow them to be folded flat to accommodate a full load of pots or folded upwards to hold glassware. Pitch-adjustable racks can accommodate normal plates or simply slide away; the rack can also stack deep bowls. Wine-glass holders ensure that short and long stemmed glasses are secure throughout the wash. Added retainer clips are ideal for holding chopping boards in position.



7 Safety Features

The DishDrawer™ dishwasher incorporates unique safety features such as a child lock which both locks the drawer to prevent opening and disables the buttons. In addition, it includes three-stage flood protection: the high-strength hose withstands water pressure several times greater than normal, overfill detection cuts the water supply if limits are exceeded and the back-up switch activates the drain pump to remove any excess water.



**DishDrawer™
Wide Dishwashers**



①



②

①

DD36SDFTX2

H18 1/16" x W35 1/4" x D22 1/2"

②

DD36ST12

H18 1/16" x W33 1/16" x D22 1/2"

**DishDrawer™
Tall Double Dishwashers**



①



②

①

DD24DDFTX7

H34 – 36 3/8" x W23 9/16" x D22 1/2"

②

DD24DT17,

DD24DHT17

H34 – 36 3/8" x W23 9/16" x D22 1/2"

③

DD24DCTX7,

DD24DCHTX7

H34 – 36 3/8" x W23 9/16" x D22 15/16"

④

DD24DCTB7

H34 – 36 3/8" x W23 9/16" x D22 15/16"



③



④

**DishDrawer™
Tall Double Dishwashers
Cont.**



5

⑤
DD24DCTW7
H34 – 36 3/8" x W23 3/8" x D22 1/8"

**DishDrawer™
Tall Single Dishwashers**



1



2



3



4



5

①
DD24SDFTX7
H18 1/8" x W23 3/8" x D22 1/2"

②
**DD24STI7,
DD24SHTI7**
H17 7/8" – 18 1/8" x W23 3/8" x D22 1/2"

③
**DD24SCTX7
DD24SCTX7**
H17 7/8" x W23 3/8" x D22 1/8"

④
DD24SCTB7
H17 7/8" x W23 3/8" x D22 1/8"

⑤
DD24SCTW7
H17 7/8" x W23 3/8" x D22 1/8"

DishDrawer™
Double Dishwashers



1



2



3



4



5

①
DD24DDFX7
H32 5/16" - 34 5/16" x W23 5/16" x D22 1/4"

②
DD24DI7
H32 5/16" - 34 5/16" x W23 5/16" x D22 1/4"

③
DD24DCX7
H32 5/16" - 34 5/16" x W23 5/16"
x D22 1 5/16"

④
DD24DCB7
H32 5/16" - 34 5/16" x W23 5/16"
x D22 1 5/16"

⑤
DD24DCW7
H32 5/16" - 34 5/16" x W23 5/16"
x D22 1 5/16"

DishDrawer™
Single Dishwashers



①



②



③



④



⑤

①

DD24SDFX7

H16 1/8" x W23 9/16" x D22 1/2"

②

DD24SI7

H16 1/8" x W23 9/16" x D22 1/2"

③

DD24SCX7

H16 1/8" x W23 9/16" x D22 15/16"

④

DD24SCB7

H16 1/8" x W23 9/16" x D22 15/16"

⑤

DD24SCW7

H16 1/8" x W23 9/16" x D22 15/16"

SPECIFICATIONS

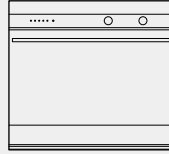
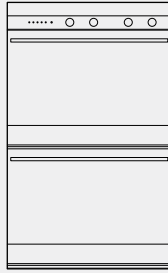
Cook	102
Built-in Ovens	104
Companion Products	106
Freestanding Cookers	108
Cooktops	110
Rangehoods	113
Oven Functions	114
Cook Dimensions	116
Built-in Ovens	116
Companion Products	117
Freestanding Cookers	120
Cooktops	121
Rangehoods	124

Cool	126
CoolDrawer™	128
French Door Refrigerator	129
Ice & Water Refrigerators	130
Bottom Freezer Refrigerators	131
Side by Side Refrigerators	137
Cool Dimensions	138
CoolDrawer™	138
French Door Refrigerator	139
Bottom Freezer Refrigerators	139
Side by Side Refrigerators	142

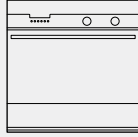
Clean	144
DishDrawer™ Wide Dishwashers	146
DishDrawer™ Tall Dishwashers	147
DishDrawer™ Double Dishwashers	150
DishDrawer™ Single Dishwashers	151
Clean Dimensions	154
DishDrawer™ Wide Dishwashers	154
DishDrawer™ Tall Dishwashers	155
DishDrawer™ Double Dishwashers	158
DishDrawer™ Single Dishwashers	159

COOK

COOK

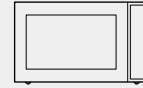
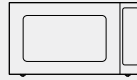
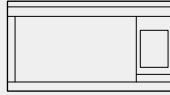


	30" Double Built-in Oven	30" Single Built-in Oven
Type of appliance	OB30DDEPX2	OB30SDEPX2
Model no.	OB30DDEPX2	OB30SDEPX2
Finish	Stainless Steel Designer Handle	Stainless Steel Designer Handle
Dimensions	H48 7/16" x W29 3/4" x D23 1/16"	H27 1/16" x W29 3/4" x D23 1/16"
Total capacity	4 + 4 cu.ft	4 cu.ft
Shelf positions	8 per cavity	8
Oven functions	10 + Self Clean	10 + Self Clean
Aero™ Bake	●	●
Aero™ Broil	●	●
Aero™ Pastry	●	●
Bake	●	●
Broil	●	●
Maxi Broil	●	●
Pastry Bake	●	●
Roast	●	●
TrueAero™	●	●
Warm	●	●
Self Clean	●	●
Performance		
Broil	4400W	4400W
AeroTech™ cooking system	●	●
Cleaning		
Acid resistant graphite enamel	●	●
Self clean	●	●
Removable shelf runners	●	●
Removable oven door/s	●	●
Safety		
Glazed door	Cool touch quadruple glazed	Cool touch quadruple glazed
Door and cavity cooling system	●	●
Non-tip shelves	●	●
Control panel key lock	●	●
Catalytic venting system	●	●
Controls		
Electronic clock	●	●
Automatic cooking/minute timer	●	●
Electronic temperature control	●	●
Illuminated halo dials	●	●
Halogen lights	3 x 20W per cavity	3 x 20W
Sabbath mode	●	●
Power requirements		
Supply voltage	120-240V	120-240V
Supply frequency	60Hz	60Hz
AMP draw	38.3A	19.4A
Accessories		
Telescopic sliding runners	5 sets	3 sets
Two piece anti-splatter broil system	2	1
Cooking probe	1	1
Warranty	1 year	1 year



Type of appliance	24" Single Built-in Oven
Model no.	OB24SDPX4
Finish	Stainless Steel Designer Handle
Dimensions	H24" x W24" x D23"
Total capacity	2 cu.ft
Shelf positions	4
Oven functions	6 + Self Clean
Bake	●
Convection Bake	●
Broil	●
Convection Broil	●
Convection Double Broil	●
Defrost	●
Self Clean	●
Performance	
Broil	3000W
Convection cooking	●
Cleaning	
Acid resistant graphite enamel	●
Self clean	●
Removable shelf runners	●
Removable oven door	●
Safety	
Glazed door	Cook touch 5 pane glazed
Door and cavity cooling system	●
Controls	
Electronic clock	●
Automatic cooking/minute timer	●
Power requirements	
Supply voltage	120-240V
Supply frequency	60Hz
AMP draw	12.9A
Accessories	
6 position wire side racks	1 set
Telescopic sliding runners	2 sets
Oven shelf	1
Step down oven shelf	1
Broil pan + broil rack	1
Glass baking tray	1
Warranty	1 year

COOK

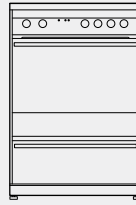
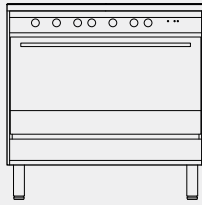


Type of appliance	30" Over the Range Microwave	24" Traditional Microwave	24" Convection Microwave
Model no.	CMOH-30SS	MO-24SS-2	CMO-24SS-2
Finish	Stainless Steel	Stainless Steel	Stainless Steel
Dimensions	H16 1/2" x W29 1/16" D15 3/32"	H13 3/8" x W24" x D19 1/8"	H14 7/8" x W24 3/8" x D19"
Total capacity	1.1 cu.ft	2.0 cu.ft	1.5 cu.ft
Cooking programs			
12 Compu Cook	●		●
Compu Defrost	●	●	●
Sensor Cook Settings	8	13	10
Reheat	●	●	●
Popcorn	●	●	●
Keep Warm		●	
Performance			
Microwave	850W	1200W	900W
Convection element	1400W		1450W
Cleaning			
Sealed easy clean interior	●	●	●
Removable carousel	●	●	●
Controls			
Easy to read display	●	●	●
16 digit display		●	
7 digit display	●		●
2 color display	●	●	●
Power requirements			
Supply voltage	120V	120V	120V
Supply frequency	60Hz	60Hz	60Hz
AMP draw	15A	15A	15A
Accessories			
Baking racks	2		2
Matching trim kit	N/A	MOTTK-FP 70902	CMOTTK-FP 70901
Warranty	1 year	1 year	1 year

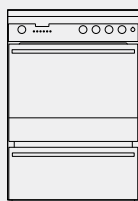


Type of appliance	30" Warming Drawer
Model no.	OD30WDX2
Finish	Stainless Steel Designer Handle
Dimensions	H10 1/2" x W29 1/8" x D25 1/8"
Total capacity	1.6 cu.ft
Number of 11" standard size plates	6
Performance	
Proof	90-110°F
Low	140-170°F
Medium	170-200°F
High	200-250°F
Moist & Crisp setting	●
Power output	500W
Power requirements	
Supply voltage	120V
Supply frequency	60Hz
AMP draw	15A
Warranty	1 year

COOK

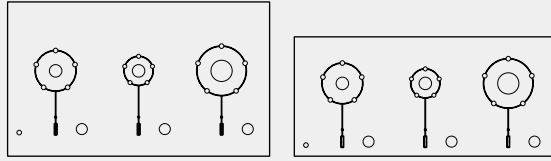


Type of appliance	36" Gas Range	24" Gas Range
Model no.	OR36SDBGX2	OR24SDMBGX2
Finish	Stainless Steel Designer Handle	Stainless Steel Designer Handle
Dimensions	H35 ⁷ / ₁₆ "-37 ¹ / ₃₂ " x W35 ⁷ / ₈ " x D23 ³ / ₃₂ "	H35 ⁷ / ₁₆ "-36 ⁷ / ₃₂ " x W23 ⁷ / ₈ " x D24 ⁵ / ₆₄ "
Total capacity	4 cu.ft	2.5 cu.ft
Shelf positions	3	3
Burners	5	4
Oven functions		
Bake	●	●
Convection Bake	●	●
Broil	●	●
Defrost	●	●
Burner ratings (using natural gas)		
Auxiliary burner		3,500BTU
Semi-rapid burner	6,000BTU	6,000BTU
Triple ring wok burner	12,000BTU	12,000BTU
Dual burner	2,800-16,000BTU	
Performance		
Broil	15,000BTU	8,500BTU
Bake	21,000BTU	13,000BTU
Electronic ignition	●	●
LPG/Natural gas compatible	●	●
Cast iron trivets	●	●
Cleaning		
Acid resistant graphite enamel	●	●
Removable oven door	●	●
Removable inner door glass	●	●
Safety		
Glazed door	Cool touch double glazed	Cool touch double glazed
Door and cavity cooling system	●	●
Non-tip shelves	●	●
Anti-tilt bracket	●	●
Flame failure	●	●
Cooling fan warning light	●	●
Controls		
Electronic clock	●	●
Automatic cooking/minute timer	●	●
Power requirements		
Supply voltage	120V	120V
Supply frequency	60Hz	60Hz
AMP draw	0.575A	0.1A
Accessories		
Broiling pan + rack	1	1
Step down oven shelf	2	2
Wok stand	1	1
LPG conversion kit	1	1
Warranty	1 year	1 year

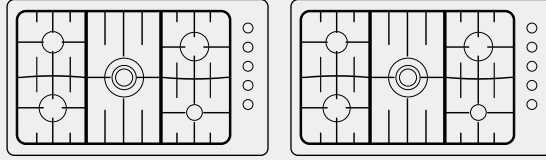


Type of appliance	24" Dual Fuel Range
Model no.	OR24SDPWGX2
Finish	Stainless Steel Designer Handle
Dimensions	H35 ¹ / ₃₂ "-36 ⁷ / ₃₂ " x W23 ⁷ / ₈ " x D24 ¹ / ₆₄ "
Total capacity	2 cu.ft
Shelf positions	4
Burners	4
Oven functions	
Bake	●
Fan Forced	●
Broil	●
Fan Broil	●
Ventilated Double Broil	●
Defrost	●
Self Clean	●
Burner ratings	
Auxiliary burner	3,500BTU
Semi-rapid burner	6,000BTU
Triple-ring wok burner	12,000BTU
Performance	
Broil	3,000W
Bake	2,800W
Convection Bake	2,200W
Warming Drawer	500W
Cleaning	
Acid resistant graphite enamel	●
Removable oven door	●
Self clean	●
Safety	
Glazed door	Cool touch 5 pane glass
Door and cavity cooling system	●
Non-tip shelves	●
Anti-tilt bracket	●
Flame failure	●
Controls	
Electronic clock	●
Automatic cooking/minute timer	●
Power requirements	
Supply voltage	120-240V
Supply frequency	60Hz
AMP draw	15.2A
Accessories	
Broiling pan + rack	1
Step down oven shelf	2
Wok stand	1
Warming drawer shelf	1
Warranty	1 year

COOK

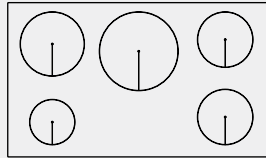


Type of appliance	CookSurface Deep	CookSurface
Model no.	CG363MLDNGB1	CG363MLNGB1
Finish	Ceramic Glass	Ceramic Glass
Dimensions	H3½" x W35½" x D20¼"	H3½ x W35½" x D16¼"
Burners	3 including 1 wok burner	3 including 1 wok burner
Burner ratings (using natural gas)		
Small Aero™ burner	6,800BTU	6,800BTU
Medium Aero™ burner	7,600BTU	7,600BTU
Wok Aero™ burner	12,000BTU	12,000BTU
Performance		
Independent burner operation	●	●
Quiet glow ignition	●	●
Electronic flame settings	●	●
Cleaning		
Easy clean cooktop design	●	●
Removable support pins	●	●
Removable burner heads	●	●
Safety		
Flame failure re-ignition system	●	●
Key lock	●	●
Hot surface indicators	●	●
Overheat protection	●	●
Controls		
Intuitive dial control	●	●
LED display	●	●
Audio feedback	●	●
Visual feedback	●	●
Self diagnostics	●	●
Power requirements		
Supply voltage	110-120V	110-120V
Supply frequency	60Hz	60Hz
AMP draw	0.7A	0.7A
Accessories		
Wok stand	●	●
Warranty	1 year	1 year

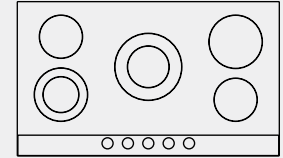


	36" 5 Burner Gas Cooktop	36" 5 Burner Gas Cooktop
Type of appliance	CG365DWACX1	CG365CWACX1
Model no.	CG365DWACX1	CG365CWACX1
Finish	Stainless Steel	Stainless Steel
Dimensions	H3" x W36" x D21½"	H2¾" x W36" x D21½"
Burners	5 including 1 wok burner	5 including 1 wok burner
Burner ratings (using natural gas)		
Center burner	3,753-20,000BTU	3,412-14,000BTU
Semi rapid burner	1,365-5,800BTU	1,365-5,800BTU
Rapid burner	2,388-8,000BTU (2)	2,388-8,000BTU (2)
Simmer burner	512-3,000BTU	512-3,000BTU
Performance		
Innovalve™ technology	●	
Electronic ignition	●	●
LPG/Natural gas compatible	●	●
Cast iron trivets	●	●
Cleaning		
Easy clean cooktop design	●	●
Quick component removal	●	●
Safety		
Auto re-ignition system	●	●
Flame failure re-ignition system	●	●
1 Gallon spill containment	●	●
Controls		
Satin chrome control dials	●	●
Burner indicator lights	●	
Fault indication lights	●	
Laser etched graphics	●	●
Power requirements		
Supply voltage	110-120V	110-120V
Supply frequency	60Hz	60Hz
AMP draw	2A	2A
Accessories		
Wok stand	●	●
Simmer mat	●	
LPG conversion kit	●	●
Cast iron griddle	●	
Warranty	1 year	1 year

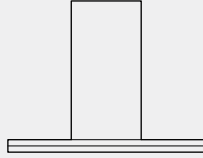
COOK



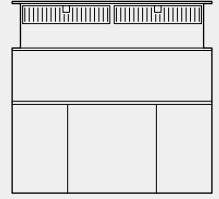
Type of appliance	36" 5 Zone Induction Cooktop
Model no.	CI365DTB1
Finish	Ceramic Glass
Dimensions	H4 3/16" x W35 7/16" x D20 7/8"
Cooking zones	5
Zone ratings	*Maximum power output when set for PowerBoost
Left front	1400W (1800W*)
Right front	1850W (2500W*)
Left rear	2300W (3200W*)
Right rear	1850W (2500W*)
Centre	2400W (3700W*)
PowerBoost	up to 3700W
Performance	
Induction cooking technology	●
Heat settings	8
PowerBoost	●
Cleaning	
Flat easy clean glass surface	●
Safety	
Key lock	●
Safety time out	●
Pan detection system	●
Surface hot indicators	●
Spillage auto off	●
Controls	
Soft touch electronic controls	●
PowerBoost indicator	●
Power requirements	
Supply voltage	240V
Supply frequency	60Hz
AMP draw	48A
Warranty	1 year



Type of appliance	36" 5 Element Electric Cooktop
Model no.	CE365DBX1
Finish	Ceramic Glass Stainless Trim
Dimensions	H4 1/4" x W35 7/16" x D20 7/8"
Elements	5 including 2 dual elements
Element ratings	
Left front	1700W/700W
Right front	1200W
Left rear	1200W
Right rear	1800W
Centre	2500W/1100W
SuperSimmer	20W
Performance	
Hi-light high speed ribbon elements	●
Dual element	2
SuperSimmer	20W
Cleaning	
Flat easy clean glass surface	●
Safety	
Temperature limiters	●
Individual hot surface indicators	●
Controls	
Satin chrome control dials	●
Permanent laser etched graphics	●
On indicator	●
Power requirements	
Supply voltage	240V
Supply frequency	60Hz
AMP draw	35A
Warranty	1 year



Type of appliance	36" Wall Canopy Rangehood
Model no.	HC36DTXB1
Finish	Stainless Steel Black Glass
Dimensions	H25-40 1/4" x W35 7/16" x D19 1/16"
Fan ratings	
Max air movement	542 CFM
Max decibel rating	48dBA
Performance	
Centrifugal fan	●
Fan speeds	4
Cleaning	
Dishwasher safe aluminium mesh filters	●
Easy-clean interior plate	●
Installation	
Two piece adjustable flue with optional extensions	●
Ducted or recirculating options	●
Controls	
Soft touch buttons	●
Timer function	●
Angled halogen lights	2 x 50W
Power requirements	
Supply voltage	110-120V
Supply frequency	60Hz
AMP draw	10A
Optional accessories	
Recirculating kit	●
Charcoal filter	●
Warranty	1 year



Type of appliance	36" Downdraft
Model no.	DD-36SS
Finish	Stainless Steel
Dimensions	H8 1/4" x W36" x D2 1/8"
Fan ratings	
Max air movement	600 CFM
Performance	
Fan speeds	Variable speeds
Cleaning	
Dishwasher safe aluminium mesh filters	●
Easy-clean	●
Controls	
Simple one touch operation	●
Power requirements	
Supply voltage	120V
Supply frequency	60Hz
AMP draw	15A
Warranty	1 year

OVEN FUNCTIONS

(functions will differ depending on model)

OB24 Built-in Oven and OR24 Dual Fuel Range



Oven Light

Remains lit while the oven is in use, but can also be used independently from the other cooking functions.



Bake

Heat is provided from the upper and lower elements. A traditional cooking mode, suitable for single shelf cooking of items like cakes, delicate items like sponges, custard tart and crème brûlée.



Broil

The broil element delivers heat for fast, healthy grilling. Perfect for tender meat cuts, toasting and crisping.



Ventilated Broil

The oven fan circulates hot air from the top element for high speed broiling and produces food with a finish that is similar to a rotisserie. Food is crisp and brown on the outside while the inside remains moist and tender.



Ventilated Cooking with Double Broil

The oven fan circulates hot air from the top element for high speed double broiling and produces food with a finish that is similar to a rotisserie. Food is crisp and brown on the outside while the inside remains moist and tender.



Convection Bake

A very flexible method of cooking. A concealed element surrounding the fan at the rear of the oven heats air which is then distributed evenly around the cavity. This is the ideal mode for multi-shelf cooking and complete oven meals.



Defrost

The oven fan circulates air around the oven, speeding up the defrosting process by up to 30%.



Self Clean

During the self clean cycle, the oven reaches higher temperatures than it does for cooking, breaking down soil and grease deposits which can be wiped away with a damp cloth.

OR24 and OR36 Gas Range



Bake

The heat is produced by the oven burner. A traditional cooking mode, suitable for single shelf cooking of items like cakes, delicate items like sponges, custard tart and crème brûlée.



Convection Bake

A very flexible method of cooking. The heat produced by the oven burner is distributed throughout the oven cavity by the fan. This is the ideal mode for multi-shelf cooking and complete oven meals.



Defrost

The oven fan circulates air around the oven, speeding up the defrosting process by up to 30%.



Broil

The broil element delivers heat for fast, healthy grilling. Perfect for tender meat cuts, toasting and crisping.

OB30 Built-in Oven models



Aero™ Pastry

Heat from the lower concealed element is circulated throughout the oven cavity by the Aero™ fan. Excellent for sweet and savory pastry foods, for moist breads and brownies and biscuits that you want extra chewy.



Roast

A two step program that has been developed to help you cook delicious roasts effortlessly. This function is a combination of grill and bake, grilling your food for the first 20 minutes then bakes at the set temperature for the rest of your cooking time. This sears the meat to keep in the juices.



Bake

The oven fan circulates hot air from the top outer and lower concealed elements and distributes it around the oven cavity. Aero™ Bake is great for crisping pastry in lemon meringue pie and vegetable filo parcels.



Aero™ Bake

The oven fan circulates hot air from the top outer and lower concealed elements and distributes it around the oven cavity. Aero™ Bake is great for crisping pastry in lemon meringue pie and vegetable filo parcels.



Pastry Bake

Uses the heat from the lower element only, this is a traditional cooking mode which is suitable for recipes that were developed in older ovens. For best results, cook on only one shelf at a time. Perfect for foods that require delicate cooking and have a pastry base, like custard tarts, quiches and cheesecake or anything that does not require direct heat and browning on the top surface.



Maxi Broil

Delivers intense heat from the entire top element. It is the most suitable mode for 'finishing off' many meals, for example browning the top of potato gratin and frittata as well as cooking smaller cuts of meat. Use Maxi Grill to toast bread or grill your favorite chicken, fish and steak.



Aero™ Broil

Produces food with a finish that is similar to a rotisserie. Meat, poultry and vegetables cook beautifully; food is crisp and brown on the outside while the inside remains moist and tender.



Broil

Delivers intense heat from the inner region of the top element. Great when you need to quickly grill smaller dishes, for example crème brûlée or one to two portions of your usual favorites, like crispy chicken breasts or a steak.



TrueAero™

A concealed heating element surrounding the fan in the rear of the oven heats air which is then blown into the cavity. The consistent temperature creates an ideal oven environment producing goods which are well risen and evenly colored.



Warm

A constant low heat of 165°F (75°C). It is excellent for keeping cooked food hot and warming plates and serving dishes.



Self Clean

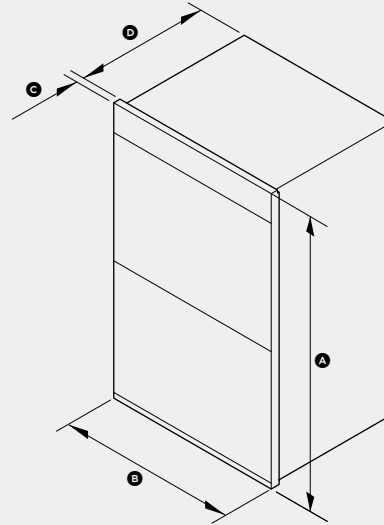
During the self clean cycle, the oven reaches higher temperatures than it does for cooking, breaking down soil and grease deposits which can be wiped away with a cloth afterwards.

Note: Use all oven functions with the oven door closed.

30" Double Built-in Oven

Model no:
OB30DDEPX2

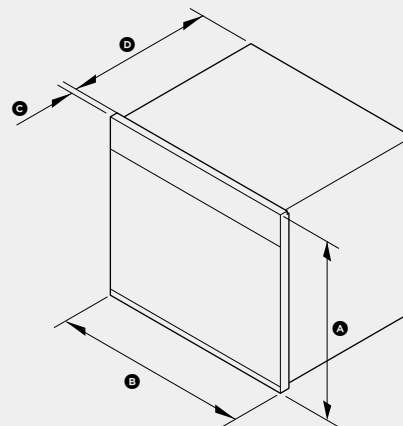
Dimensions	inches
Ⓐ Overall height of product	48 ⁷ / ₁₆ "
Ⓑ Overall width of product	29 ³ / ₄ "
Ⓒ Depth of product front and control panel (excl. handle and dials)	1 ¹ / ₂ "
Ⓓ Depth of product chassis	22 ⁷ / ₁₆ "



30" Single Built-in Oven

Model no:
OB30SDEPX2

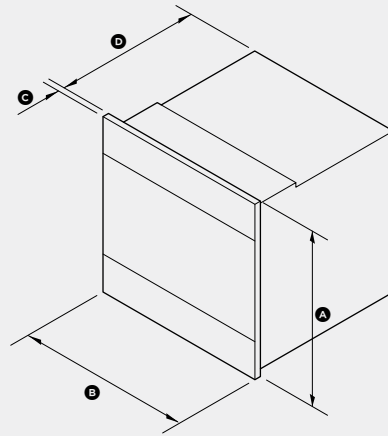
Dimensions	inches
Ⓐ Overall height of product	27 ¹ / ₁₆ "
Ⓑ Overall width of product	29 ³ / ₄ "
Ⓒ Depth of product front and control panel (excl. handle and dials)	1 ¹ / ₂ "
Ⓓ Depth of product chassis	22 ⁷ / ₁₆ "



24" Single Built-in Oven

Model no:
OB24SDPX4

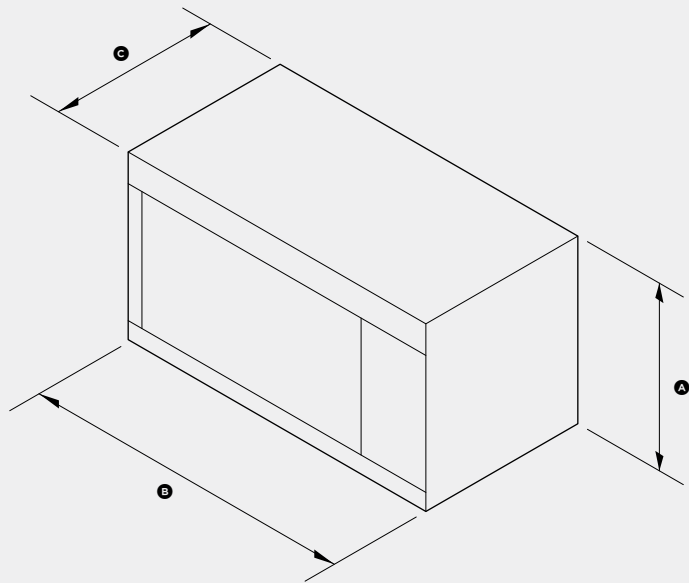
Dimensions	inches
Ⓐ Overall height of product	24"
Ⓑ Overall width of product	24"
Ⓒ Depth of product front and control panel (excl. handle and dials)	$\frac{7}{8}"$
Ⓓ Depth of product chassis	$22\frac{3}{4}"$



30" Over the Range Microwave

Model no:
CMOH-30SS

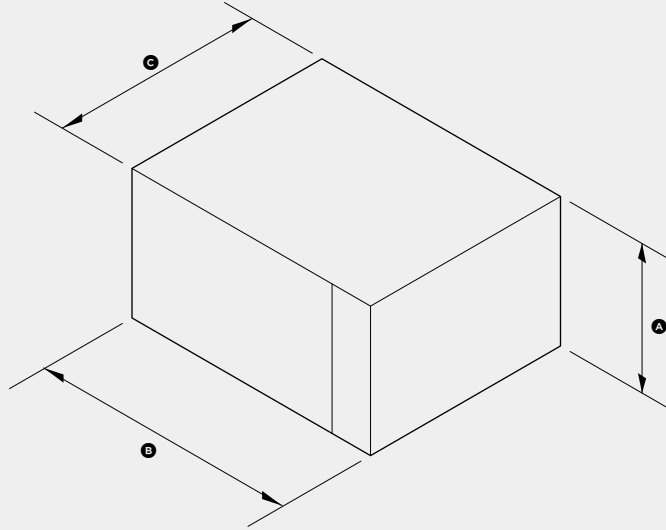
Dimensions	inches
Ⓐ Overall height of product	$16\frac{1}{2}"$
Ⓑ Overall width of product	$29\frac{1}{16}"$
Ⓒ Overall depth of product	$15\frac{1}{2}"$



24" Traditional Microwave

Model no:
MO-24SS-2

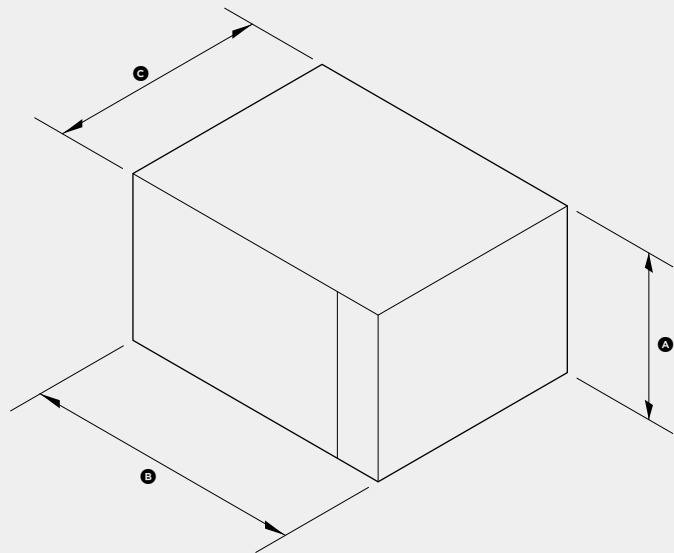
Dimensions	inches
Ⓐ Overall height of product	13 5/8"
Ⓑ Overall width of product	24"
Ⓒ Overall depth of product	19 1/8"



24" Convection Microwave

Model no:
CMO-24SS-2

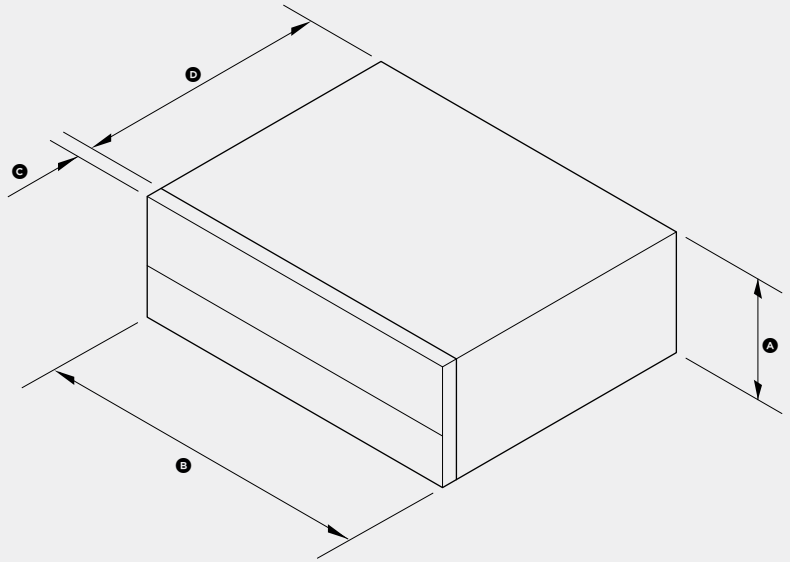
Dimensions	inches
Ⓐ Overall height of product	14 7/8"
Ⓑ Overall width of product	24 5/8"
Ⓒ Overall depth of product	19"



30" Warming Drawer

Model no:
OD30WDX2

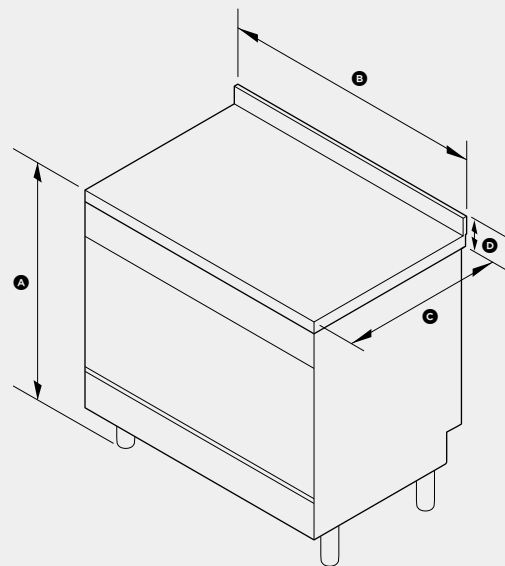
Dimensions	inches
Ⓐ Overall height of product	10 1/2"
Ⓑ Overall width of product	29 11/16"
Ⓒ Depth of product front (excl. handle)	1 1/2"
Ⓓ Depth of product chassis	23 1/2"



36" Gas Range

Model no:
OR36SDBGX2

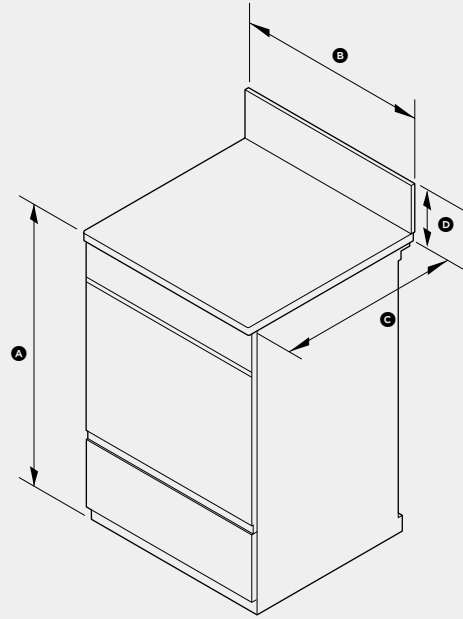
Dimensions	inches
Ⓐ Overall height of product (to top of cooktop, excl. pan supports)	min. 35 1/16" -max. 37 1/32"
Ⓑ Overall width of product	35 7/16"
Ⓒ Overall depth of product (excl. handle and dials)	23 3/32"
Ⓓ Backguard height	8"
Island trim available	3"



24" Gas Range

Model no:
OR24SDBGX2

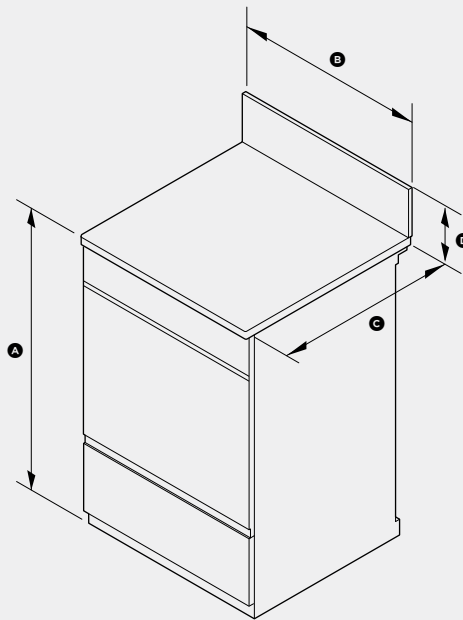
Dimensions	inches
Ⓐ Overall height of product (to top of cooktop, excl. pan supports)	min. 35 7/16" -max. 36 7/32"
Ⓑ Overall width of product	23 7/8"
Ⓒ Overall depth of product (excl. handle and dials)	24 5/16"
Ⓓ Backguard height	4 7/16"



24" Dual Fuel Range

Model no:
OR24SDPWGX2

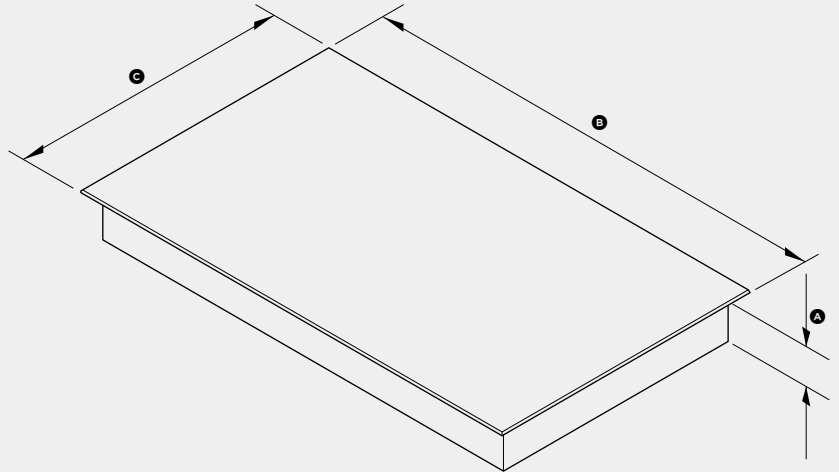
Dimensions	inches
Ⓐ Overall height of product (to top of cooktop, excl. pan supports)	min. 35 17/32" -max. 36 7/32"
Ⓑ Overall width of product	23 7/8"
Ⓒ Overall depth of product (excl. handle and dials)	24 11/16"
Ⓓ Backguard height	4 7/16"



CookSurface Deep

Model no:
CG363MLDNGB1

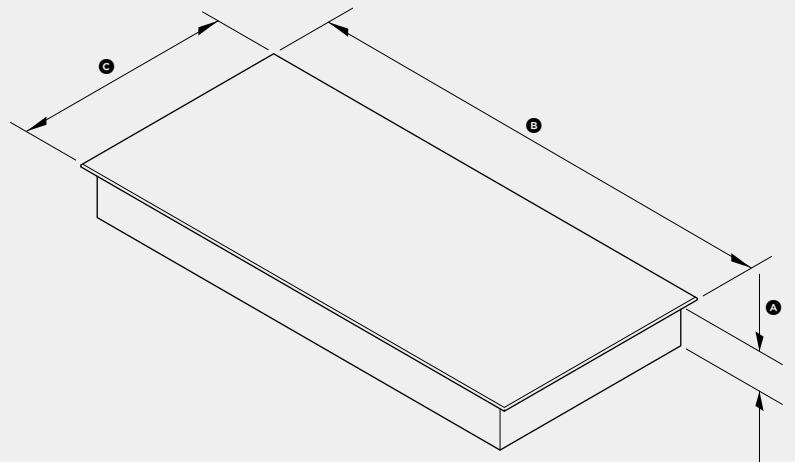
Dimensions	inches
Ⓐ Height of chassis (below top of counter)	3½"
Ⓑ Overall width of product	35½"
Ⓒ Overall depth of product	20⅞"



CookSurface

Model no:
CG363MLNGB1

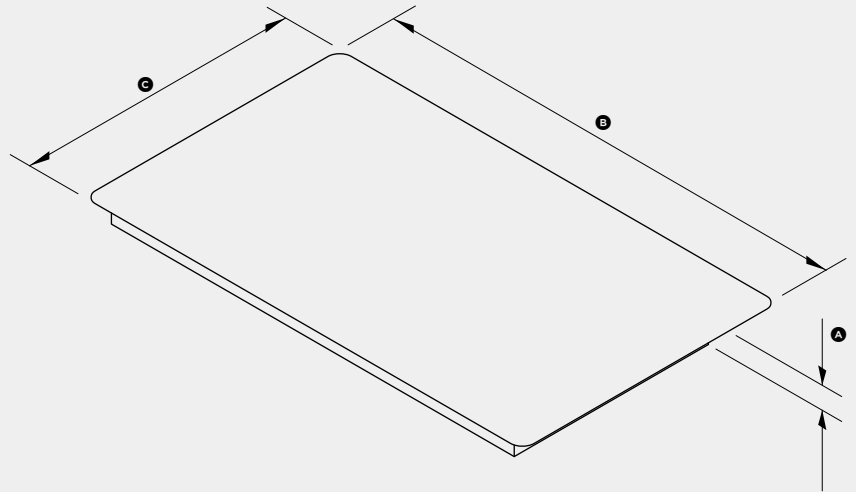
Dimensions	inches
Ⓐ Height of chassis (below top of counter)	3½"
Ⓑ Overall width of product	35½"
Ⓒ Overall depth of product	16⅞"



36" 5 Burner Gas Cooktop

Model no:
CG365DWACX1

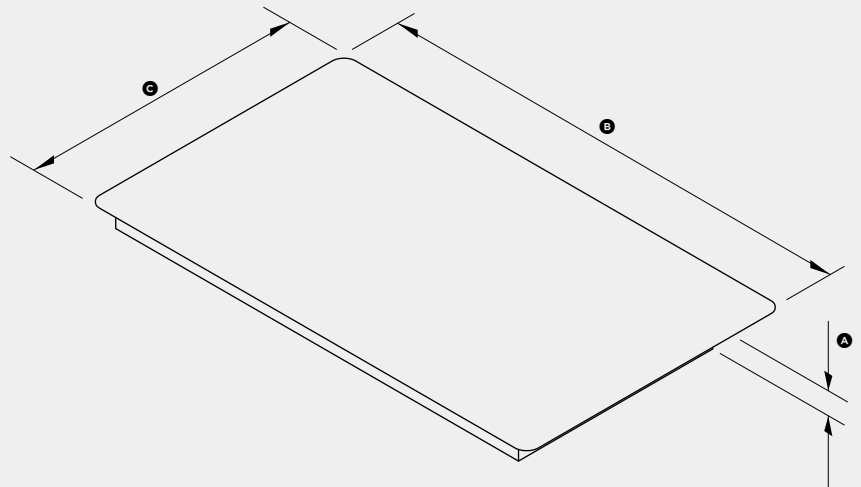
Dimensions	inches
Ⓐ Overall height of chassis (below top of counter)	3"
Ⓑ Overall width of product	36"
Ⓒ Overall depth of product	21½"



36" 5 Burner Gas Cooktop

Model no:
CG365CWACX1

Dimensions	inches
Ⓐ Overall height of chassis (below top of counter)	2¾"
Ⓑ Overall width of product	36"
Ⓒ Overall depth of product	21½"

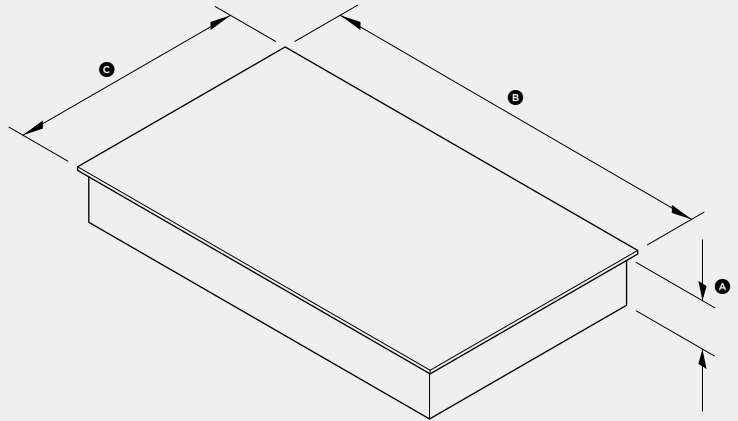


36" 5 Zone Induction Cooktop

Model no:

CI365DTB1

Dimensions	inches
Ⓐ Height of chassis incl. conduit junction (below top of counter)	4 5/16"
Ⓑ Overall width of product	35 7/16"
Ⓒ Overall depth of product	20 7/16"

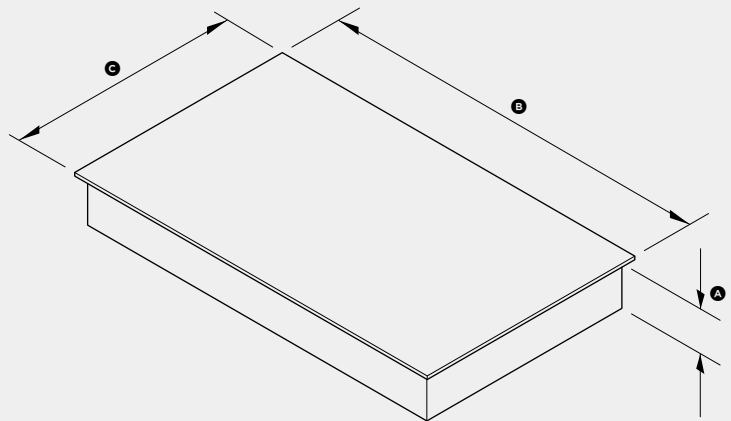


36" 5 Element Electric Cooktop

Model no:

CE365DBX1

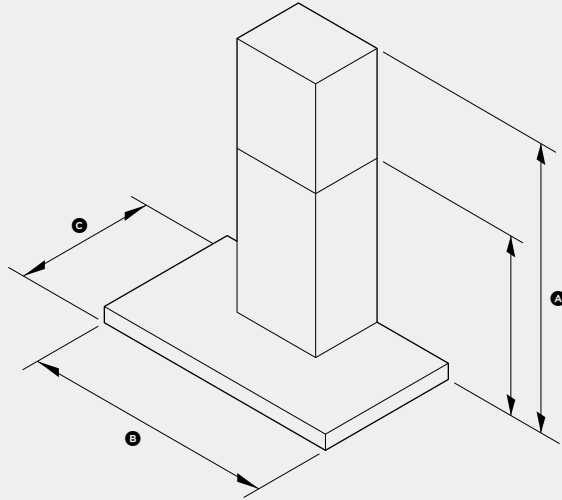
Dimensions	inches
Ⓐ Height of chassis incl. conduit junction (below top of counter)	4 1/4"
Ⓑ Overall width of product	35 7/16"
Ⓒ Overall depth of product	20 7/16"



36" Wall Canopy Rangehood

Model no:
HC36DTXB1

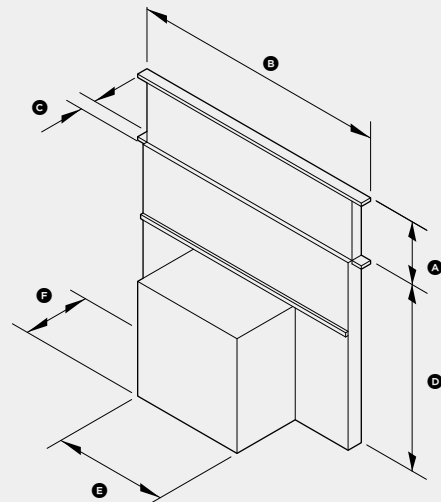
Dimensions	inches
Ⓐ Overall height of product	min. 25" - max. 40 1/4"
Ⓑ Overall width of product	35 7/16"
Ⓒ Overall depth of product	19 13/16"



36" Downdraft

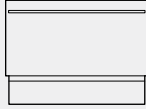
Model no:
DD-36SS

Dimensions	inches
Ⓐ Height of vent from top of counter (in raised position)	8 1/4"
Ⓑ Overall width of product	36"
Ⓒ Depth of vent	1 1/2"
Ⓓ Height of vent when retracted (including chassis)	26 1/8"
Ⓔ Width of blower housing	16"
Ⓕ Depth of blower housing	9 3/8"

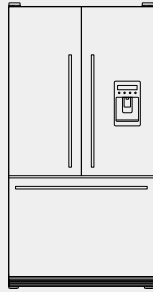


C O O L

COOL

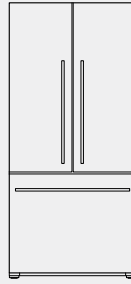
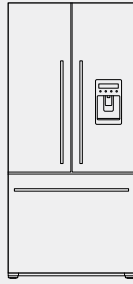


Type of appliance	36" CoolDrawer
Model No.	RB36S25MKIW1
Finish	●
Integrated	
EZKleen stainless steel façade	part number 840545
Dimensions (excl. drawer panel, incl. power cord)	H25 ³ / ₁₆ " x W33 ¹ / ₁₆ " x D21 ¹⁵ / ₁₆ "
Capacity	
Total gross volume	3.1 cu.ft
Energy Star certified	In Freezer Mode
Energy usage (kWh per year)	145 as Refrigerator, 279 as Freezer
Modes	
Chill (31°F)	●
Pantry (54°F)	●
Wine (45-59°F)	●
Refrigerator (37°F)	●
Freezer (0°F)	●
Features	
Touch control glass interface	●
Key lock	●
Variable temperature control	●
Fruit and vegetable drawer & pullout tray	●
Customizable storage container	●
Drawer alarm	●
Warranty	
Parts and labour	1 year
Sealed system parts	4 years

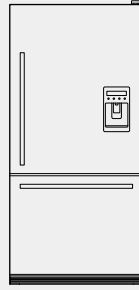
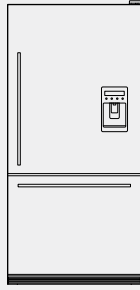


Type of appliance	French Door Refrigerator
Models available	RF195ADUX1
Finish	EZKleen Stainless Steel Flat Door Designer Handle Counter Depth
Dimensions (excl. handles)	H70" x W35 3/8" x D27 3/8"
Capacity	
Refrigerator	13.8 cu.ft
Freezer	5.7 cu.ft
Total	19.5 cu.ft
Energy Star certified	●
Energy usage (kWh per year)	445
Performance	
ActiveSmart™	●
Frost free freezer	●
Adaptive defrost	●
Humidity control system	●
Sabbath mode	●
Refrigerator	
Water dispenser	●
Door alarm	●
Adjustable glass shelves	3
Fruit & vegetable bins	2
Adjustable door shelves	6
Covered door shelves	2
Halogen light	●
Deli storage bins	2
Freezer	
Built-in ice maker	●
Large plastic bin	●
Small plastic bins	2
Ice bin and scoop	●
Halogen light	●
Door alarm	●
Accessories	
Water filter	part number 13040210
Warranty	
Parts & Labour	1 year
Sealed System Parts	4 years

COOL

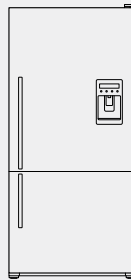
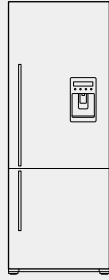


Type of appliance	French Door Ice & Water Refrigerator	French Door Refrigerator
Models available	RF170ADUX1	RF170ADX1
Finish	EZKleen Stainless Steel Flat Door Designer Handle Concealed Hinge Counter Depth	EZKleen Stainless Steel Flat Door Designer Handle Concealed Hinge Counter Depth
Dimensions (excl. handles)	H67 1/2" x W31 1/8" x D27 3/8"	H67 1/2" x W31 1/8" x D27 3/8"
Capacity		
Refrigerator	12.1 cu.ft	12.1 cu.ft
Freezer	4.8 cu.ft	4.8 cu.ft
Total	16.9 cu.ft	16.9 cu.ft
Energy usage (kWh per year)	540	540
Performance		
ActiveSmart™	●	●
Frost free freezer	●	●
Adaptive defrost	●	●
Humidity control system	●	●
Sabbath mode	●	●
Refrigerator		
Water dispenser	●	
Door alarm	●	●
Adjustable glass shelves	3	3
Fruit & vegetable bins	2	2
Stackable bottle holders	4	4
Adjustable door shelves	6	6
Covered door shelves	2	2
LED light	●	●
Freezer		
Built-in ice maker	●	
Large plastic bin	●	●
Small plastic bins	2	2
Ice bin and scoop	●	●
Door alarm	●	●
Accessories		
Water filter	part number 836848	
Stainless steel surround kit	part number 23990	part number 23990
Warranty		
Parts & Labour	1 year	1 year
Sealed System Parts	4 years	4 years

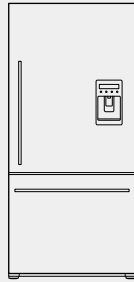


Type of appliance	Ice & Water Bottom Freezer Refrigerator	Ice & Water Bottom Freezer Refrigerator
Models available	RF175WDRUX1 RF175WDLUX1	RF175WCRUX1 RF175WCLUX1
Finish	EZKleen Stainless Steel Flat Door Designer Handle Counter Depth	EZKleen Stainless Steel Curved Door Curved Handle Counter Depth
Dimensions (excl. handles)	H70" x W32 3/4" x D27 3/8"	H70" x W32 3/4" x D27 3/8"
Capacity		
Refrigerator	12.4 cu.ft	12.4 cu.ft
Freezer	5.1 cu.ft	5.1 cu.ft
Total	17.5 cu.ft	17.5 cu.ft
Energy Star certified	●	●
Energy usage (kWh per year)	440	440
Performance		
ActiveSmart™	●	●
Frost free freezer	●	●
Adaptive defrost	●	●
Humidity control system	●	●
Sabbath mode	●	●
Refrigerator		
Water dispenser	●	●
Door alarm	●	●
Adjustable cantilevered glass shelves	3	3
Fruit & vegetable bins	2	2
Adjustable door shelves	5	5
Covered door shelves	2	2
Halogen light	●	1
Freezer		
Built-in ice maker	●	●
Large plastic bin	●	●
Small plastic bins	2	2
Ice bin and scoop	●	●
Halogen light	●	●
Door alarm	●	●
Accessories		
Water filter	part number 13040210	part number 13040210
Warranty		
Parts & Labour	1 year	1 year
Sealed System Parts	4 years	4 years

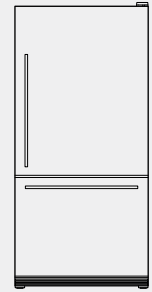
COOL



Type of appliance	Ice & Water Bottom Freezer Refrigerator	Ice & Water Bottom Freezer Refrigerator
Models available	RF135BDRUX1 RF135BDLUX1	E522BRXU2 E522BLXU2
Finish	EZKleen Stainless Steel Flat Door Designer Handle Concealed Hinge Counter Depth	EZKleen Stainless Steel Curved Door Curved Handle Concealed Hinge Counter Depth
Dimensions (excl. handles)	H67 1/2" x W25" x D27 3/8"	H67 1/8" x W31 1/8" x D28 1/8"
Capacity		
Refrigerator	9.6 cu.ft	12.4 cu.ft
Freezer	3.8 cu.ft	5.2 cu.ft
Total	13.4 cu.ft	17.6 cu.ft
Energy usage (kWh per year)	520	536
Performance		
ActiveSmart™	●	●
Frost free freezer	●	●
Adaptive defrost	●	●
Humidity control system	●	●
Sabbath mode	●	●
Refrigerator		
Water dispenser	●	●
Door alarm	●	●
Adjustable glass shelves	2	4
Fruit & vegetable bins	2	2
Stackable bottle holders	2	2
Adjustable door shelves	2	4
Covered door shelves	2	2
Egg trays	2	2
LED light	●	●
Freezer		
Built-in ice maker	●	●
Large plastic bin	●	●
Small plastic bins	2	2
Ice bin and scoop	●	●
Centre roll out tray	●	●
Door alarm	●	●
Accessories		
Water filter	part number 836848	part number 836848
Stainless steel surround kit (Lefthand hinge)	part number 23980	
(Righthand hinge)	part number 23981	
(Two appliances joined)	part number 23982	
Joiner kit	part number 819264	part number 819264
Warranty		
Parts & Labour	1 year	1 year
Sealed System Parts	4 years	4 years

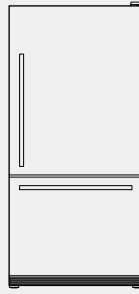
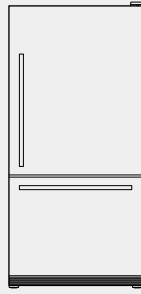


Type of appliance	Ice & Water Bottom Freezer Refrigerator
Models available	RF170WDRUX1 RF170WDLUX1
Finish	EZKleen Stainless Steel Flat Door Designer Handle Concealed Hinge Counter Depth
Dimensions (excl. handles)	H67 1/2" x W31 1/4" x D27 3/8"
Capacity	
Refrigerator	12.3 cu.ft
Freezer	4.8 cu.ft
Total	17.1 cu.ft
Energy usage (kWh per year)	498
Performance	
ActiveSmart™	●
Frost free freezer	●
Adaptive defrost	●
Humidity control system	●
Sabbath mode	●
Refrigerator	
Water dispenser	●
Door alarm	●
Adjustable glass shelves	4
Fruit & vegetable bins	2
Stackable bottle holders	2
Adjustable door shelves	4
Covered door shelves	2
LED light	●
Freezer	
Built-in ice maker	●
Large plastic bin	●
Small plastic bins	2
Ice bin and scoop	●
Door alarm	●
Accessories	
Water filter	model number 836848
Stainless steel surround kit	
(Lefthand hinge)	part number 23986
(Righthand hinge)	part number 23987
(Two appliances joined)	part number 23988
Joiner kit	part number 819264
Warranty	
Parts & Labour	1 year
Sealed System Parts	4 years



Type of appliance	Bottom Freezer Refrigerator
Models available	RF175WDRX1 RF175WDLX1
Finish	EZKleen Stainless Steel Flat Door Designer Handle Counter Depth
Dimensions (excl. handles)	H70" x W32 3/4" x D27 3/8"
Capacity	
Refrigerator	12.4 cu.ft
Freezer	5.1 cu.ft
Total	17.5 cu.ft
Energy Star certified	●
Energy usage (kWh per year)	440
Performance	
ActiveSmart™	●
Frost free freezer	●
Adaptive defrost	●
Humidity control system	●
Sabbath mode	●
Refrigerator	
Door alarm	●
Adjustable cantilevered glass shelves	3
Fruit & vegetable bins	2
Adjustable door shelves	5
Covered door shelves	2
Halogen light	●
Freezer	
Large plastic bin	●
Small plastic bins	2
Ice trays	2
Halogen light	●
Door alarm	●
Warranty	
Parts & Labour	1 year
Sealed System Parts	4 years

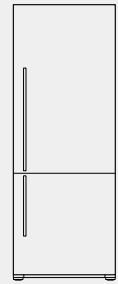
COOL



Type of appliance	Bottom Freezer Refrigerator	Bottom Freezer Refrigerator
Models available	RF175WCRX1 RF175WCLX1	RF175WCRW1 RF175WCLW1
Finish	EZKleen Stainless Steel Curved Door Curved Handle Counter Depth	White Curved Door Curved Handle Counter Depth
Dimensions (excl. handles)	H70" x W32¾" x D27¾"	H70" x W32¾" x D27¾"
Capacity		
Refrigerator	12.4 cu.ft	12.4 cu.ft
Freezer	5.1 cu.ft	5.1 cu.ft
Total	17.5 cu.ft	17.5 cu.ft
Energy Star certified	●	●
Energy usage (kWh per year)	440	440
Performance		
ActiveSmart™	●	●
Frost free freezer	●	●
Adaptive defrost	●	●
Humidity control system	●	●
Sabbath mode	●	●
Refrigerator		
Door alarm	●	●
Adjustable cantilevered glass shelves	3	3
Fruit & vegetable bins	2	2
Adjustable door shelves	5	5
Covered door shelves	2	2
Halogen light	●	●
Freezer		
Large plastic bin	●	●
Small plastic bins	2	2
Ice trays	2	2
Halogen light	●	●
Door alarm	●	●
Warranty		
Parts & Labour	1 year	1 year
Sealed System Parts	4 years	4 years



Type of appliance	Bottom Freezer Refrigerator
Models available	RF170WDRX1 RF170WDLX1
Finish	EZKleen Stainless Steel Flat Door Designer Handle Concealed Hinge Counter Depth
Dimensions (excl. handles)	H67 1/2" x W31 1/8" x D27 3/8"
Capacity	
Refrigerator	12.3 cu.ft
Freezer	4.8 cu.ft
Total	17.1 cu.ft
Energy usage (kWh per year)	498
Performance	
ActiveSmart™	●
Frost free freezer	●
Adaptive defrost	●
Humidity control system	●
Sabbath mode	●
Refrigerator	
Door alarm	●
Adjustable glass shelves	4
Fruit & vegetable bins	2
Stackable bottle holders	2
Adjustable door shelves	4
Covered door shelves	2
LED light	●
Freezer	
Large plastic bin	●
Small plastic bins	2
Ice tray	●
Ice bin and scoop	●
Door alarm	●
Accessories	
Stainless steel surround kit (Lefthand hinge)	part number 23986
(Righthand hinge)	part number 23987
(Two appliances joined)	part number 23988
Joiner kit	part number 819264
Warranty	
Parts & Labour	1 year
Sealed System Parts	4 years

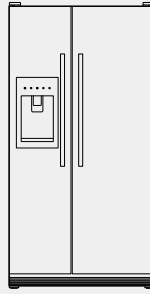
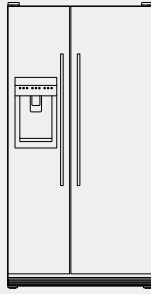


Type of appliance	Bottom Freezer Refrigerator
Models available	RF135BDRX1 RF135BDLX1
Finish	EZKleen Stainless Steel Flat Door Designer Handle Concealed Hinge Counter Depth
Dimensions (excl. handles)	H67 1/2" x W25" x D27 3/8"
Capacity	
Refrigerator	9.6 cu.ft
Freezer	3.8 cu.ft
Total	13.4 cu.ft
Energy usage (kWh per year)	520
Performance	
ActiveSmart™	●
Frost free freezer	●
Adaptive defrost	●
Humidity control system	●
Sabbath mode	●
Refrigerator	
Door alarm	●
Adjustable glass shelves	4
Fruit & vegetable bins	2
Stackable bottle holders	2
Adjustable door shelves	4
Covered door shelves	2
Egg trays	2
LED light	●
Freezer	
Large plastic bin	●
Small plastic bins	2
Ice trays	2
Centre roll out tray	●
Door alarm	●
Accessories	
Stainless steel surround kit (Lefthand hinge)	part number 23980
(Righthand hinge)	part number 23981
(Two appliances joined)	part number 23982
Joiner kit	part number 819264
Warranty	
Parts & Labour	1 year
Sealed System Parts	4 years

COOL



Type of appliance	Bottom Freezer Refrigerator	Bottom Freezer Refrigerator
Models available	E522BRX2 E522BLX2	E522BRE2 E522BLE2
Finish	EZKleen Stainless Steel Curved Door Curved Handle Counter Depth	White Curved Door Curved Handle Counter Depth
Dimensions (excl. handles)	H66 3/4" x W31 1/4" x D28 1/2"	H66 3/4" x W31 1/4" x D28 1/2"
Capacity		
Refrigerator	12.4 cu.ft	12.4 cu.ft
Freezer	5.2 cu.ft	5.2 cu.ft
Total	17.6 cu.ft	17.6 cu.ft
Energy usage (kWh per year)	536	536
Performance		
ActiveSmart™	●	●
Frost free freezer	●	●
Adaptive defrost	●	●
Humidity control system	●	●
Sabbath mode	●	●
Refrigerator		
Door alarm	●	●
Adjustable glass shelves	4	4
Fruit & vegetable bins	2	2
Stackable bottle holders	2	2
Adjustable door shelves	4	4
Covered door shelves	2	2
Egg trays	2	2
LED light	●	●
Freezer		
Large plastic bin	●	●
Small plastic bins	2	2
Ice trays	2	2
Centre roll out tray	●	●
Door alarm	●	●
Accessories		
Joiner kit	part number 819264	part number 819264
Warranty		
Parts & Labour	1 year	1 year
Sealed System Parts	4 years	4 years



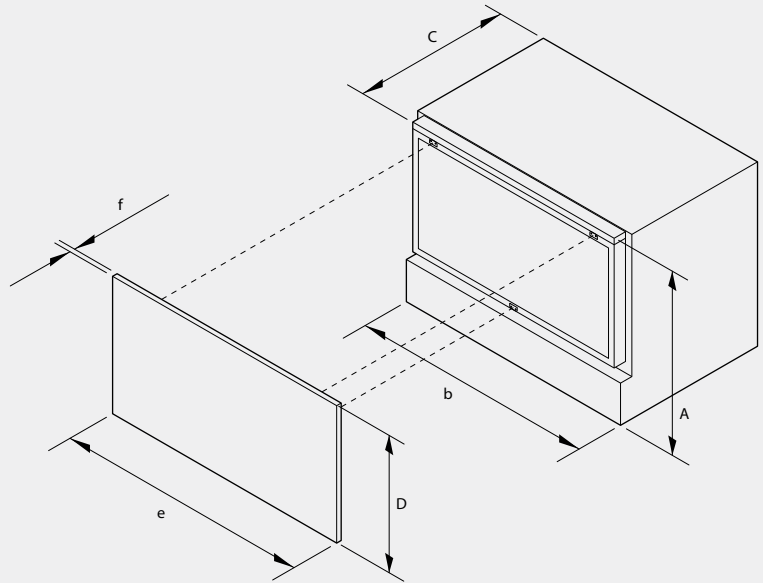
Type of appliance	Side by Side Refrigerator	Side by Side Refrigerator
Models available	RX216DT7XV2	RX216CT4XV2
Finish	EZKleen Stainless Steel Flat Door Designer Handle	EZKleen Stainless Steel Curved Door Curved Handle
Dimensions (excl. handles)	Counter Depth H70" x W35 3/8" x D27 3/8"	Counter Depth H70" x W35 3/8" x D27 3/8"
Capacity		
Refrigerator	13.5 cu.ft	13.5 cu.ft
Freezer	8.1 cu.ft	8.1 cu.ft
Total	21.6 cu.ft	21.6 cu.ft
Energy Star certified	●	●
Energy usage (kWh per year)	537	537
Performance		
External electronic control	●	
Tri-sensor control system	●	●
Frost free freezer	●	●
Automatic defrost	●	●
Humidity controlled drawer	●	●
Temperature controlled drawer	●	●
Refrigerator		
Beverage chiller	●	●
Slide out shelves	3	3
Static shelf	1	1
Dairy compartment	●	●
Adjustable gallon door shelf	1	1
Adjustable door shelves	2	2
Bottle holder	●	●
Covered egg bucket	●	●
Freezer		
Narrow door bin	1	1
Wide door bins	3	3
Wire baskets	3	3
Wire shelves	2	2
Accessories		
Water filter	part number 13040210	part number 13040210
Warranty		
Parts & Labour	1 year	1 year
Sealed System Parts	4 years	4 years

36" CoolDrawer™

Model no:
RB36S25MKIW1

Dimensions	inches
Ⓐ Overall height of product	25 3/16"
Ⓑ Overall width of product	33 1/16"
Ⓒ Overall depth of product	21 5/16"
Ⓓ Height of product front	18 3/4"
Ⓔ Width of product front	35 3/4"
Ⓕ Depth of product front (excludes handle)	1 1/16"

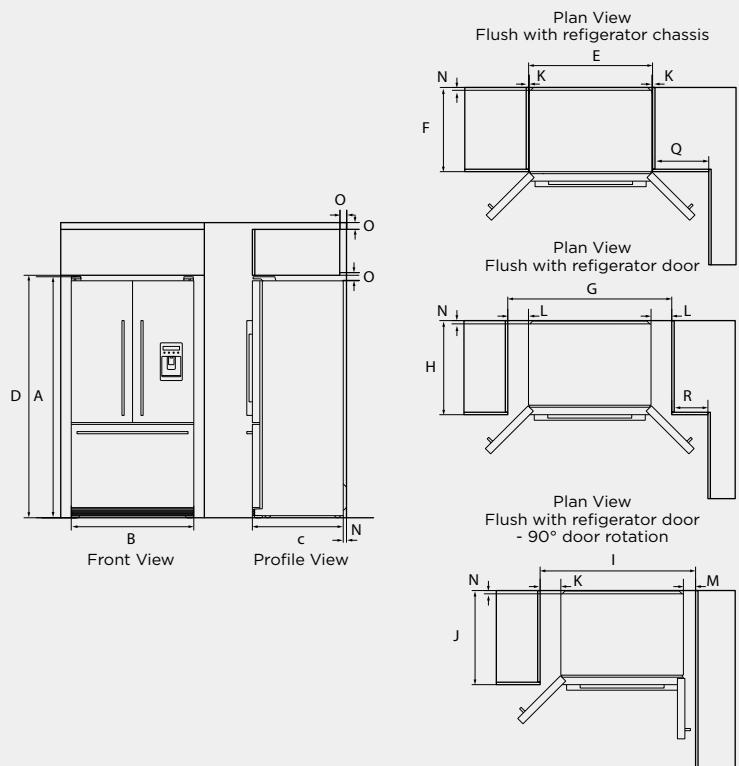
*Optional EZKleen Stainless Steel drawer panel; alternatively door and false panel to be manufactured and fitted by cabinetmaker.



19.5 cu.ft French Door Refrigerator (Flat door)

Model no:
RF195ADUX1 (Ice & Water)

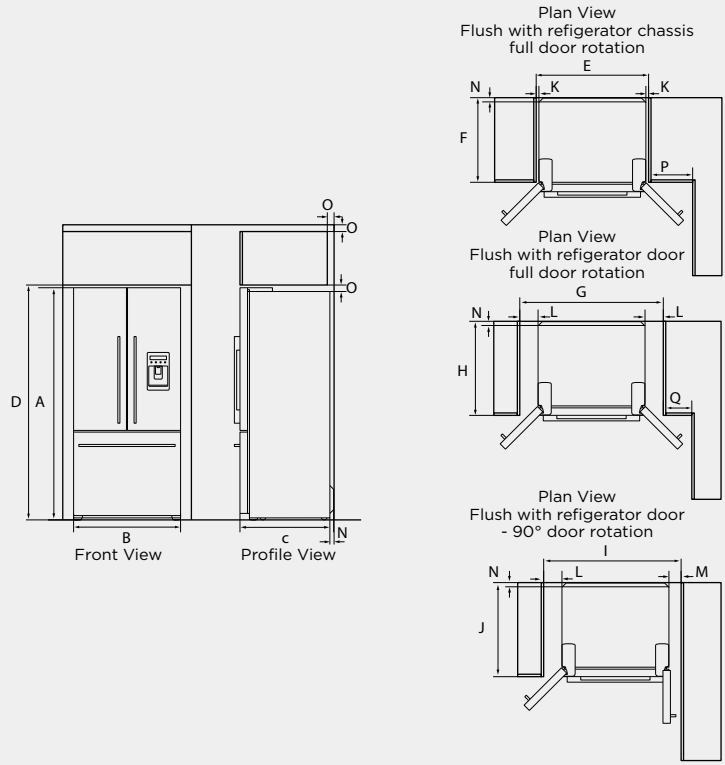
Dimensions	inches
Ⓐ Overall height of product (to top hinge)	70"
Ⓑ Overall width of product	35 5/8"
Ⓒ Overall depth of product (excl. handles, incl. evaporator)	27 3/8"
Cabinetry dimensions	
Ⓓ Inside height of cavity	70 1/2"
Flush with refrigerator chassis - full door rotation	
Ⓔ Inside width	36"
Ⓕ Inside depth	24 1/2"
Flush with refrigerator door - full door rotation	
Ⓖ Inside width	48 1/8"
Ⓗ Inside depth flush to flat door	27 3/8"
Flush with refrigerator door - 90° rotation	
Ⓙ Inside width	45 5/8"
Ⓚ Inside depth flush to flat door	27 3/8"
Minimum clearances	
Ⓛ Side clearance	3/16"
Ⓜ Side clearance - flush with door - full rotation	6"
Ⓨ Side clearance - flush with door - 90° rotation	3 3/16"
Ⓩ Rear clearance (incl. rear compartment)	1"
ⓐ Top clearance - above refrigerator cabinet	1 3/4"
ⓑ Vent - around top of cupboard (optional)	2"
ⓓ Door clearance - hinge side flush with chassis - full rotation	16 5/16"
ⓔ Door clearance - hinge side flush with door - full rotation	10 1/2"



17 cu.ft French Door Refrigerator (Flat door)

Model no:
RF170ADUX1 (Ice & Water), RF170ADX1

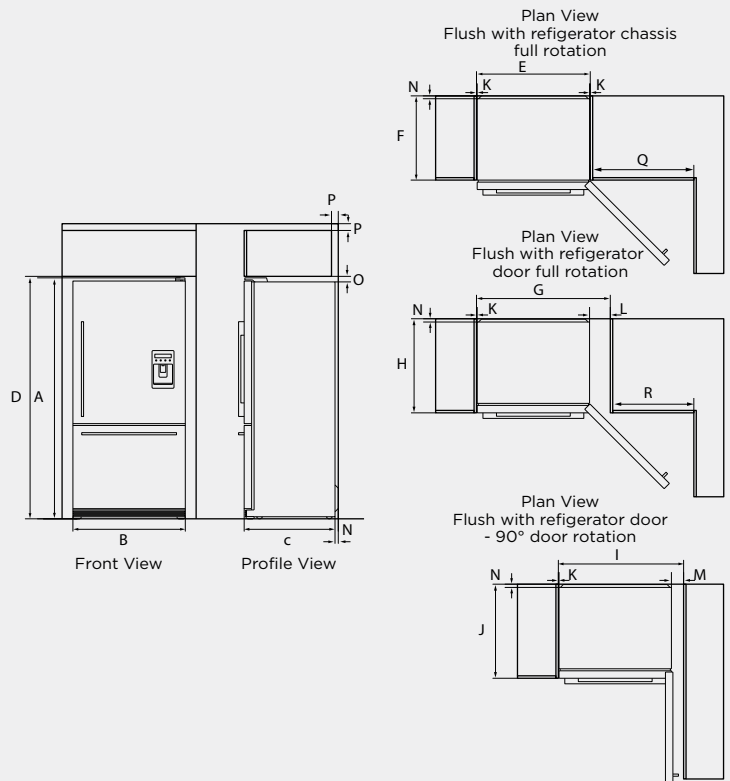
Dimensions	inches
Ⓐ Overall height of product	67½"
Ⓑ Overall width of product	31½"
Ⓒ Overall depth of product (excl. handles, incl. evaporator)	27⅜"
Cabinetry dimensions	
Ⓓ Inside height of cavity	68⅜"
Flush with refrigerator chassis – full door rotation	
Ⓔ Inside width	32¾"
Ⓕ Inside depth	24⅝"
Flush with refrigerator door – full door rotation	
Ⓖ Inside width	41¾"
Ⓗ Inside depth flush to flat door	27⅝"
Flush with refrigerator door – 90° rotation	
Ⓙ Inside width	40"
Ⓚ Inside depth flush to flat door	27⅝"
Minimum clearances	
Ⓛ Side clearance	¾"
Ⓜ Side clearance -hinge side flush with door -full rotation	5⅝"
Ⓨ Side clearance -hinge side flush with door -90° rotation	3½"
Ⓩ Rear clearance (incl. evaporator tray)	1⅞"
ⓐ Vent (above refrigerator cabinet or around top of cupboard)	2"
ⓑ Door clearance -hinge side flush with chassis -full rotation	12¾"
ⓓ Door clearance -hinge side flush with door -full rotation	8¼"



17.5 cu.ft Bottom Freezer Refrigerator

Model no:
RF175WDRUX1, RF175WDLUX1, RF175WCRUX1, RF175WCLUX1 (Ice & Water), RF175WDRX1, RF175WDLX1, RF175WCRX1, RF175WCLX1, RF175WCRW1, RF175WCLW1

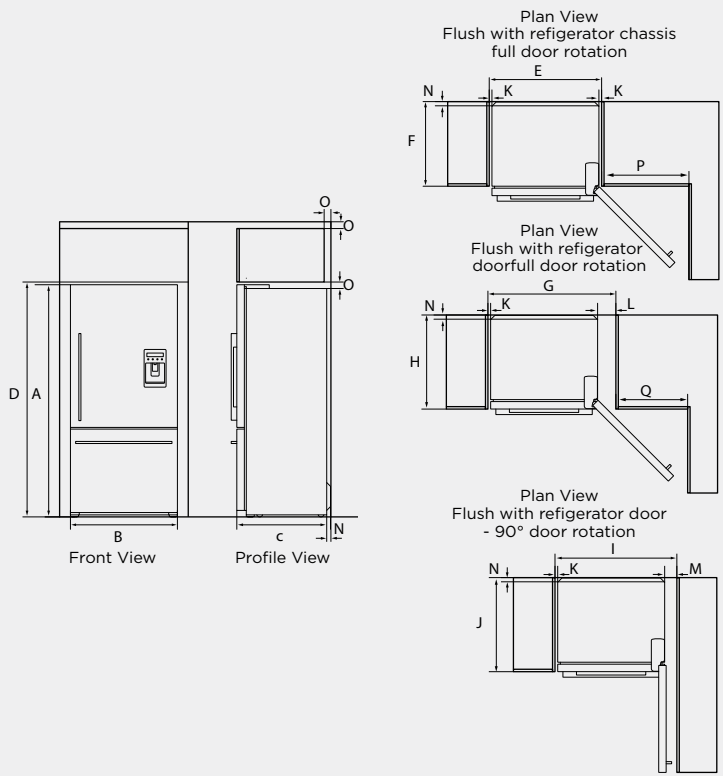
Dimensions	inches
Ⓐ Overall height of product (to top of hinge)	70"
Ⓑ Overall width of product	32¾"
Ⓒ Overall depth of product (excl. handle, incl. evaporator)	27⅝"
Cabinetry dimensions	
Ⓓ Inside height of cavity	70½"
Flush with refrigerator chassis	
Ⓔ Inside width	33"
Ⓕ Inside depth	24½"
Flush with refrigerator door	
Ⓖ Inside width	38⅞"
Ⓗ Inside depth flush to flat door	27⅝"
Flush with refrigerator door – 90° rotation	
Ⓙ Inside width	36⅞"
Ⓚ Inside depth flush to flat door	27⅝"
Minimum clearances	
Ⓛ Side clearance	¾"
Ⓜ Side clearance -flush with door -full rotation	6"
Ⓨ Side clearance -flush with door -90° rotation	3⅞"
Ⓩ Rear clearance (including rear compartment)	1"
ⓐ Top clearance -above refrigerator cabinet	1¾"
ⓑ Vent -around top of cupboard (optional)	2"
ⓑ Door clearance -hinge side flush with chassis -full rotation	30⅞"
ⓓ Door clearance -hinge side flush with door -full rotation	24⅝"



17 cu.ft Bottom Freezer Refrigerator (Flat door)

Model no:
RF170WDRUX1, RF170WDLUX1 (Ice & Water),
RF170WDRX1, RF170WDLX1

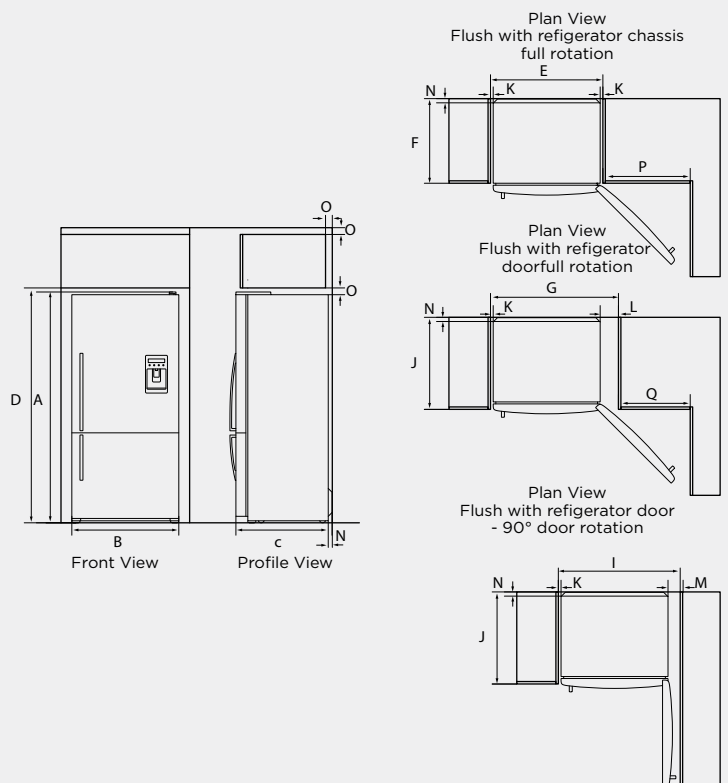
Dimensions	inches
Ⓐ Overall height of product	67 1/2"
Ⓑ Overall width of product	31 1/8"
Ⓒ Overall depth of product (excl. handle, incl. evaporator)	27 3/8"
Cabinetry dimensions	
Ⓓ Inside height of cavity	68 3/8"
Flush with refrigerator chassis - full door rotation	
Ⓔ Inside width	32 3/4"
Ⓕ Inside depth	24 3/8"
Flush with refrigerator door - full door rotation	
Ⓖ Inside width	37 1/4"
Ⓗ Inside depth flush to flat door	27 3/8"
Flush with refrigerator door - 90° rotation	
Ⓙ Inside width	35 3/8"
Ⓚ Inside depth flush to flat door	27 3/8"
Minimum clearances	
Ⓛ Side clearance	3/4"
Ⓜ Side clearance - hinge side flush with door - full rotation	5 3/8"
Ⓨ Side clearance - hinge side flush with door - 90° rotation	3 1/2"
Ⓩ Rear clearance (including evaporator tray)	1 1/8"
Ⓟ Vent (above refrigerator cabinet or around top of cupboard)	2"
Ⓠ Door clearance - hinge side flush with chassis - full rotation	25 3/8"
Ⓡ Door clearance - hinge side flush with door - full rotation	20 7/8"



17.6 cu.ft Bottom Freezer Refrigerator (Curved door)

Model no:
E522BRXU2, E522BLXU2 (Ice & Water)

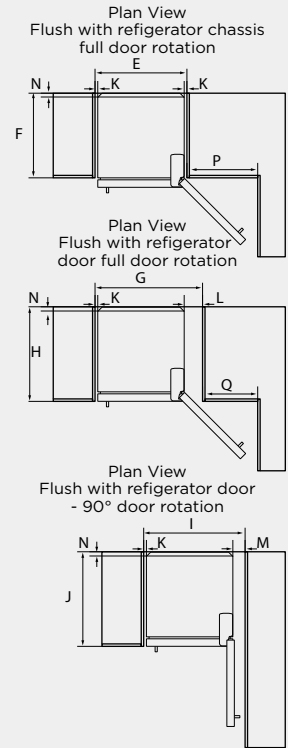
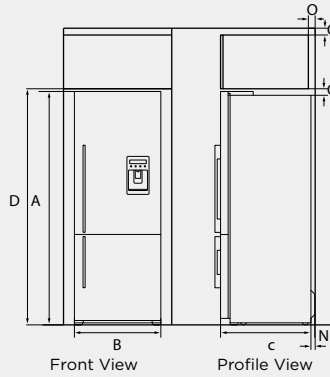
Dimensions	inches
Ⓐ Overall height of product	67 1/8"
Ⓑ Overall width of product	31 1/8"
Ⓒ Overall depth of product (excl. handle, incl. evaporator)	28 1/8"
Cabinetry dimensions	
Ⓓ Inside height of cavity	68 3/8"
Flush with refrigerator chassis - full door rotation	
Ⓔ Inside width	32 3/4"
Ⓕ Inside depth	24 3/8"
Flush with refrigerator door - full door rotation	
Ⓖ Inside width	37 1/4"
Ⓗ Inside depth flush to curved door	26 3/4"
Flush with refrigerator door - 90° rotation	
Ⓙ Inside width	35 3/8"
Ⓚ Inside depth flush to curved door	26 3/4"
Minimum clearances	
Ⓛ Side clearance	3/4"
Ⓜ Side clearance - hinge side flush with door - full rotation	5 3/8"
Ⓨ Side clearance - hinge side flush with door - 90° rotation	3 1/2"
Ⓩ Rear clearance (incl. evaporator tray)	1 1/8"
Ⓟ Vent (above refrigerator cabinet or around top of cupboard)	2"
Ⓠ Door clearance - hinge side flush with chassis - full rotation	25 3/8"
Ⓡ Door clearance - hinge side flush with door - full rotation	20 7/8"



13.5 cu.ft Bottom Freezer Refrigerator (Flat door)

Model no:
RF135BDRUX1, RF135BDLUX1 (ice & Water),
RF135BDRX1, RF135BDLX1

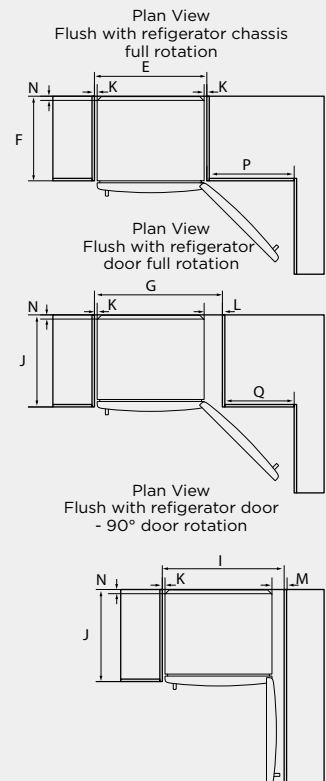
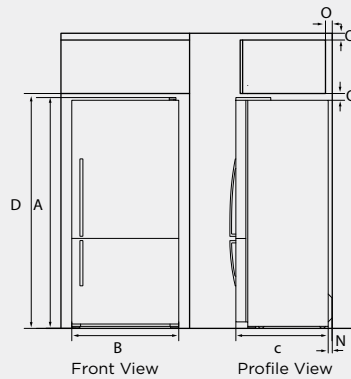
Dimensions	inches
Ⓐ Overall height of product	67 1/2"
Ⓑ Overall width of product	25"
Ⓒ Overall depth of product (excl. handle, incl. evaporator)	27 3/8"
Cabinetry dimensions	
Ⓓ Inside height of cavity	68 3/8"
Flush with refrigerator chassis - full door rotation	
Ⓔ Inside width	26 1/2"
Ⓕ Inside depth	24 3/8"
Flush with refrigerator door - full door rotation	
Ⓖ Inside width	31 1/8"
Ⓗ Inside depth flush to flat door	27 3/8"
Flush with refrigerator door - 90° rotation	
Ⓙ Inside width	29 3/8"
Ⓚ Inside depth flush to flat door	27 3/8"
Minimum clearances	
Ⓛ Side clearance	3/4"
Ⓜ Side clearance - hinge side flush with door - full rotation	5 1/8"
Ⓨ Side clearance - hinge side flush with door - 90° rotation	3 1/2"
Ⓩ Rear clearance (including evaporator tray)	1 1/8"
ⓐ Vent (above refrigerator cabinet or around top of cupboard)	2"
ⓑ Door clearance - hinge side flush with chassis - full rotation	25 3/8"
ⓓ Door clearance - hinge side flush with door - full rotation	20 7/8"



17.6 cu.ft Bottom Freezer Refrigerator (Curved door)

Model no:
E522BRX2, E522BRE2

Dimensions	inches
Ⓐ Overall height of product	66 3/4"
Ⓑ Overall width of product	31 1/8"
Ⓒ Overall depth of product (excl. handles, incl. evaporator)	28 1/8"
Cabinetry dimensions	
Ⓓ Inside height of cavity	68 3/8"
Flush with refrigerator chassis - full door rotation	
Ⓔ Inside width	32 3/4"
Ⓕ Inside depth	24 3/8"
Flush with refrigerator door - full door rotation	
Ⓖ Inside width	37 1/4"
Ⓗ Inside depth flush to flat door	26 3/4"
Flush with refrigerator door - 90° rotation	
Ⓙ Inside width	35 3/8"
Ⓚ Inside depth flush to flat door	26 3/4"
Minimum clearances	
Ⓛ Side clearance	3/4"
Ⓜ Side clearance - hinge side flush with door - full rotation	5 1/8"
Ⓨ Side clearance - hinge side flush with door - 90° rotation	3 1/2"
Ⓩ Rear clearance (incl. evaporator tray)	1 1/8"
ⓐ Vent (above refrigerator cabinet or around top of cupboard)	2"
ⓑ Door clearance - hinge side flush with chassis - full rotation	25 3/8"
ⓓ Door clearance - hinge side flush with door - full rotation	20 7/8"

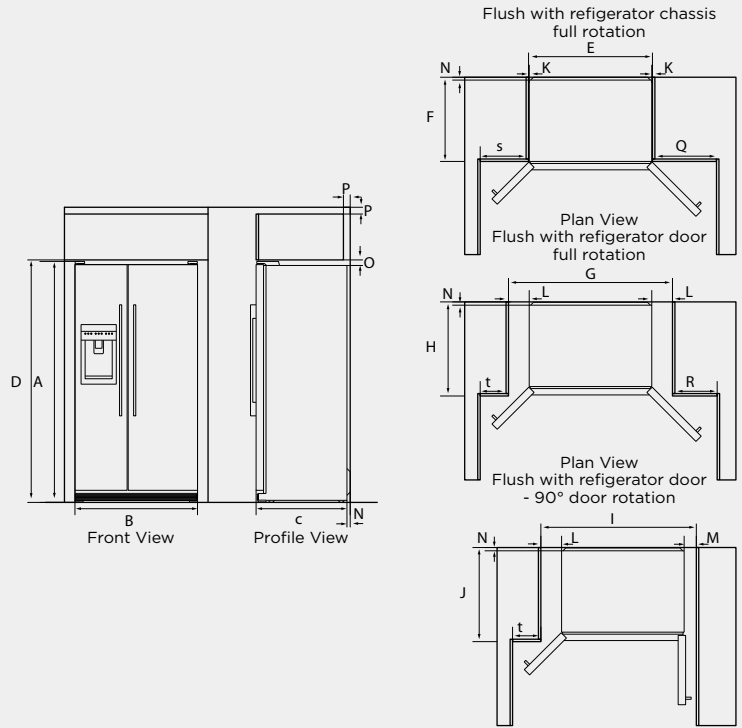


21.6 cu.ft Side by Side Refrigerator

Model no:

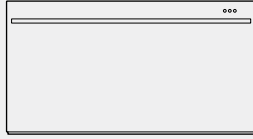
RX216DT7XV2, RX216CT4XV2

Dimensions	inches
Ⓐ Overall height of product	70"
Ⓑ Overall width of product	35 5/8"
Ⓒ Overall depth of product (excl. handle, incl. evaporator)	27 3/8"
Cabinetry dimensions	
Ⓓ Inside height of cavity	70 1/2"
Flush with refrigerator chassis	
Ⓔ Inside width	36"
Ⓕ Inside depth	24 1/2"
Flush with refrigerator door	
Ⓖ Inside width	47 5/8"
Ⓗ Inside depth flush to flat door	27 3/8"
Flush with refrigerator door - 90° rotation	
Ⓙ Inside width	45 1/8"
Ⓚ Inside depth flush to flat door	27 3/8"
Minimum clearances	
Ⓛ Side clearance	3/16"
Ⓜ Side clearance - flush with door - full rotation	6"
Ⓨ Side clearance - flush with door - 90° rotation	3 3/16"
Ⓩ Rear clearance (incl. rear compartment)	1"
ⓐ Top clearance - above refrigerator cabinet	1 1/4"
ⓑ Vent-around top of cupboard (optional)	2"
ⓓ Door clearance - hinge side flush with chassis - full rotation	18 5/8"
ⓔ Door clearance - hinge side flush with door - full rotation	13"
ⓕ Small door clearance - hinge side flush with chassis - full rotation	14"
ⓖ Small door clearance - hinge side flush with door - full rotation	8 1/4"

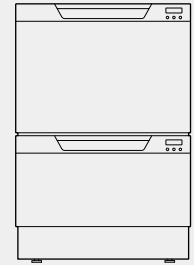
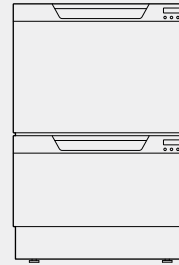
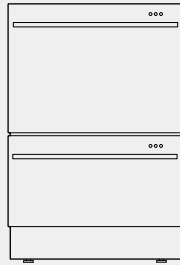


CLEAN

CLEAN

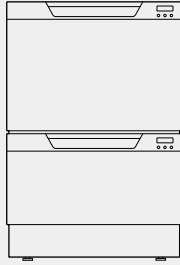


Type of appliance	DishDrawer™ Wide Dishwasher	DishDrawer™ Wide Dishwasher
Model no.	DD36SDFTX2	DD36ST12
Finish	EZKleen Stainless Steel Flat Door Designer Handle	Integrated (apply your own cabinetry façade)
Dimensions (excl. handles)	H18 13/16" x W35 1/4" x D22 1/2"	H18 13/16" x W33 1/16" x D22 1/2"
Energy rating	ENERGY STAR rated CEE tier 1	ENERGY STAR rated CEE tier 1
Water usage	3.5 gallons per cycle	3.5 gallons per cycle
Performance		
SmartDrive™ Technology	●	●
Water level sensing	●	●
Flow through detergent dispenser	●	●
Quiet operation	●	●
Fan assisted drying	●	●
Capacity and loading		
Place settings	9	9
Flexible racking system	●	●
Fold down tines	●	●
Adjustable racks and cup racks	●	●
Accommodates long stemmed glasses	●	●
Accommodates plates up to	12 7/16"	12 7/16"
Wash programs		
9 wash programs	●	●
Eco options	●	●
Permanent memory of the last cycle used	●	●
Safety		
Three stage total flood protection	●	●
Controls		
Wireless remote		●
Concealed control panels with single touch programming	●	●
Key lock	●	
Child lock	●	●
End of cycle beeps	●	●
One button start	●	●
Energy saving delay start option up to 12 hours	●	●
Rinse aid indicator light and lens	●	●
Electronic fault/Diagnostic indicator	●	●
Power requirements		
Supply voltage	110-120V	110-120V
Supply frequency	60Hz	60Hz
AMP draw	6.9A	6.9A
Accessories		
Cutlery basket	1	1
Knife clip	1	1
Warranty	1 year	1 year



Type of appliance	DishDrawer™ Tall Double Dishwasher	DishDrawer™ Tall Double Dishwasher	DishDrawer™ Tall Double Dishwasher	DishDrawer™ Tall Double Dishwasher
Model no.	DD24DDFTX7	DD24DHTI7	DD24DCTX7	DD24DCTB7
Finish	EZKleen Stainless Steel Flat Door Designer Handle	Integrated (apply your own cabinetry façade)	EZKleen Stainless Steel Curved Door	Black Curved Door
Dimensions (excl. handles)	H34-36 3/8" x W23 9/16" x D22 1/2"	H34-36 3/8" x W23 9/16" x D22 1/2"	H34-36 3/8" x W23 9/16" x D22 15/16"	H34-36 3/8" x W23 9/16" x D22 15/16"
Energy rating	ENERGY STAR rated CEE tier 1	ENERGY STAR rated CEE tier 1	ENERGY STAR rated CEE tier 1	ENERGY STAR rated CEE tier 1
Water usage	2 gallons per drawer	2 gallons per drawer	2 gallons per drawer	2 gallons per drawer
Performance				
SmartDrive™ Technology	●	●	●	●
Water level sensing	●	●	●	●
Flow through detergent dispenser	●	●	●	●
Quiet operation	●	●	●	●
Fan assisted drying	●	●	●	●
Built-in water softener		DD24DHTI7 model only	DD24DCTX7 model only	
Capacity and loading				
Place settings per drawer	7	7	7	7
Flexible racking system	●	●	●	●
Fold down and pitch adjustable tines	●	●	●	●
Adjustable racks and cup racks	●	●	●	●
Accommodates long stemmed glasses	●	●	●	●
Accommodates plates up to	13" Top Drawer	13" Top Drawer	13" Top Drawer	13" Top Drawer
Wash programs				
9 wash programs	●	●	●	●
Genuine half load wash option	●	●	●	●
Eco options	●	●	●	●
Permanent memory of the last cycle used	●	●	●	●
Safety				
Three stage total flood protection	●	●	●	●
Controls				
Wireless remote		●		
Concealed control panels with single touch programming	●	●	●	●
Key lock	●		●	●
Child lock	●	●	●	●
End of cycle beeps	●	●	●	●
One button start	●	●	●	●
Energy saving delay start option up to 12 hours	●	●	●	●
Rinse aid indicator light and lens	●	●	●	●
Electronic fault/Diagnostic indicator	●	●	●	●
Power requirements				
Supply voltage	110-120V	110-120V	110-120V	110-120V
Supply frequency	60Hz	60Hz	60Hz	60Hz
AMP draw	10.6A	10.6A	10.6A	10.6A
Accessories				
Cutlery basket	2	2	2	2
Knife clip	4	4	4	4
Kickstrip	1	1	1	1
Warranty	1 year	1 year	1 year	1 year

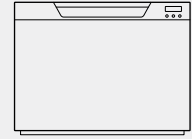
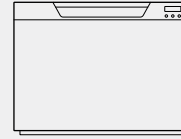
CLEAN



Type of appliance	DishDrawer™ Tall Double Dishwasher
Model no.	DD24DCTW7
Finish	White Curved Door
Dimensions (excl. handles)	H34-36 ³ / ₈ " x W23 ³ / ₈ " x D22 ¹ / ₂ "
Energy rating	ENERGY STAR rated CEE tier 1
Water usage	2 gallons per drawer
Performance	
SmartDrive™ Technology	●
Water level sensing	●
Flow through detergent dispenser	●
Quiet operation	●
Fan assisted drying	●
Built-in water softener	
Capacity and loading	
Place settings per drawer	7
Flexible racking system	●
Fold down and pitch adjustable tines	●
Adjustable racks and cup racks	●
Accommodates long stemmed glasses	●
Accommodates plates up to	13" Top Drawer
Wash programs	
9 wash programs	●
Genuine half load wash option	●
Eco options	●
Permanent memory of the last cycle used	●
Safety	
Three stage total flood protection	●
Controls	
Wireless remote	
Concealed control panels with single touch programming	●
Key lock	●
Child lock	●
End of cycle beeps	●
One button start	●
Energy saving delay start option up to 12 hours	●
Rinse aid indicator light and lens	●
Electronic fault/Diagnostic indicator	●
Power requirements	
Supply voltage	110-120V
Supply frequency	60Hz
AMP draw	10.6A
Accessories	
Cutlery basket	2
Knife clip	4
Kickstrip	1
Warranty	1 year

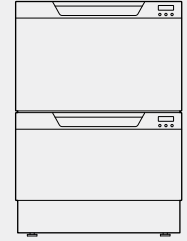
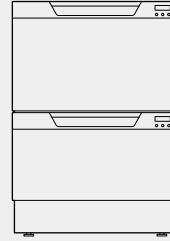
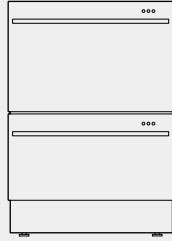


Type of appliance	DishDrawer™ Tall Single Dishwasher
Model no.	DD24SDFTX7
Finish	EZKleen Stainless Steel Flat Door Designer Handle
Dimensions (excl. handles)	H18 ¹ / ₈ " x W23 ³ / ₈ " x D22 ¹ / ₂ "
Energy rating	ENERGY STAR rated CEE tier 1
Water usage	2 gallons per cycle
Performance	
SmartDrive™ Technology	●
Water level sensing	●
Flow through detergent dispenser	●
Quiet operation	●
Fan assisted drying	●
Built-in water softener	
Capacity and loading	
Place settings	7
Flexible racking system	●
Fold down and pitch adjustable tines	●
Adjustable racks and cup racks	●
Accommodates long stemmed glasses	●
Accommodates plates up to	13"
Wash programs	
9 wash programs	●
Eco options	●
Permanent memory of the last cycle used	●
Safety	
Three stage total flood protection	●
Controls	
Wireless remote	
Concealed control panels with single touch programming	●
Key lock	●
Child lock	●
End of cycle beeps	●
One button start	●
Energy saving delay start option up to 12 hours	●
Rinse aid indicator light and lens	●
Electronic fault/Diagnostic indicator	●
Power requirements	
Supply voltage	110-120V
Supply frequency	60Hz
AMP draw	5.8A
Accessories	
Cutlery basket	1
Knife clip	2
Warranty	1 year

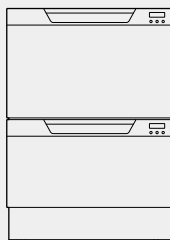


Type of appliance	DishDrawer™ Tall Single Dishwasher	DishDrawer™ Tall Single Dishwasher	DishDrawer™ Tall Single Dishwasher	DishDrawer™ Tall Single Dishwasher
Model no.	DD24STI7 DD24SHTI7	DD24SCTX7 DD24SCHTX7	DD24SCTB7	DD24SCTW7
Finish	Integrated (apply your own cabinetry façade)	EZKleen Stainless Steel Curved Door	Black Curved Door	White Curved Door
Dimensions (excl. handles)	H17 ⁷ / ₈ –18 ¹ / ₈ " x W23 ³ / ₈ " x D22 ¹ / ₂ "	H17 ⁷ / ₈ " x W23 ³ / ₈ " x D22 ¹ / ₈ "	H17 ⁷ / ₈ " x W23 ³ / ₈ " x D22 ¹ / ₈ "	H17 ⁷ / ₈ " x W23 ³ / ₈ " x D22 ¹ / ₈ "
Energy rating	ENERGY STAR rated CEE tier 1	ENERGY STAR rated CEE tier 1	ENERGY STAR rated CEE tier 1	ENERGY STAR rated CEE tier 1
Water usage	2 gallons per cycle	2 gallons per cycle	2 gallons per cycle	2 gallons per cycle
Performance				
SmartDrive™ Technology	●	●	●	●
Water level sensing	●	●	●	●
Flow through detergent dispenser	●	●	●	●
Quiet operation	●	●	●	●
Fan assisted drying	●	●	●	●
Built-in water softener	DD24SHTI7 model only			
Capacity and loading				
Place settings	7	7	7	7
Flexible racking system	●	●	●	●
Fold down and pitch adjustable tines	●	●	●	●
Adjustable racks and cup racks	●	●	●	●
Accommodates long stemmed glasses	●	●	●	●
Accommodates plates up to	13"	13"	13"	13"
Wash programs				
9 wash programs	●	●	●	●
Eco options	●	●	●	●
Permanent memory of the last cycle used	●	●	●	●
Safety				
Three stage total flood protection	●	●	●	●
Controls				
Wireless remote	●			
Concealed control panels with single touch programming	●	●	●	●
Key lock		●	●	●
Child lock	●	●	●	●
End of cycle beeps	●	●	●	●
One button start	●	●	●	●
Energy saving delay start option up to 12 hours	●	●	●	●
Rinse aid indicator light and lens	●	●	●	●
Electronic fault/Diagnostic indicator	●	●	●	●
Power requirements				
Supply voltage	110–120V	110–120V	110–120V	110–120V
Supply frequency	60Hz	60Hz	60Hz	60Hz
AMP draw	5.8A	5.8A	5.8A	5.8A
Accessories				
Cutlery basket	1	1	1	1
Knife clip	2	2	2	2
Warranty	1 year	1 year	1 year	1 year

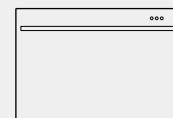
CLEAN



Type of appliance	DishDrawer™ Double Dishwasher DD24DDFX7	DishDrawer™ Double Dishwasher DD24DI7	DishDrawer™ Double Dishwasher DD24DCX7	DishDrawer™ Double Dishwasher DD24DCB7
Model no.	DD24DDFX7	DD24DI7	DD24DCX7	DD24DCB7
Finish	EZKleen Stainless Steel Flat Door Designer Handle	Integrated (apply your own cabinetry façade)	EZKleen Stainless Steel Curved Door	Black Curved Door
Dimensions (excl. handles)	H32 5/16-34 5/16" x W23 3/16" x D22 1/2"	H32 5/16-34 5/16" x W23 3/16" x D22 1/2"	H32 5/16-34 5/16" x W23 3/16" x D22 1/2"	H32 5/16-34 5/16" x W23 3/16" x D22 1/2"
Energy rating	ENERGY STAR rated CEE tier 1	ENERGY STAR rated CEE tier 1	ENERGY STAR rated CEE tier 1	ENERGY STAR rated CEE tier 1
Water usage	2 gallons per drawer	2 gallons per drawer	2 gallons per drawer	2 gallons per drawer
Performance				
SmartDrive™ Technology	●	●	●	●
Water level sensing	●	●	●	●
Flow through detergent dispenser	●	●	●	●
Quiet operation	●	●	●	●
Fan assisted drying	●	●	●	●
Capacity and loading				
Place settings per drawer	7	7	7	7
Flexible racking system	●	●	●	●
Fold down and pitch adjustable tines	●	●	●	●
Adjustable racks and cup racks	●	●	●	●
Accommodates long stemmed glasses	●	●	●	●
Accommodates plates up to	11 1/2"	11 1/2"	11 1/2"	11 1/2"
Wash programs				
9 wash programs	●	●	●	●
Genuine half load wash option	●	●	●	●
Eco options	●	●	●	●
Permanent memory of the last cycle used	●	●	●	●
Safety				
Three stage total flood protection	●	●	●	●
Controls				
Wireless remote		●		
Concealed control panels with single touch programming	●	●	●	●
Key lock	●		●	●
Child lock	●	●	●	●
End of cycle beeps	●	●	●	●
One button start	●	●	●	●
Energy saving delay start option up to 12 hours	●	●	●	●
Rinse aid indicator light and lens	●	●	●	●
Electronic fault/Diagnostic indicator	●	●	●	●
Power requirements				
Supply voltage	110-120V	110-120V	110-120V	110-120V
Supply frequency	60Hz	60Hz	60Hz	60Hz
AMP draw	10.6A	10.6A	10.6A	10.6A
Accessories				
Cutlery basket	2	2	2	2
Knife clip	4	4	4	4
Kickstrip	1	1	1	1
Warranty	1 year	1 year	1 year	1 year

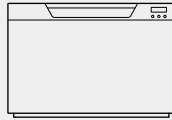


Type of appliance	DishDrawer™ Double Dishwasher
Model no.	DD24DCW7
Finish	White Curved Door
Dimensions (excl. handles)	H32 5/16-34 5/16" x W23 3/16" x D22 1/16"
Energy rating	ENERGY STAR rated CEE tier 1
Water usage	2 gallons per drawer
Performance	
SmartDrive™ Technology	●
Water level sensing	●
Flow through detergent dispenser	●
Quiet operation	●
Fan assisted drying	●
Capacity and loading	
Place settings per drawer	7
Flexible racking system	●
Fold down and pitch adjustable tines	●
Adjustable racks and cup racks	●
Accommodates long stemmed glasses	●
Accommodates plates up to	11 1/2"
Wash programs	
9 wash programs	●
Genuine half load wash option	●
Eco options	●
Permanent memory of the last cycle used	●
Safety	
Three stage total flood protection	●
Controls	
Wireless remote	
Concealed control panels with single touch programming	●
Key lock	●
Child lock	●
End of cycle beeps	●
One button start	●
Energy saving delay start option up to 12 hours	●
Rinse aid indicator light and lens	●
Electronic fault/Diagnostic indicator	●
Power requirements	
Supply voltage	110-120V
Supply frequency	60Hz
AMP draw	10.6A
Accessories	
Cutlery basket	2
Knife clip	4
Kickstrip	1
Warranty	1 year



Type of appliance	DishDrawer™ Single Dishwasher
Model no.	DD24SDFX7
Finish	EZKleen Stainless Steel Flat Door Designer Handle
Dimensions (excl. handles)	H16 1/8" x W23 3/16" x D22 1/2"
Energy rating	ENERGY STAR rated CEE tier 1
Water usage	2 gallons per cycle
Performance	
SmartDrive™ Technology	●
Water level sensing	●
Flow through detergent dispenser	●
Quiet operation	●
Fan assisted drying	●
Capacity and loading	
Place settings	7
Flexible racking system	●
Fold down and pitch adjustable tines	●
Adjustable racks and cup racks	●
Accommodates long stemmed glasses	●
Accommodates plates up to	11 1/2"
Wash programs	
9 wash programs	●
Eco options	●
Permanent memory of the last cycle used	●
Safety	
Three stage total flood protection	●
Controls	
Wireless remote	
Concealed control panels with single touch programming	●
Key lock	●
Child lock	●
End of cycle beeps	●
One button start	●
Energy saving delay start option up to 12 hours	●
Rinse aid indicator light and lens	●
Electronic fault/Diagnostic indicator	●
Power requirements	
Supply voltage	110-120V
Supply frequency	60Hz
AMP draw	5.8A
Accessories	
Cutlery basket	1
Knife clip	2
Warranty	1 year

CLEAN

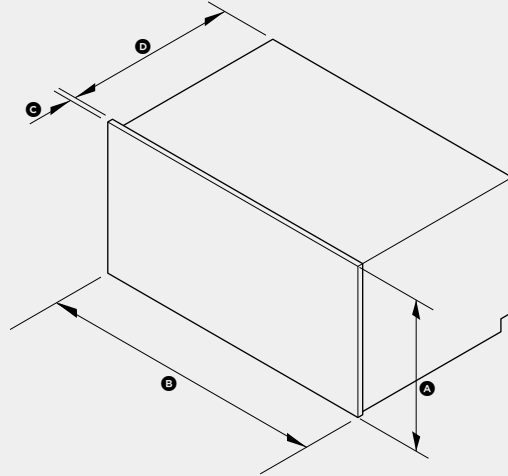


Type of appliance	DishDrawer™ Single Dishwasher	DishDrawer™ Single Dishwasher	DishDrawer™ Single Dishwasher	DishDrawer™ Single Dishwasher
Model no.	DD24SI7	DD24SCX7	DD24SCB7	DD24SCW7
Finish	Integrated (apply your own cabinetry façade)	EZKleen Stainless Steel Curved Door	Black Curved Door	White Curved Door
Dimensions (excl. handles)	H16 1/8" x W23 3/16" x D22 1/2"	H16 1/8" x W23 3/16" x D22 15/16"	H16 1/8" x W23 3/16" x D22 15/16"	H16 1/8" x W23 3/16" x D22 15/16"
Energy rating	ENERGY STAR rated CEE tier 1	ENERGY STAR rated CEE tier 1	ENERGY STAR rated CEE tier 1	ENERGY STAR rated CEE tier 1
Water usage	2 gallons per cycle	2 gallons per cycle	2 gallons per cycle	2 gallons per cycle
Performance				
SmartDrive™ Technology	●	●	●	●
Water level sensing	●	●	●	●
Flow through detergent dispenser	●	●	●	●
Quiet operation	●	●	●	●
Fan assisted drying	●	●	●	●
Capacity and loading				
Place settings	7	7	7	7
Flexible racking system	●	●	●	●
Fold down and pitch adjustable tines	●	●	●	●
Adjustable racks and cup racks	●	●	●	●
Accommodates long stemmed glasses	●	●	●	●
Accommodates plates up to	11 1/2"	11 1/2"	11 1/2"	11 1/2"
Wash programs				
9 wash programs	●	●	●	●
Eco options	●	●	●	●
Permanent memory of the last cycle used	●	●	●	●
Safety				
Three stage total flood protection	●	●	●	●
Controls				
Wireless remote	●			
Concealed control panels with single touch programming	●	●	●	●
Key lock		●	●	●
Child lock	●	●	●	●
End of cycle beeps	●	●	●	●
One button start	●	●	●	●
Energy saving delay start option up to 12 hours	●	●	●	●
Rinse aid indicator light and lens	●	●	●	●
Electronic fault/Diagnostic indicator	●	●	●	●
Power requirements				
Supply voltage	110-120V	110-120V	110-120V	110-120V
Supply frequency	60Hz	60Hz	60Hz	60Hz
AMP draw	5.8A	5.8A	5.8A	5.8A
Accessories				
Cutlery basket	1	1	1	1
Knife clip	2	2	2	1
Warranty	1 year	1 year	1 year	1 year

DishDrawer™ Wide Dishwasher

Model no:
DD36SDFTX2

Dimensions	inches
Ⓐ Overall height of product	18 13/16"
Ⓑ Overall width of product	35 1/4"
Ⓒ Depth of product front (excl. handle)	13 1/8"
Ⓓ Depth of product chassis	21 3/4"

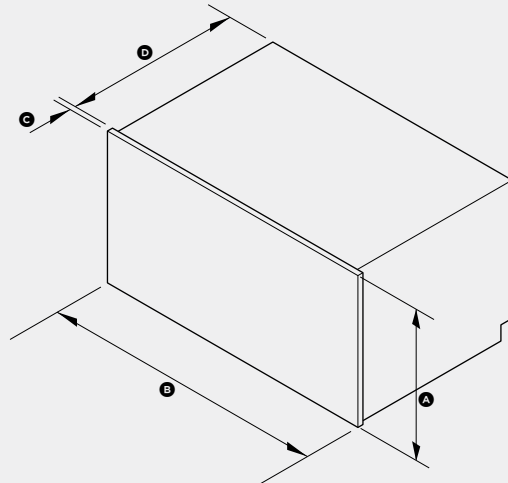


DishDrawer™ Wide Dishwasher

Model no:
DD36STI2

Dimensions	inches
Ⓐ Overall height of product	18 13/16"
Ⓑ Overall width of product	min. 33 1/16"
Ⓒ Depth of product front (excl. handle)	5/8 - 13/16"
Ⓓ Depth of product chassis	21 3/4"

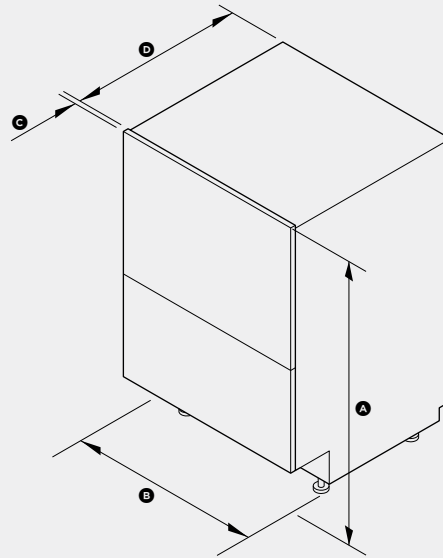
*Door panel to be manufactured and fitted by cabinetmaker.



DishDrawer™ Tall Double Dishwasher

Model no:
DD24DDFTX7

Dimensions	inches
Ⓐ Overall height of product	min. 34" - max. 36 3/8"
Ⓑ Overall width of product	23 3/16"
Ⓒ Depth of product front (excl. handle)	1 1/16"
Ⓓ Depth of product chassis	21 3/4"

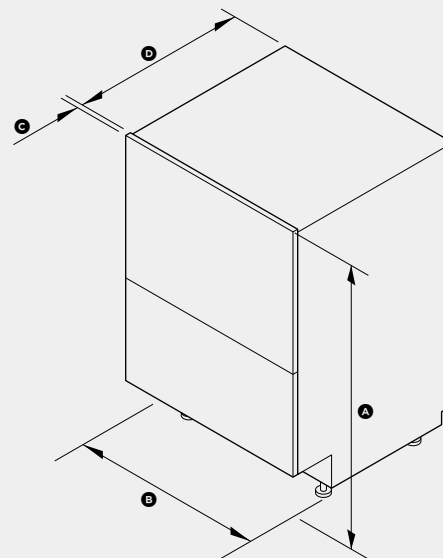


DishDrawer™ Tall Double Dishwasher

Model no:
DD24DTI7, DD24DHTI7

Dimensions	inches
Ⓐ Overall height of product	min. 34" - max. 36 3/8"
Ⓑ Overall width of product	23 3/16"
Ⓒ Depth of product front (excl. handle)	5/8 - 1 3/16"
Ⓓ Depth of product chassis	21 3/4"

*Door panels to be manufactured and fitted by cabinetmaker.



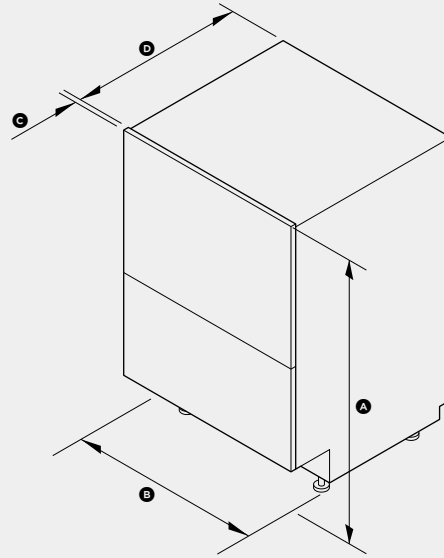
DishDrawer™ Tall Double Dishwasher

Model no:

DD24DCTX7, DD24DCHTX7, DD24DCTB7, DD24DCTW7

Dimensions	inches
Ⓐ Overall height of product	min. 34" - max. 36 3/8"
Ⓑ Overall width of product	23 3/16"
Ⓒ Depth of product front (excl. handle)	13/16"
Ⓓ Depth of product chassis	21 3/4"

*Product front varies along the curve to a depth of 1 1/8".

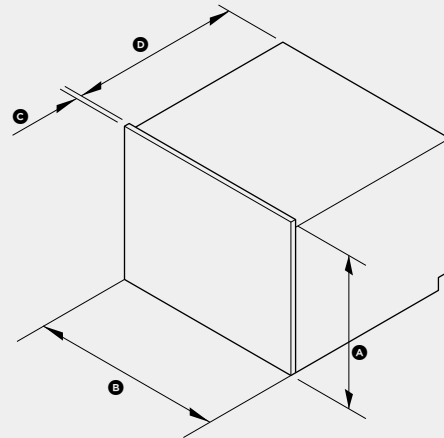


DishDrawer™ Tall Single Dishwasher

Model no:

DD24SDFTX7

Dimensions	inches
Ⓐ Overall height of product	18 13/16"
Ⓑ Overall width of product	23 3/16"
Ⓒ Depth of product front (excl. handle)	13/16"
Ⓓ Depth of product chassis	21 3/4"



DishDrawer™ Tall Single Dishwasher

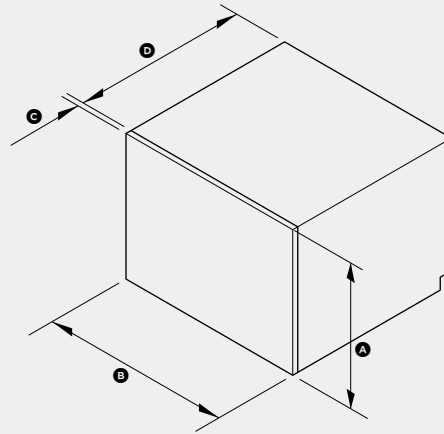
Model no:

DD24STI7, DD24SHTI7

Dimensions	inches
Ⓐ Overall height of product	17 7/8" - 18 3/16"**
Ⓑ Overall width of product	23 9/16"
Ⓒ Depth of product front (excl. handle)	5/8 - 13/16"**
Ⓓ Depth of product chassis	21 3/4"

*Door panels to be manufactured and fitted by cabinetmaker.

**You may choose to install Tall Height Integrated models into either a 17 7/8" or a 18 3/16" high cavity. Note: the minimum height of the custom drawer front panel will also be different for these options.



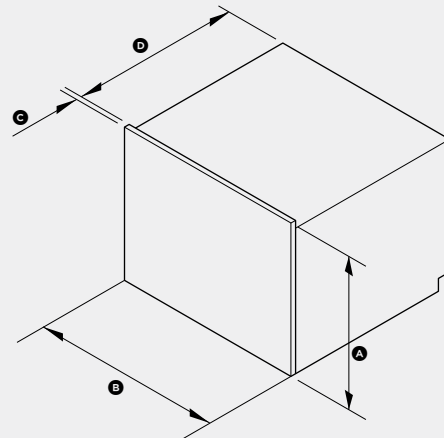
DishDrawer™ Tall Single Dishwasher

Model no:

DD24SCTX7, DD24SCHTX7, DD24SCTB7, DD24SCTW7

Dimensions	inches
Ⓐ Overall height of product	17 7/8"
Ⓑ Overall width of product	23 9/16"
Ⓒ Depth of product measured at edge of door	13/16**
Ⓓ Depth of product chassis	21 3/4"

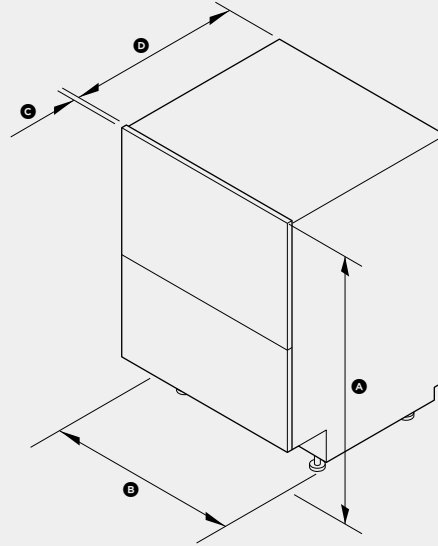
*Product varies along the curve to a depth of 1 1/8".



DishDrawer™ Double Dishwasher

Model no:
DD24DDFX7

Dimensions	inches
Ⓐ Overall height of product	min. 32 3/16" - max. 34 5/8"
Ⓑ Overall width of product	23 3/16"
Ⓒ Depth of product front (excl. handle)	1 1/16"
Ⓓ Depth of product chassis	21 3/4"

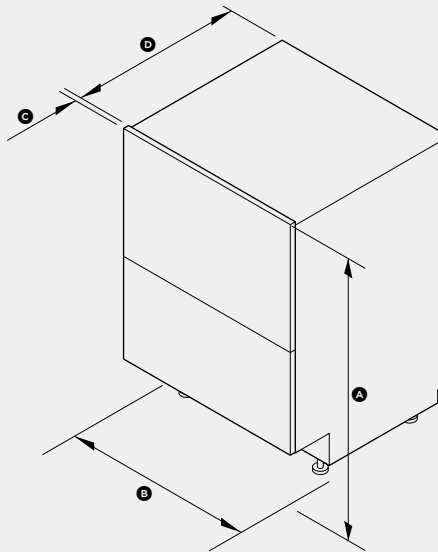


DishDrawer™ Double Dishwasher

Model no:
DD24DI7

Dimensions	inches
Ⓐ Overall height of product	min. 32 3/16" - max. 34 5/8"
Ⓑ Overall width of product	23 3/16"
Ⓒ Depth of product front (excl. handle)	5/8 - 1 3/16"*
Ⓓ Depth of product chassis	21 3/4"

*Door panels to be manufactured and fitted by cabinetmaker.



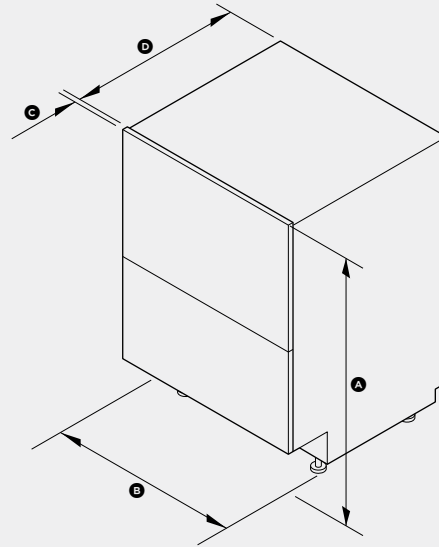
DishDrawer™ Double Dishwasher

Model no:

DD24DCX7, DD24DCB7, DD24DCW7

Dimensions	inches
Ⓐ Overall height of product	min. 32 5/16" - max. 34 5/8"
Ⓑ Overall width of product	23 5/16"
Ⓒ Depth of product front measured at edge of door	13 5/16"
Ⓓ Depth of product chassis	21 3/4"

*Product front varies along the curve to a depth of 1 1/8".

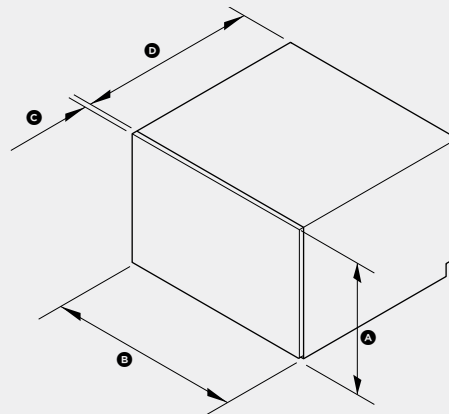


DishDrawer™ Single Dishwasher

Model no:

DD24SDFX7

Dimensions	inches
Ⓐ Overall height of product	16 1/8"
Ⓑ Overall width of product	23 5/16"
Ⓒ Depth of product front (excl. handle)	11 1/16"
Ⓓ Depth of product chassis	21 3/4"

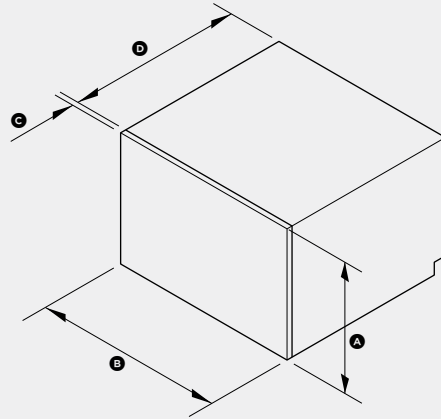


DishDrawer™ Single Dishwasher

Model no:
DD24SI7

Dimensions	inches
Ⓐ Overall height of product	16 1/8"
Ⓑ Overall width of product	23 3/16"
Ⓒ Depth of product front (excl. handle)	5/8 - 13/16"
Ⓓ Depth of product chassis	21 3/4"

*Door panels to be manufactured and fitted by cabinetmaker.

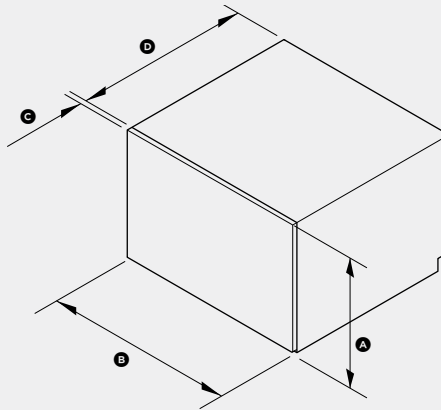


DishDrawer™ Single Dishwasher

Model no:
DD24SCX7, DD24SCB7, DD24SCW7

Dimensions	inches
Ⓐ Overall height of product	16 1/8"
Ⓑ Overall width of product	23 3/16"
Ⓒ Depth of product front measured at edge of door	13/16"
Ⓓ Depth of product chassis	21 3/4"

*Product front varies along the curve to a depth of 1 1/8".



FPBR0467 DECEMBER 2012.
Copyright © Fisher & Paykel 2012.
All Rights Reserved.

The product dimensions and specifications in this brochure apply to the specific products and models described at the date of issue. Under our policy of continuous product improvement, these dimensions and specifications may change at any time. You should therefore check with your dealer or Fisher & Paykel's Customer Care Center to ensure this brochure correctly describes the products currently available.

Important Notice of Disclaimer: Our brochure contains information on a wide subject of products which we manufacture and/or sell internationally. Some particular products, models or sizes which are detailed in this brochure may not be available for sale and purchase in your area or country, if available the product may have different options to those depicted in the brochure. Before agreeing to purchase a particular product by reference to this brochure please check its availability and accuracy of its description.

This brochure is printed on paper made from sustainable forests using elementary chlorine-free pulp and vegetable based ink. This brochure represents a green choice by Fisher & Paykel to participate in the growing movement towards social responsibility.

Fisher & Paykel Appliances, Inc
5900 Skylab Road
Huntington Beach
California 92647
USA

Fisher & Paykel Appliances Canada, Inc
4800 Eastgate Parkway
Unit 2, Mississauga
Ontario L4W 3W6
Canada

**A PEACE OF
MIND SALE**



**CUSTOMER CARE
CALL 24 HOURS A DAY, 7 DAYS A WEEK.**

Fisher & Paykel has a 24 hour enquiry service that allows customers to speak to a real person about any questions they might have about their products. Our Customer Care Representatives can offer advice on which appliance will best suit their needs, and provide extensive product knowledge on how to use a current Fisher & Paykel product. They can also arrange for a qualified service technician to install selected products and advise consumers where their nearest Fisher & Paykel stockist can be found. Nobody is better qualified to install, service and repair your Fisher & Paykel household appliance than our network of specially trained service technicians.

T 888.936.7872 **E** customercare@fisherpaykel.com

NKBA
The Kitchen & Bath Professionals

AMERICAN
SOCIETY OF
INTERIOR
DESIGNERS
ASID
INDUSTRY
PARTNER