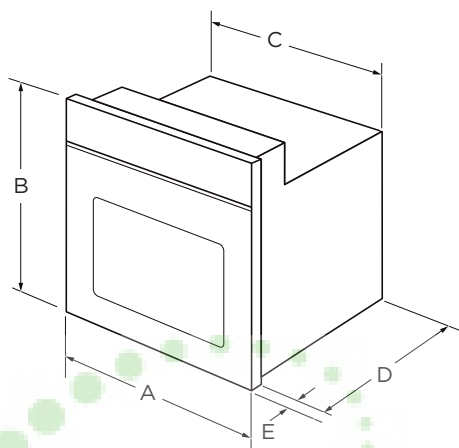


## 24" SINGLE BUILT IN OVEN DIMENSIONS

### OB24SDPX1



**AjMadison**  
 Your Appliance Authority™  
 800-570-3355

#### DIMENSIONS INCHES (MM)

	<b>OB24SDPX1</b>	
A Overall width	24"	(609.5)
B Overall height	24"	(609.5)
C Width of chassis	21 <sup>7</sup> / <sub>8</sub> " max	(556) max
D Depth of chassis	22 <sup>3</sup> / <sub>64</sub> " max	(560) max
E Depth of oven frame and control panel (excl. knobs)	1 <sup>5</sup> / <sub>16</sub> "	(24)

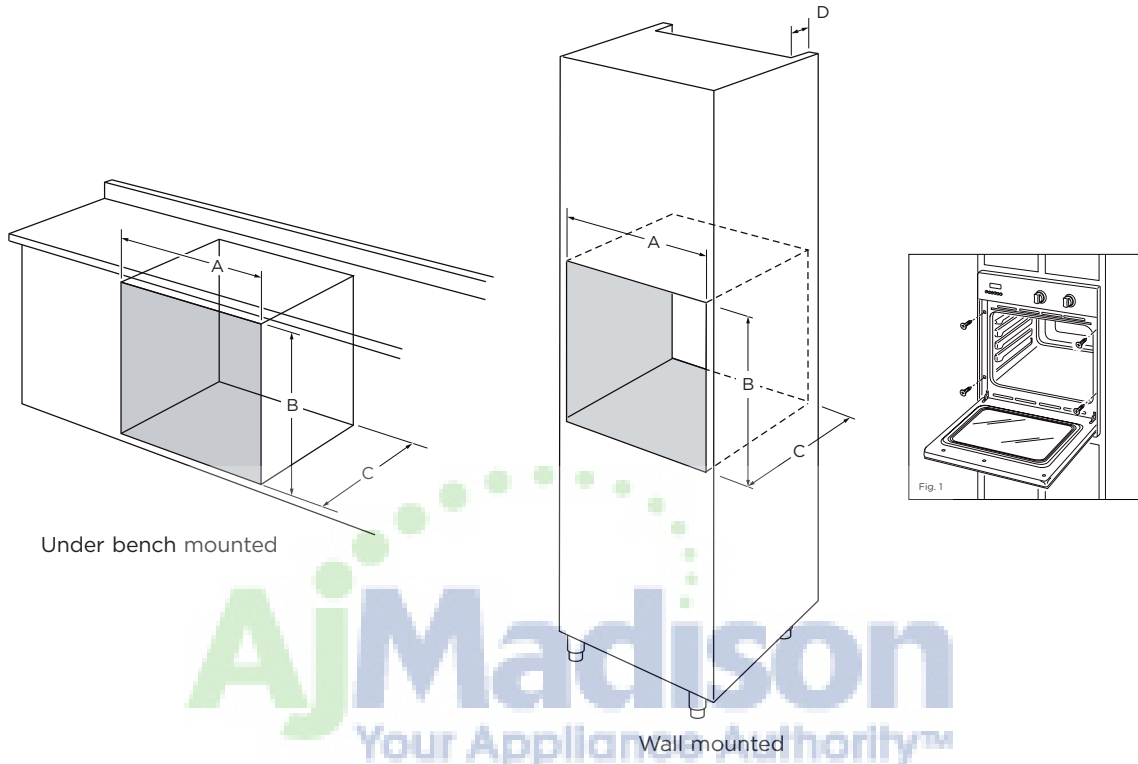
Product dimensions and specifications are listed as a guide only. For complete installation instructions and specifications, refer to the product Use & Care Guide/Installation Instructions available at [www.fisherpaykel.com](http://www.fisherpaykel.com)

**Fisher & Paykel**

fisherpaykel.com  
1.888.936.7872

# 24" SINGLE BUILT IN OVEN CABINET DIMENSIONS

## OB24SDPX1




  
 Your Appliance Authority™
   
 800-570-3355

### DIMENSIONS INCHES (MM)

	Under bench mounted		Wall mounted	
A Min. inside width of cavity	22 3/4"	(560)	22 3/4"	(560)
B Inside height of cavity	23 17/64"	(591)	23 1/32"	(585)
C Min. inside depth of cavity	22 7/16" min	(570) min	22 7/16" min	(570) min
D Depth of vent for wall mount installation			1 31/32"	(50)

Fig 1. If you open the oven door, you will see some screw holes. Remember the housing should not be free standing but be secured to the wall and/or adjacent fittings.

Product dimensions and specifications are listed as a guide only. For complete installation instructions and specifications, refer to the product Use & Care Guide/Installation Instructions available at [www.fisherpaykel.com](http://www.fisherpaykel.com)

**Fisher & Paykel**

fisherpaykel.com  
1.888.936.7872