

FISHER & PAYKEL

PRELIMINARY SPECIFICATION GUIDE

OVEN, 24"



OVERVIEW

Designed to fit seamlessly into any kitchen with Contemporary styling, these ovens feature a generous 3 cu ft total capacity. Achieve perfect results with Aerotech™ technology which circulates heat evenly throughout the cavity, ideal for multi-shelf cooking. Beautiful to use, the intuitive interface and dial offer simple guided cooking, while Pyrolytic self-cleaning breaks down grime and grease, to keep the oven pristine for the next use.

MODELS

Oven, 24", 16 Function OB24SD16PLX1
Oven, 24", 13 Function OB24SD13PLX1
Oven, 24", 9 Function OB24SD9PLX1
3 cu ft, Self-cleaning, Stainless steel, Dial

SERIES & STYLE

Series 7
Contemporary

ACCESSORIES

- 1 Baking tray
- 2 Roasting dish*
- 3 Broil rack*
- 4 Step down wire rack

FEATURES

- 1 Contemporary style, designed to fit flush with cabinetry
- 2 Generous 3 cu ft total capacity with six shelf positions
- 3 Intuitive 2.4" screen with illuminated dial
- 4 Up to 16 ovens functions
- 5 Pyrolytic self-cleaning function breaks down food residue for an easy clean
- 6 Guided cooking, with the option to access additional functionality via the SmartHQ™ app*
- 7 Wired Temperature Sensor**
- 8 Optimised moisture levels thanks to AeroTech™ technology
- 9 Wi-Fi/Connected capability*

*Selected markets and models

**Compatible with 16 and 13 function models only

- 5 Full extension sliding shelves*
- 6 Self-cleaning side runners*
- 7 Telescopic Runners*
- 8 Flat wire shelf*

*Selected markets and models

FISHER & PAYKEL

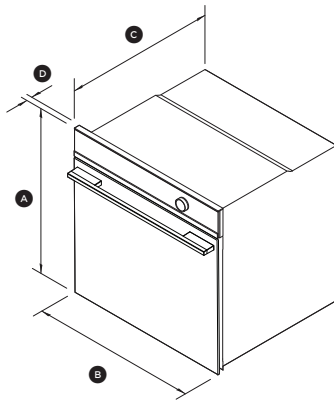
PRELIMINARY SPECIFICATION GUIDE

OVEN, 24"

SPECIFICATIONS

Model No.	OB24SD16PLX1, OB24SD13PLX1, OB24SD9PLX1
Dimensions	H 23 9/16" (598mm) x W 23 7/16" (596mm) x D 22 1/4" (565mm)
Total capacity	3 cu ft (85L)
Weight	70 lbs (32kg) unpackaged 97 lbs (44kg) packaged
Electrical	
Supply	208-240V, 60Hz
Service	16.6 - 19.4 A circuit

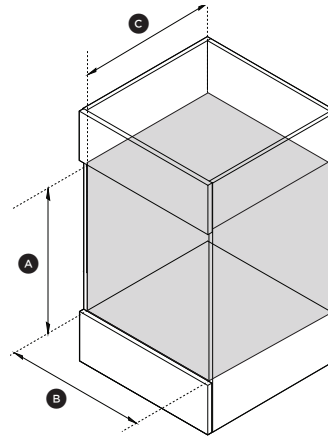
PRODUCT DIMENSIONS



ISO VIEW

		in	mm
(A)	Overall height	23 9/16	598
(B)	Overall width	23 7/16	596
(C)	Depth of chassis	21 7/16	545
(D)	Depth from front of chassis to front of oven door (excl.dial & handle)	13/16	20
	Depth of oven door when fully open (measured from front of control panel)	18 1/8	460

CAVITY DIMENSIONS



ISO VIEW

		in	mm
(A)	Minimum inside height of cavity	22 7/8	580
(B)	Minimum inside width of cavity	21 1/16	560
(C)	Minimum inside depth of cavity	21 11/16	550