



# No Lid Texan Electric Grill

## SPECIFICATIONS

<b>Part Number:</b>	B70401WH (240V) B70406WH (240V, no mounting holes) B70462WH (208V) B70462WHNH- (208V, no mounting holes)
<b>Control Type:</b>	Touch Control
<b>Cooking Area :</b>	310 Square Inches
<b>Burners:</b>	2
<b>Voltage:</b>	208V, 240V
<b>Amps.</b>	13
<b>Output:</b>	(2) Independent 1500 Watt Elements
<b>Overall Dimensions:</b>	29.5" W x 21" D x 5 1/2" H
<b>Cutout Dimensions:</b>	28" W x 18 1/2" D
<b>Actual Weight:</b>	42 lbs.



The Texan Grill is a double burner, built-in electric grill. Twice the size of standard Kenyon Grills, the Texan features dual heat control that provides precision cooking with independent controls for each burner. Utilizing two 1500-watt elements, the Texan can exceed temperatures of 550°F and operates virtually smokeless without any chance of flare-ups. Achieve the results you want for any kind of food, from seared steaks to tender grilled vegetables. Simply touch the On/Off circle, then raise or lower the heat setting by pressing the (+) or (-) graphic on the sealed, moisture-proof ceramic glass panel, and you are instantly cooking!



## FEATURES

- Preheats in less than 7 minutes.
- No hot or cold zones due to direct contact between the element and the cooking grate.
- Disposable drip trays are located below the element to trap drippings.
- Features an independent waterproof digital touch control panel.
- Powerful performance as cooking grate temperatures exceed 550°F for perfect searing.
- Nonstick grates impart characteristic grill marks and are dishwasher safe.
- Infuse grilled food with flavor by adding a variety of liquids to the drip tray.
- Automatic shut-off at 60 or 90 minutes, depending on the heat setting.
- Patented concealed electric elements eliminate flare-ups.
- Select between 8 different heat settings for the perfect temperature every time.

## ACCESSORIES



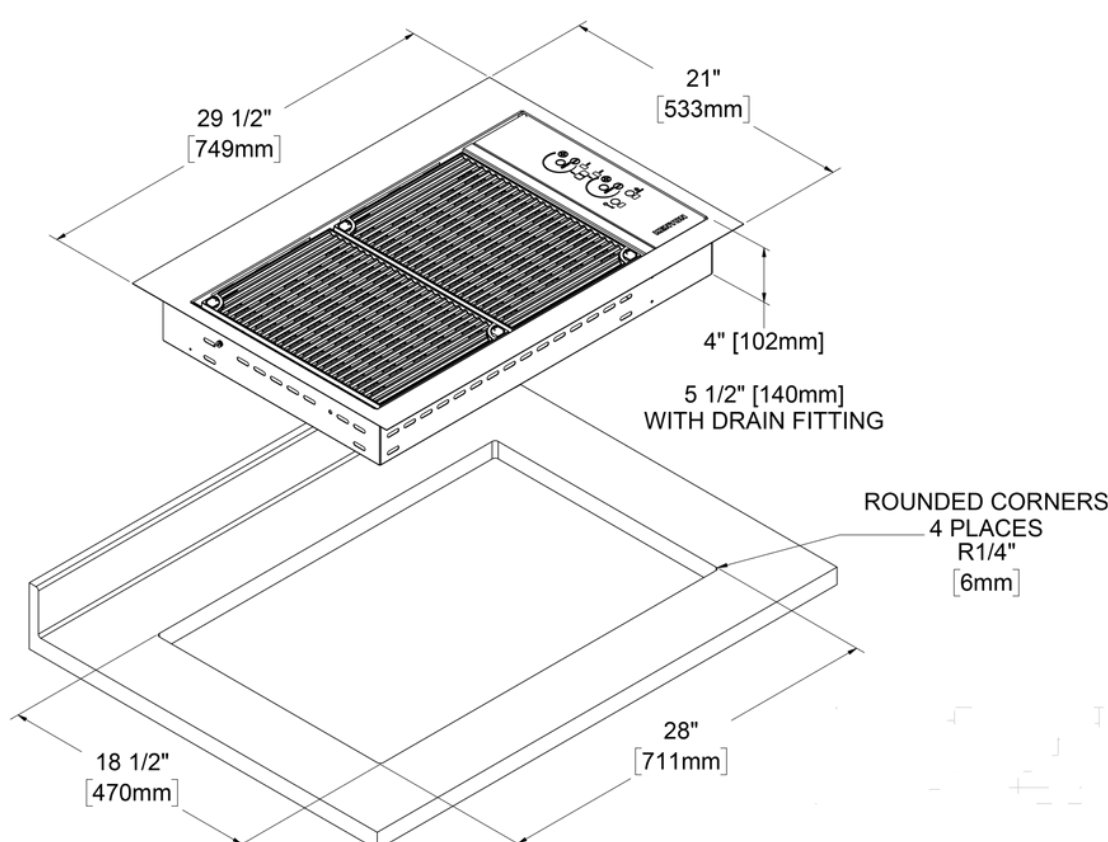
### GRIDDLE -B96000

A direct replacement for the cooking grate. Use the smooth griddle for eggs and pancakes.



### Utensil Kit-A70011

Protect your investment with a sunbrella cover specifically designed for the Texan Grill.



Kenyon backs every grill with a 3-year product replacement warranty



Stainless steel is backed by a lifetime rust-free guarantee



Constructed in the USA



Certified to UL-1026

# KENYON®

WWW.COOKWITHKENYON.COM

Kenyon International, Inc. | P.O. BOX 925 | Clinton, CT USA | (860) 664-4906