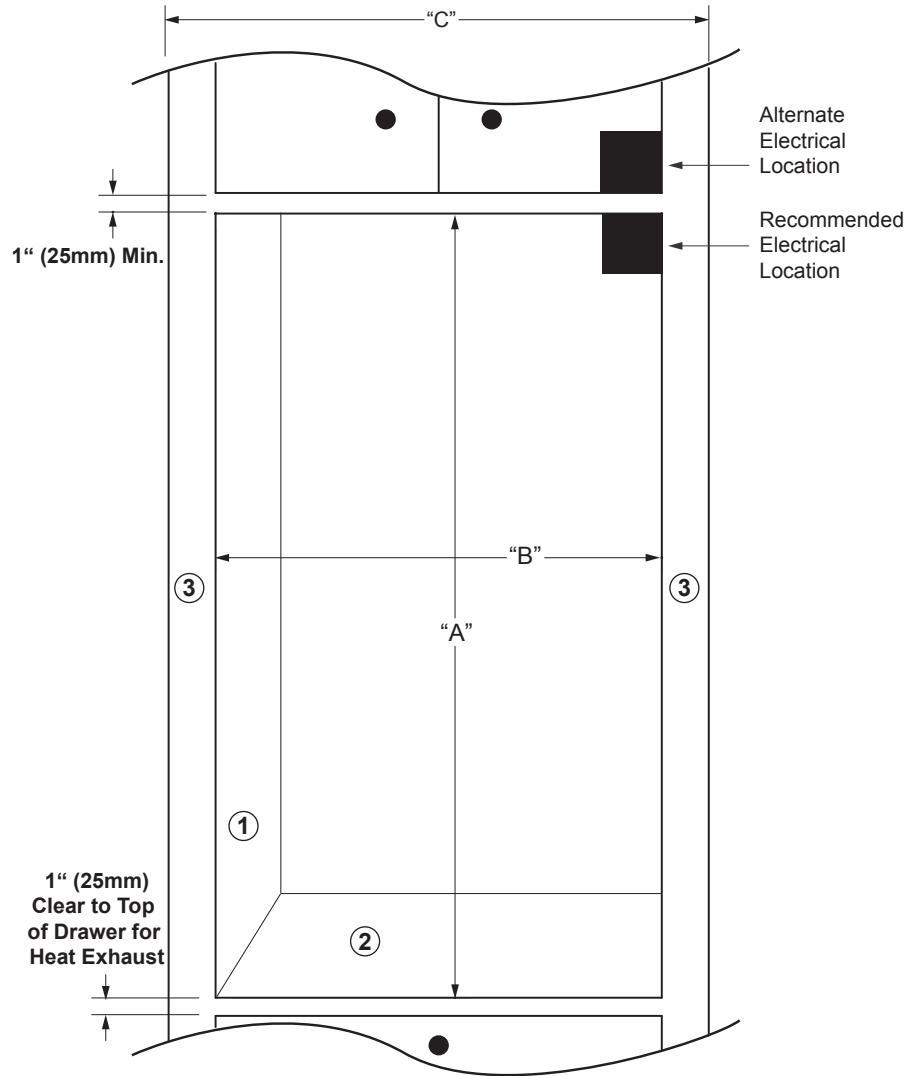


EO, PO, MOV & MOH



CUTOUT DIMENSIONS

Models	"A" Cutout Height	"B" Cutout Width	"C" Min. Cabinet Width	Oven Overlays
27"	50 9/16" (1284mm)	25 1/2" (648mm)	27" (686mm)	3/4" (19mm) Each Side; 15/16" (24mm) Top; 1/16" (1mm) Bottom
30"		28 1/2" (724mm)	30" (762mm)	

NOTES:

1. **24" (610mm) minimum interior cabinet depth.**
Back of cabinet may need to be removed.
2. **3/4" (19mm) support platform (flush with cutout).**
3. **1/8" (3mm) minimum clearance from appliance to adjacent cabinet doors/drawers.**

EO, PO, MOV & MOH

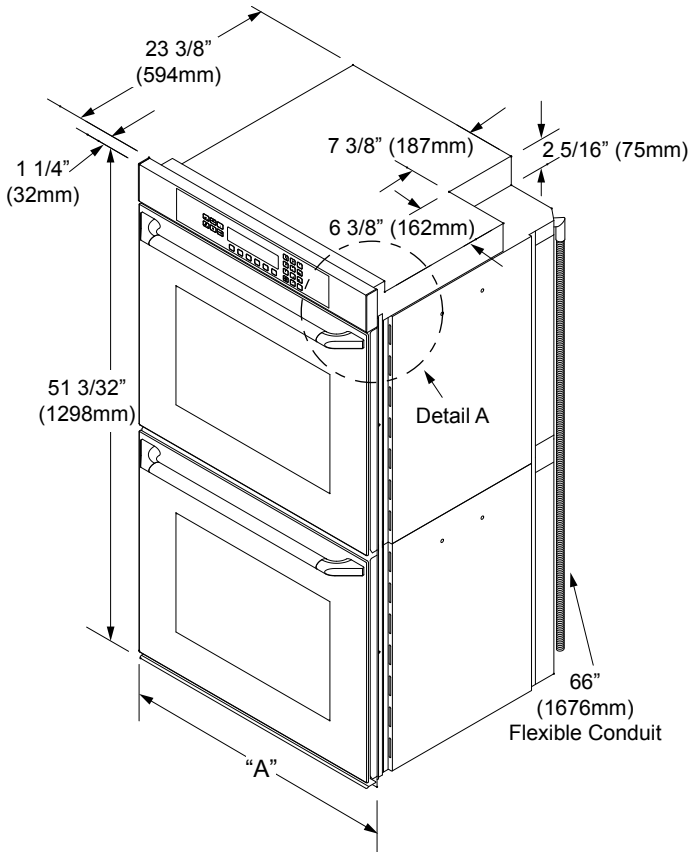
dacor
The life of the kitchen™

101905

27, 30" Wide, Double, Wall Ovens

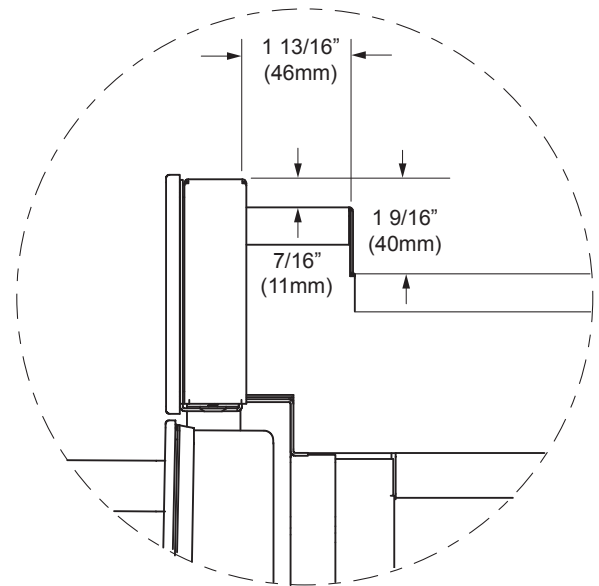
2/2

PLANNING GUIDE

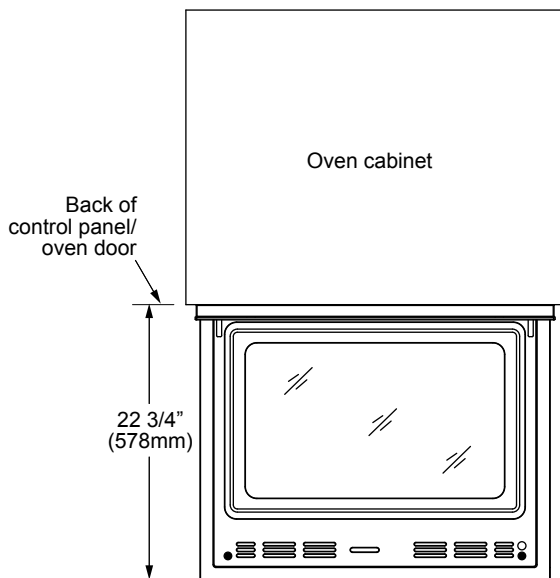


OVERALL DIMENSIONS

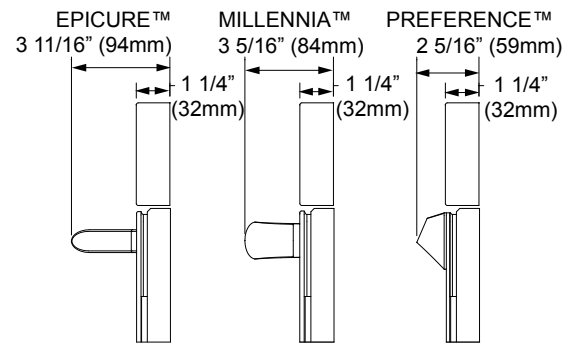
Models	"A" Oven Width
27"	27" (686mm)
30"	30" (672mm)



DETAIL A



TOP VIEW with DOOR OPEN



OVEN HANDLE DIMENSIONS

Dedicated Circuit Required	Total Connected Load	Approximate Shipping Weight
240VAC, 4-wire, 60Hz, 40A (Breaker)	8.6kW (37A)	415 lbs.