

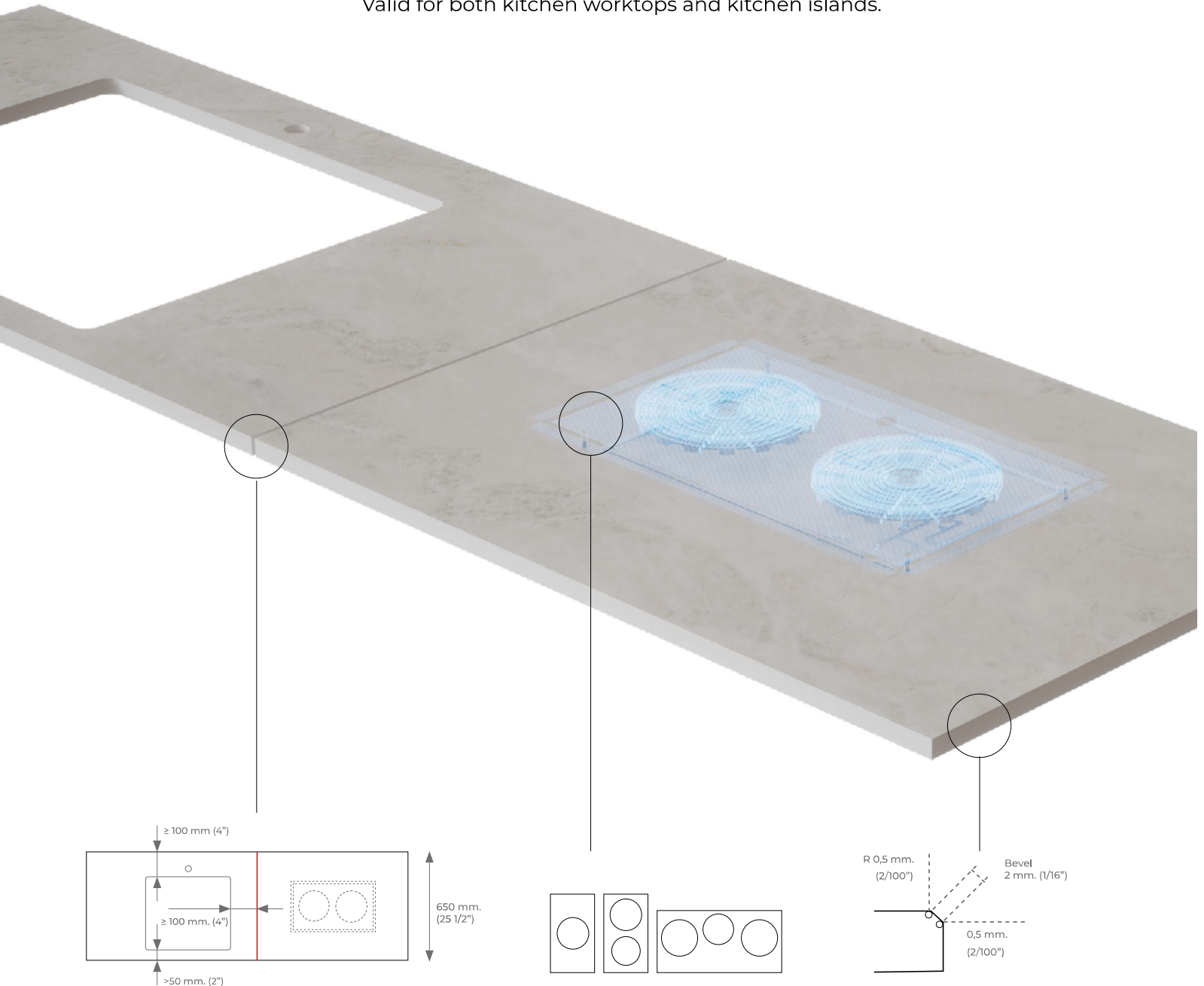
BASIC REQUIREMENTS FOR THE NEOLITH SURFACE

Neolith surface thickness: **12 mm / 1/2" or 20mm/ 3/4"**

All Neolith models can be used.

Reinforcement meshing is not permitted with this system.

Valid for both kitchen worktops and kitchen islands.



MANDATORY JOINT

No recesses are allowed in the worktop area that will include the induction units. Therefore, if necessary, an extension of the worktop will be made by placing a compulsory joint separating the two areas.

INSACOOK® INDUCTION UNITS

There are three validated models of the Invisacook® induction system for use with Neolith. More information: www.invisacook.com

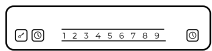
STANDARD EASED EDGE

These are the ones that go against the vertical walls, in the joints of the island. It is not necessary to polish the edge. It is sufficient to "kill" the edges, both top and bottom, with bevels ≥ 2 mm (1/16").

BASIC INDUCTION CONCEPTS OF THE INVISACOOK® SYSTEM

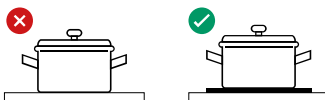
COOKWARE REQUIREMENTS

Valid for induction cooking systems.
Range valid for 16 cm / 6" and 22 cm / 9" cooktops.
Valid for indoor use only.



CONTROL PANEL

Each induction unit will include a control panel, depending on the type chosen. As no recesses are allowed in the worktop area where the induction unit is placed, the control panels will always be placed frontally (on the front of the cabinet) or horizontally (inside a cabinet drawer).



MANDATORY USE OF INVISAMAT

The use of this silicone lifting shield is mandatory during cooking. It shall be provided by the manufacturer of the induction system. Refer to the manufacturer's documentation for more details on this device.

INVISACOOK® INDUCTION UNIT

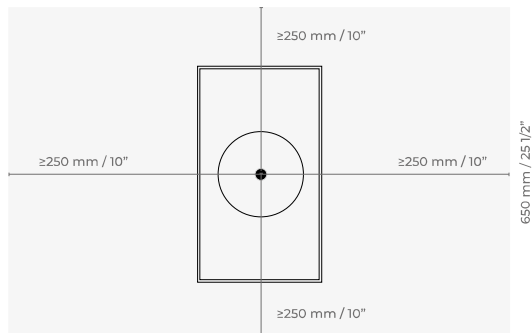
Depending on requirements, there are three validated models of the Invisacook® invisible induction system for use with Neolith®.

DESIGN, INSTALLATION AND USE REQUIREMENTS

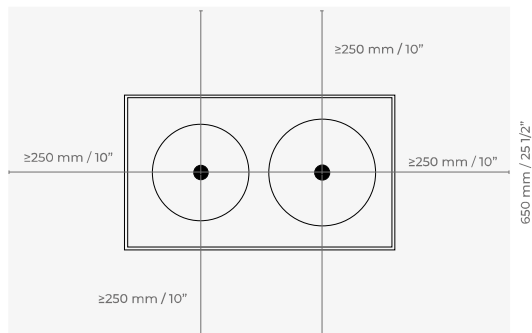
MINIMUM EDGE DISTANCES

The minimum distance shall be at least 250 mm / 10" from the centre line of each induction burner to any of the edges/joints (front, rear and sides). In this way, and depending on the type of induction unit chosen, we will have:

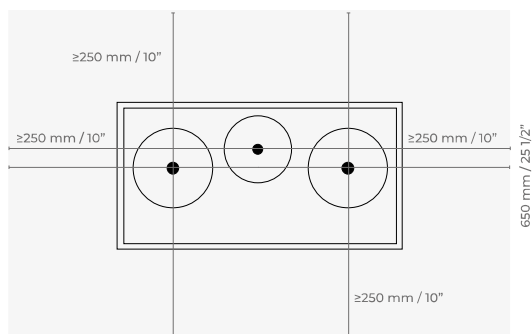
1 BURNER UNIT



2-BURNER UNIT

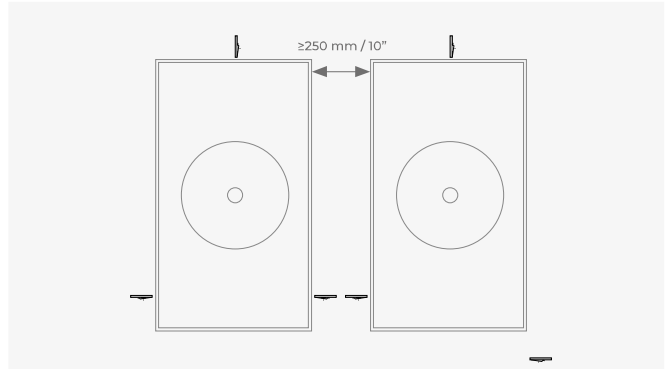


3-BURNER UNIT



PANORAMIC CONFIGURATION AND DISTANCES

The minimum distance between units, for any combination (1 + 1, 1 + 2, 2 + 2...), will be determined by the space occupied by the installation elements (clips) of the system, see the manufacturer's documentation for details.



INSTALLATION PROCESS

Install the units according to the manufacturer's instructions. The only valid installation procedure is by using Epoxy Adhesive + Sink Clips + Z-Clips.

Other types of installation (e.g. Drill + Insert + Screw) are not permitted under any circumstances.



INSTALLATION RESTRICTIONS OF INVISACOOK® SYSTEM ON NEOLITH KITCHEN WORKTOPS

The installation of this system must not interfere with the correct installation and seating of the worktop.

The system shall have adequate and sufficient ventilation, in accordance with the Invisacook® installation manual.

The system must be used correctly (only to be used with kitchenware and utensils with food or liquids, never with empty kitchenware).

The kitchen utensils must be of the right type and quality, in accordance with the Invisacook® instructions.

The use of unsuitable materials may cause the system to malfunction or damage the worktop.

Neolith is not responsible for the possible undesired effects that the use of integrated induction systems may have on our material, whether on the visual appearance, textures or on the resistance and integrity of the material.

Neolith does not guarantee the correct functioning of the system, being Invisacook® responsible for doing so.