

NX60T811SS

SAMSUNG

Samsung Front Control Slide-in Gas Range

6.0 cu. ft. Capacity



Signature Features

Ready2Fit™ Guarantee

- If your Samsung Front Control Slide-In Range doesn't fit your 30" Freestanding Range cutout, enjoy \$100* on us to cover any countertop modification costs.

*Visit samsungpromotions.com/SlideInReady2Fit for details.

Fingerprint Resistant Finish

- Fingerprint-resistant smudge-free finish for an everyday beautiful appearance.

Flexible Cooktop

- Get to high heat quickly for searing meat or boiling water, or turn down to a simmer to make your favorite sauces. Easily slide your pots and pans across the seamless, edge-to-edge grates covering a 5 burner cooktop.

Available Colors



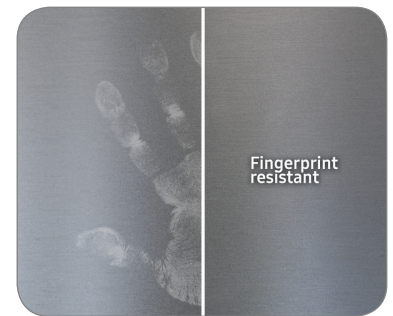
Fingerprint Resistant
Stainless Steel (shown)



Fingerprint Resistant
Black Stainless Steel



Ready2Fit™ Guarantee



Fingerprint Resistant Finish

Features

- Ready2Fit™ Guarantee
- Fingerprint Resistant Finish
- Flexible Cooktop
- Large Oven Capacity – 6.0 cu. ft.
- Glass Touch Controls
- Edge-to-Edge Grates
- Storage Drawer

- Flexible Cooktop:
 - Five Burner Cooktop
 - Right Front: 17K BTU
 - Left Front: 16K BTU
 - Right Rear: 5K BTU
 - Left Rear: 9.5K BTU
 - Center (Round): 9.5K BTU

Convenience

- Wi-Fi Connectivity
- Voice-Enabled
- Self Clean
- Child Safety Lock
- Delay Start
- Auto Oven Light
- Kitchen Timer
- Sabbath Mode



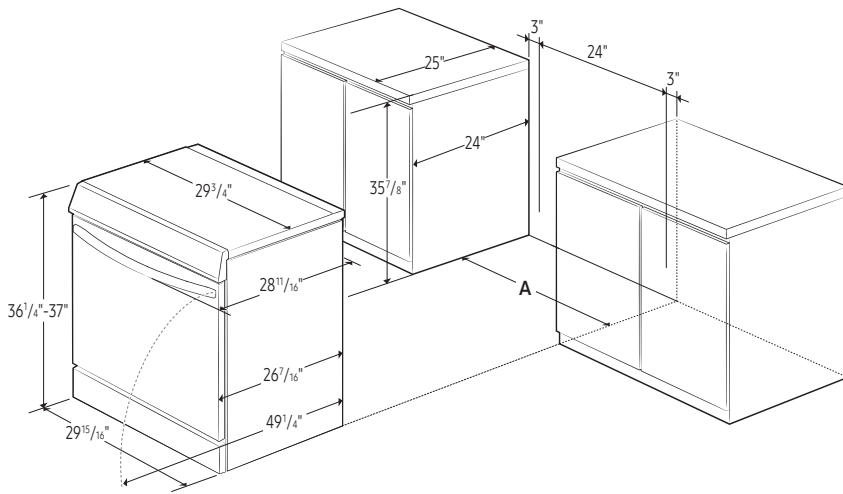
NX60T811SS

SAMSUNG

Samsung Front Control Slide-in Gas Range

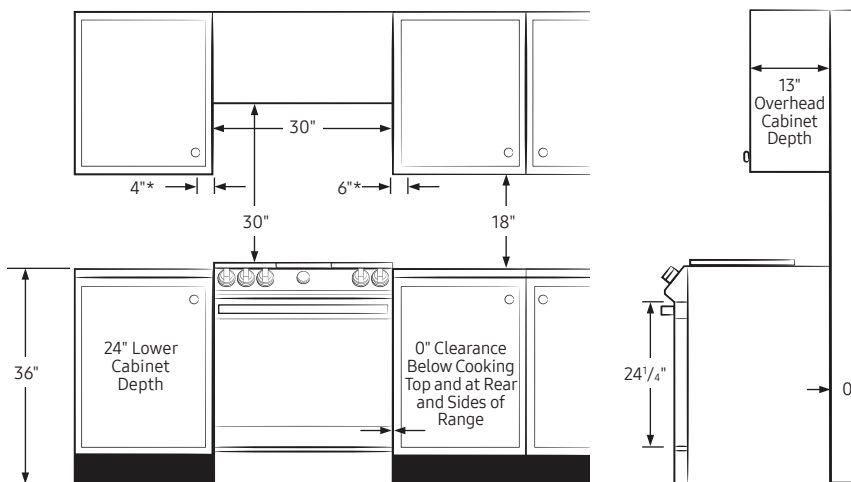
6.0 cu. ft. Capacity

Installing Your Range



A: Cabinet opening 30"

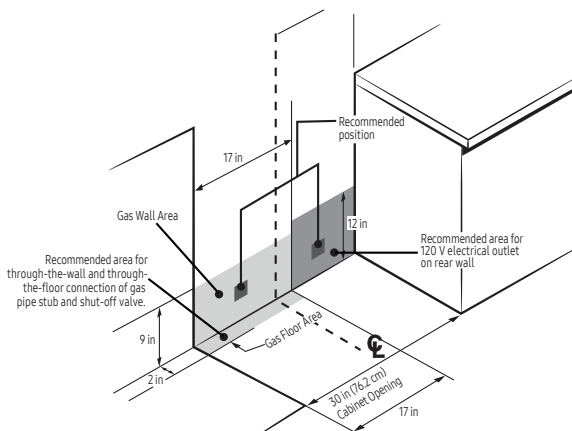
IMPORTANT: If your cabinets are over 37" high, you must install this range on a hard, heat-resistant support that raises the surface of the range so that it is about even with the countertop.



*Side clearance above cooking surface to any objects, i.e., wall.

IMPORTANT: Consult with Installation Manual for detailed instructions before installing. All ranges must be installed with the Anti-Tip device that is included.

Recommended Locations for Gas Piping and Electrical Outlets



Total Power (BTU)
57,000 BTU

Power Source
120V/60Hz/20A

Black Enamel 5-Burner Cooktop

- Right Front: 17K BTU
- Left Front: 16K BTU
- Right Rear: 5K BTU
- Left Rear: 9.5K BTU
- Center (Round): 9.5K BTU

Oven

- Capacity: 6 cu. ft.
- Bake
- Variable Broil: Low/High
- Bread Proof

Warranty

One (1) Year Parts and Labor

Product Dimensions & Weight (WxHxD)

Oven Interior Dimensions:

24¹³/₁₆" x 21⁵/₈" x 19⁵/₈"

Outside Dimensions:

29¹⁵/₁₆" x 36¹/₄-37" (Adjustable) x 28¹¹/₁₆"

Weight: 200 lbs

Shipping Dimensions & Weight (WxHxD)

Dimensions:

33¹/₁₆" x 41³/₄" x 30⁵/₁₆"

Weight: 225 lbs

Color	Model #	UPC Code
Fingerprint Resistant Stainless Steel	NX60T8111SS	887276409184
Fingerprint Resistant Black Stainless Steel	NX60T8111SG	887276409191



Actual color may vary. Design, specifications, and color availability are subject to change without notice. Non-metric weights and measurements are approximate.

©2020 Samsung Electronics America, Inc. 85 Challenger Road, Ridgefield Park, NJ 07660. Tel: 800-SAMSUNG. samsung.com. Samsung is a registered trademark of Samsung Electronics Co. Ltd.