

NX58R431SS

5.8 cu. ft. Freestanding Gas Range



Signature Features

Powerful, Flexible Cooktop

- Flexible cooktop cooks more, faster with 5 specialized burners and a 17K BTU Power Burner and one 5K Simmer Burner

5.8 cu. ft. Large Capacity

- Cook multiple dishes at once or accommodate larger items for the holidays

Wide View Window

- Check cooking progress without opening the door and losing heat

Available Colors



Stainless Steel (shown)



Fingerprint Resistant
Black Stainless Steel



Powerful, Flexible Cooktop



5.8 cu. ft. Large Capacity

Features

- Large Capacity – 5.8 cu. ft.
- 5 Gas Burners
 - Right Front: 17K BTU
 - Left Front: 12K BTU
 - Right Rear: 5K BTU
 - Left Rear: 9.5K BTU
 - Center: 9.5K BTU (Oval)
- 5K Simmer Burner
- Wide View Window
- Cast Iron 3-Piece Grates
- Storage Drawer
- Flat Handle

Convenience

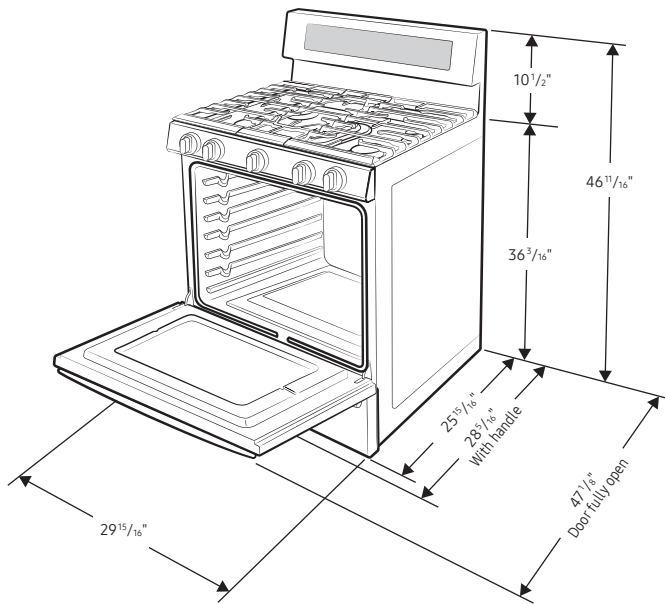
- Self Clean
- 2 Chrome Racks
- Auto Oven Light
- Sabbath Mode
- Kitchen Timer
- Delay Start
- Auto Shut-Off Option
- Child Safety Lock

NX58R4311SS

SAMSUNG

5.8 cu. ft. Freestanding Gas Range

Product Dimensions



Total Power

53K BTU

Power Source

120V/60Hz/20A

Black Enamel 5-Burner Cooktop

- Right Front: 17K BTU
- Left Front: 12K BTU
- Right Rear: 5K BTU
- Left Rear: 9.5K BTU
- Center (Oval): 9.5K BTU

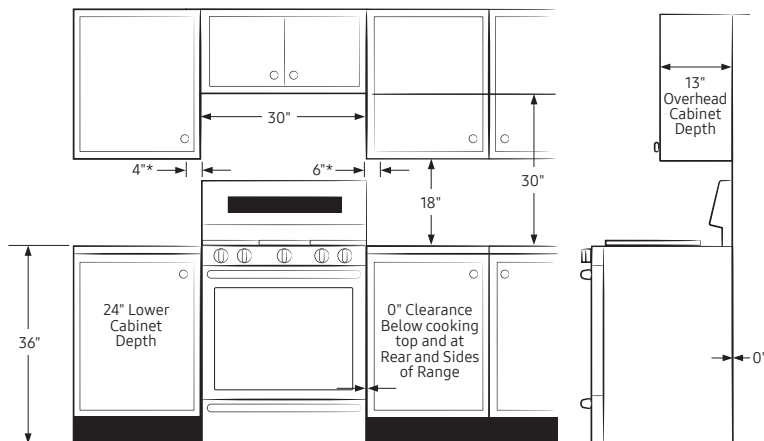
Oven: 5.8 cu. ft. Capacity

- Bake: 175°F–550°F
- Bake Burner: 18K BTU
- Broil Burner: 13.5K BTU
- Variable Broil: Low/Hi (375°F–480°F)
- Sabbath Mode

Storage Drawer

Capacity: 0.7 cu. ft.

Installing Your Range



* Side clearance above cooking surface to any objects, i.e., wall

IMPORTANT: Consult with Installation Manual for detailed instructions before installing.

All ranges must be installed with the Anti-Tip device that is included.

Warranty

One (1) Year Parts and Labor

Product Dimensions & Weight (WxHxD)

Actual Oven Dimensions: 25" x 19" x 21¹/₈"

Outside Net Dimensions: 29¹⁵/₁₆" x 46¹¹/₁₆" x 28⁵/₁₆"

Weight: 183 lbs

Shipping Dimensions & Weight (WxHxD)

Dimensions: 33¹/₁₆" x 50⁵/₈" x 30⁵/₁₆"

Weight: 210 lbs

Color

Stainless Steel

Model

NX58R4311SS

UPC Code

887276307893

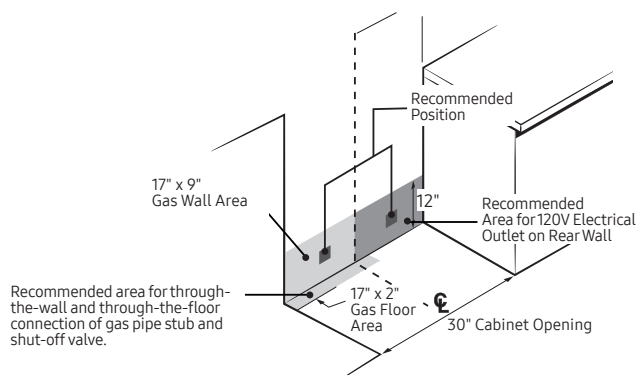
Fingerprint Resistant

Black Stainless Steel

NX58R4311SG

887276311753

Recommended Locations for Gas Piping and Electrical Outlets



Actual color may vary. Design, specifications, and color availability are subject to change without notice. Non-metric weights and measurements are approximate.

©2019 Samsung Electronics America, Inc., 85 Challenger Road, Ridgefield Park, NJ 07660. Tel: 800-SAMSUNG. samsung.com. Samsung is a registered trademark of Samsung Electronics Co., Ltd.