

NX58M6650WS

SAMSUNG

Samsung True Convection Freestanding Gas Range

5.8 cu. ft. Capacity



Signature Features

Steam Reheat

- Maintains your food's original flavor, texture and moisture.

Blue LED Illuminated Knobs

- Visually lets you know if your cooktop is on from a distance.

20K BTU Dual-Power Burner

- Two independent heating elements with power ranging from high heat to a true simmer.

Available Colors



Stainless Steel (shown)



Black Stainless Steel



Steam Reheat



Blue LED Illuminated Knobs

Features

- Steam Reheat
- Blue LED Illuminated Knobs
- Powerful, Flexible Cooktop – 5 Gas Burners
 - Right Front: 20K BTU Dual Ring
 - Left Front: 15K BTU
 - Right Rear: 5K BTU
 - Left Rear: 9.5K BTU
 - Center: 10K BTU (Oval)
- True Convection Oven
- Large Oven Capacity – 5.8 cu. ft.
- Touch Controls
- Wi-Fi Connectivity
- Griddle and Wok Grate
- Wide View Window
- Cast Iron 3-Piece Grates
- Warming Drawer

Convenience

- Self Clean
- 3 Easy Cook Presets
- 3 Chrome Oven Racks, including 1 Split Rack
- Auto Oven Light
- Proofing
- Sabbath Mode
- Kitchen Timer
- Delay Start
- Auto Shut-Off Option
- Child Safety Lock

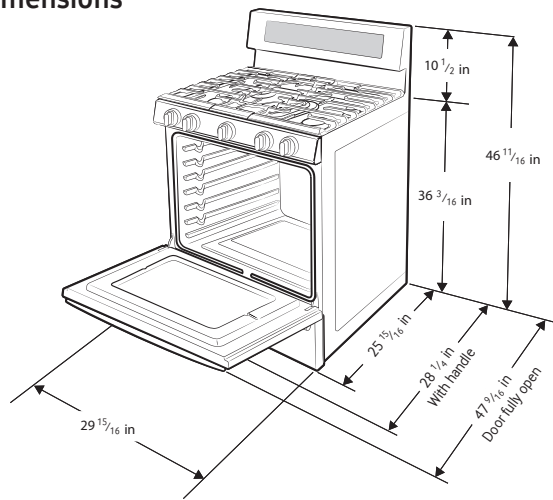
NX58M6650WS

SAMSUNG

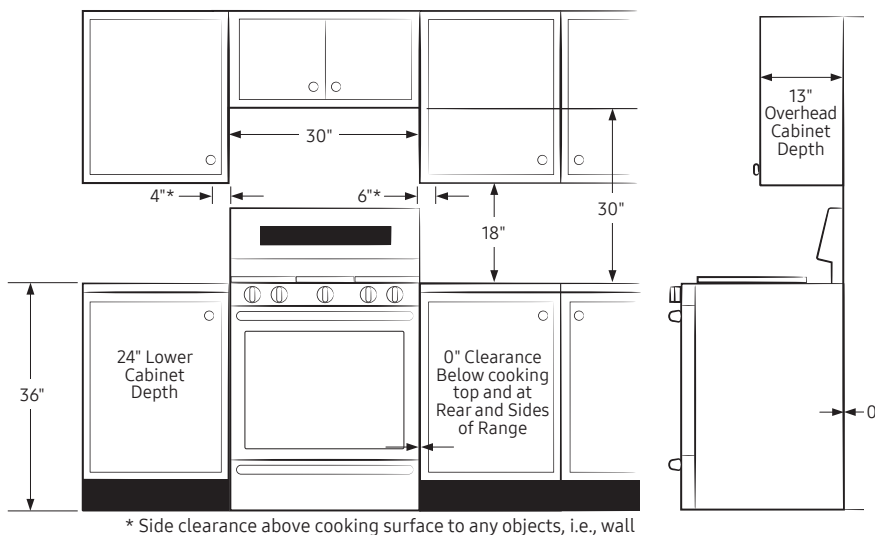
Samsung True Convection Freestanding Gas Range

5.8 cu. ft. Capacity

Product Dimensions



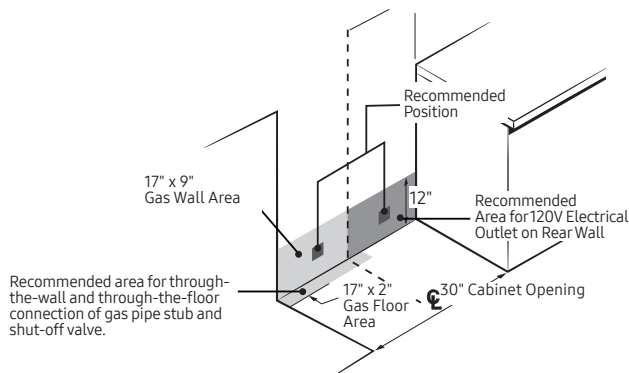
Installing Your Range



* Side clearance above cooking surface to any objects, i.e., wall

IMPORTANT: Consult with Installation Manual for detailed instructions before installing. All ranges must be installed with the Anti-Tip device that is included.

Recommended Locations for Gas Piping and Electrical Outlets



Total Power

59.5K BTU

Power Source

120V/60Hz/20A

Black Enamel 5-Burner Cooktop

- Right Front: 20K BTU
- Left Front: 15K BTU
- Right Rear: 5K BTU
- Left Rear: 9.5K BTU
- Center (Oval): 10K BTU

Oven: 5.8 cu. ft. Capacity

- Bake: 175°F–550°F
- Convection Bake: 175°F–550°F
- Bake Burner: 18K BTU
- Broil Burner: 13.5K BTU
- Variable Broil: Low/Hi (375°F–480°F)
- Convection Roast: 175°F–550°F
- Proofing
- Sabbath Mode

Warming Drawer

Capacity: 0.7 cu. ft.

Warranty

One (1) Year All Parts and Labor
Five (5) Years Gas Cooktop

Product Dimensions & Weight (WxHxD)

Actual Oven Dimensions:
25" x 19" x 21¹/₈"

Outside Net Dimensions:
29¹⁵/₁₆" x 46⁵/₈" x 25¹⁵/₁₆"

Weight: 218 lbs.

Shipping Dimensions & Weight (WxHxD)

Dimensions:
33¹/₁₆" x 50⁵/₈" x 30⁵/₁₆"

Weight: 247 lbs.

Color

Stainless Steel

Model

NX58M6650WS

UPC Code

887276226958

Black Stainless Steel

NX58M6650WG

887276239460

Actual color may vary. Design, specifications, and color availability are subject to change without notice. Non-metric weights and measurements are approximate.

©2017 Samsung Electronics America, Inc. 85 Challenger Road, Ridgefield Park, NJ 07660. Tel: 800-SAMSUNG. samsung.com. Samsung is a registered trademark of Samsung Electronics Co., Ltd.