

NX58J7750SS

5.8 cu. ft. Freestanding Flex Duo™ Gas Range

Features

- Flex Duo™ Technology – Large 5.8 cu. ft. Convection Oven Splits into Two Cavities with a Removable Smart Divider™
- Dual Convection Oven
 - Top: Fan Convection
 - Bottom: True Convection
- Large Oven Capacity – 5.8 cu. ft.
- 5 Gas Burners
 - Right Front: Dual 18K BTU
 - Left Front: 15K BTU
 - Right Rear: 5K BTU
 - Left Rear: 9.5K BTU
 - Center: 9.5K BTU (Oval)
- Clean View Door
- Griddle and Wok Grate Included
- Gliding Rack for Easy Access to Food in the Oven

Convenience

- Auto Oven Light
- Kitchen Timer
- Delay Start
- Auto Shut-Off Option
- Child Safety Lock
- Self Clean
- Three Preset Easy Cook Options
- Three Chrome Oven Racks, Including 1 Gliding Rack



Ranked **“Highest in Customer Satisfaction with Ranges, Cooktops and Ovens.”****

—J.D. Power



Flex Duo™ Oven



True Convection

Available Color:



Stainless Steel

Signature Features

FLEX DUO™ OVEN

- The spacious 5.8 cu. ft. oven splits into two ovens with the Smart Divider™ to cook at two different temperatures at the same time.
- Two temperature controls.
- No noticeable transfer of aroma.

5.8 CU. FT. LARGE CAPACITY

- Cook a big roast, multiple casserole dishes or several racks of cookies at once.
- Three oven racks let you prepare enough food for large gatherings.
- Split rack on top for taller dishes.

FIVE-BURNER COOKTOP

- Cook with different-sized pans simultaneously.
- Smooth ceramic surface allows for convenient cleaning.
- Bridge capability creates an extra-large cooking surface for oversized pots and pans.

CLEAN VIEW DOOR

- Get a corner-to-corner, panoramic view of everything that's cooking.

SAMSUNG

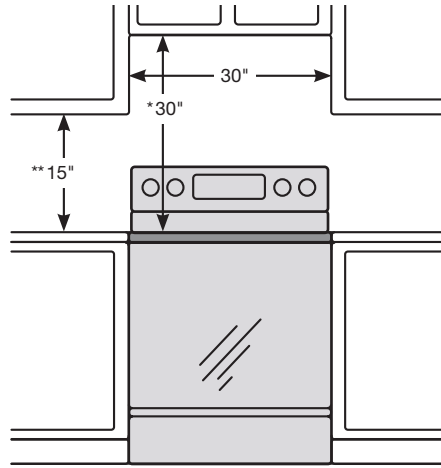
NX58J7750SS

5.8 cu. ft. Freestanding Flex Duo™ Gas Range

Installing Your Range

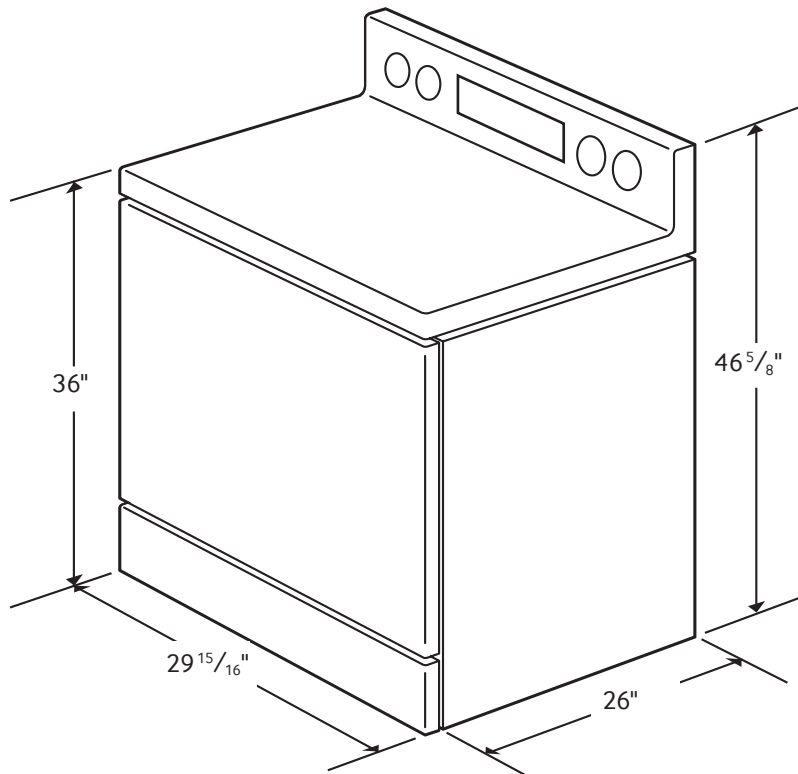
*30" minimum clearance between the top of the cooking surface and the bottom of an unprotected wood or metal cabinet; or 24" minimum when the bottom of the wood or metal cabinet is protected by not less than 1/4" flame-retardant millboard covered with not less than no. 28 MSG sheet steel, 0.015" stainless steel, 0.024" aluminum or 0.020" copper.

**15" minimum between the countertop and the adjacent cabinet bottom.



IMPORTANT: To eliminate the risk of burns or fire caused by reaching over heated surface units, cabinet storage space located above the surface units should be avoided. If cabinet storage is to be provided, the risk can be reduced by installing a range hood that projects horizontally a minimum of 5" beyond the bottom of the cabinets.

Dimensions



Total Power (BTU)

57,000 BTU

Power Source

120 V/60 Hz

Black Enamel Five-Burner Cooktop

- Right Front: 18,000 BTU – Dual
- Left Front: 15,000 BTU
- Right Rear: 5,000 BTU
- Left Rear: 9,500 BTU
- Center Rear: 9,500 BTU – Oval

Oven

- Bake: 150°F–550°F
- Convection Bake: 175°F–550°F
- Bake Burner: 18,000 BTU
- Broil Burner: 13,500 BTU
- Variable Broil: Low/High (415°F–520°F)
- Convection Roast: 175°F–550°F
- Proofing
- Sabbath Mode

Warranty

One (1) Year All Parts and Labor
Five (5) Years Gas Cooktop

Product Dimensions & Weight (WxHxD)

Actual Oven Dimensions:

25" x 19" x 21 1/8"

Outside Net Dimensions:

29 15/16" x 46 5/8" x 26"

Weight: 220.5 lbs.

Shipping Dimensions & Weight (WxHxD)

Dimensions:

33 1/16" x 50 5/8" x 30 5/16"

Weight: 242.5 lbs.

Color

Stainless Steel

Model

NX58J7750SS

UPC Code

887276093543

SAMSUNG

*Samsung received the highest numerical score for ranges, cooktops and ovens in the proprietary J.D. Power 2014 Kitchen Appliance Study™. Study based on 15,380 total responses measuring 17 ranges, cooktops and oven brands and measures opinions of consumers about their new appliance purchased in the past 24 months. Proprietary study results are based on experiences and perceptions of consumers surveyed in January-March 2014. Your experiences may vary. Visit jdpower.com.

Actual color may vary. Design, specifications, and color availability are subject to change without notice. Non-metric weights and measurements are approximate.

©2015 Samsung Electronics America, Inc. 85 Challenger Road, Ridgefield Park, NJ 07660. Tel: 800-SAMSUNG. samsung.com. Samsung is a registered trademark of Samsung Electronics Co. Ltd.