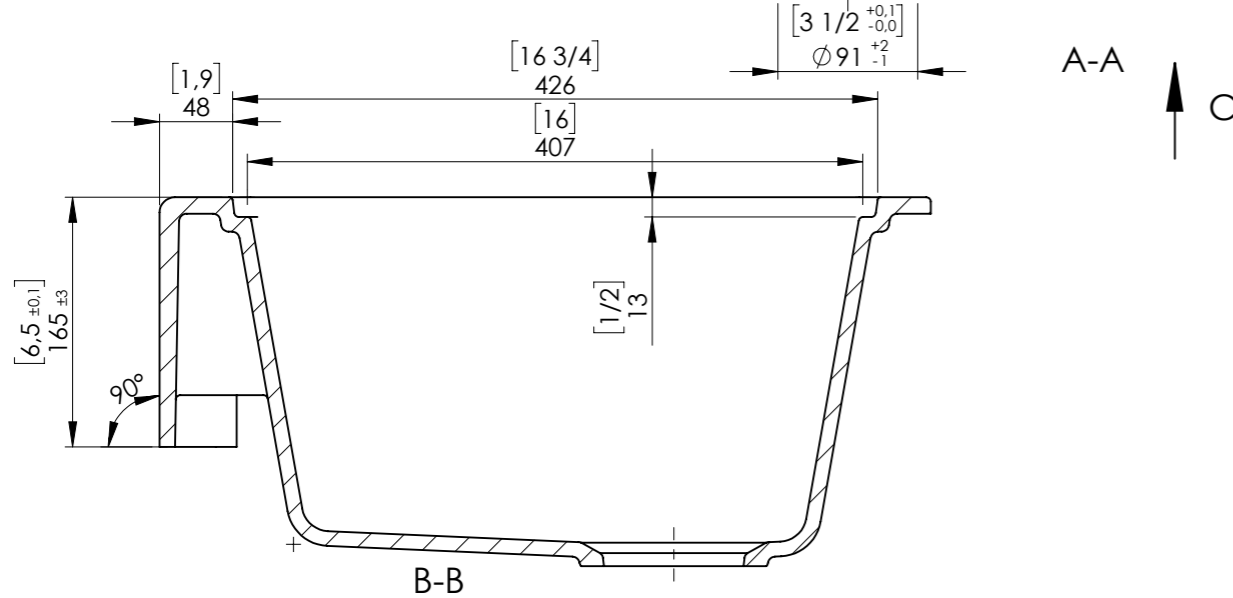
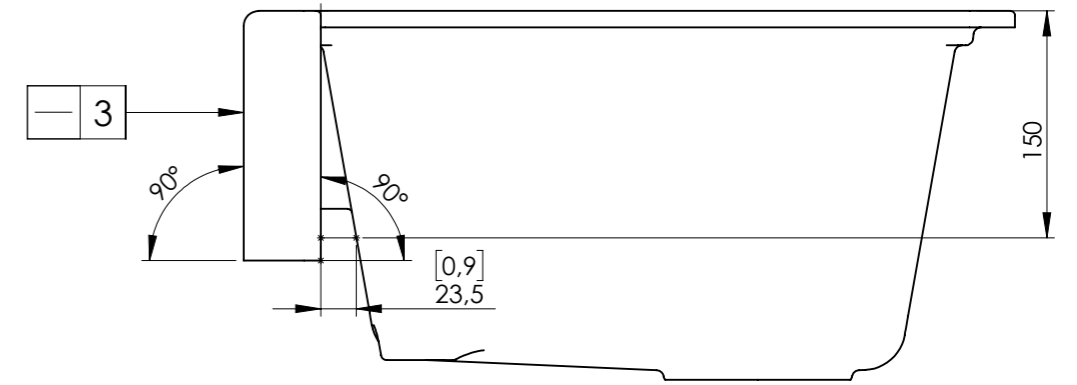
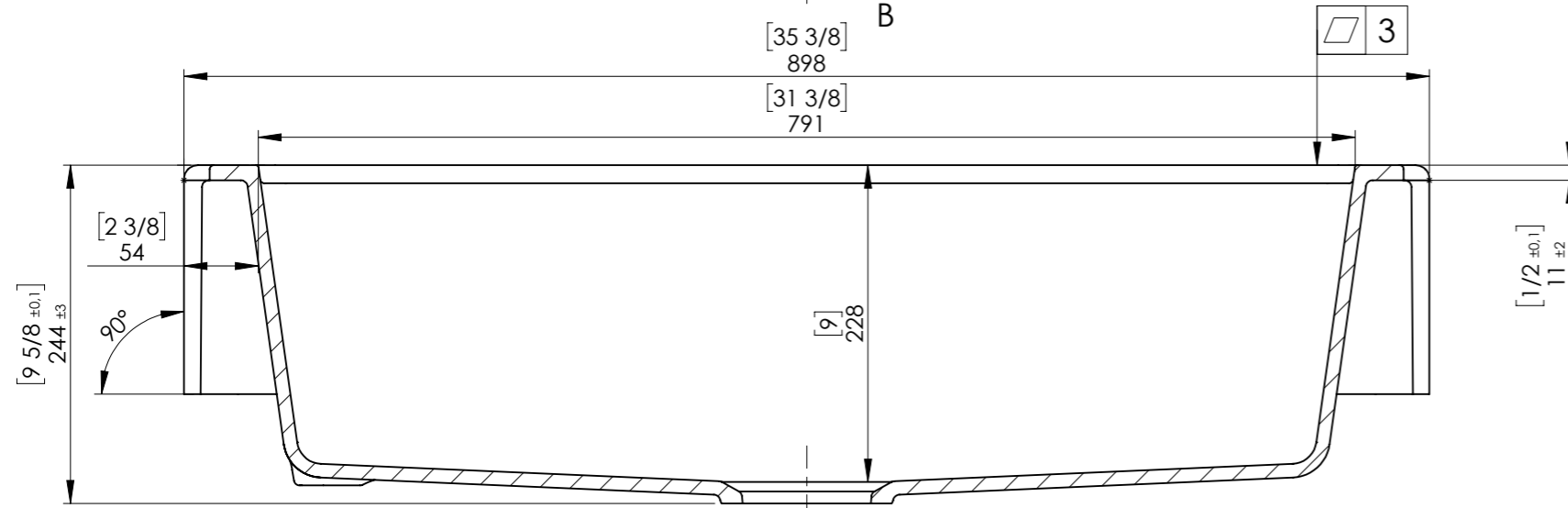
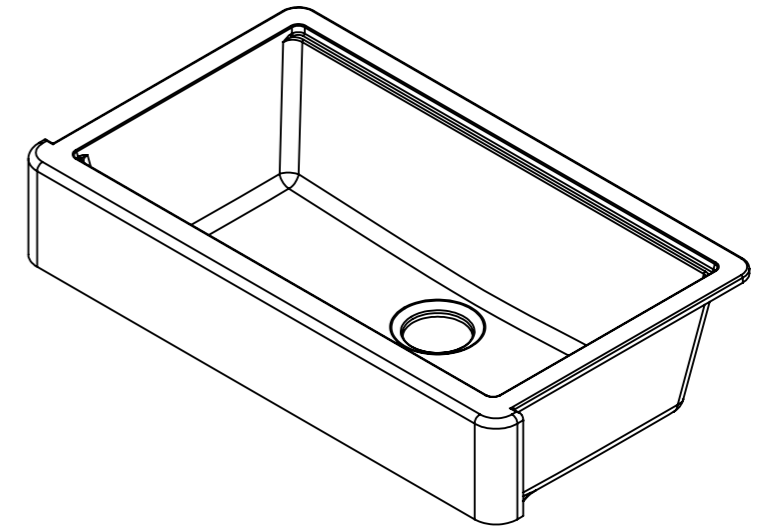


VIEW C
SCALE 1 : 10



Attention:
1. Shell thickness 10 mm.

Material:	Composite
Weight:	50 lb
Name:	New Titan Short Apron 36" Single
Item Code:	NTS36S_
Colors:	Black Matte , Soft-White