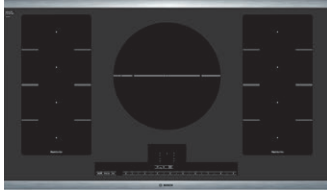


36" Induction Cooktop

Benchmark™ Series - Black with Stainless Steel Frame NITP666SUC



NITP666SUC
Black with Stainless Steel Frame

Also available in:
Frameless NITP666UC

Introducing the newly designed and engineered induction cooktop, featuring the flexibility of FlexInduction® cooking zones.

Features & Benefits

FlexInduction® can combine two cooking zones into one larger zone.

A 12" dual heating element offers 4500W of power for quick results.

Induction cooktops offer faster cooking results than gas or electric.

SpeedBoost boils water 2x as fast as conventional electric cooktops.



Element Performance

Power of Full Zone Left & Right heating element 3,300 W

Power of Full Zone Left & Right heating element (in boost) 3,600 W

Power of Front Left heating element 2,000 W

Power of Front Left heating element (in boost) 2,500 W

Power of Back Left heating element 2,000 W

Power of Back Left heating element (in boost) 2,500 W

Power of Center heating element 3,300 / 2,200 W

Power of Center heating element (in boost) 4,500 / 3,400 W

Power of Back Right heating element 2,000 W

Power of Back Right heating element (in boost) 2,500 W

Power of Front Right heating element 2,000 W

Power of Front Right heating element (in boost) 2,500 W

Burners with booster All

Element Size

Dimension of Front Left heating element 8", 7"

Dimension of Back Left heating element 8", 7"

Dimension of Center heating element 12", 9"

Dimension of Back Right heating element 8", 7"

Dimension of Front Right heating element 8", 7"

Technical Details

Watts 10,800 W

Circuit breaker 50 A

Volts 208-240 V

Frequency 60 Hz

Plug type No plug

Power cord length 37"

Energy source Electric

Dimensions & Weight

Overall appliance dimensions (HxWxD) 5/16" +4 1/8" x 37" x 21 1/4"

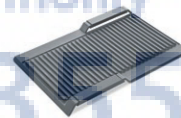
Required cutout size (HxWxD) 4 1/8" x 34 7/8" x 19 7/8"

Minimum distance from counter front 2 1/4"

Minimum distance from rear wall 2"

Net weight 50 lbs

Accessories—Optional



HEZ390522
Grill



HEZ390512
Teppanyaki



HEZ390220
9" AutoChef® pan



HEZ390230
10" AutoChef® pan



For help and assistance with Bosch accessories please visit: www.bosch-eshop.com/eshop/bosch/us or call 1-800-944-2904 Mon-Fri 5am to 6pm PST Sat 6am to 3pm PST

Notes: All height, width and depth dimensions are shown in inches. Please refer to installation instructions prior to making cutout. BSH reserves the absolute and unrestricted right to change product materials and specifications, at any time, without notice. Consult the product's installation instructions for final dimensional data and other details. Applicable product warranty can be found in accompanying product literature or you may contact your account manager for further details.

Warranties: Bosch warrants that the Product is free from defects in materials and workmanship for a period of three hundred and sixty-five (365) days from the date of purchase. The foregoing timeline begins to run upon the date of purchase, and shall not be stalled, tolled, extended, or suspended, for any reason whatsoever. This Product is also warranted to be free from cosmetic defects in material and workmanship (such as scratches of stainless steel, paint/porcelain blemishes, chip, dents, or other damage to the finish of the Product, for a period of thirty (30) days from the date of purchase or closing date for new construction. This cosmetic warranty excludes slight color variations due to inherent differences in painted and porcelain parts, as well as differences caused by kitchen lighting, product location, or other similar factors. This cosmetic warranty specifically excludes any display, floor, "As Is", or "B" stock appliances.

For more information on our entire line of products, go to www.bosch-home.com/us or call 1-800-944-2904

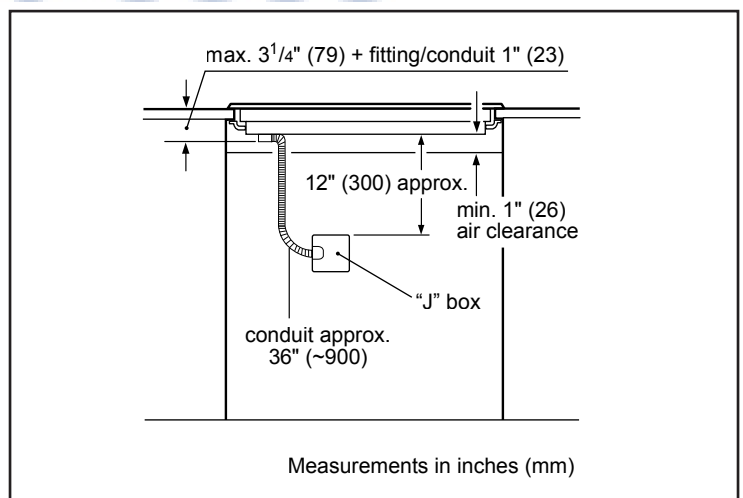
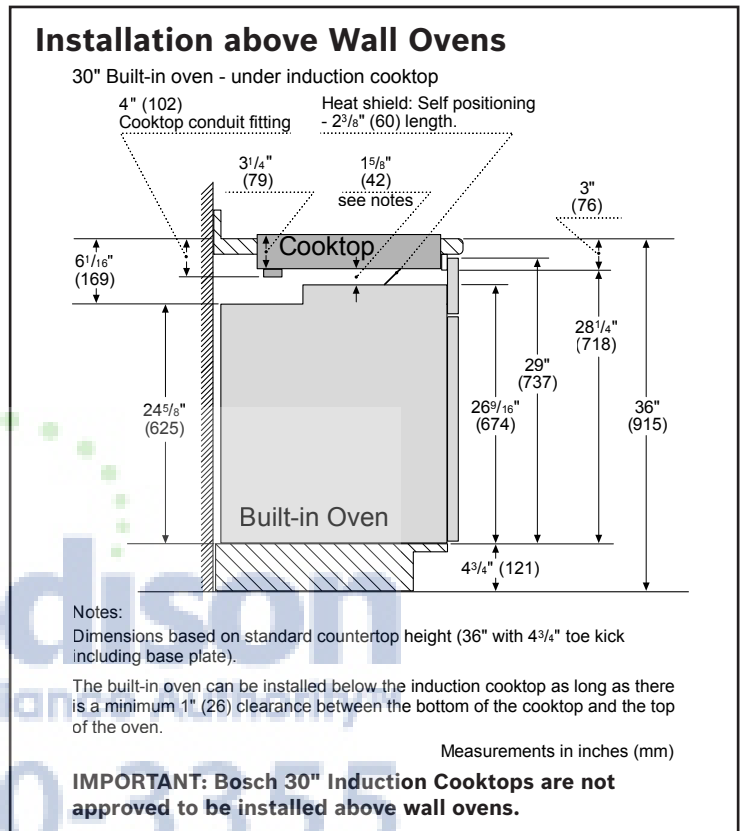
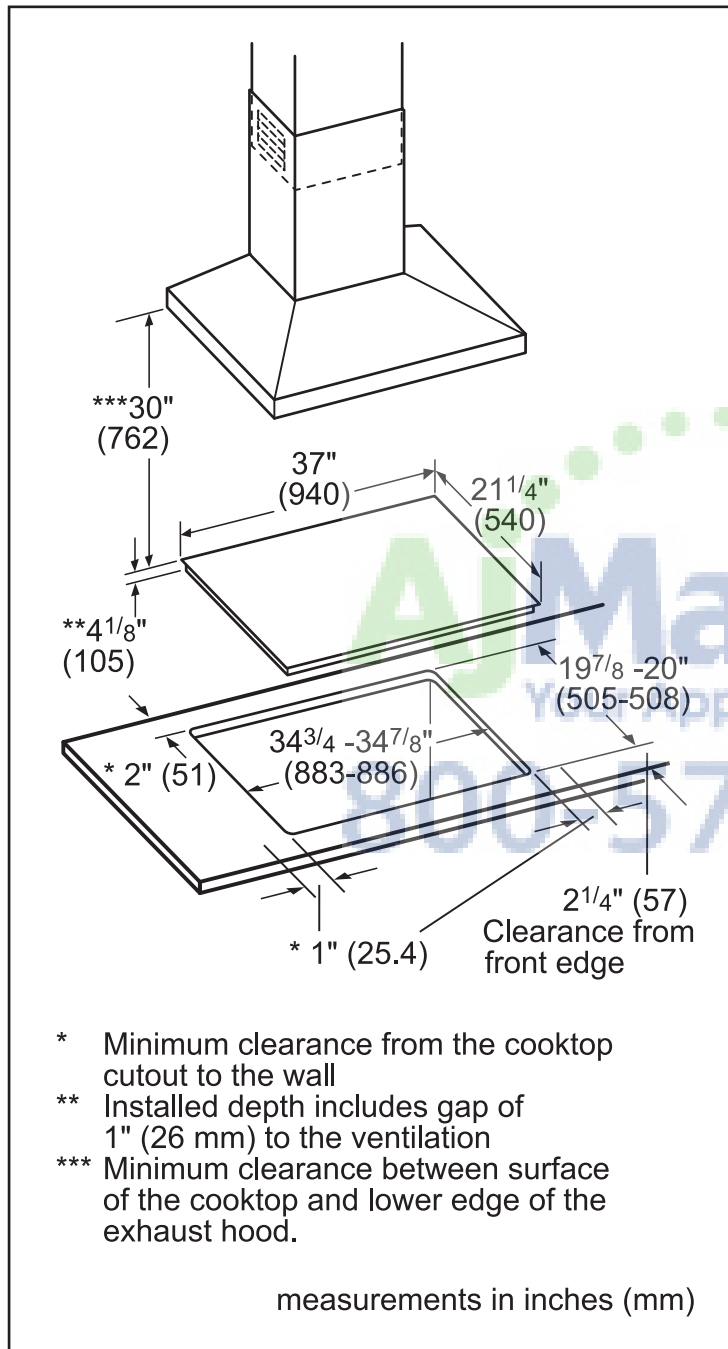
© BSH Home Appliances Corporation. All rights reserved. Bosch is a registered trademark of Robert Bosch GmbH.

36" Induction Cooktop

Benchmark™ Series - Black with Stainless Steel Frame NITP666SUC



Installation Details



For help and assistance with Bosch accessories please visit: www.bosch-eshop.com/eshop/bosch/us or call 1-800-944-2904 Mon-Fri 5am to 6pm PST Sat 6am to 3pm PST

Notes: All height, width and depth dimensions are shown in inches. Please refer to installation instructions prior to making cutout. BSH reserves the absolute and unrestricted right to change product materials and specifications, at any time, without notice. Consult the product's installation instructions for final dimensional data and other details. Applicable product warranty can be found in accompanying product literature or you may contact your account manager for further details.

Warranties: Bosch warrants that the Product is free from defects in materials and workmanship for a period of three hundred and sixty-five (365) days from the date of purchase. The foregoing timeline begins to run upon the date of purchase, and shall not be stalled, tolled, extended, or suspended, for any reason whatsoever. This Product is also warranted to be free from cosmetic defects in material and workmanship (such as scratches of stainless steel, paint/porcelain blemishes, chip, dents, or other damage to the finish of the Product, for a period of thirty (30) days from the date of purchase or closing date for new construction. This cosmetic warranty excludes slight color variations due to inherent differences in painted and porcelain parts, as well as differences caused by kitchen lighting, product location, or other similar factors. This cosmetic warranty specifically excludes any display, floor, "As Is", or "B" stock appliances.

For more information on our entire line of products, go to www.bosch-home.com/us or call 1-800-944-2904

© BSH Home Appliances Corporation. All rights reserved. Bosch is a registered trademark of Robert Bosch GmbH.