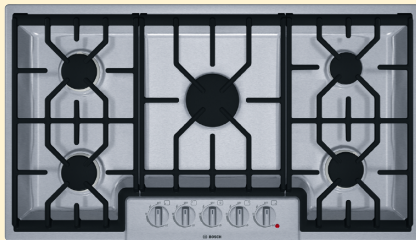


800 Series 36" Gas Cooktop NGM8654UC

Gas Cooktop Spec Sheet



NGM8654UC
Stainless Steel

Features & Benefits

- In Addition to Allowing Fast Boiling or Quick Searing, the **POWERSIM®** Cap Diffuses the Flame at Low Settings for Optimal Simmering of Delicate Sauces Without Scorching
- **OPTISIM™** Burner Provides Excellent Simmering as Low as a 400 BTU Effect. Perfect for the Most Delicate Liquids and Sauces
- Deep Recessed Maintop Captures Boil Overs and Spills for Easy Clean-up
- Automatic Re-ignition
- Centralized Front Controls for Easy Use
- Low-profile Continuous Grates Provide a Versatile Platform to Work on, Optimizing use of Various Burner Sizes
- Newly Designed Maintop Conforms to the Bosch Family Design
- 17,000 BTU Center Burner

Product Name	800 Series 5 Burner Gas Cooktop
Model Number	NGM8654UC
Color	Stainless Steel

Overall Dimensions	
Width	37"
Depth	21 1/4"
Height	3 13/16"

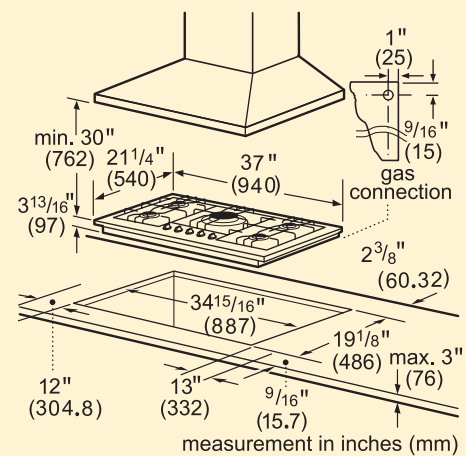
Cut Out Dimensions	
Width	34 15/16"
Depth	19 1/8"
Height	3 13/16"

Burner BTU (min/max)	
BTU - Left Front Burner	12,000
BTU - Left Rear Burner	12,000
BTU - Center Burner	17,000
BTU - Right Rear Burner	5,500
BTU - Right Front Burner	12,000
Total BTUs Natural Gas	58,500
Total BTUs LP	47,800

Miscellaneous	
Power Required	120 Volts, 3 Wire 60Hz Power Cord
Amps	15
Install. Above Oven	X
Sealed Burners	X
Automatic Re-ignition	X
POWERSIM Burner	Center
OPTISIM Burner	Left Front, Right Rear
Controls	Front Controls with Red Indicator Light
Knob Material	Blade Style Metal Knobs
Knob Color	Nickel with Nickel Bezel

Accessories	
NLP Conversion Kit	NEZ1054

Dimensions:



Gas Cooktop Warranty: 1 year parts and labor. Certain limitations apply. See Manufacturer's Limited Warranty for details.

For more information on our entire line of products, go to boschappliances.com or call 1-800-944-2904.

Copyright ©2008 BSH Home Appliances Corporation. All rights reserved. Bosch is a registered trademark of Robert Bosch GmbH.