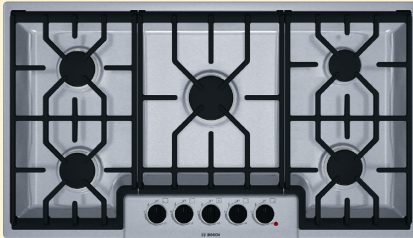


500 Series 36" Gas Cooktop NGM5654UC

Gas Cooktop Spec Sheet



NGM5654UC
Stainless Steel

Features & Benefits

- **OPTISIM™** Burner Provides Excellent Simmering as Low as a 400 BTU Effect. Perfect for the Most Delicate Liquids and Sauces
- Deep Recessed Maintop Captures Boil Overs and Spills for Easy Clean-up
- Automatic Re-ignition
- Centralized Front Controls for Easy Use
- Low-profile Continuous Grates Provide a Versatile Platform to Work on, Optimizing use of Various Burner Sizes
- Newly Designed Maintop Conforms to the Bosch Family Design

Product Name	500 Series 5 Burner Gas Cooktop
Model Number	NGM5654UC
Color	Stainless Steel

Overall Dimensions	
Width	37"
Depth	21 1/4"
Height	3 13/16"

Cut Out Dimensions	
Width	34 15/16"
Depth	19 1/8"
Height	3 13/16"

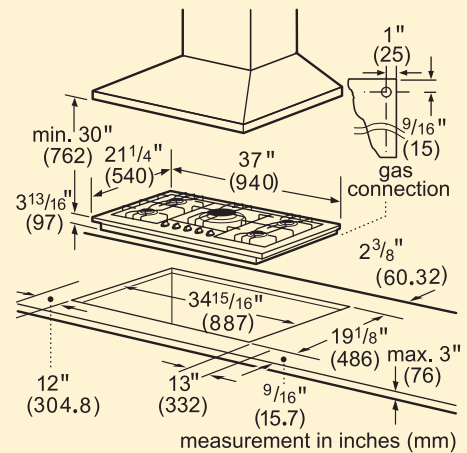
Burner BTU (min/max)	
BTU - Left Front Burner	12,000
BTU - Left Rear Burner	12,000
BTU - Center Burner	16,000
BTU - Right Rear Burner	5,500
BTU - Right Front Burner	12,000
Total BTUs Natural Gas	57,500
Total BTUs LP	47,800

Miscellaneous	
Power Required	120 Volts, 3 Wire 60Hz Power Cord
Amps	15
Install. Above Oven	X
Sealed Burners	X
Automatic Re-ignition	X

POWER-SIM® Burner	
OPTISIM Burner	Left Front, Right Rear
Controls	Front Controls with Red Indicator Light
Knob Material	Plastic Knobs
Knob Color	Black with Nickel Bezel

Accessories	
NLP Conversion Kit	NEZ1054

Dimensions:



Gas Cooktop Warranty: 1 year parts and labor. Certain limitations apply. See Manufacturer's Limited Warranty for details.

For more information on our entire line of products, go to boschappliances.com or call 1-800-944-2904.

Copyright ©2008 BSH Home Appliances Corporation. All rights reserved. Bosch is a registered trademark of Robert Bosch GmbH.