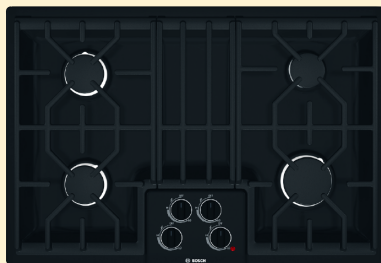


500 Series 30" Gas Cooktop NGM5064UC

Gas Cooktop Spec Sheet



NGM5064UC
Black

Features & Benefits

- **OPTISIM™** Burner Provides Excellent Simmering as Low as a 400 BTU Effect. Perfect for the Most Delicate Liquids and Sauces
- Deep Recessed Maintop Captures Boil Overs and Spills for Easy Clean-up
- Automatic Re-ignition
- Centralized Front Controls for Easy Use
- Low-profile Continuous Grates Provide a Versatile Platform to Work on, Optimizing use of Various Burner Sizes
- Newly Designed Maintop Conforms to the Bosch Family Design

| | |
|---------------------|---------------------------------|
| Product Name | 500 Series 4 Burner Gas Cooktop |
| Model Number | NGM5064UC |
| Color | Black |

| | |
|---------------------------|----------|
| Overall Dimensions | |
| Width | 31" |
| Depth | 21 1/4" |
| Height | 3 13/16" |

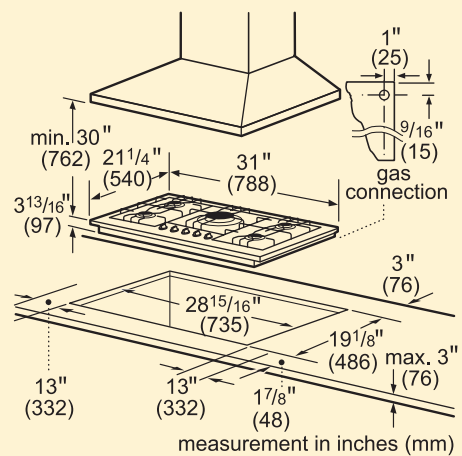
| | |
|---------------------------|-----------|
| Cut Out Dimensions | |
| Width | 28 15/16" |
| Depth | 19 1/8" |
| Height | 3 13/16" |

| | |
|-----------------------------|--------|
| Burner BTU (min/max) | |
| BTU - Left Front Burner | 10,000 |
| BTU - Left Rear Burner | 10,000 |
| BTU - Center Burner | |
| BTU - Right Rear Burner | 5,500 |
| BTU - Right Front Burner | 16,000 |
| Total BTUs Natural Gas | 41,500 |
| Total BTUs LP | 38,700 |

| | |
|--------------------------|---|
| Miscellaneous | |
| Power Required | 120 Volts, 3 Wire 60Hz Power Cord |
| Amps | 15 |
| Install. Above Oven | X |
| Sealed Burners | X |
| Automatic Re-ignition | X |
| POWERISIM® Burner | |
| OPTISIM Burner | Right Rear |
| Controls | Front Controls with Red Indicator Light |
| Knob Material | Plastic Knobs |
| Knob Color | Black with Nickel Bezel |

| | |
|--------------------|---------|
| Accessories | |
| NLP Conversion Kit | NEZ1054 |

Dimensions:



Gas Cooktop Warranty: 1 year parts and labor. Certain limitations apply. See Manufacturer's Limited Warranty for details.

For more information on our entire line of products, go to boschappliances.com or call 1-800-944-2904.

Copyright ©2008 BSH Home Appliances Corporation. All rights reserved. Bosch is a registered trademark of Robert Bosch GmbH.

6308-0062C Litho Date: 4/08