

NE59K3310SS

5.9 cu. ft. Freestanding Electric Range

Features

- Stainless Steel Edge Trim
- Flexible Cooktop – Five Electric Elements
 - One Dual Burner (9"/12")
 - One Single Burner (9")
 - Two Single Burners (6")
 - Warming Center (7")
- Large Oven Capacity – 5.9 cu. ft.
- Wide View Window
- Hidden Bake Element
- Storage Drawer
- Sabbath Mode
- 2 Standard Baking Racks

Convenience

- Steam Clean
- Hot Surface Indicator Light
- Auto Oven Light
- Kitchen Timer
- Delay Start
- Child Safety Lock



Flexible Cooktop



Large Capacity

Available Colors



Stainless Steel
(shown)



White



Black

Signature Features

STAINLESS STEEL EDGE TRIM

- Stainless Steel Edge design provides a premium look and a larger cooking space for greater flexibility when using multiple pots and pans.
- Provides great design and more cooking area for greater flexibility.

FLEXIBLE COOKTOP

- Flexible 5 element cooktop accommodates multiple pan sizes.
- 3000 Watt 12"/9" element allows for optimal placements for various pots and pans.

5.9 CU. FT. CAPACITY

- 5.9 cu. ft. large capacity oven allows you to cook multiple dishes at once or accommodate larger items.
- The large interior can easily accommodate a big roast, multiple casserole dishes or several racks of cookies.

SAMSUNG

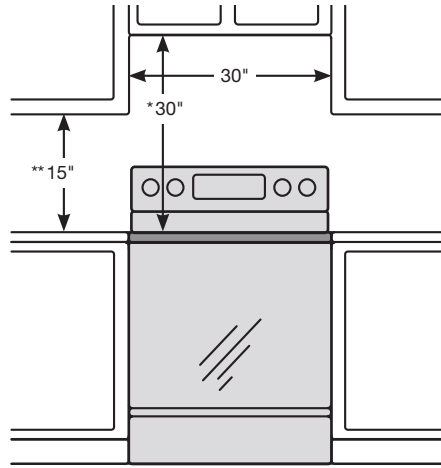
NE59K3310SS

5.9 cu. ft. Freestanding Electric Range

Installing Your Range

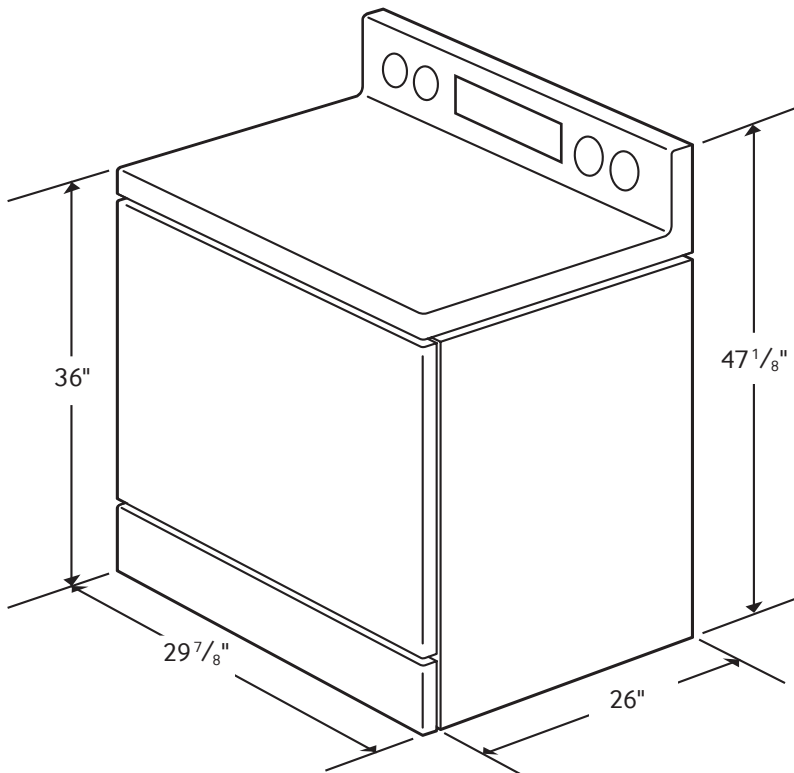
*30" minimum clearance between the top of the cooking surface and the bottom of an unprotected wood or metal cabinet; or 24" minimum when the bottom of the wood or metal cabinet is protected by not less than 1/4" flame-retardant millboard covered with not less than no. 28 MSG sheet steel, 0.015" stainless steel, 0.024" aluminum or 0.020" copper.

**15" minimum between the countertop and the adjacent cabinet bottom.



IMPORTANT: To eliminate the risk of burns or fire caused by reaching over heated surface units, cabinet storage space located above the surface units should be avoided. If cabinet storage is to be provided, the risk can be reduced by installing a range hood that projects horizontally a minimum of 5" beyond the bottom of the cabinets.

Dimensions



Radiant Ceramic Cooktop

- Right Front: 9/12", 3.0kW
- Left Front: Radiant 9", 2.5kW
- Right Rear: Radiant 6", 1.2kW
- Left Rear: Radiant 6", 1.2kW
- Center Rear: Warming Center, 7"

Oven

- Capacity: 5.9 cu. ft.
- Hidden Bake Element: 2400W
- Bake: 175°F–550°F
- Broil: Low/High
- Sabbath Mode

Storage Drawer

Capacity: 1.4 cu. ft.

Warranty

One (1) Year All Parts and Labor
Five (5) Years Electric Cooktop

Product Dimensions & Weight (WxHxD)

Outside Net Dimensions:

29⁷/₈" x 47¹/₈" x 26"

Weight: 141.5 lbs.

140.7 (White and Black Model)

Shipping Dimensions & Weight (WxHxD)

Dimensions:

33¹/₁₆" x 50⁷/₁₆" x 30⁵/₁₆"

Weight: 165.8 lbs.

164.9 (White and Black Model)

Color	Model #	UPC Code
Stainless Steel	NE59K3310SS	887276130934
White	NE59K3310SW	887276130958
Black	NE59K3310SB	887276130927

SAMSUNG

Actual color may vary. Design, specifications, and color availability are subject to change without notice. Non-metric weights and measurements are approximate.

©2016 Samsung Electronics America, Inc. 85 Challenger Road, Ridgefield Park, NJ 07660. Tel: 800-SAMSUNG. samsung.com. Samsung is a registered trademark of Samsung Electronics Co. Ltd.